



US00D631003S

(12) **United States Design Patent**
Stover et al.

(10) **Patent No.:** **US D631,003 S**
(45) **Date of Patent:** **** Jan. 18, 2011**

(54) **TELESCOPING VALVE STEM EXTENSION**

D624,010 S * 9/2010 Tournier D12/606

(76) Inventors: **Jerry L. Stover**, 614 W. Apache,
Marlow, OK (US) 73055; **Mickie L. Stover**, 614 W. Apache, Marlow, OK
(US) 73055

* cited by examiner

Primary Examiner—Stacia Cadmus
(74) *Attorney, Agent, or Firm*—Tomlinson Rust McKinstry
Grable

(**) Term: **14 Years**

(57) **CLAIM**

(21) Appl. No.: **29/375,240**

The ornamental design for a telescoping valve stem extension,
as shown and described.

(22) Filed: **Sep. 20, 2010**

(51) **LOC (9) Cl.** **12-15**

DESCRIPTION

(52) **U.S. Cl.** **D12/606**

FIG. 1 is a top right perspective view of a telescoping valve stem extension showing our new design;

(58) **Field of Classification Search** D12/606-607;
137/223, 226, 230, 234; 152/427, 429, 415;
D23/233, 235; 251/366, 903; 206/302; 73/48
See application file for complete search history.

FIG. 2 is a top view thereof;

FIG. 3 is a bottom view thereof;

FIG. 4 is a front view thereof;

FIG. 5 is a side view thereof; and,

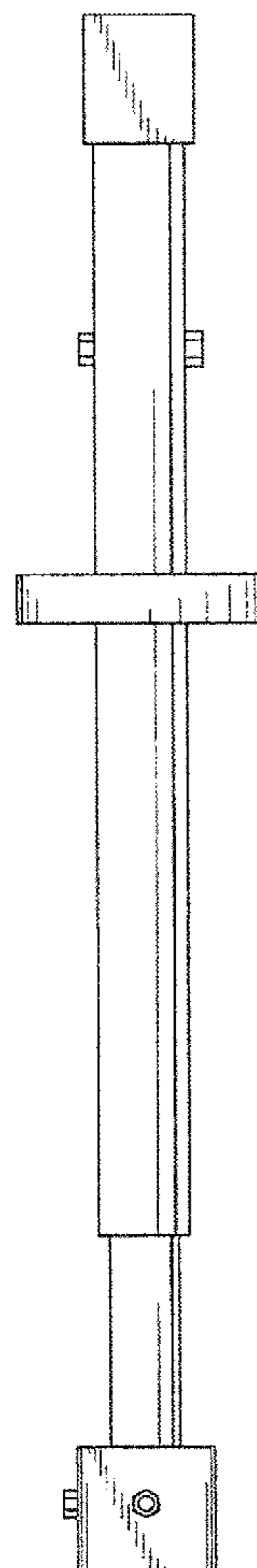
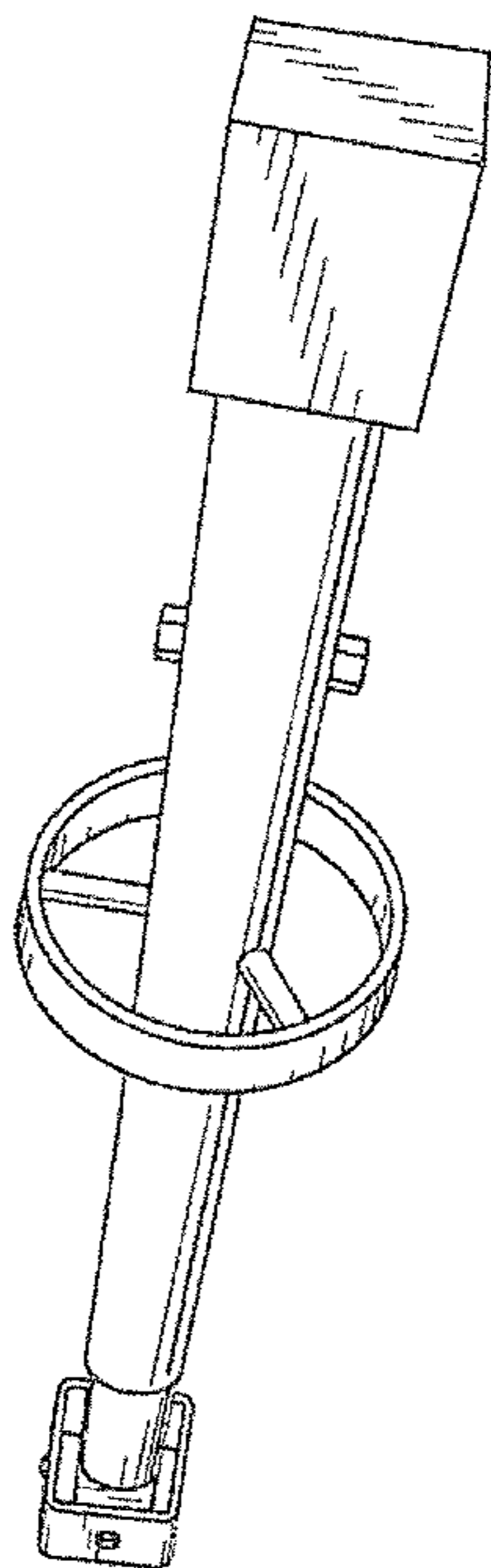
FIG. 6 is a second embodiment of the drawing of FIG. 1.

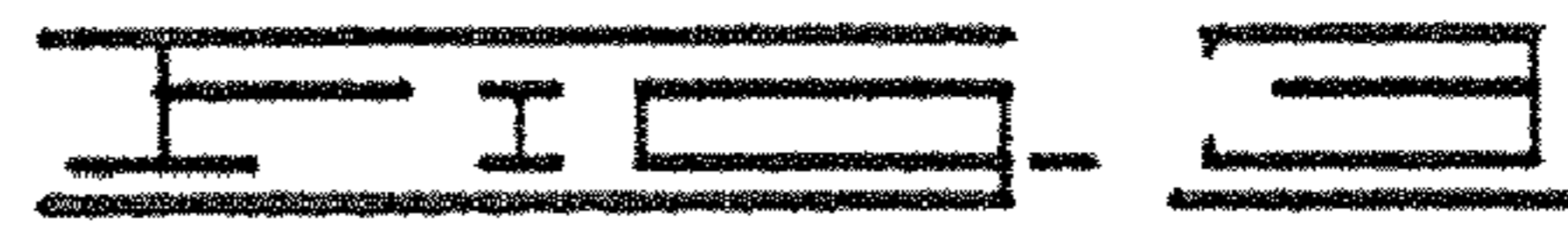
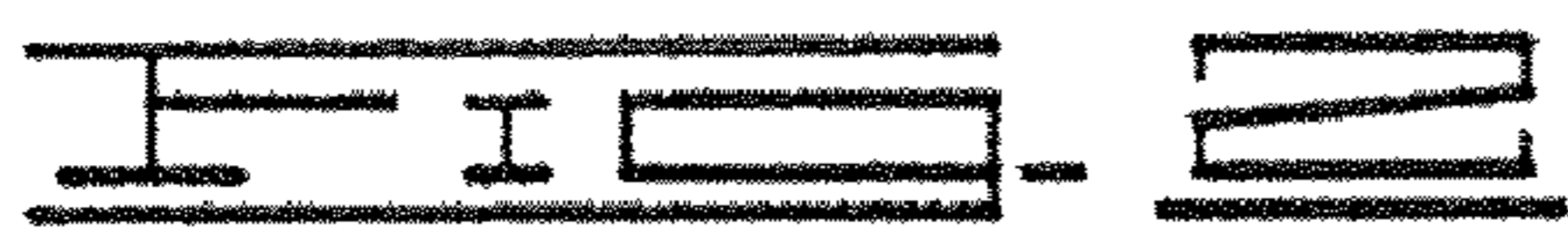
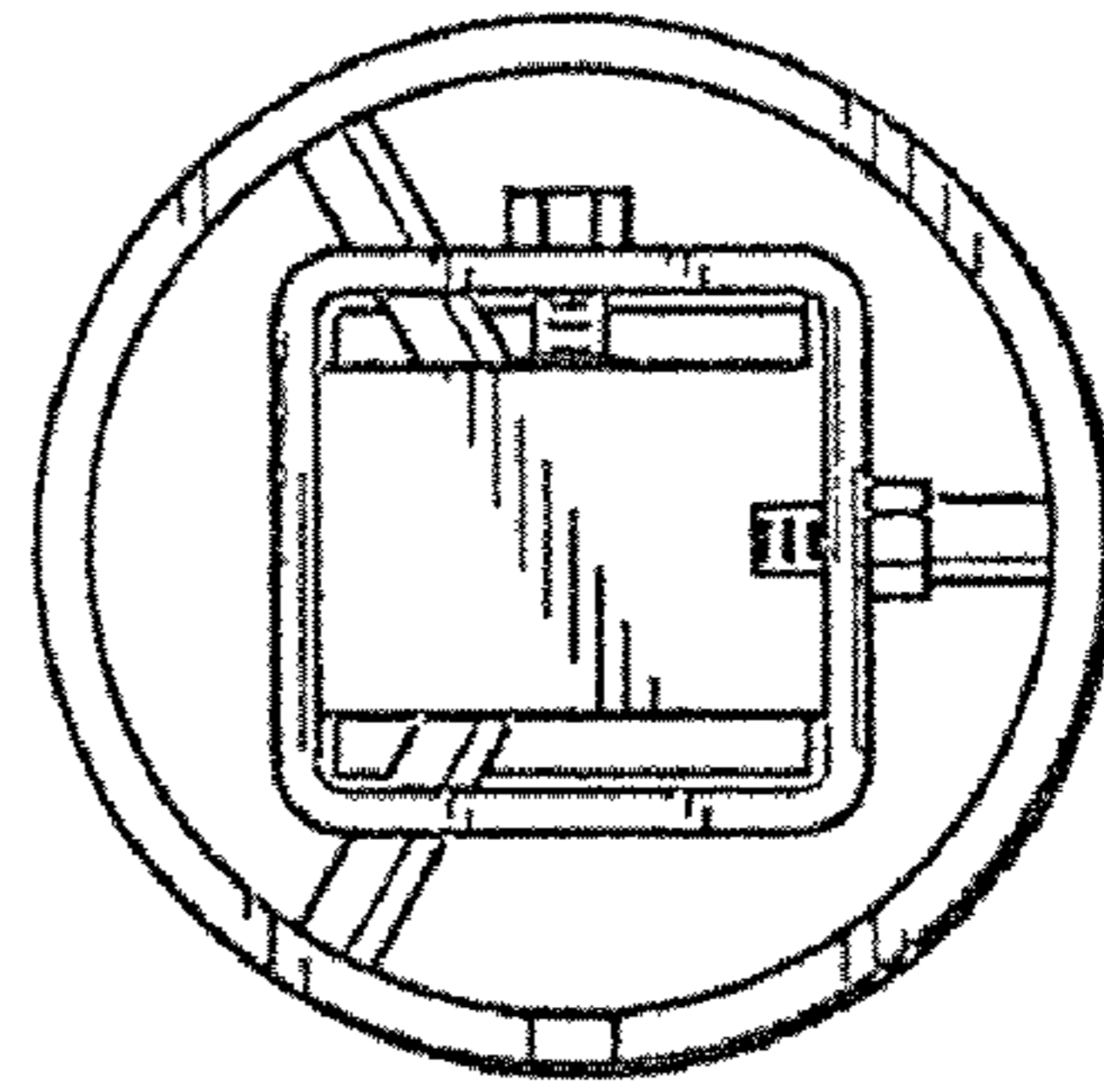
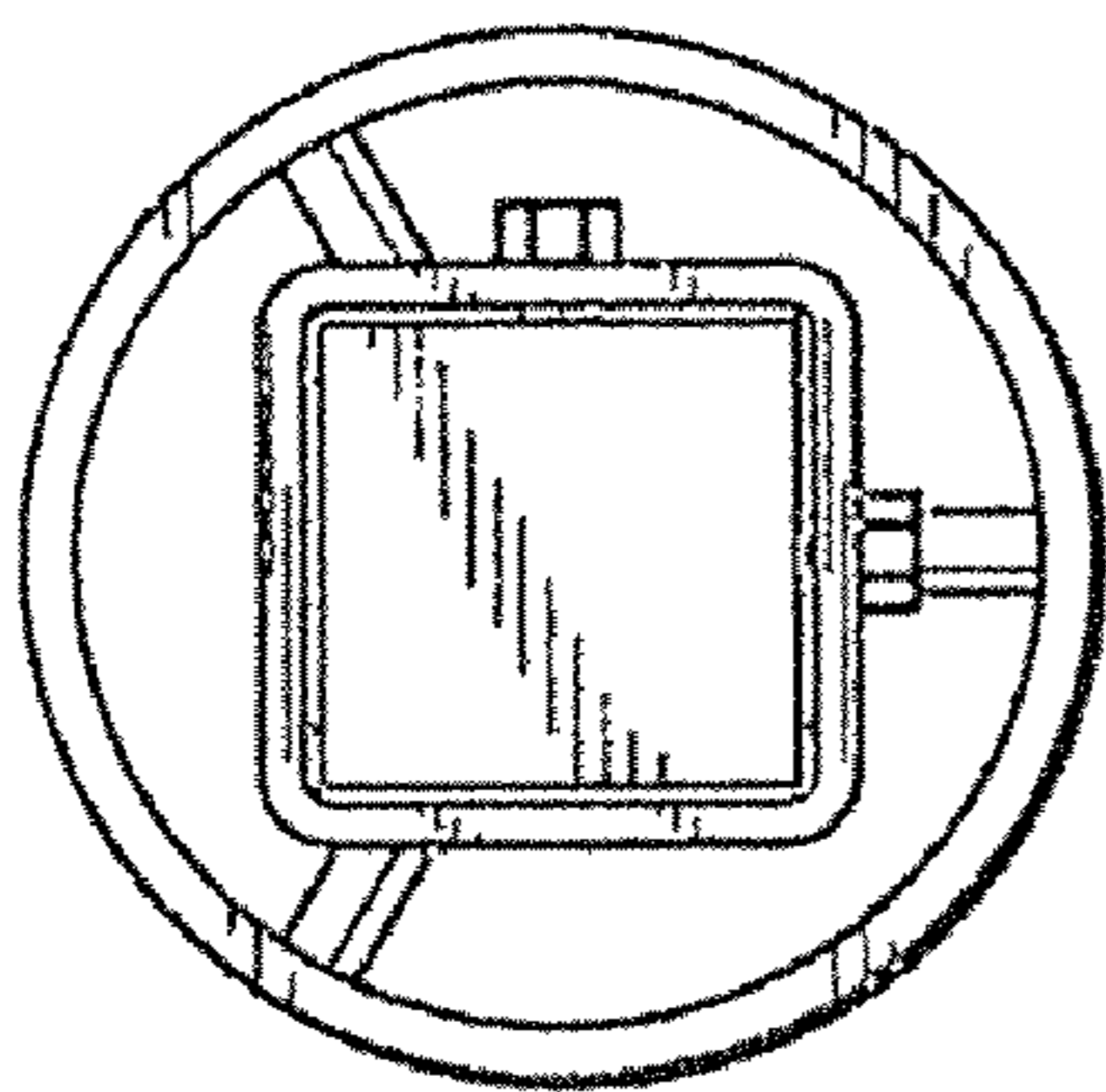
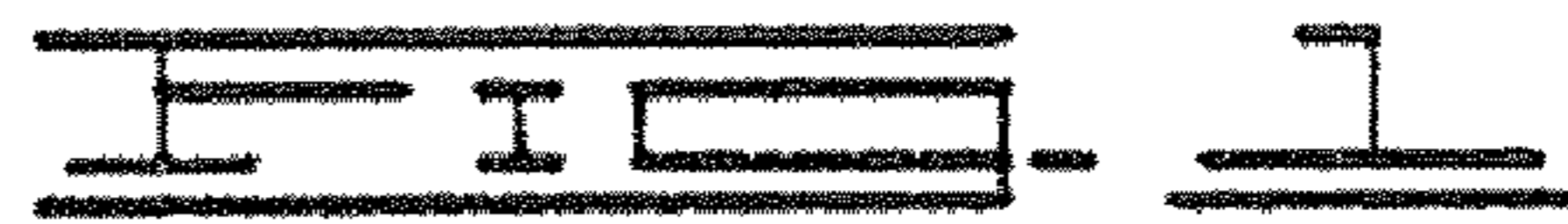
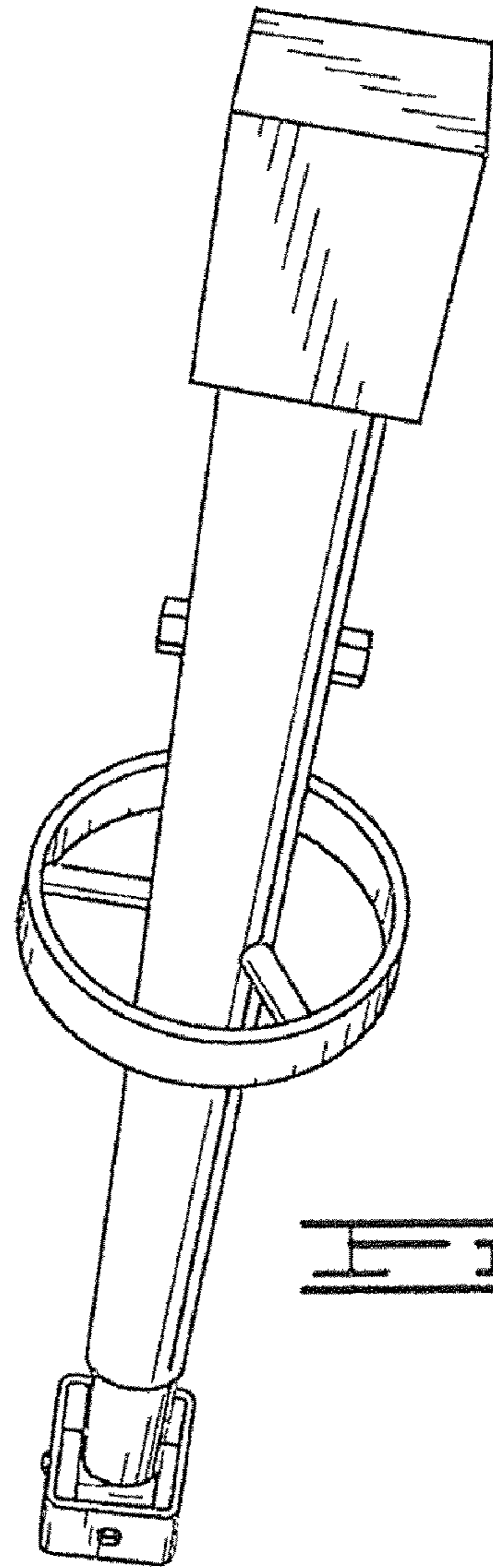
(56) **References Cited**

U.S. PATENT DOCUMENTS

D243,391 S * 2/1977 Schmidt D12/606
D441,053 S * 4/2001 Fan D23/233

1 Claim, 3 Drawing Sheets





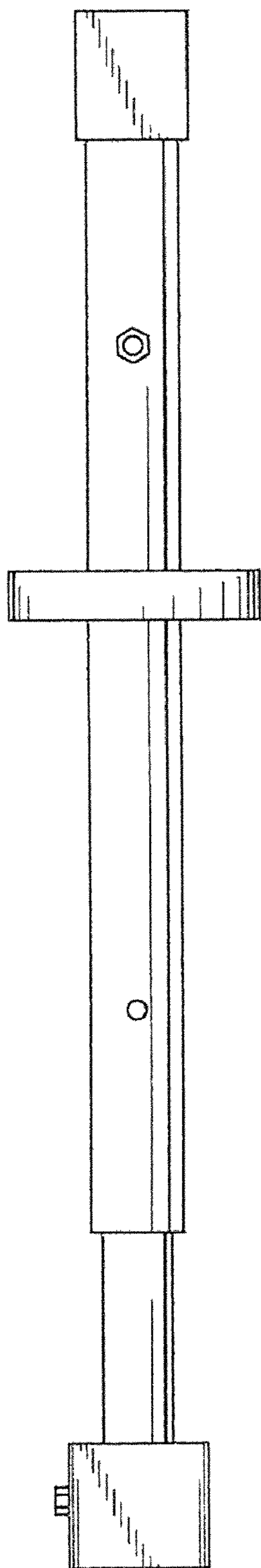


FIG. 4

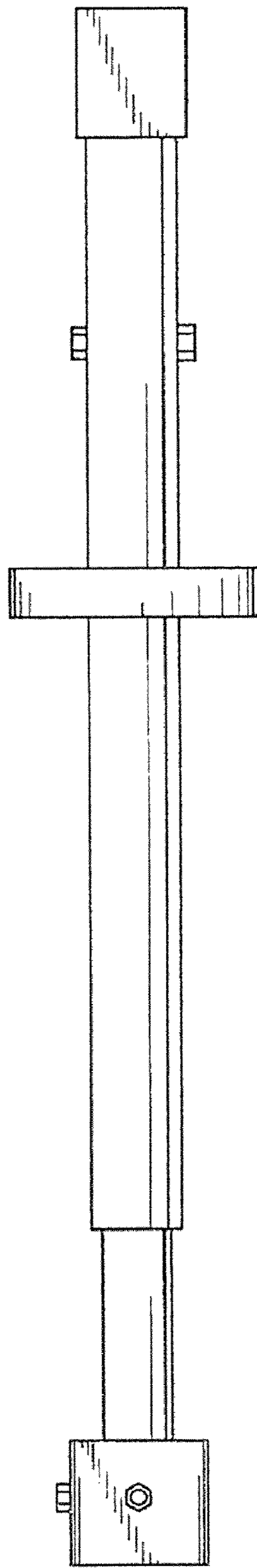


FIG. 5

