



US00D630999S

(12) **United States Design Patent**
Osaka

(10) **Patent No.:** **US D630,999 S**
(45) **Date of Patent:** **** *Jan. 18, 2011**

(54) **TIRE**

D548,172 S 8/2007 Dixon et al.

(75) Inventor: **Kazuko Osaka**, Osaka (JP)

(Continued)

(73) Assignee: **Toyo Tire & Rubber Co., Ltd.**, Osaka (JP)

OTHER PUBLICATIONS

U.S. Appl. No. 29/334,691, Osaka, Tire, filed Mar. 31, 2009.

(*) Notice: This patent is subject to a terminal disclaimer.

(Continued)

(**) Term: **14 Years**

Primary Examiner—Caron Veynar

Assistant Examiner—George D Kirschbaum

(21) Appl. No.: **29/334,698**

(74) *Attorney, Agent, or Firm*—Sterne Kessler Goldstein & Fox PLLC

(22) Filed: **Mar. 31, 2009**

(57) **CLAIM**

(30) **Foreign Application Priority Data**

The ornamental design for a tire, as shown and described.

Feb. 9, 2009 (JP) 2009-002607

(51) **LOC (9) Cl.** **12-15**

DESCRIPTION

(52) **U.S. Cl.** **D12/600**

(58) **Field of Classification Search** D12/568–603;
152/209.1, 209.5, 209.8, 209.12, 209.18,
152/209.21, 209.9

FIG. 1 is a perspective view of a tire showing my new design;

FIG. 2 is a front view thereof;

FIG. 3 is a rear view thereof;

FIG. 4 is a right side view thereof;

FIG. 5 is a left side view thereof;

FIG. 6 is a top plan view thereof, for which the bottom plan view is a mirror image;

FIG. 7 is an enlarged sectional view of the intersection of areas 7—7 in FIGS. 1 and 7'—7' in FIG. 4;

FIG. 8 is an enlarged sectional view taken along line 8—8 in FIG. 2; and,

FIG. 9 is an enlarged cross-sectional view taken along line 7'—7' in FIG. 4 and line 9—9 in FIG. 8.

In the drawings, the broken lines defining the sidewall, and inner bead depict environmental subject matter that forms no part of the claimed design.

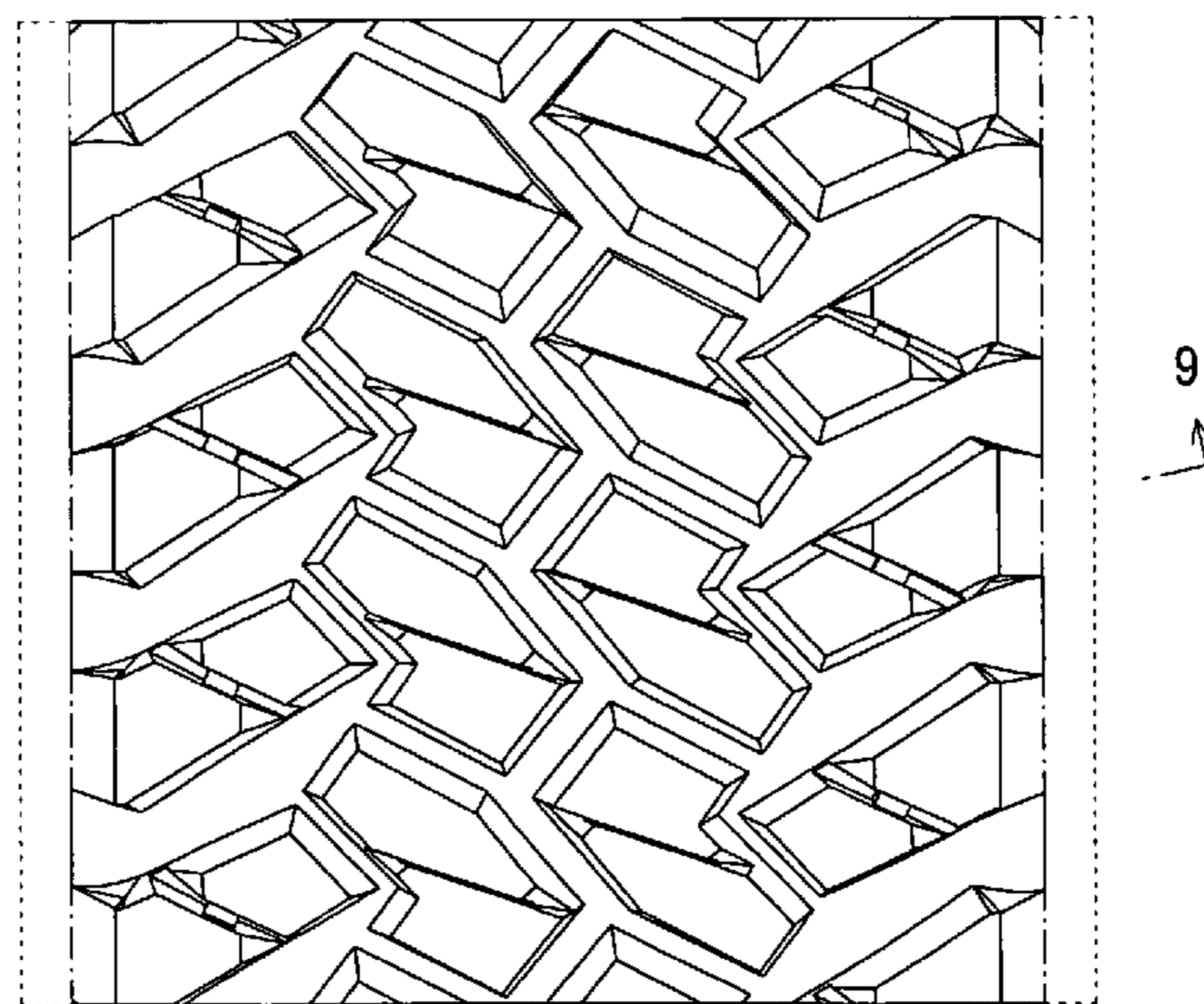
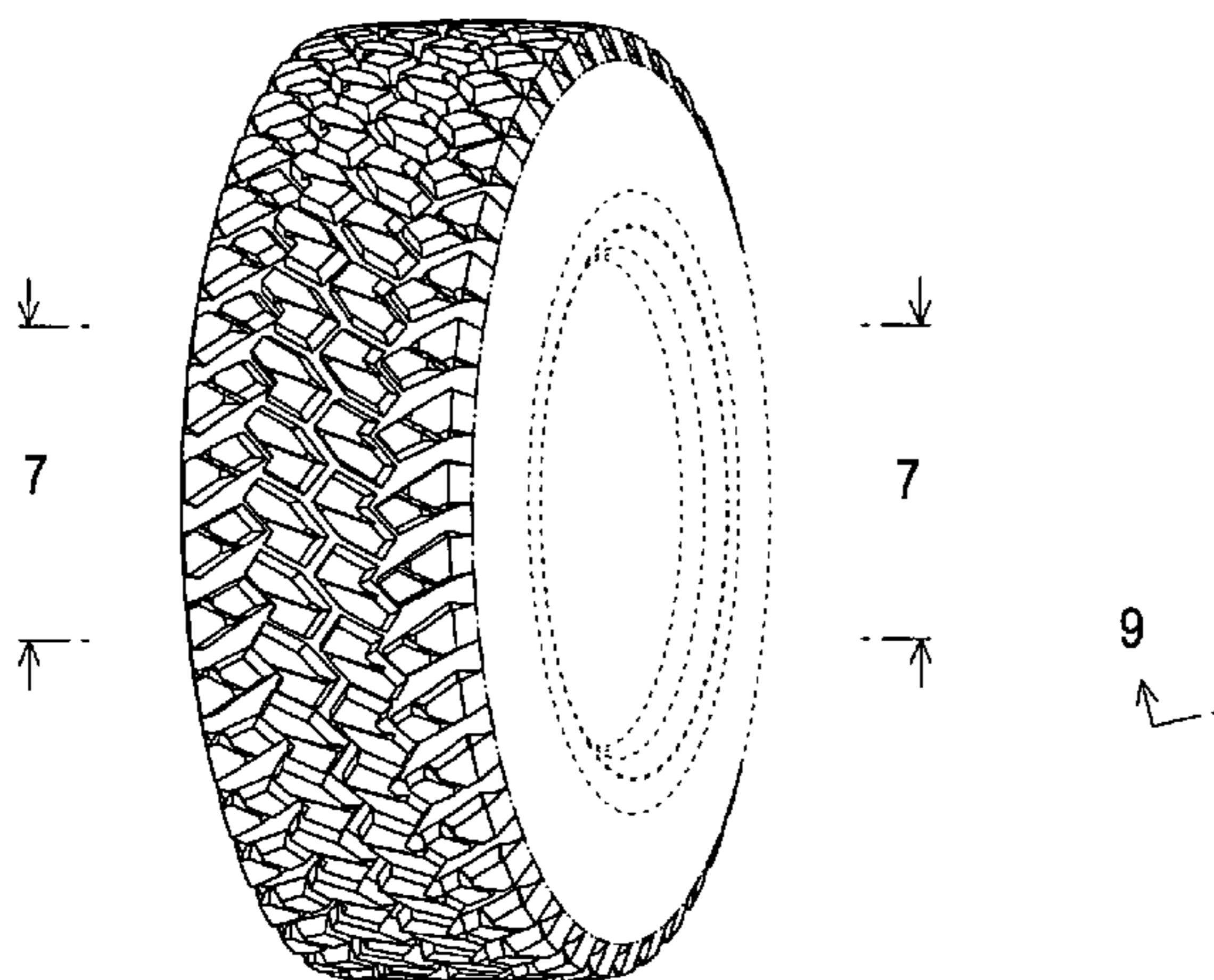
See application file for complete search history.

(56) **References Cited**

U.S. PATENT DOCUMENTS

D337,978 S	8/1993	Himuro et al.	
D414,727 S	10/1999	Brown et al.	
D430,832 S	9/2000	Edwards	
D444,426 S	7/2001	Marazzi et al.	
D447,447 S	9/2001	Guspodin et al.	
D450,273 S	11/2001	Guspodin et al.	
D453,311 S	2/2002	Guspodin et al.	
D455,117 S	4/2002	Guspodin et al.	
D457,486 S	5/2002	Guspodin et al.	
D487,056 S	2/2004	Rooney et al.	
6,920,906 B2 *	7/2005	Allison et al.	152/209.16
D530,265 S	10/2006	Hutz et al.	
D530,266 S	10/2006	Hutz et al.	

1 Claim, 5 Drawing Sheets



US D630,999 S

Page 2

U.S. PATENT DOCUMENTS

D556,124 S 11/2007 Thum et al.
D556,673 S 12/2007 Missik-Gaffney et al.
D556,674 S 12/2007 Missik-Gaffney et al.
D567,750 S 4/2008 Dixon
D578,957 S 10/2008 Bonko et al.
D580,347 S 11/2008 Lo

D593,485 S * 6/2009 Davidson et al. D12/579

OTHER PUBLICATIONS

U.S. Appl. No. 29/334,695, Osaka, Tire, filed Mar. 31, 2009.
U.S. Appl. No. 29/334,700, Osaka, Tire, filed Mar. 31, 2009.

* cited by examiner

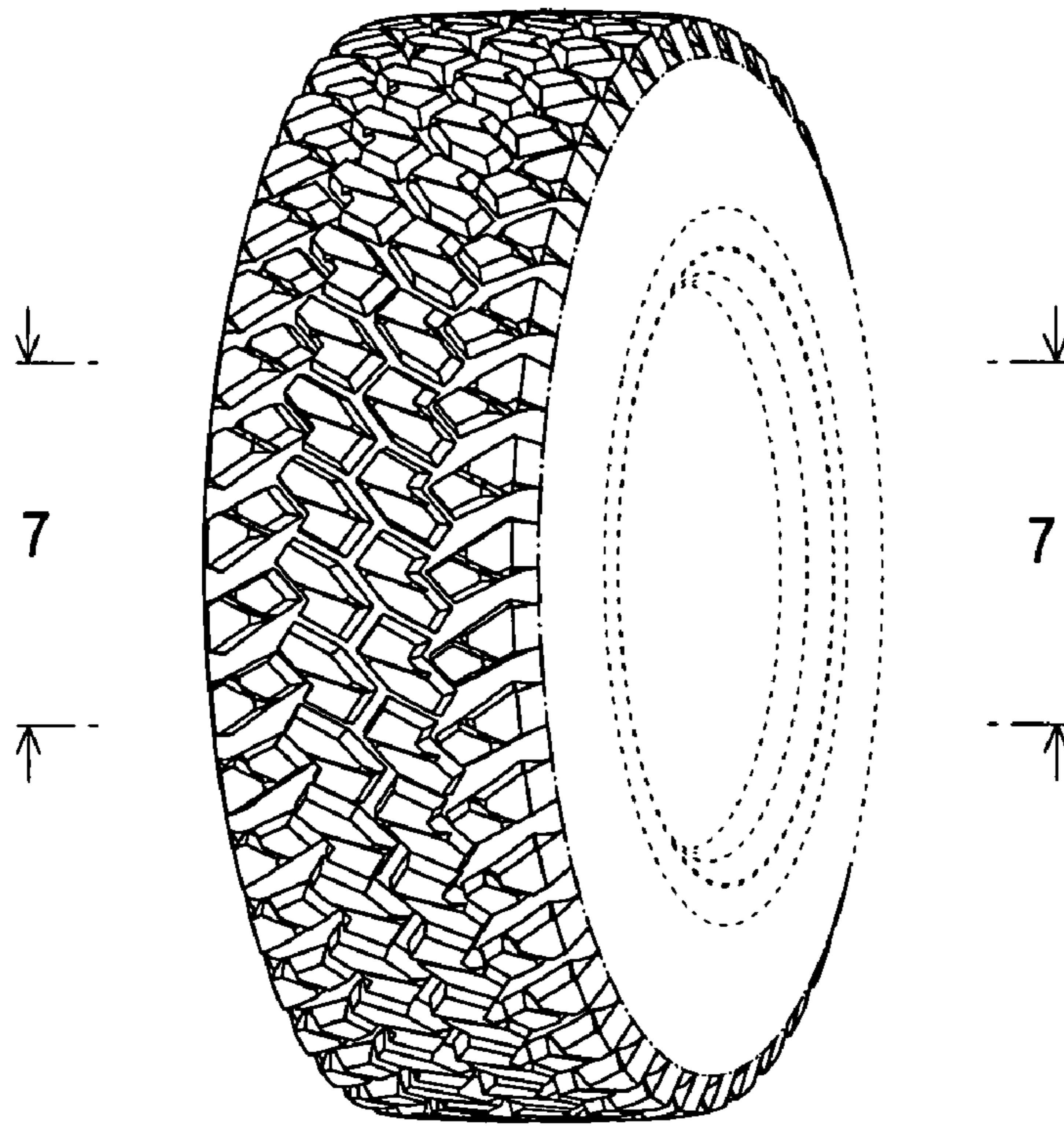


FIGURE 1

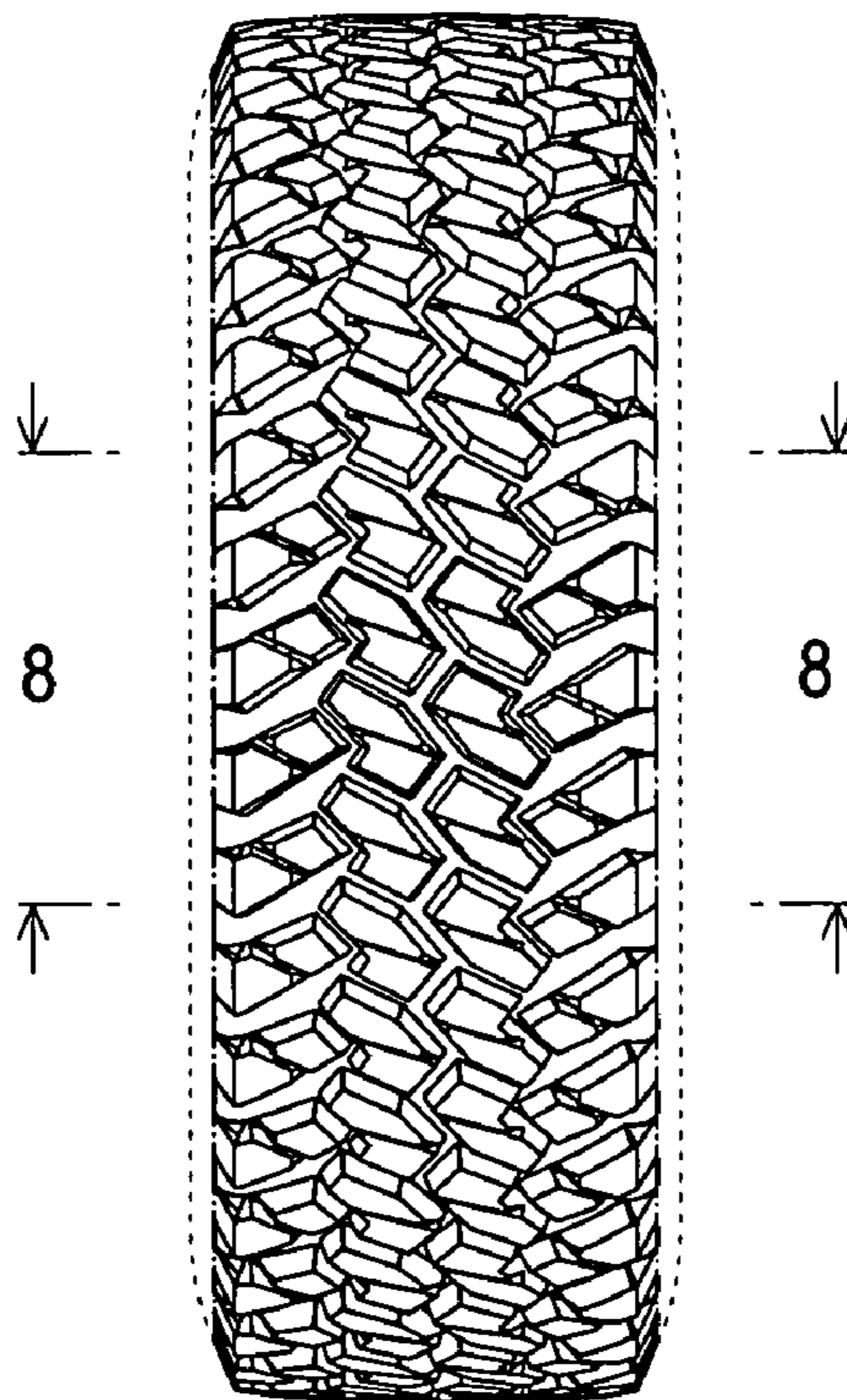


FIGURE 2

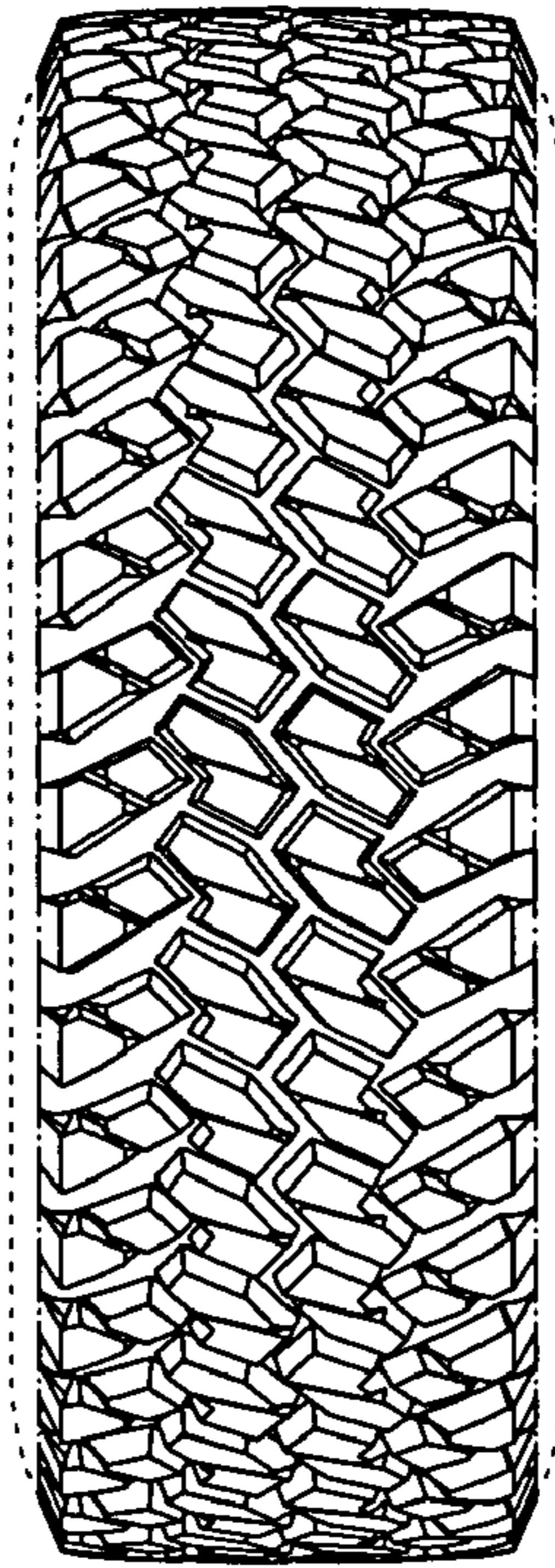


FIGURE 3

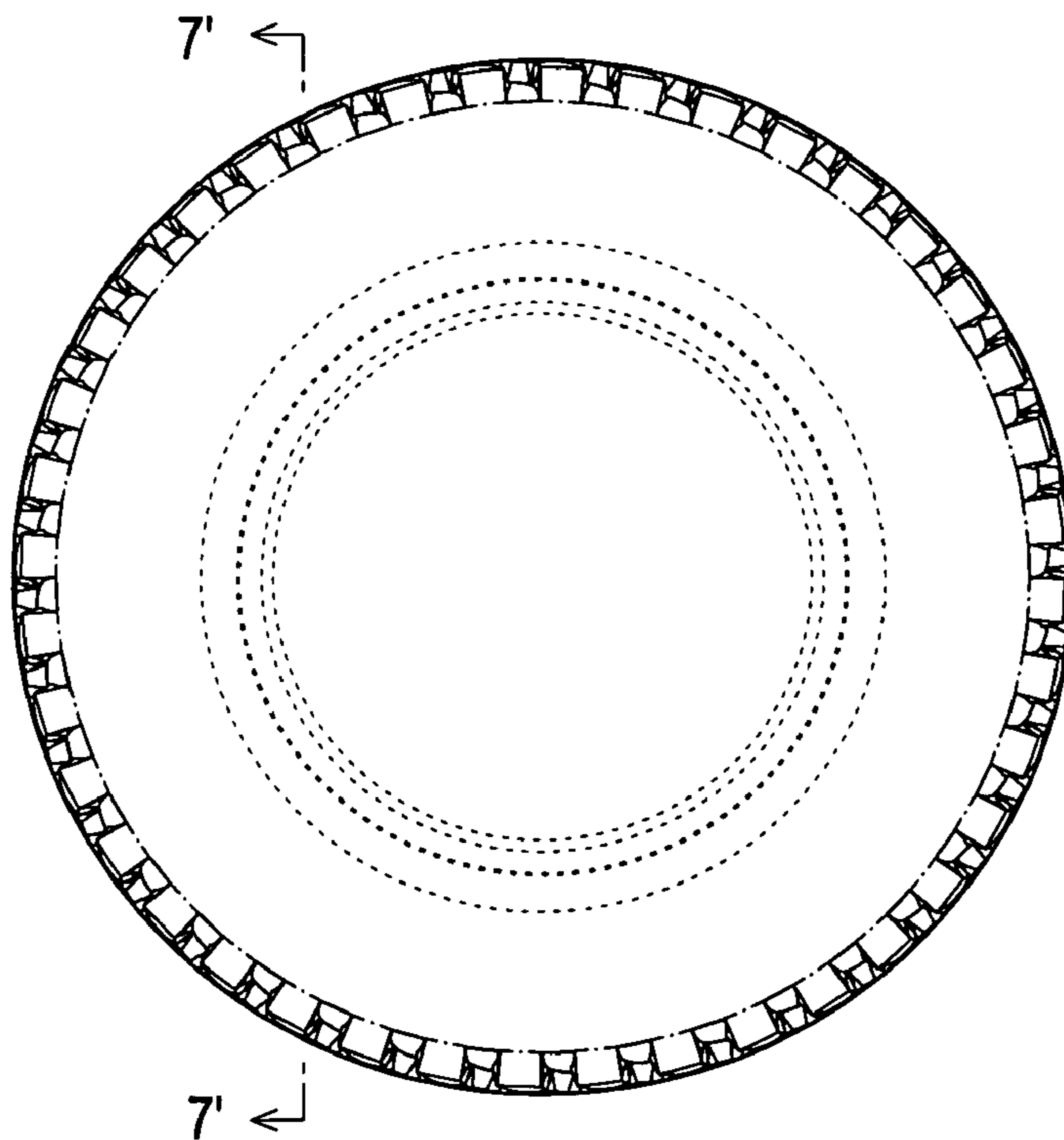


FIGURE 4

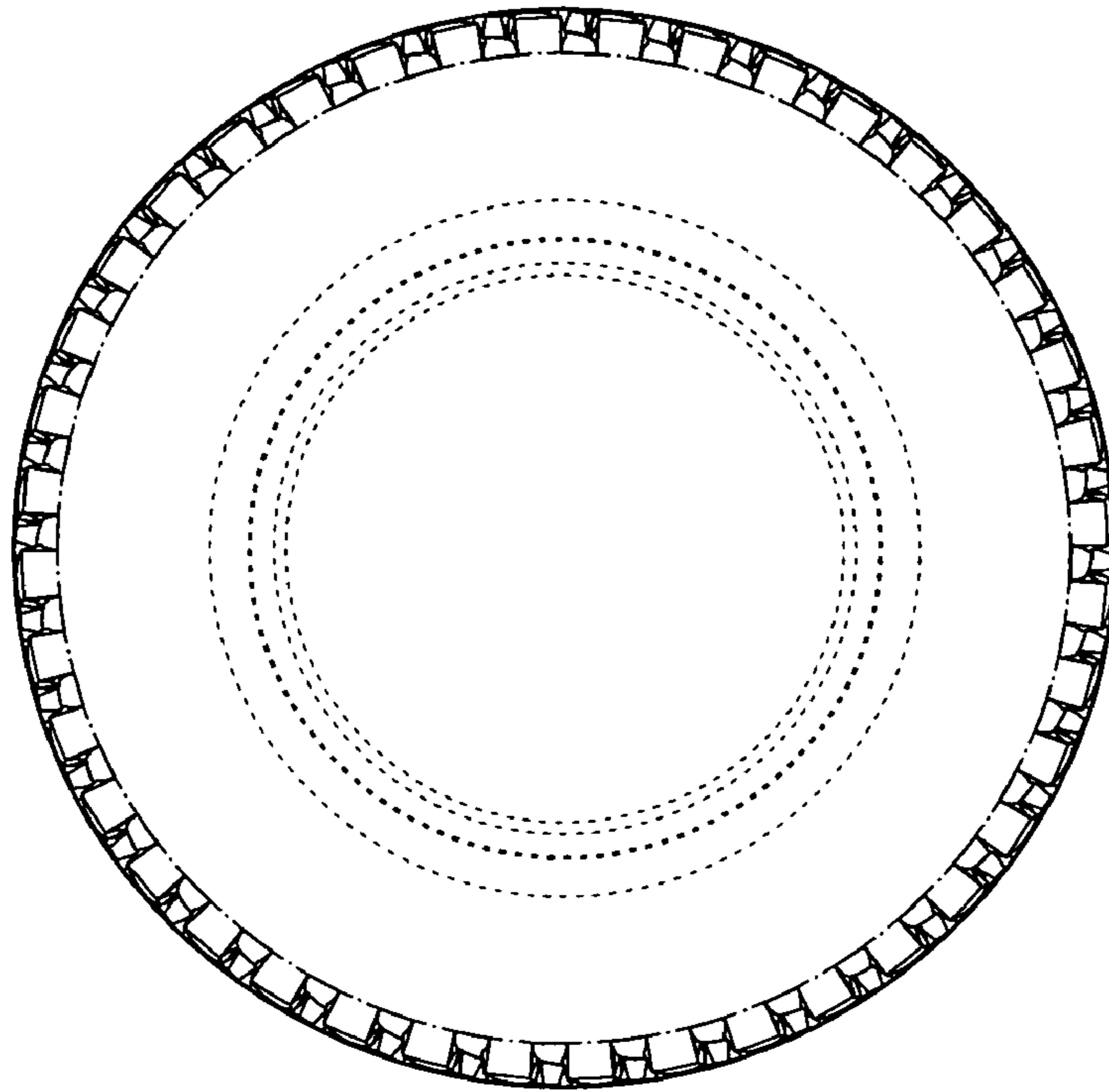


FIGURE 5

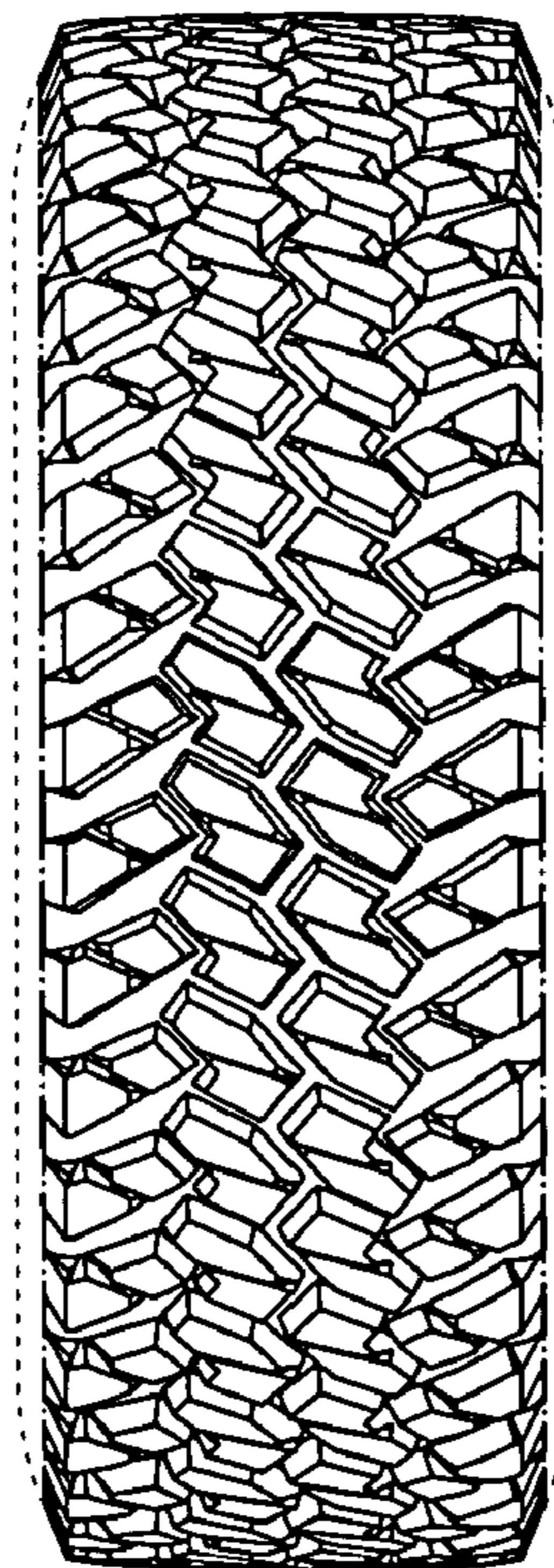


FIGURE 6

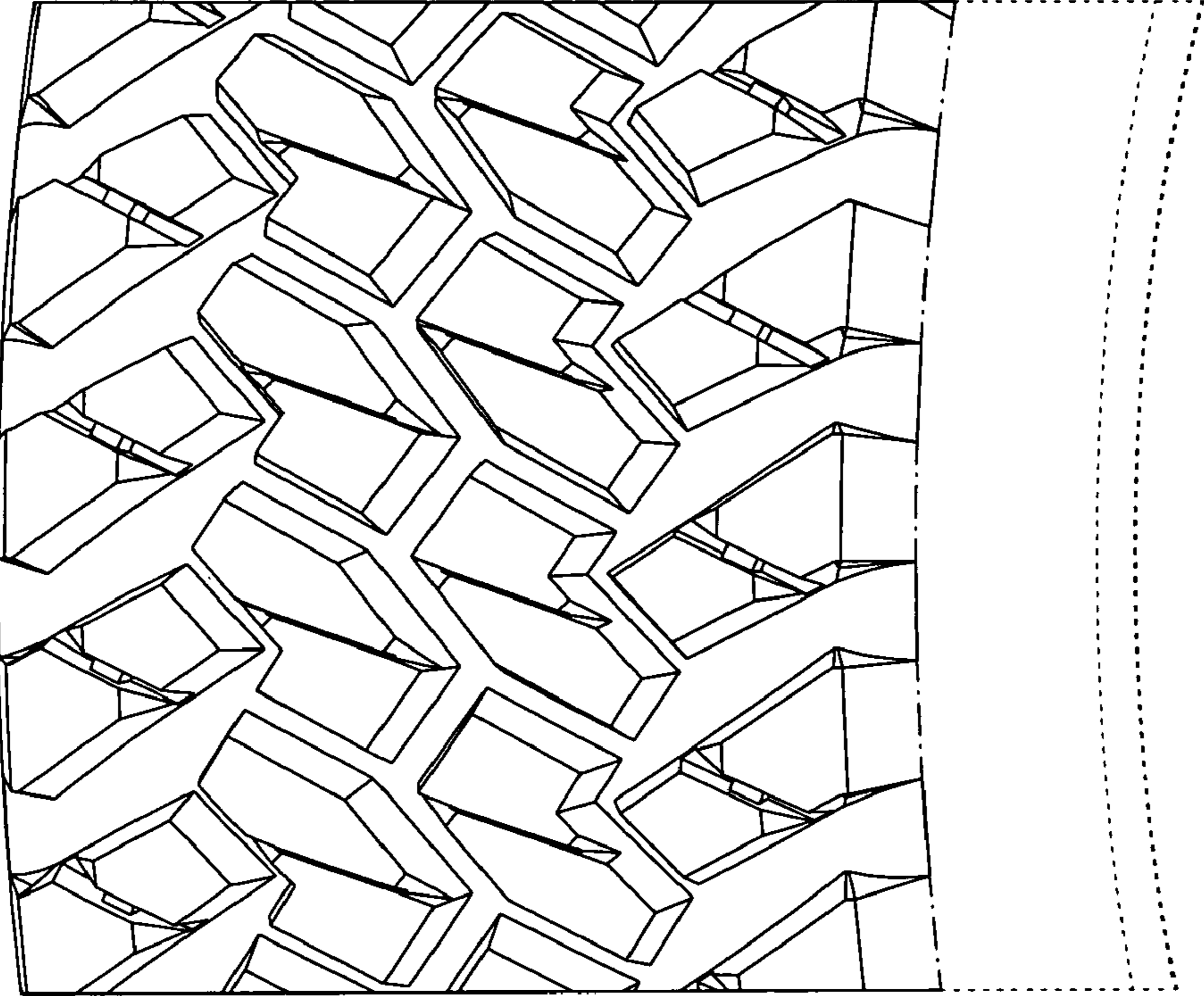


FIGURE 7

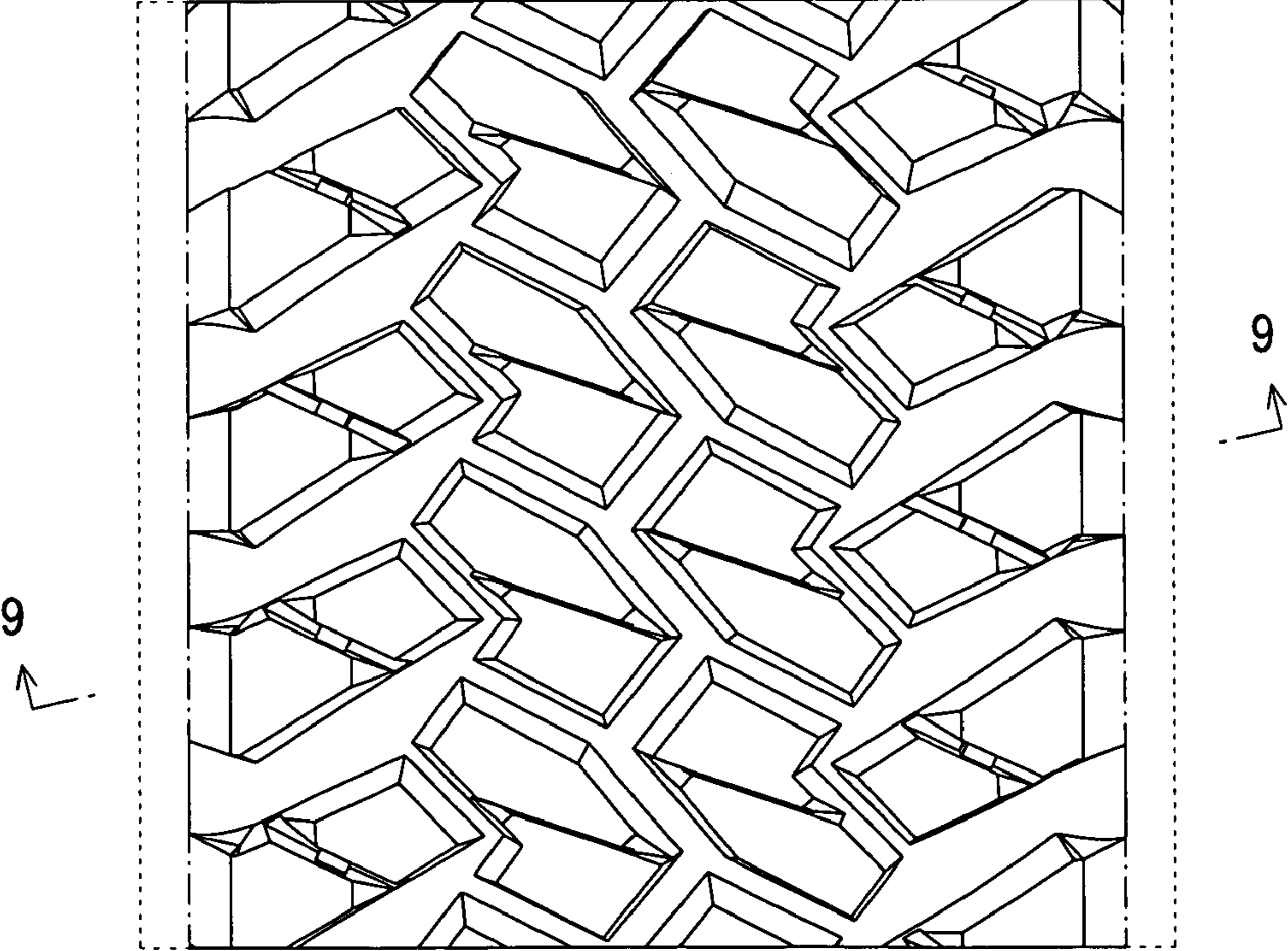


FIGURE 8

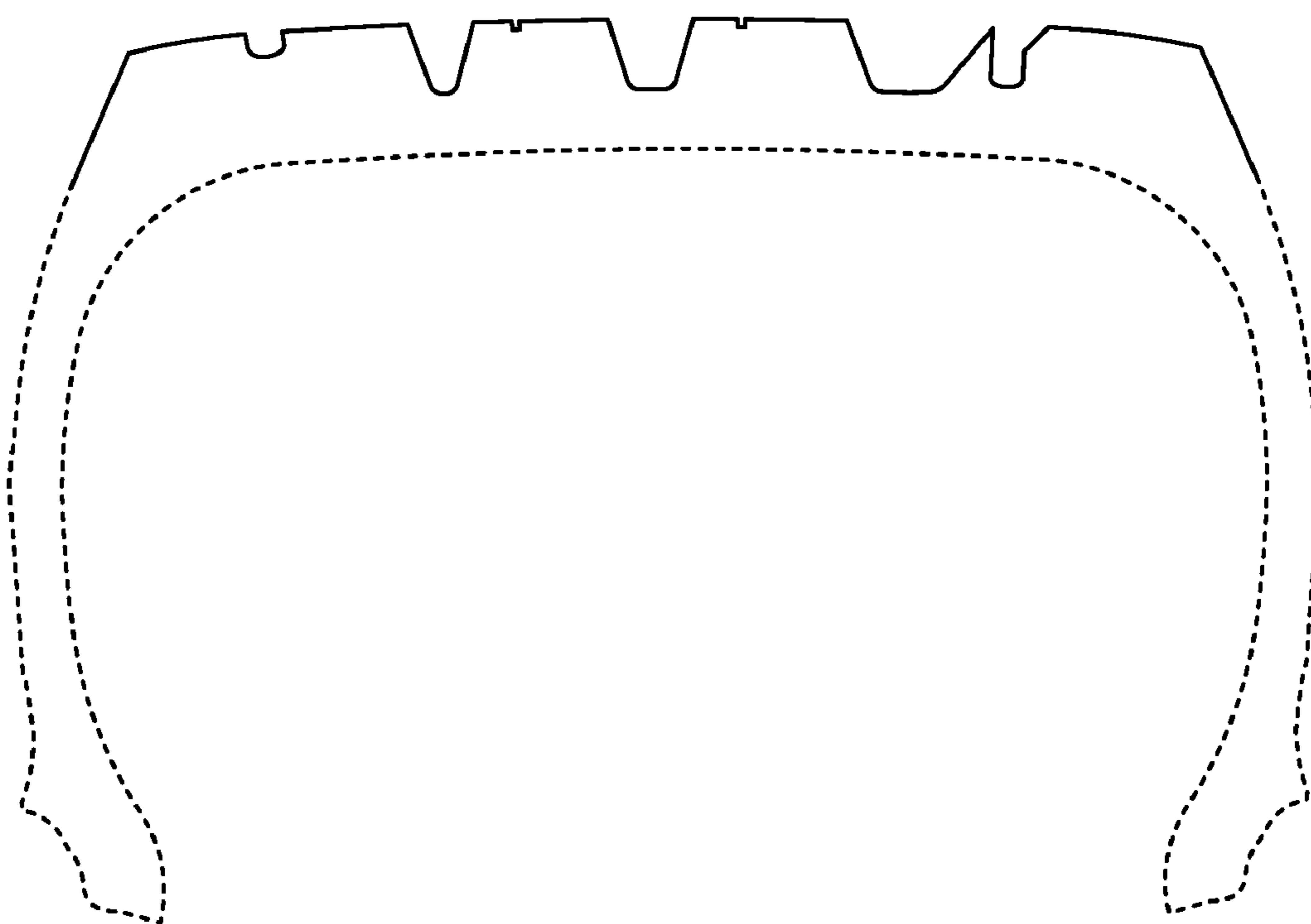


FIGURE 9