



US00D630998S

(12) **United States Design Patent**  
**Schmalix et al.**

(10) **Patent No.:** **US D630,998 S**  
(45) **Date of Patent:** **\*\* Jan. 18, 2011**

(54) **TIRE**  
(75) Inventors: **Charles Kenneth Schmalix**, Canal  
Fulton, OH (US); **Daniel Ray Beha**,  
Akron, OH (US); **Eric Jon Berryman**,  
Cuyahoga Falls, OH (US); **John Joseph**  
**Kantura, III**, Hiram, OH (US)

(73) Assignee: **The Goodyear Tire & Rubber**  
**Company**, Akron, OH (US)

(\*\*) Term: **14 Years**

(21) Appl. No.: **29/369,324**

(22) Filed: **Sep. 7, 2010**

(51) **LOC (9) Cl.** ..... **12-15**  
(52) **U.S. Cl.** ..... **D12/519**  
(58) **Field of Classification Search** ..... D12/500–532,  
D12/900; 152/209.1, 209.8–209.19, 209.25–209.28  
See application file for complete search history.

(56) **References Cited**

**U.S. PATENT DOCUMENTS**

D447,097 S *	8/2001	Graas et al.	.....	D12/523
D451,440 S	12/2001	Weber	.....	D12/146
D451,441 S	12/2001	Weber	.....	D12/146
D453,729 S	2/2002	Demagall et al.	.....	D12/523
D524,234 S	7/2006	Schmalix et al.	.....	D12/521
D531,116 S	10/2006	Heinen et al.	.....	D12/590
D544,431 S	6/2007	Graas et al.	.....	D12/532
D557,195 S	12/2007	Fontaine et al.	.....	D12/524
D558,126 S	12/2007	Shavers et al.	.....	D12/519
D558,127 S	12/2007	Shavers et al.	.....	D12/519
D559,767 S	1/2008	Graas et al.	.....	D12/521
D574,316 S	8/2008	Neidert et al.	.....	D12/514
D577,655 S	9/2008	Heinen	.....	D12/521
D578,955 S	10/2008	Fontaine et al.	.....	D12/524
D579,855 S	11/2008	Fontaine et al.	.....	D12/521
D583,302 S	12/2008	Shavers et al.	.....	D12/518
D586,725 S	2/2009	Fontaine et al.	.....	D12/519
D597,474 S	8/2009	Yamakawa et al.	.....	D12/519
D599,276 S *	9/2009	Fontaine et al.	.....	D12/519

D601,079 S	9/2009	Hughes et al.	.....	D12/521
D601,485 S	10/2009	Hughes et al.	.....	D12/521
D601,939 S *	10/2009	Fontaine et al.	.....	D12/519
D601,940 S	10/2009	Hughes et al.	.....	D12/521
D606,002 S *	12/2009	Yamakawa et al.	.....	D12/519
D607,809 S	1/2010	Fontaine et al.	.....	D12/523
D612,321 S *	3/2010	Bott et al.	.....	D12/519
D619,080 S *	7/2010	Woidtke et al.	.....	D12/519
D624,007 S *	9/2010	Metz	.....	D12/519

\* cited by examiner

*Primary Examiner*—Stacia Cadmus

(74) *Attorney, Agent, or Firm*—Richard B. O’Planick

(57) **CLAIM**

The ornamental design for a tire, as shown and described.

**DESCRIPTION**

FIG. 1 is a perspective view of a tire showing our new design, it being understood that the pattern repeats uniformly throughout the circumference of the tread;

FIG. 2 is a front elevational view thereof;

FIG. 3 is a right side elevational view thereof;

FIG. 4 is a left side elevational view thereof;

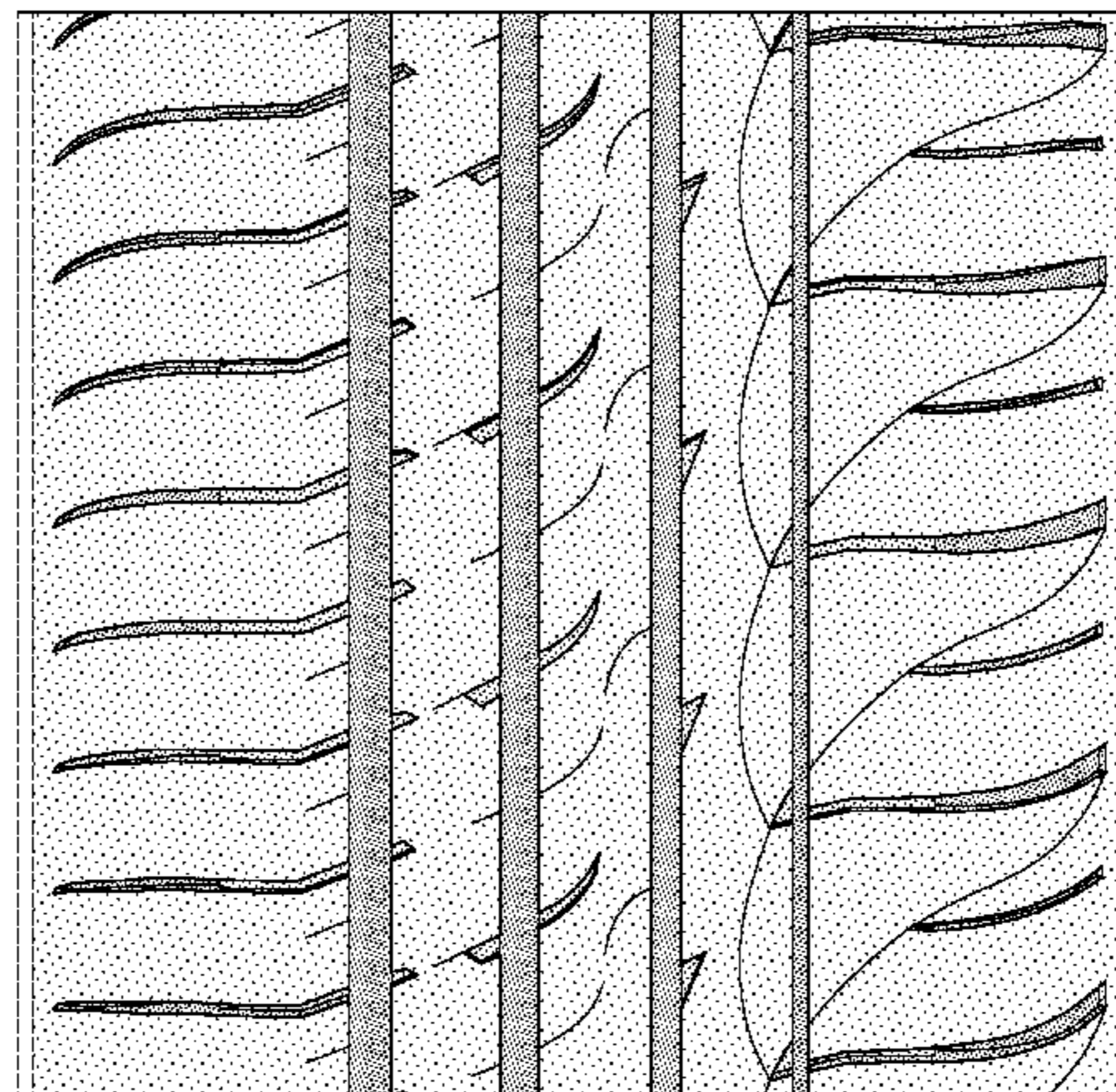
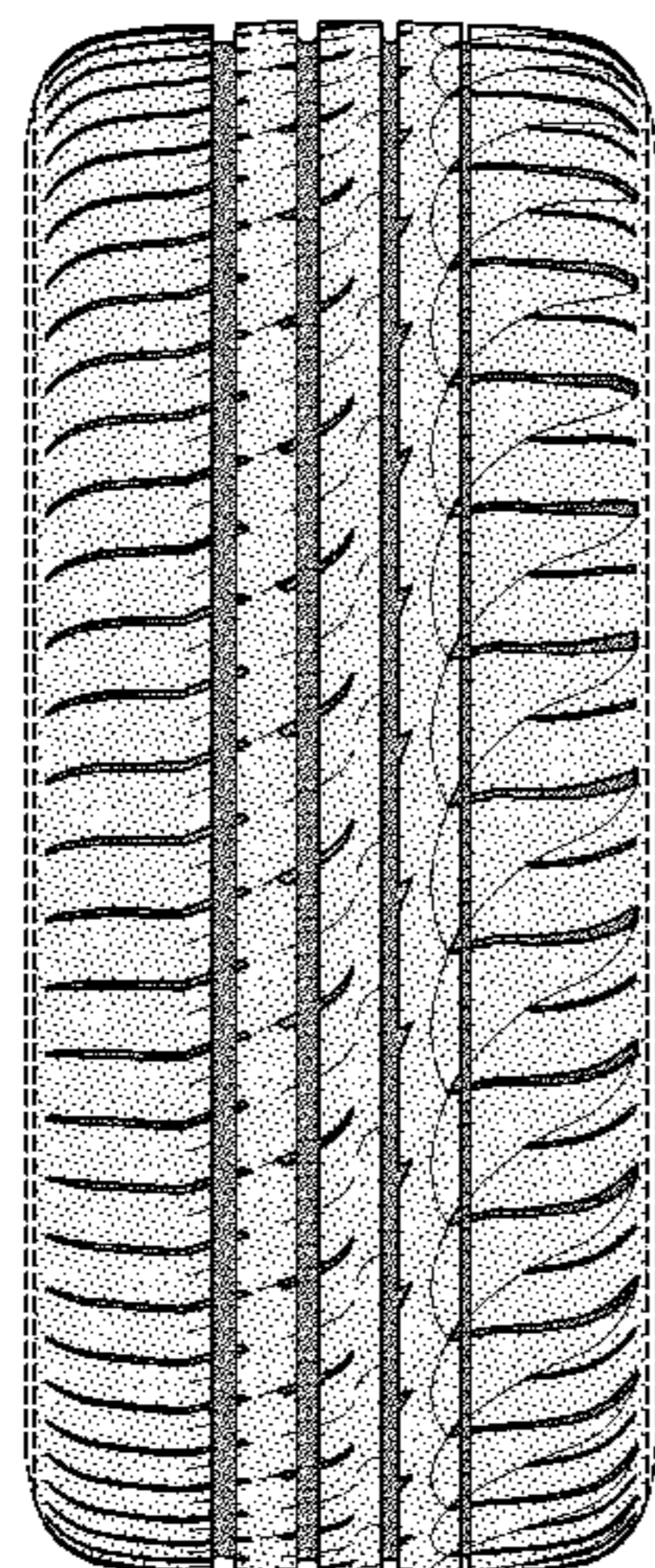
FIG. 5 is an enlarged fragmentary front elevational view thereof;

FIG. 6 is a perspective view of a second embodiment of a tire showing our new design, it being understood that the pattern repeats uniformly throughout the circumference of the tread; and,

FIG. 7 is a front elevational view of a second embodiment, it being understood that an enlarged fragmentary view thereof would be substantially identical to that shown in FIG. 5, with the exception of the inclusion of the sidewall in solid lines.

In the drawings, the broken lines showing of the sidewall, inner bead and the peripheral boundary between the tire tread and the sidewall in FIGS. 1 through 5 depict environmental subject matter and form no part of the claimed design.

**1 Claim, 7 Drawing Sheets**



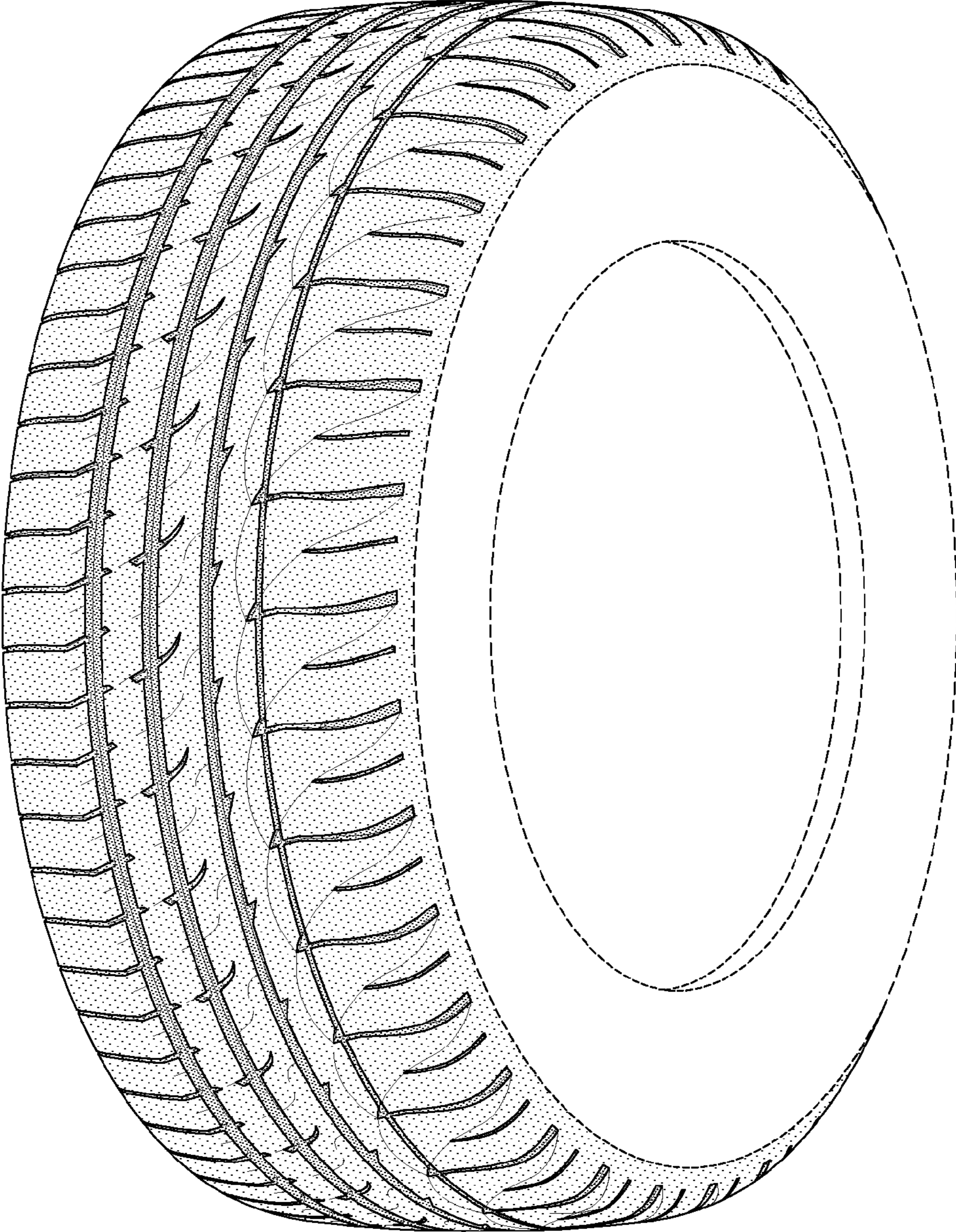


FIG-1

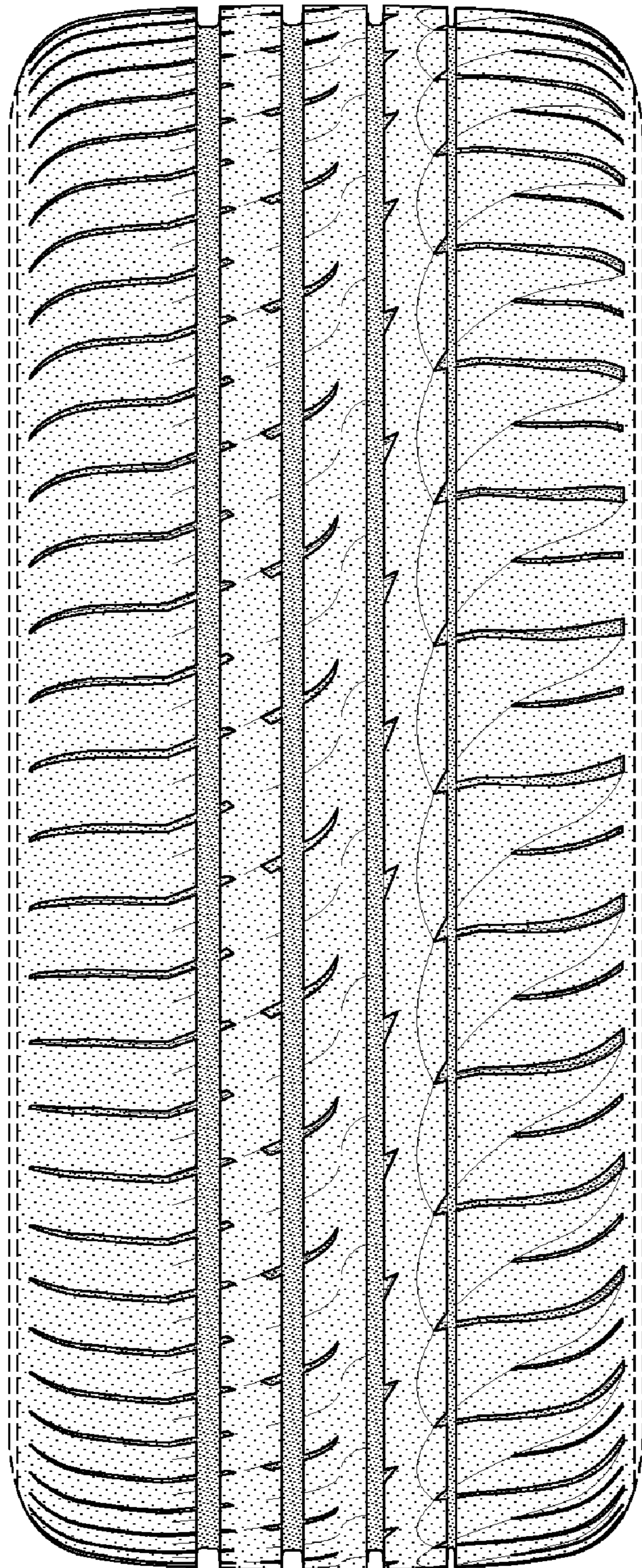


FIG-2

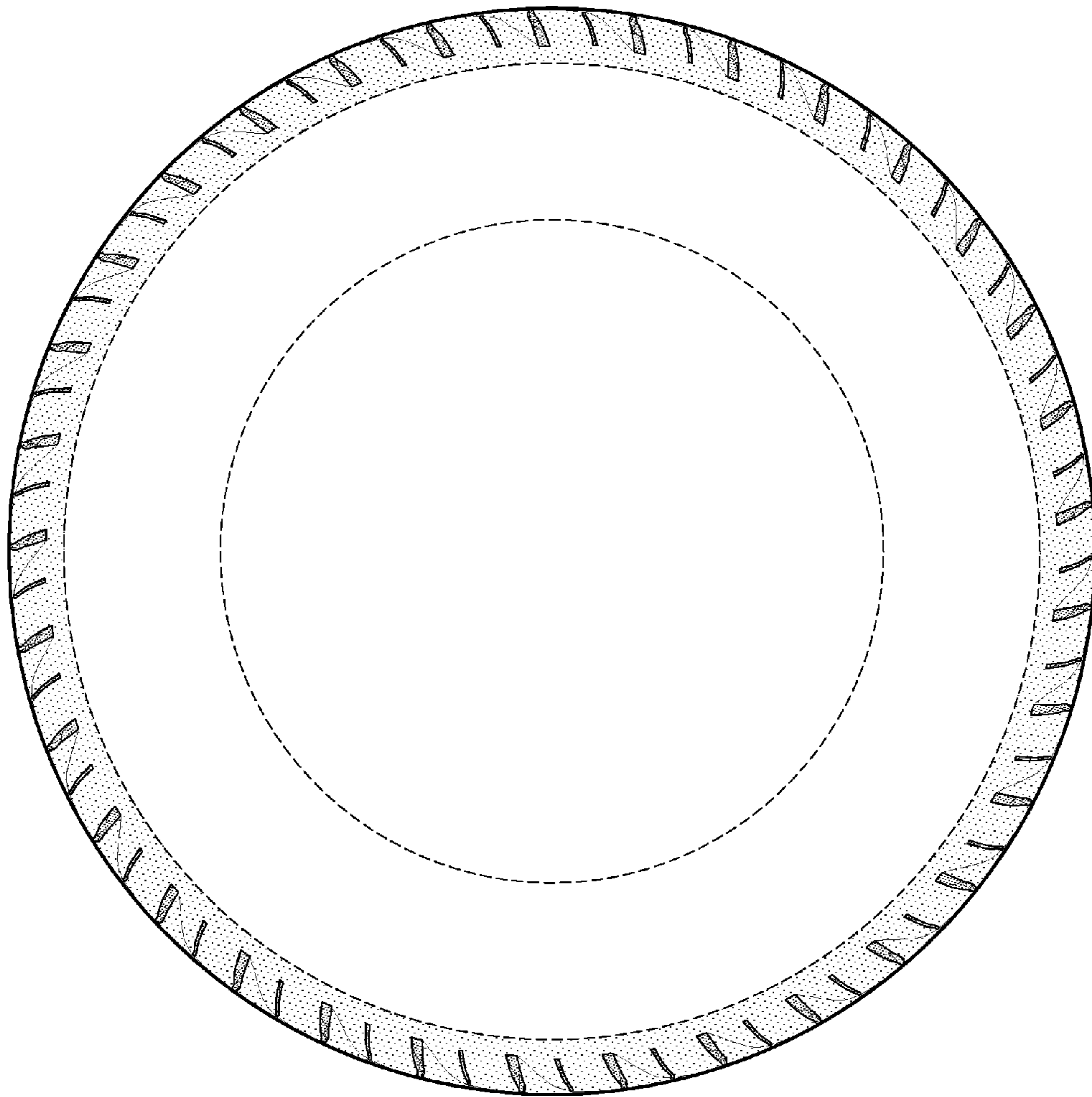


FIG-3

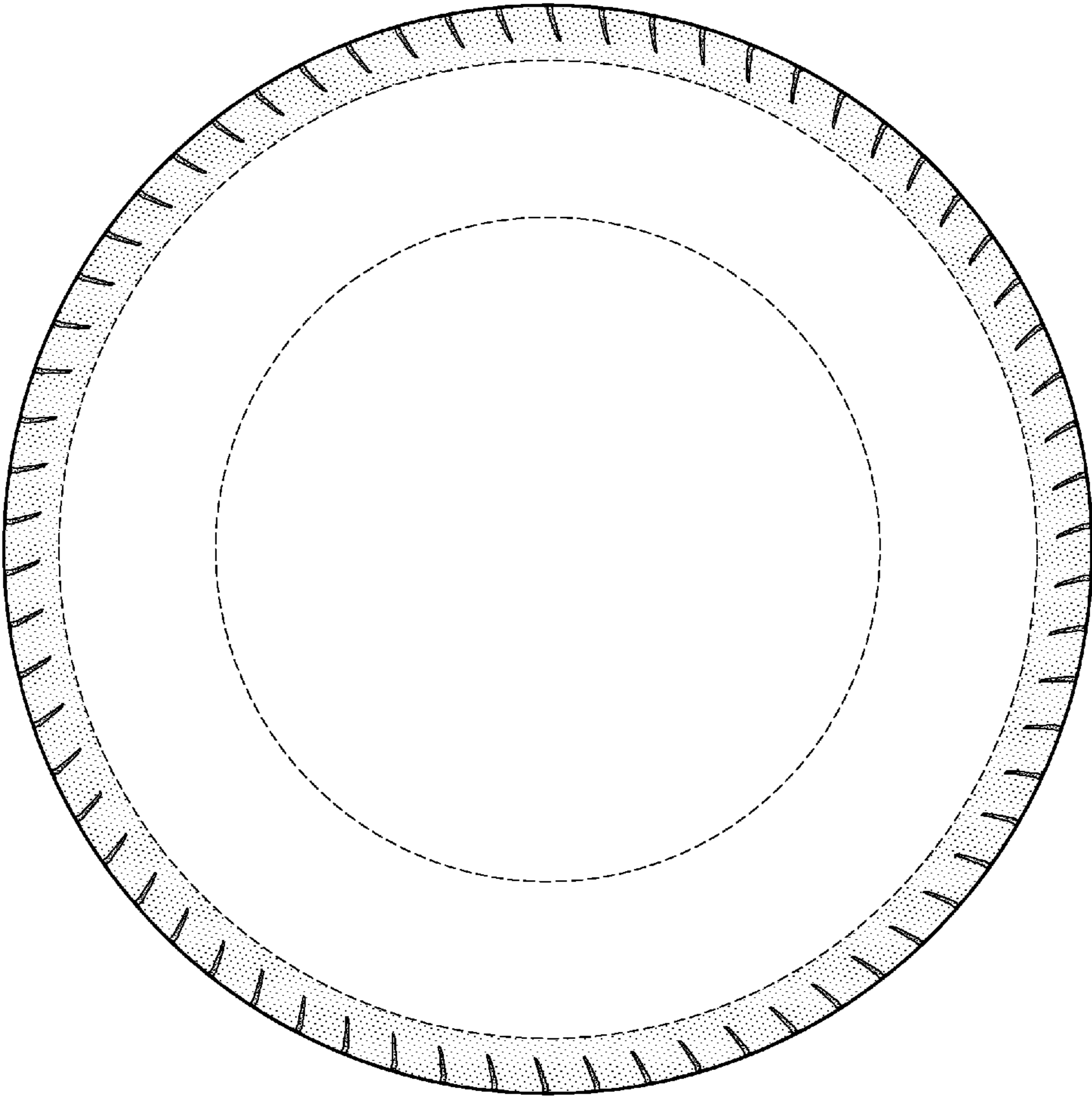


FIG-4



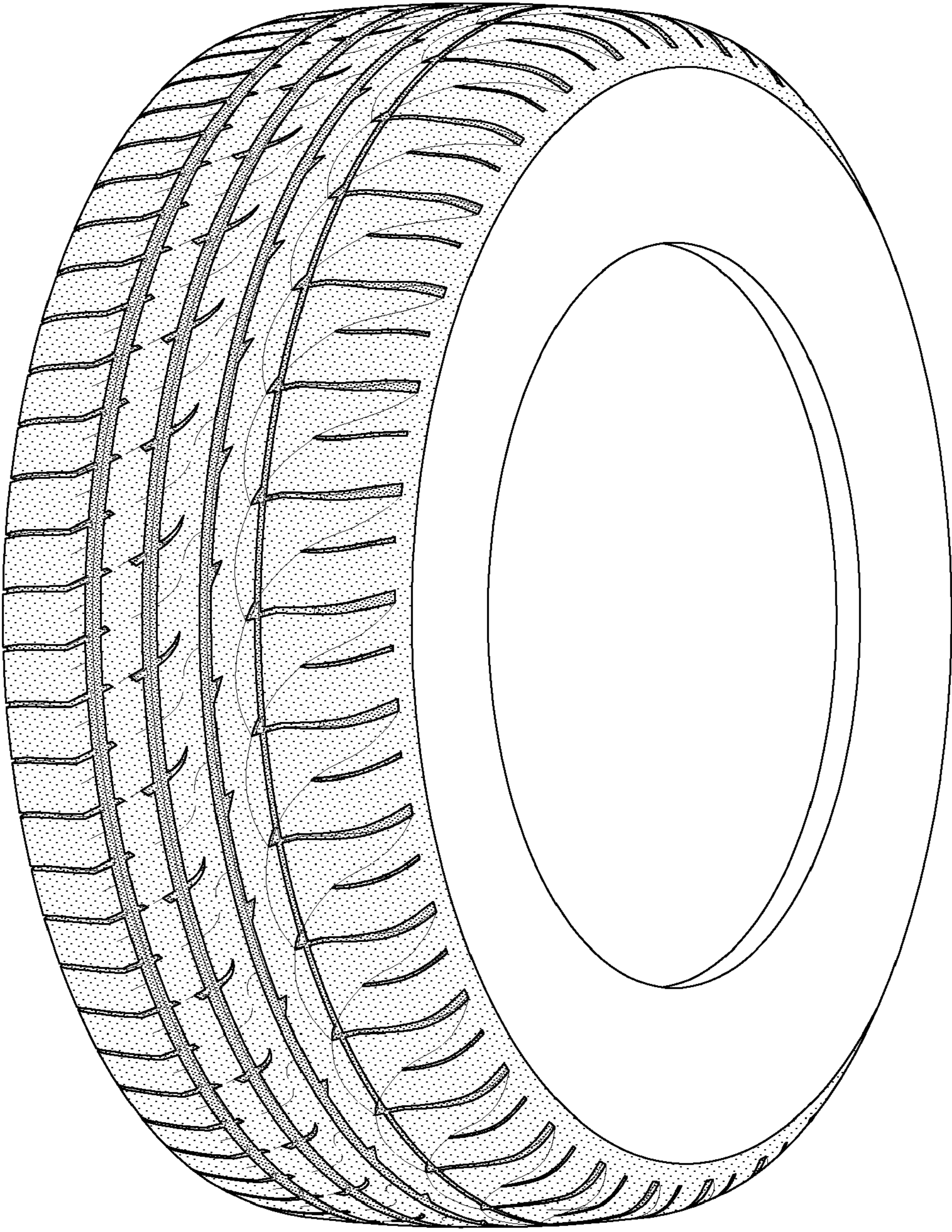


FIG-6

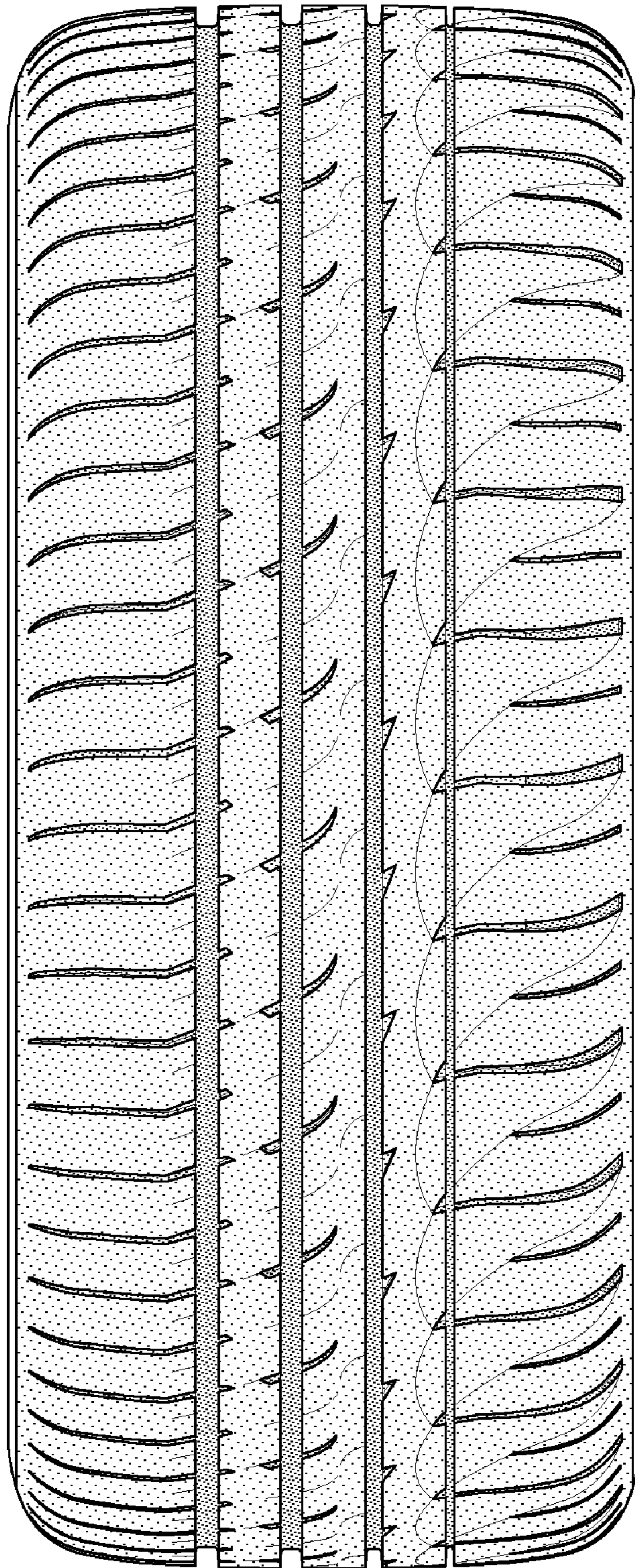


FIG-7