



US00D630997S

(12) **United States Design Patent**  
**Wright et al.**

(10) **Patent No.:** **US D630,997 S**

(45) **Date of Patent:** **\*\* Jan. 18, 2011**

(54) **TIRE TREAD**

(75) Inventors: **Richard R. Wright**, Wadsworth, OH (US); **Kent D. Weatherwax**, Akron, OH (US); **James G. Guspodin**, Akron, OH (US); **John Sabistina**, Cuyahoga Falls, OH (US)

D316,690 S 5/1991 Tagashira  
D318,830 S 8/1991 Manestar  
D321,852 S 11/1991 Guspodin  
5,062,461 A 11/1991 Noguchi  
D322,589 S 12/1991 Nakatani

(73) Assignee: **Bridgestone Americas Tire Operations, LLC**

(Continued)

**FOREIGN PATENT DOCUMENTS**

(\*\*) Term: **14 Years**

EP 0524568 1/1993

(21) Appl. No.: **29/368,662**

(22) Filed: **Aug. 26, 2010**

(Continued)

(51) **LOC (9) Cl.** ..... **12-15**

*Primary Examiner*—Stacia Cadmus

(52) **U.S. Cl.** ..... **D12/516**

(74) *Attorney, Agent, or Firm*—Thomas R. Kingsbury

(58) **Field of Classification Search** ..... D12/505–532,  
D12/547–550, 582–585; 152/209.1, 209.8–209.19,  
152/209.25–209.28

(57) **CLAIM**

See application file for complete search history.

The ornamental design for a tire tread, as shown and described.

(56) **References Cited**

**DESCRIPTION**

**U.S. PATENT DOCUMENTS**

- 3,989,780 A 11/1976 Vorih
- D243,756 S 3/1977 Makino et al.
- D265,303 S 7/1982 Yokoyama
- D265,393 S 7/1982 Hutz
- D266,064 S 9/1982 Sone
- D280,981 S 10/1985 Ohta et al.
- D283,315 S 4/1986 Candiliotis
- D284,276 S 6/1986 Candiliotis
- D288,307 S 2/1987 Ono
- D293,664 S 1/1988 Hayakawa et al.
- 4,823,853 A 4/1989 Hitzky
- D307,880 S 5/1990 Miller et al.
- D307,881 S 5/1990 Miller et al.
- D308,190 S 5/1990 Fetty et al.
- D311,366 S 10/1990 Kuroda
- D311,887 S 11/1990 Adam
- D313,212 S 12/1990 Hamada et al.
- D313,385 S 1/1991 Tsuda et al.
- D314,363 S 2/1991 Adam

FIG. 1 is a side perspective view of a tire tread showing our new design, it being understood that the tread pattern is repeated throughout the circumference of the tire tread, the opposite side being the same as that shown;

FIG. 2 is a front elevational view thereof, the opposite side being identical thereto;

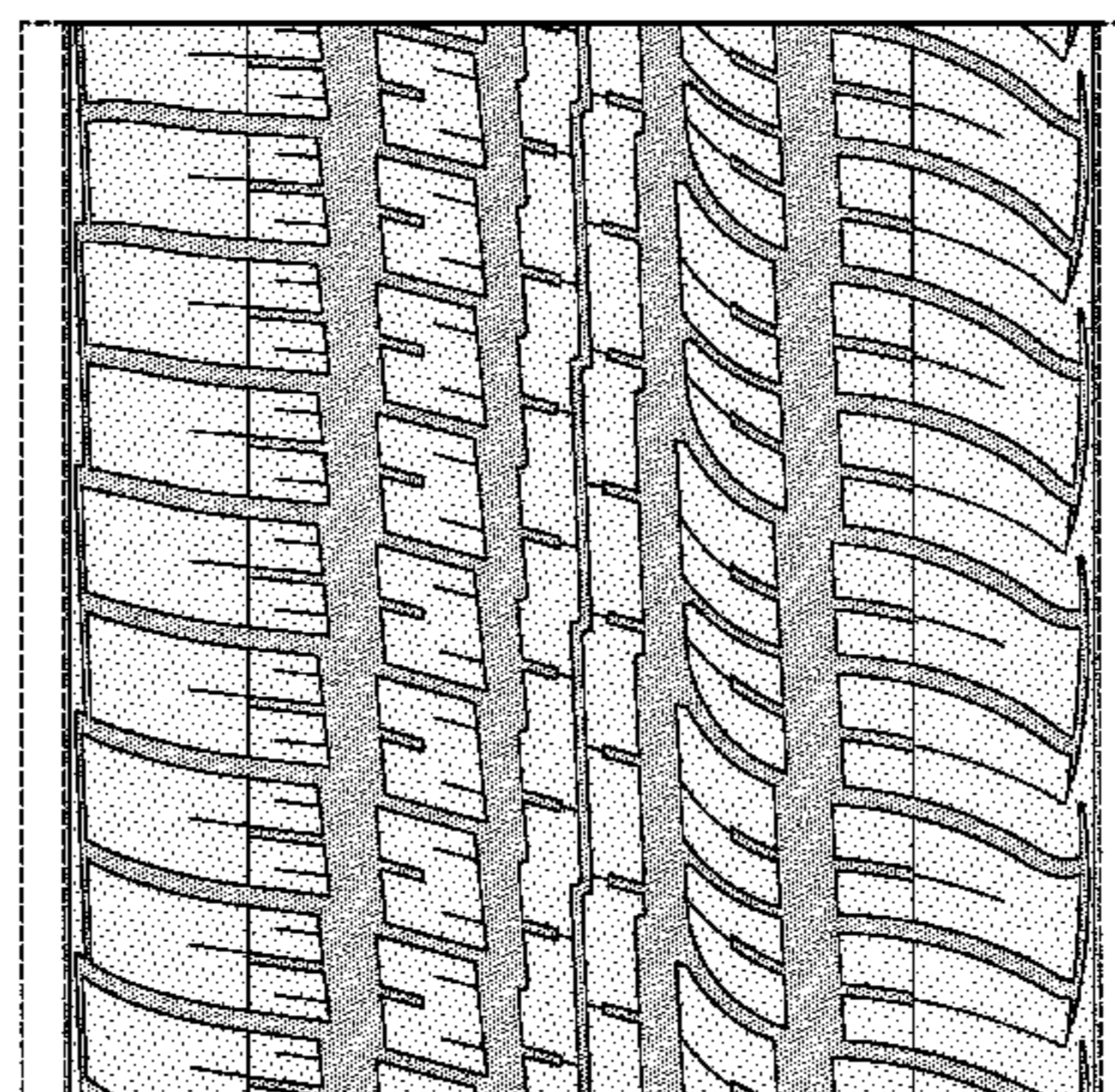
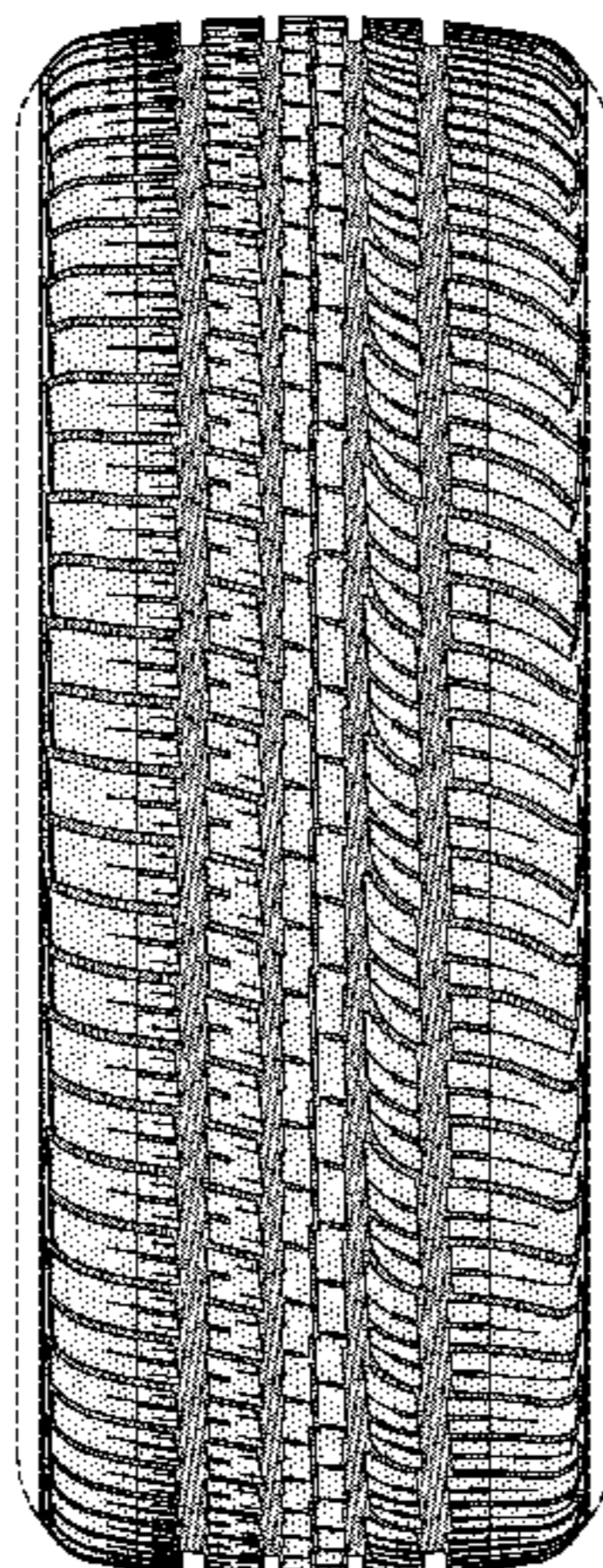
FIG. 3 is a side elevational view of the right side thereof;

FIG. 4 is side elevational view of the left side thereof; and,

FIG. 5 is an enlarged fragmentary front elevational view thereof.

The broken lines defining the sidewall, inner bead, and the peripheral boundary between the claimed tire tread and the sidewall depict environmental subject matter that forms no part of the claimed design.

**1 Claim, 5 Drawing Sheets**



# US D630,997 S

U.S. PATENT DOCUMENTS					
			6,102,093 A	8/2000	Nakagawa
			6,109,318 A	8/2000	Yukawa
			6,220,844 B1	4/2001	Kusano
			D444,429 S	7/2001	Vinesse
			D446,173 S	8/2001	Kimishima
			6,336,485 B1	1/2002	Kaneko et al.
			6,340,041 B1	1/2002	Sugihara et al.
			D453,729 S	2/2002	Demagall et al.
			D454,536 S	3/2002	Oliver
			D455,395 S	4/2002	Blankenship et al.
			D456,000 S	4/2002	Graas
			6,363,984 B1	4/2002	Morgan
			6,409,861 B1	6/2002	Yukawa
			6,415,836 B1	7/2002	Hanya
			6,426,482 B1	7/2002	Fike
			6,439,286 B1	8/2002	Baumhofer et al.
			6,446,689 B1	9/2002	Elkurd et al.
			6,450,223 B1	9/2002	Landers et al.
			D464,020 S	10/2002	Dahlberg et al.
			D469,396 S	1/2003	Hutson et al.
			D470,101 S	2/2003	Heinen
			6,514,366 B1	2/2003	Xie
			D471,148 S	3/2003	Heinen
			D471,492 S	3/2003	Slingluff et al.
			D472,203 S	3/2003	Endo et al.
			6,531,012 B2	3/2003	Ishiyama
			D472,513 S	4/2003	Akiyama et al.
			D475,344 S	6/2003	Tsubono
			6,578,612 B1	6/2003	Matsumura
			6,609,548 B2	8/2003	Kousaie et al.
			D479,188 S	9/2003	Hutz et al.
			6,640,858 B2	11/2003	Ikeda
			D483,004 S	12/2003	Schomburg et al.
			D483,005 S	12/2003	Hirai
			D483,323 S	12/2003	Williams
			D484,091 S	12/2003	Okamoto
			D485,232 S	1/2004	Nakamura
			D490,366 S	5/2004	Kindig et al.
			D492,247 S	6/2004	Schmalix et al.
			D497,143 S	10/2004	Lee et al.
			6,800,161 B2	10/2004	Takigawa et al.
			D497,876 S	11/2004	Williams
			D498,206 S	11/2004	Cazin-Bourguignon et al.
			D499,696 S	12/2004	Itagaki
			D500,010 S	12/2004	Maziarka et al.
			6,826,819 B1	12/2004	Sinfield
			D501,695 S	2/2005	Lassan et al.
			D502,441 S	3/2005	Lo
			D503,145 S	3/2005	Labbe et al.
			6,932,589 B2	8/2005	Suzuki
			6,955,782 B1	10/2005	Ratliff, Jr.
			D512,013 S	11/2005	Delu et al.
			D512,016 S	11/2005	Williams
			D512,683 S	12/2005	Dumigan et al.
			D515,019 S	2/2006	Umstot et al.
			D517,976 S	3/2006	Raatikainen
			D519,443 S	4/2006	Saito et al.
			D522,442 S *	6/2006	Shirouzu ..... D12/515
			D524,720 S	7/2006	Dumigan
			D524,721 S	7/2006	Dumigan et al.
			D528,972 S	9/2006	Saito et al.
			D531,111 S	10/2006	Fukunaga
			D531,112 S	10/2006	Williams
			D531,113 S	10/2006	Dixon et al.
			D531,114 S	10/2006	Dixon et al.
			D534,485 S	1/2007	Nakamura
			D535,938 S	1/2007	Dumigan et al.
			D535,940 S	1/2007	Lee et al.
			D540,249 S	4/2007	Lo
			D541,735 S	5/2007	Yamaguchi
			D545,264 S	6/2007	Takahashi et al.
			D546,272 S	7/2007	Shinohara et al.
			D550,610 S	9/2007	Guspodin et al.
D323,311 S	1/1992	Yamashita			
5,178,698 A	1/1993	Shibata			
5,240,053 A	8/1993	Baumhofer et al.			
5,240,054 A	8/1993	Kogure			
D339,557 S	9/1993	Lurois			
D341,345 S	11/1993	Killian			
D344,698 S	3/1994	Shinohara et al.			
D345,133 S	3/1994	Himuro et al.			
5,307,851 A	5/1994	Yamashita			
5,309,965 A	5/1994	Williams			
5,314,551 A	5/1994	Williams			
D348,241 S	6/1994	Graas et al.			
D350,096 S	8/1994	Brightwell et al.			
D350,508 S	9/1994	Evraert			
5,343,914 A	9/1994	Wako			
5,345,988 A	9/1994	Kabe et al.			
D351,126 S	10/1994	Manestar			
5,358,021 A	10/1994	Takasugi et al.			
5,371,685 A	12/1994	Bandel et al.			
D355,152 S	2/1995	Brightwell et al.			
D356,059 S	3/1995	McKisson			
5,394,916 A	3/1995	Williams			
D359,017 S	6/1995	McKisson			
D360,856 S	8/1995	Himuro et al.			
D364,367 S	11/1995	Klepper et al.			
D365,053 S	12/1995	White			
D365,065 S	12/1995	Galante et al.			
D367,455 S	2/1996	Herberger et al.			
D368,689 S	4/1996	Heinen et al.			
D368,690 S	4/1996	Heinen et al.			
5,560,791 A	10/1996	Kajita			
5,618,360 A	4/1997	Sakuno			
D380,710 S	7/1997	McKisson			
D380,714 S	7/1997	Attinello et al.			
D381,000 S	7/1997	White			
D382,525 S	8/1997	Manestar			
D384,606 S	10/1997	McKisson			
D386,727 S	11/1997	Sugimoto			
5,690,760 A	11/1997	Brown, Jr.			
D391,209 S	2/1998	Villamizar et al.			
5,714,026 A	2/1998	Wakabayashi			
5,717,613 A	2/1998	Nakajima			
D393,613 S *	4/1998	Brayer et al. .... D12/518			
D394,034 S	5/1998	Feider et al.			
D395,626 S	6/1998	Gillard et al.			
5,759,311 A	6/1998	Williams			
5,759,312 A	6/1998	Wesolowski			
5,766,383 A	6/1998	Hasegawa et al.			
5,769,990 A	6/1998	Hoffmeister			
D400,140 S	10/1998	Graas			
D402,240 S	12/1998	Hubbell, Jr.			
D402,936 S	12/1998	Williams			
D403,627 S	1/1999	Graas			
D403,631 S	1/1999	Blankenship et al.			
D403,994 S	1/1999	Williams			
D403,995 S	1/1999	Williams			
5,865,921 A	2/1999	Zakelj et al.			
D412,471 S	8/1999	Downey			
D415,453 S	10/1999	Duncklee			
D416,839 S	11/1999	Heinen et al.			
5,974,872 A	11/1999	Morishita et al.			
D417,419 S	12/1999	Ochi			
5,996,660 A	12/1999	Kakumu et al.			
D419,499 S	1/2000	Kawai			
D419,502 S	1/2000	Custons, Jr. et al.			
D419,927 S	2/2000	Edwards			
D420,629 S	2/2000	Edwards			
D424,987 S	5/2000	Vinesse			
D428,835 S	8/2000	Williams			
D429,667 S	8/2000	Fierro et al.			
D430,081 S	8/2000	Blankenship et al.			

# US D630,997 S

D551,156 S	9/2007	Shinohara et al.		D604,692 S	11/2009	Ebiko et al.
D553,559 S	10/2007	Irie et al.		D606,002 S	12/2009	Yamakawa et al.
D554,052 S	10/2007	Dumigan et al.		D607,812 S	1/2010	Dixon et al.
D555,080 S	11/2007	Radulescu		D610,525 S	2/2010	Behr et al.
D557,656 S	12/2007	Iwabuchi et al.		D610,969 S	3/2010	Dixon et al.
D558,135 S	12/2007	Miyasaka et al.		D612,321 S	3/2010	Bott et al.
D559,766 S	1/2008	Hirai		D613,240 S	4/2010	Mukai
D559,769 S	1/2008	Heinen et al.		D613,679 S	4/2010	Umstot et al.
D560,599 S	1/2008	Dixon et al.		D614,119 S	4/2010	Umstot et al.
D561,088 S	2/2008	Dumigan et al.		D614,120 S	4/2010	Marella et al.
7,360,569 B2	4/2008	Nakagawa		D615,024 S	5/2010	Lee
D569,785 S	5/2008	Murata et al.		D619,958 S	7/2010	Maxwell
D571,281 S	6/2008	Murata et al.		D622,656 S	8/2010	Ohashi
D571,282 S	6/2008	Murata et al.		D623,587 S	9/2010	Ohashi
D572,187 S	7/2008	Himuro		D624,871 S	10/2010	Behr
D578,470 S *	10/2008	Regallis et al. ....	D12/516	2002/0153077 A1	10/2002	Hanya
D579,859 S	11/2008	Umstot et al.		2003/0040886 A1	2/2003	Stuckey
D580,848 S	11/2008	Hutz		2004/0118494 A1	6/2004	Liederer
D581,863 S	12/2008	Kageyama		2005/0006015 A1	1/2005	Richards et al.
D583,310 S	12/2008	Dixon et al.		2005/0022916 A1	2/2005	Sejalon
D584,218 S	1/2009	Onoe		2005/0173035 A1	8/2005	Heinen
D585,362 S	1/2009	Honda		2005/0183807 A1	8/2005	Hildebrand
D586,724 S	2/2009	Seibert et al.				
D586,734 S	2/2009	Bindner et al.				
D588,979 S	3/2009	Kiwaki				
D593,026 S	5/2009	Umstot et al.		EP	0671288	9/1995
D593,936 S	6/2009	Maxwell		JP	63-159110	7/1988
D597,474 S	8/2009	Yamakawa et al.		JP	4-108006	4/1992
D598,363 S *	8/2009	Misumi .....	D12/515	JP	7-257114	10/1995
D600,194 S	9/2009	Matsumoto et al.		JP	2723480	10/1995
D601,952 S	10/2009	Shavers et al.		JP	2003170705	6/2003
D602,854 S	10/2009	Hausz et al.		JP	2004351970	12/2004
D603,323 S	11/2009	Sakai et al.				
D604,233 S	11/2009	Reim et al.				

### FOREIGN PATENT DOCUMENTS

EP	0671288	9/1995
JP	63-159110	7/1988
JP	4-108006	4/1992
JP	7-257114	10/1995
JP	2723480	10/1995
JP	2003170705	6/2003
JP	2004351970	12/2004

\* cited by examiner

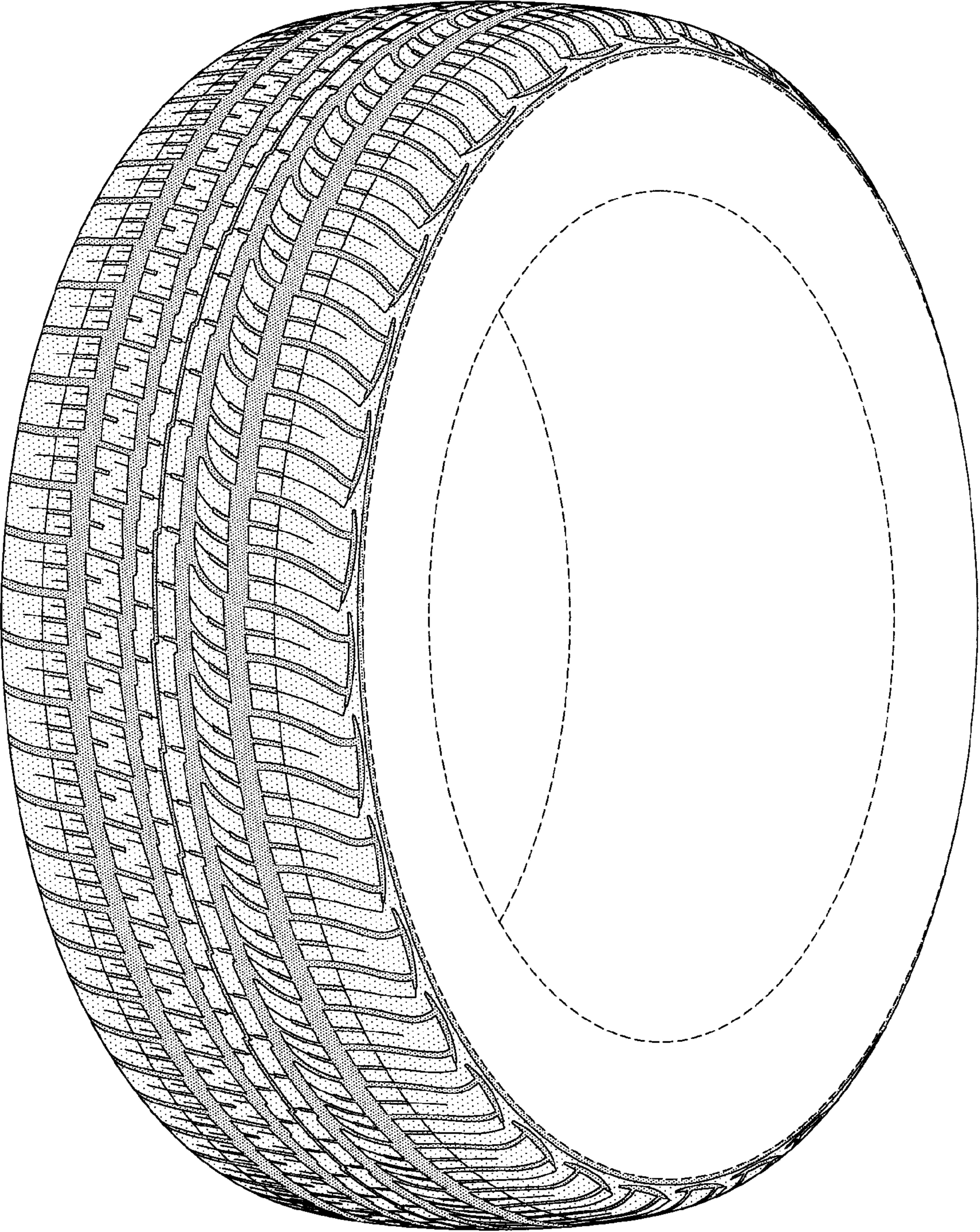


FIG-1

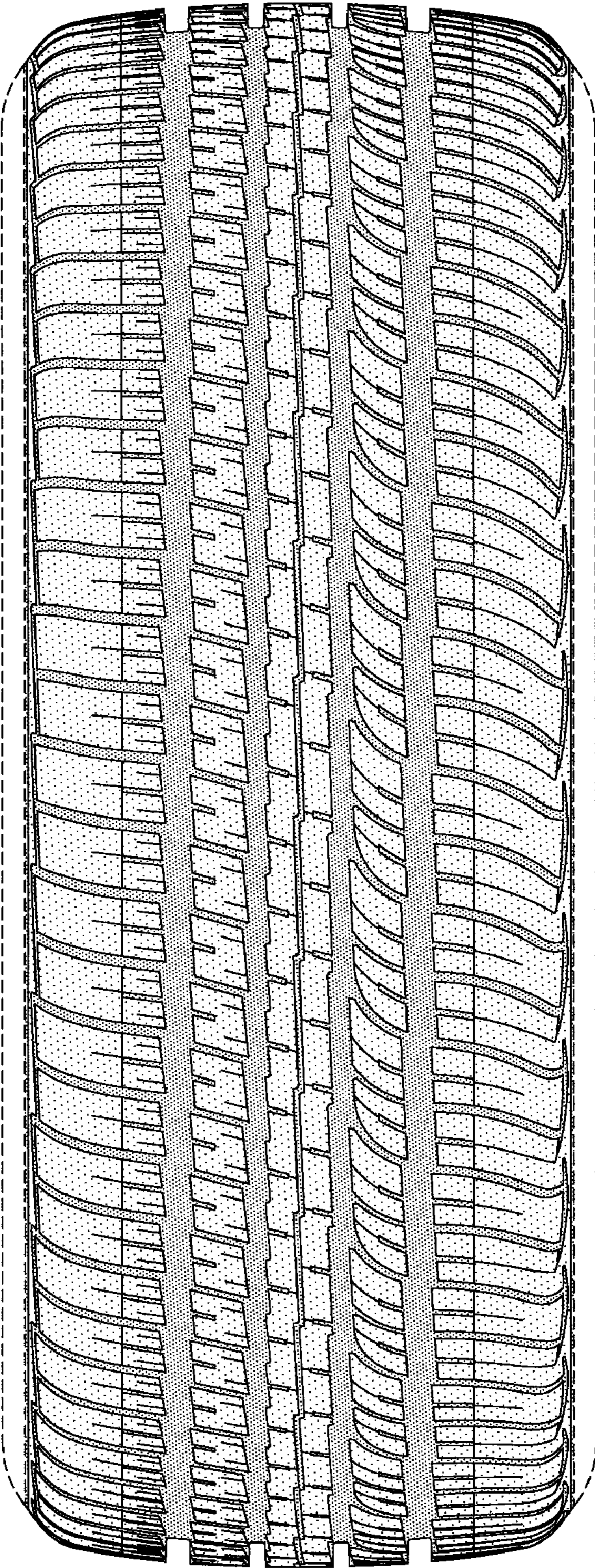


FIG-2

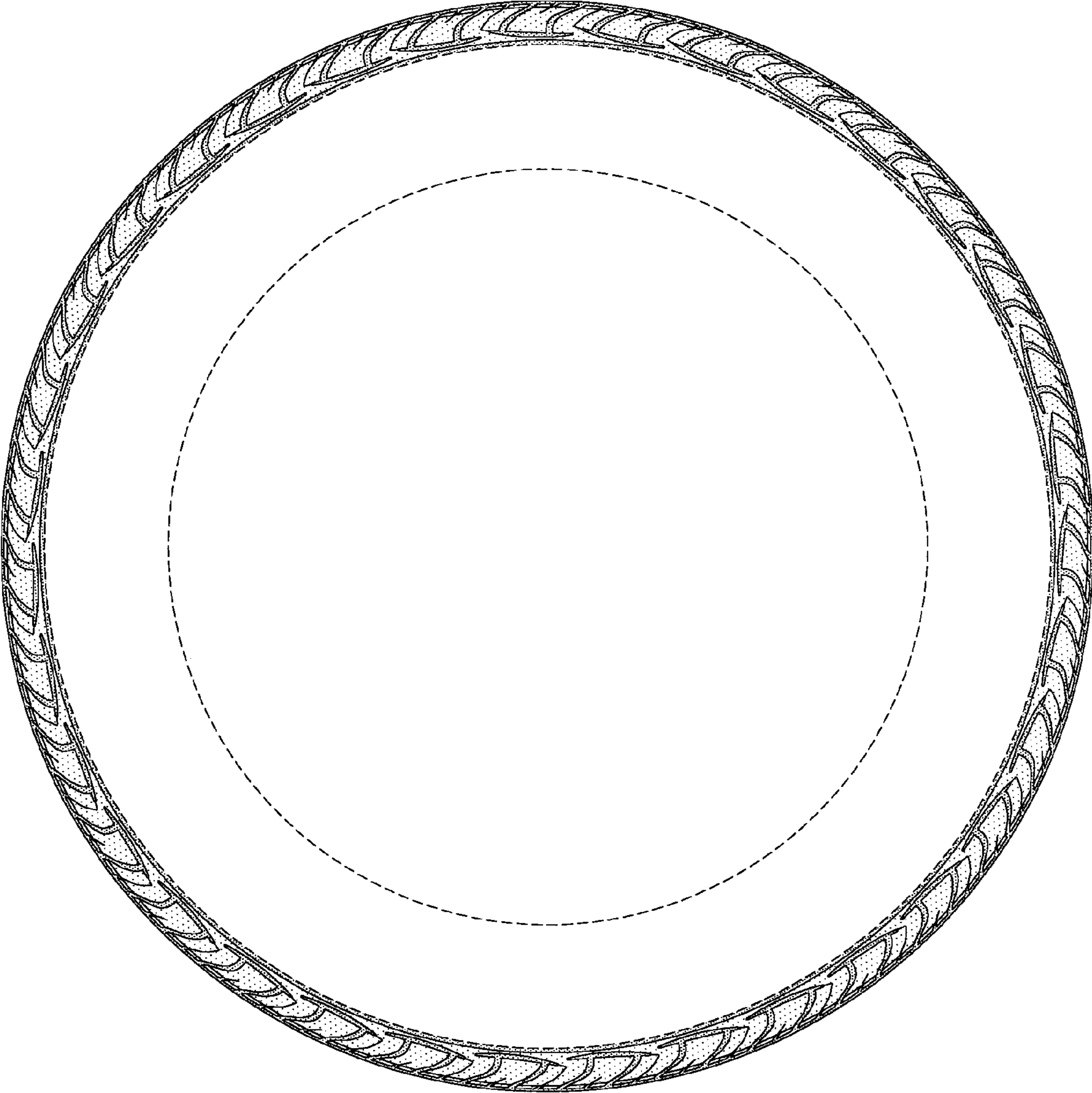


FIG-3

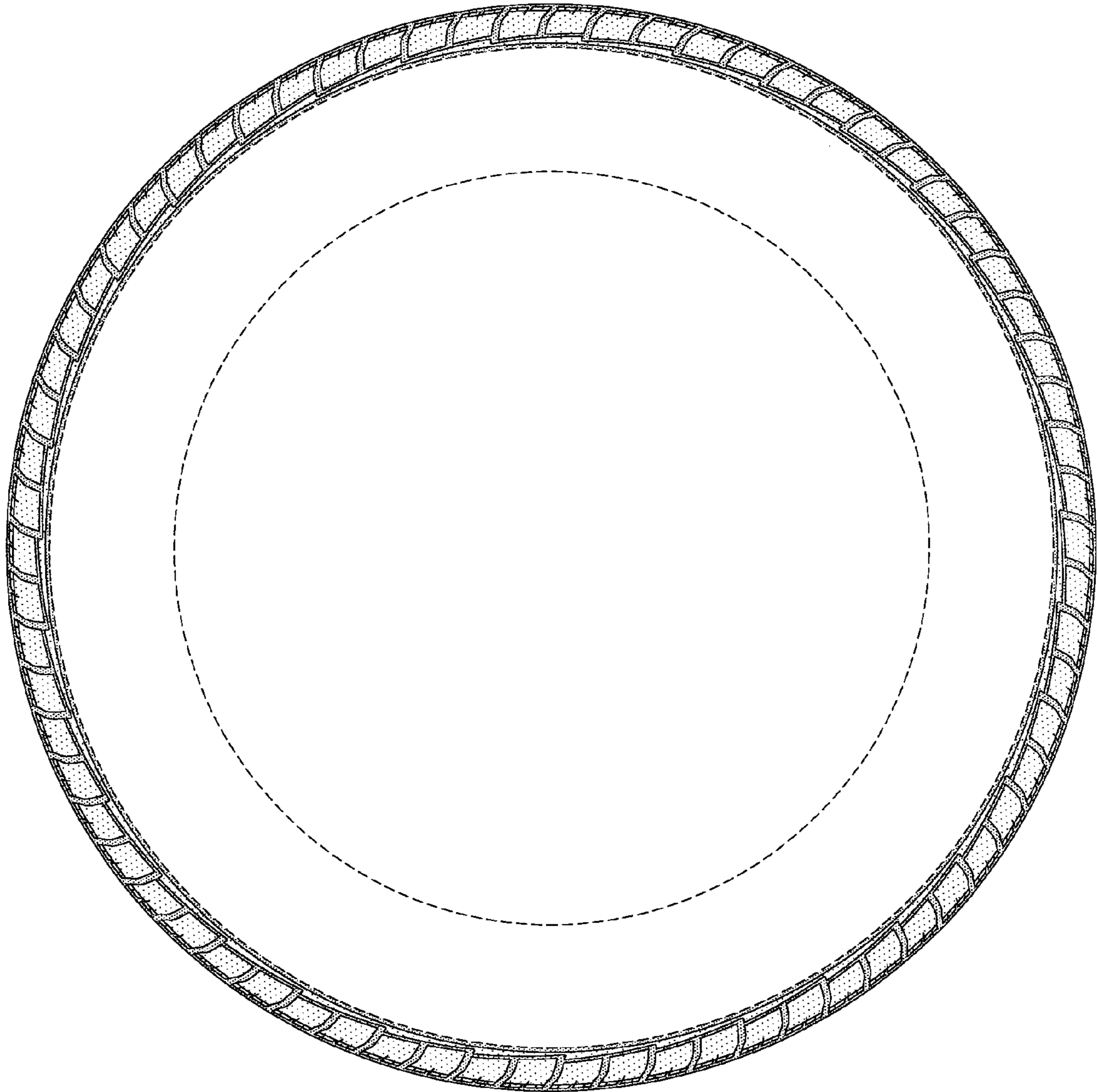


FIG-4

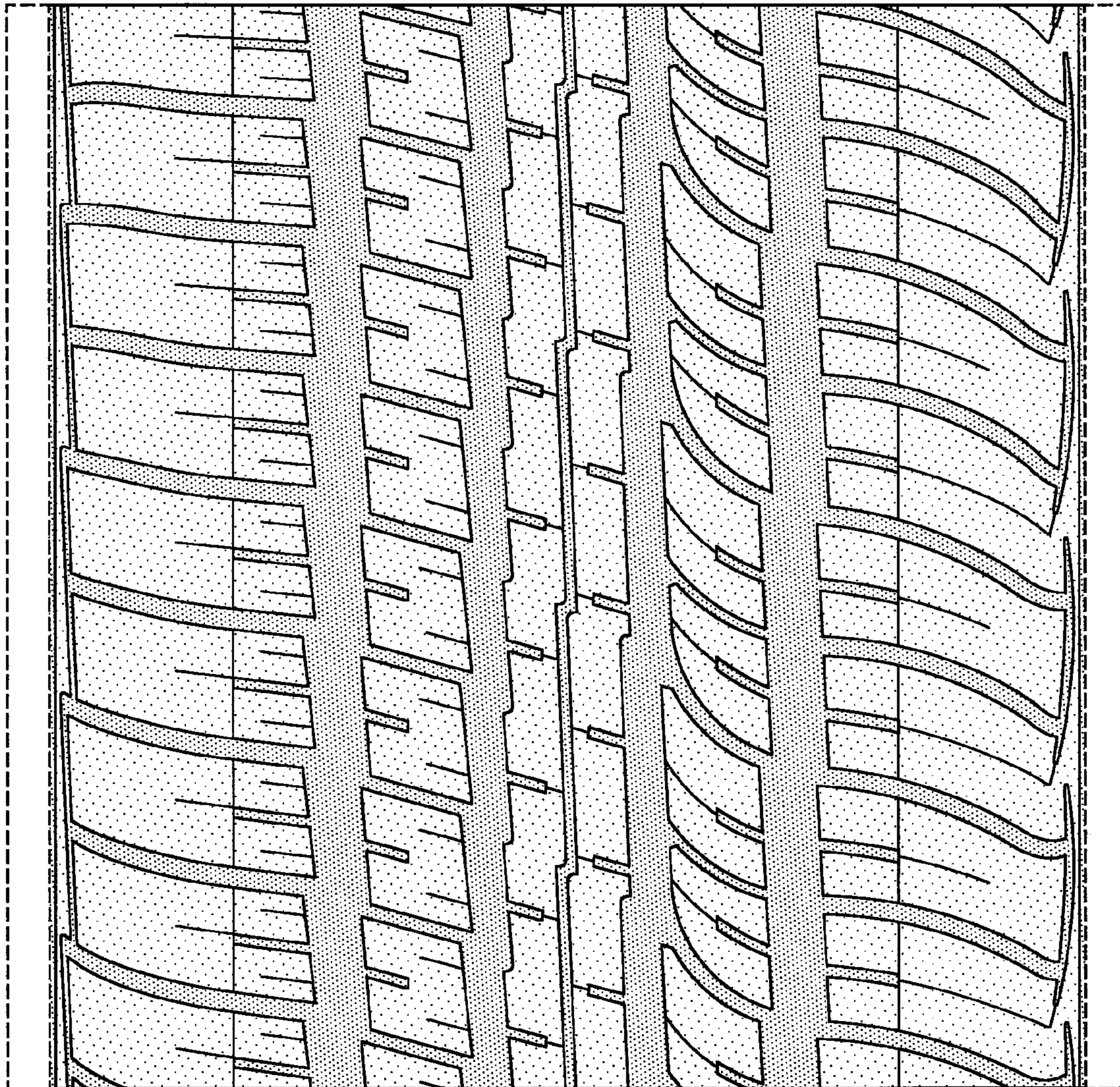


FIG-5