



US00D630994S

(12) **United States Design Patent**
Tureaud et al.

(10) **Patent No.:** **US D630,994 S**

(45) **Date of Patent:** **** Jan. 18, 2011**

(54) **APPARATUS FOR MECHANICALLY GUIDING A WATER VEHICLE THAT IS BEING RELEASED OR RETRIEVED**

4,705,331 A 11/1987 Britton
D304,923 S 12/1989 Pado
D308,851 S 6/1990 Templeman

(75) Inventors: **Thomas F. Tureaud**, Fairfax, VA (US);
Douglas E. Humphreys, Great Falls, VA (US);
Ronald D. Russell, Shady Side, MD (US);
Raymond K. Russell, Shady Side, MD (US)

(Continued)

(73) Assignee: **Vehicle Control Technologies, Inc.**,
Reston, VA (US)

OTHER PUBLICATIONS

Vehicle Control Technologies, Inc., "STTR Proposal No. NO8A-016-0269—Expendable Glider for Oceanographic Research", Mar. 18, 2008, pp. 3-25, see specifically p. 20.

(**) Term: **14 Years**

(Continued)

(21) Appl. No.: **29/315,638**

Primary Examiner—Cynthia M Chin

(74) *Attorney, Agent, or Firm*—Womble Carlyle Sandridge & Rice, PLLC

(22) Filed: **Jul. 13, 2009**

(57) **CLAIM**

(51) **LOC (9) Cl.** **12-06**

The ornamental design for an apparatus for mechanically guiding a water vehicle that is being released or retrieved, as shown and described.

(52) **U.S. Cl.** **D12/317**

(58) **Field of Classification Search** D12/106,
D12/317, 318, 223; D8/354; 114/219, 230.1,
114/230.15–230.19, 230.2, 242, 249–254,
114/344; 116/228; 280/414.4; 414/534
See application file for complete search history.

DESCRIPTION

(56) **References Cited**

FIG. 1 is a top perspective view of an apparatus for mechanically guiding a water vehicle that is being released or retrieved in accordance with an embodiment of the present invention;

FIG. 2 is a top plan view of the apparatus of FIG. 1;

FIG. 3 a right elevation view of the apparatus of FIG. 1;

FIG. 4 a left elevation view of the apparatus of FIG. 1;

FIG. 5 a front elevation view of the apparatus of FIG. 1;

FIG. 6 a rear elevation view of the apparatus of FIG. 1; and,

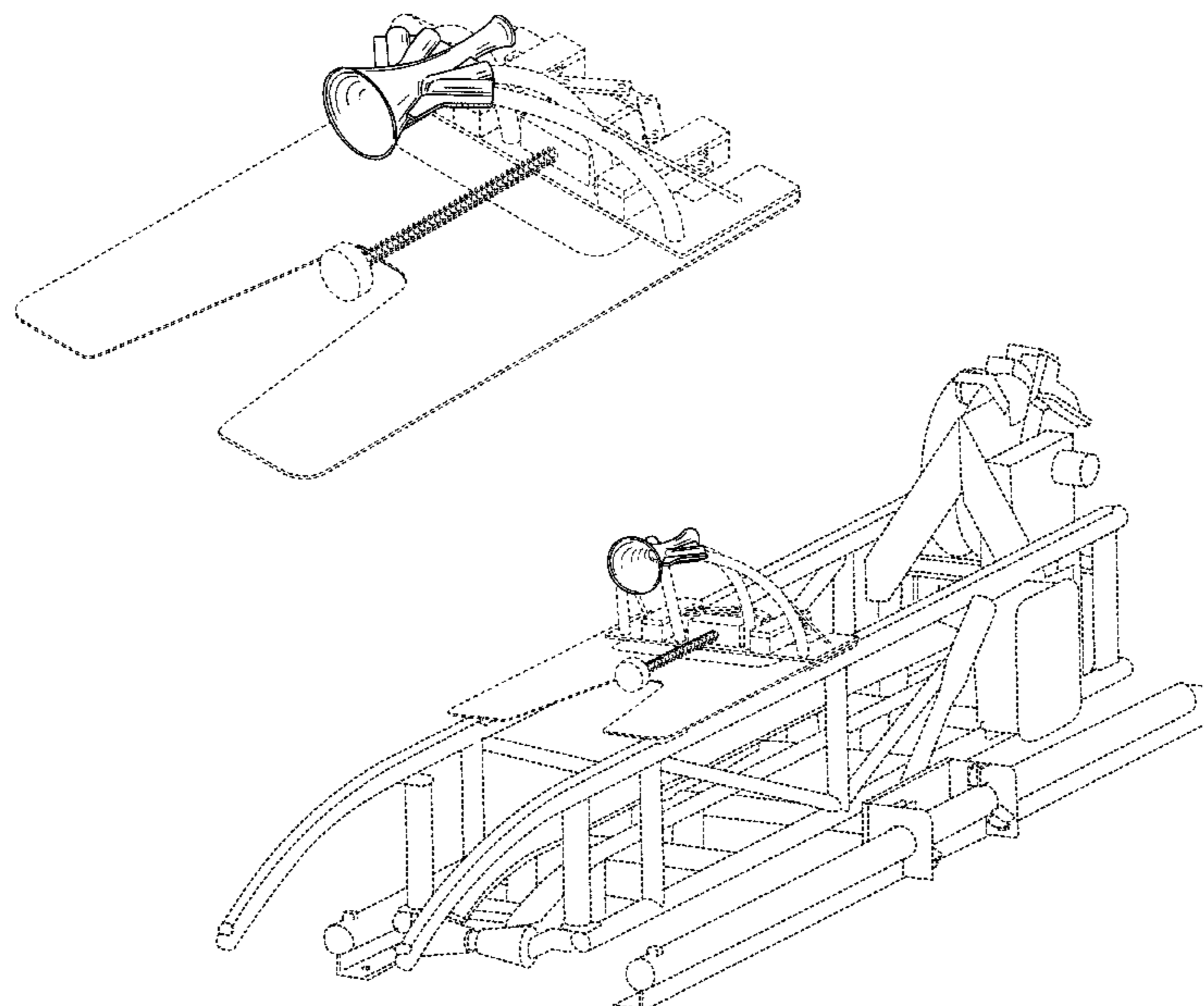
FIG. 7 is another perspective view of the apparatus of FIG. 1.

The broken lines shown herein are for illustrative purposes and form no part of the claimed design.

U.S. PATENT DOCUMENTS

3,466,798 A	9/1969	Speers et al.	
D217,744 S	6/1970	Peterson et al.	
3,647,253 A	3/1972	Hettinger et al.	
3,650,234 A	3/1972	Goudy	
3,734,321 A	5/1973	Long et al.	
D242,615 S	12/1976	Henning	
4,209,279 A *	6/1980	Aasen	414/534
D290,108 S	6/1987	Wolfe	
D291,299 S	8/1987	Hawkes	
D292,870 S *	11/1987	Carbone	D8/354

1 Claim, 6 Drawing Sheets



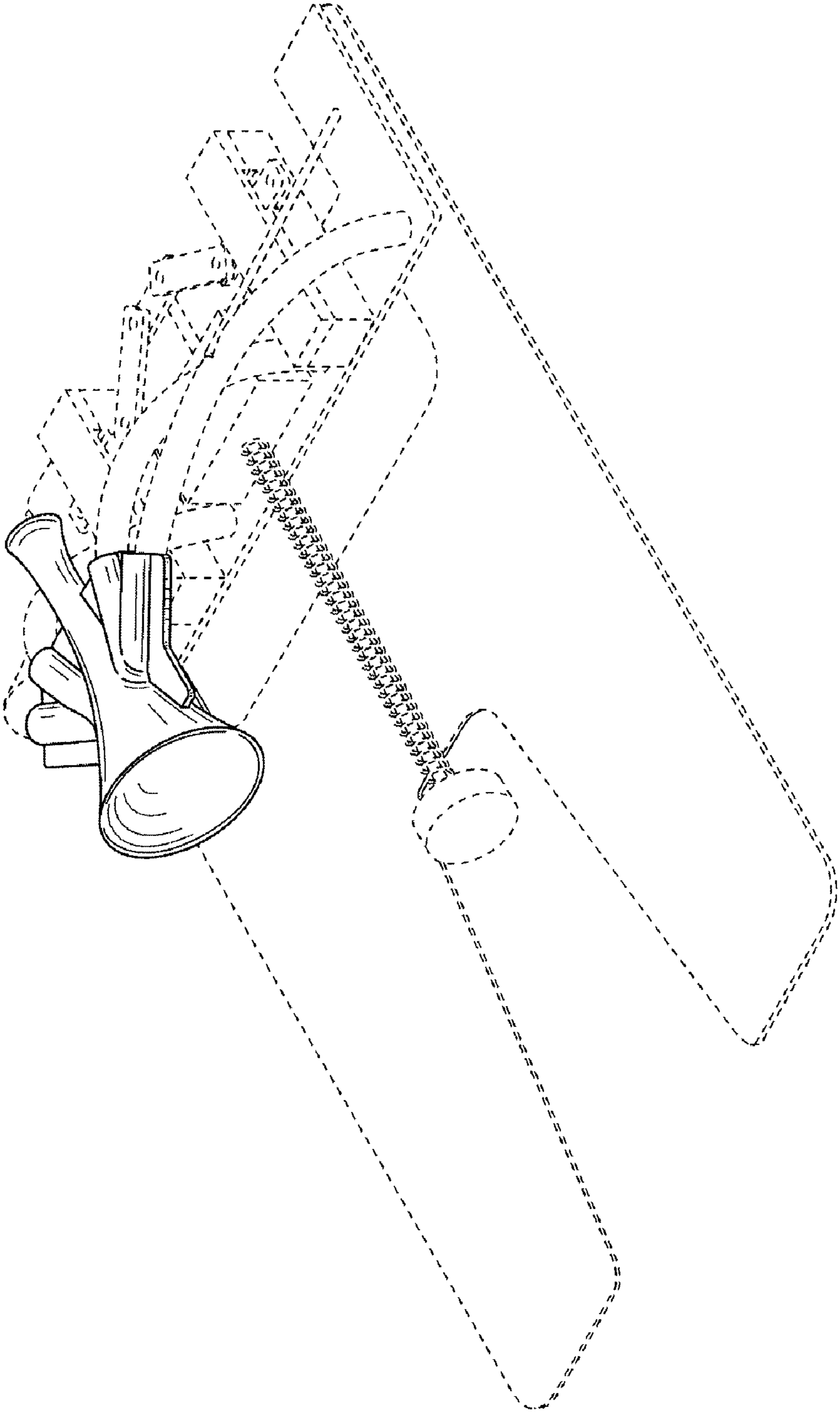


FIG. 1

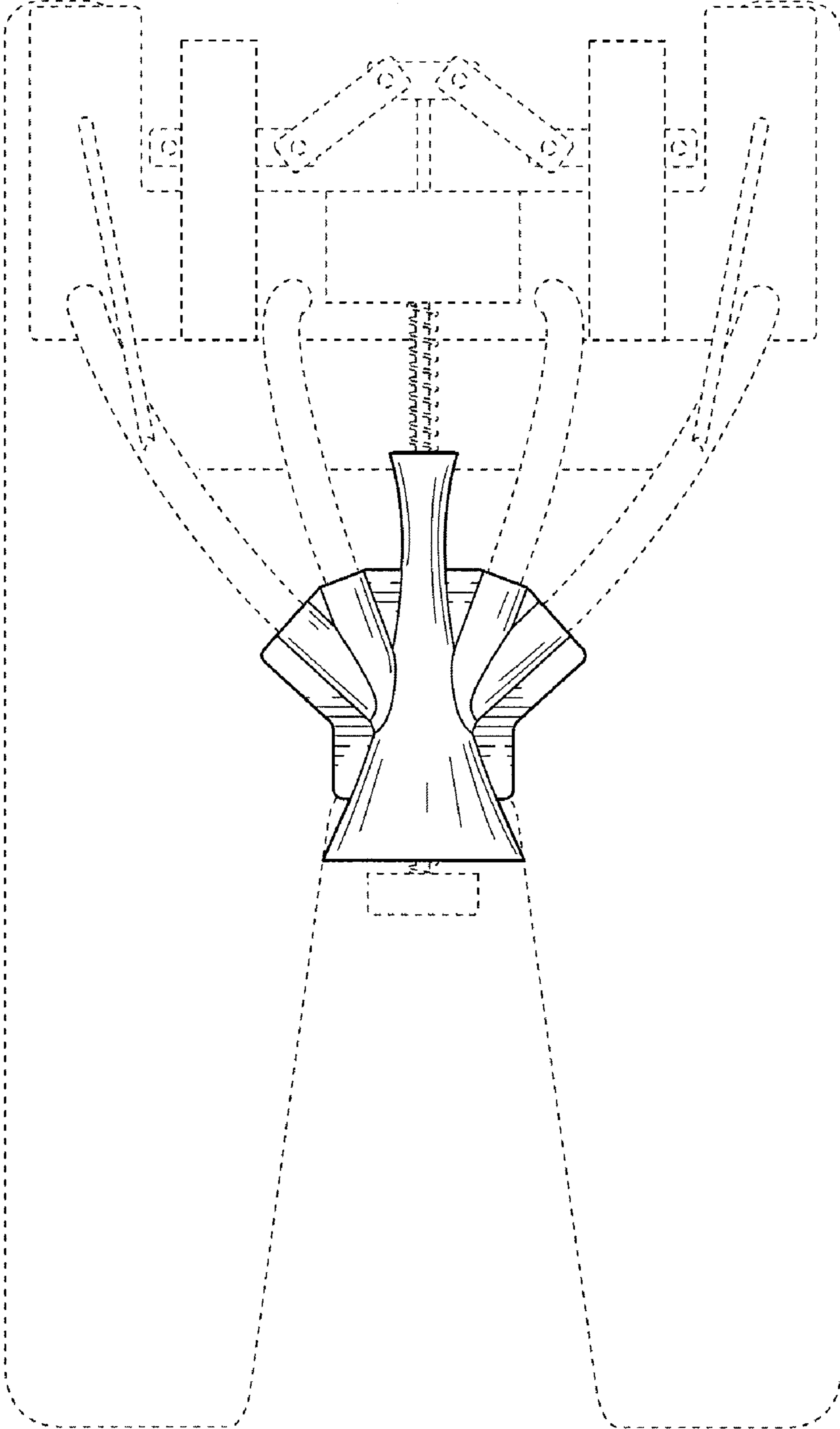


FIG. 2

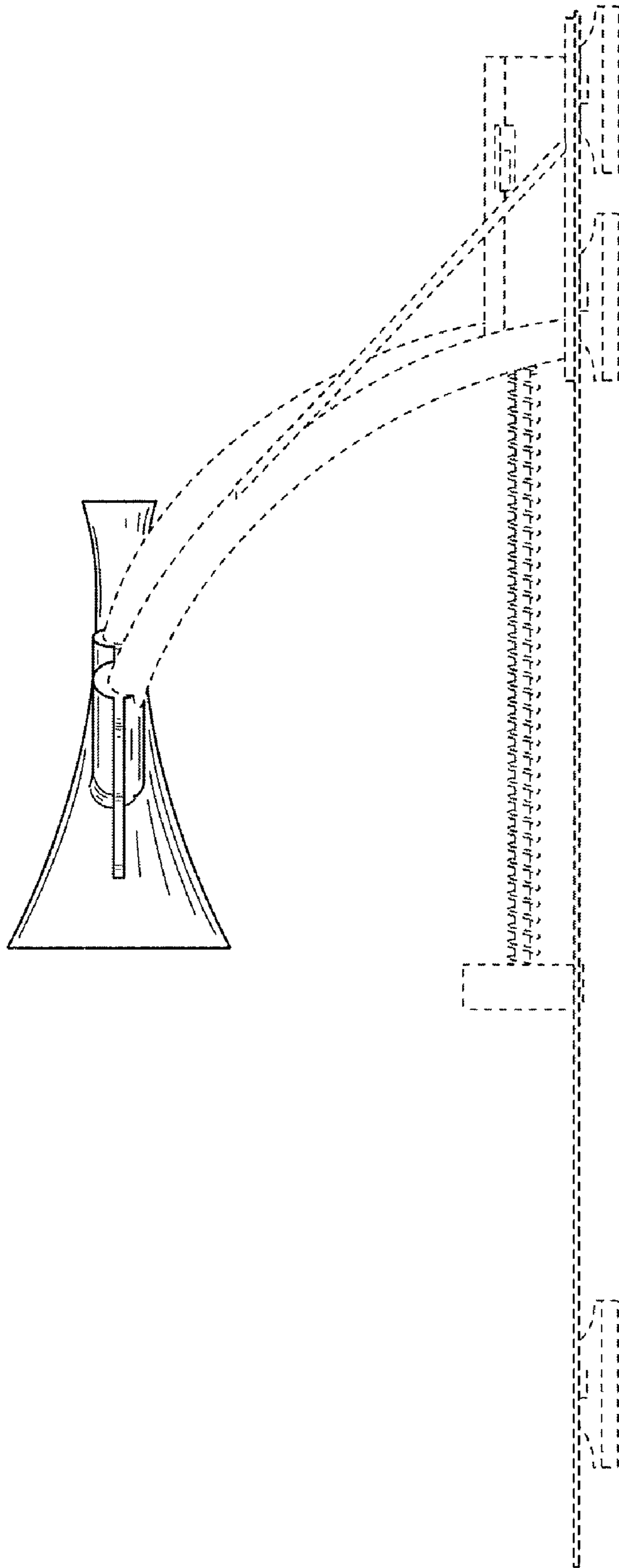


FIG. 3

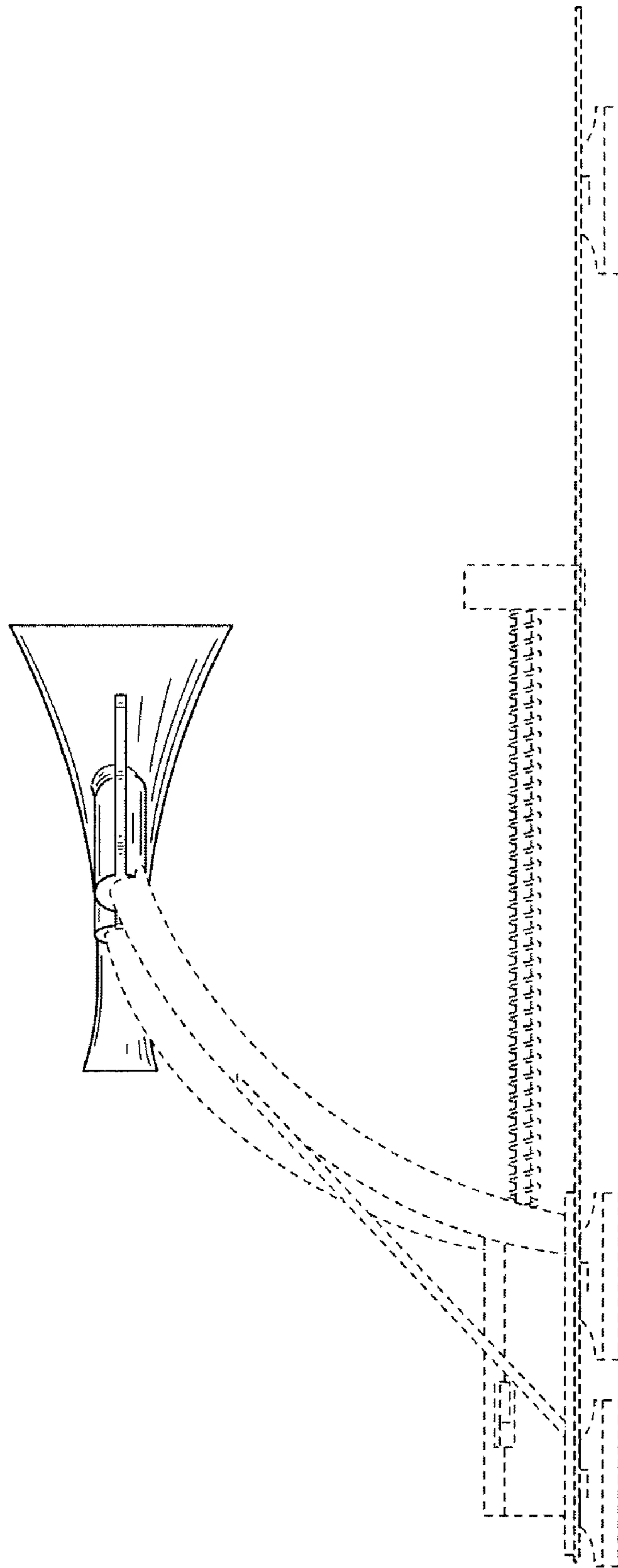


FIG. 4

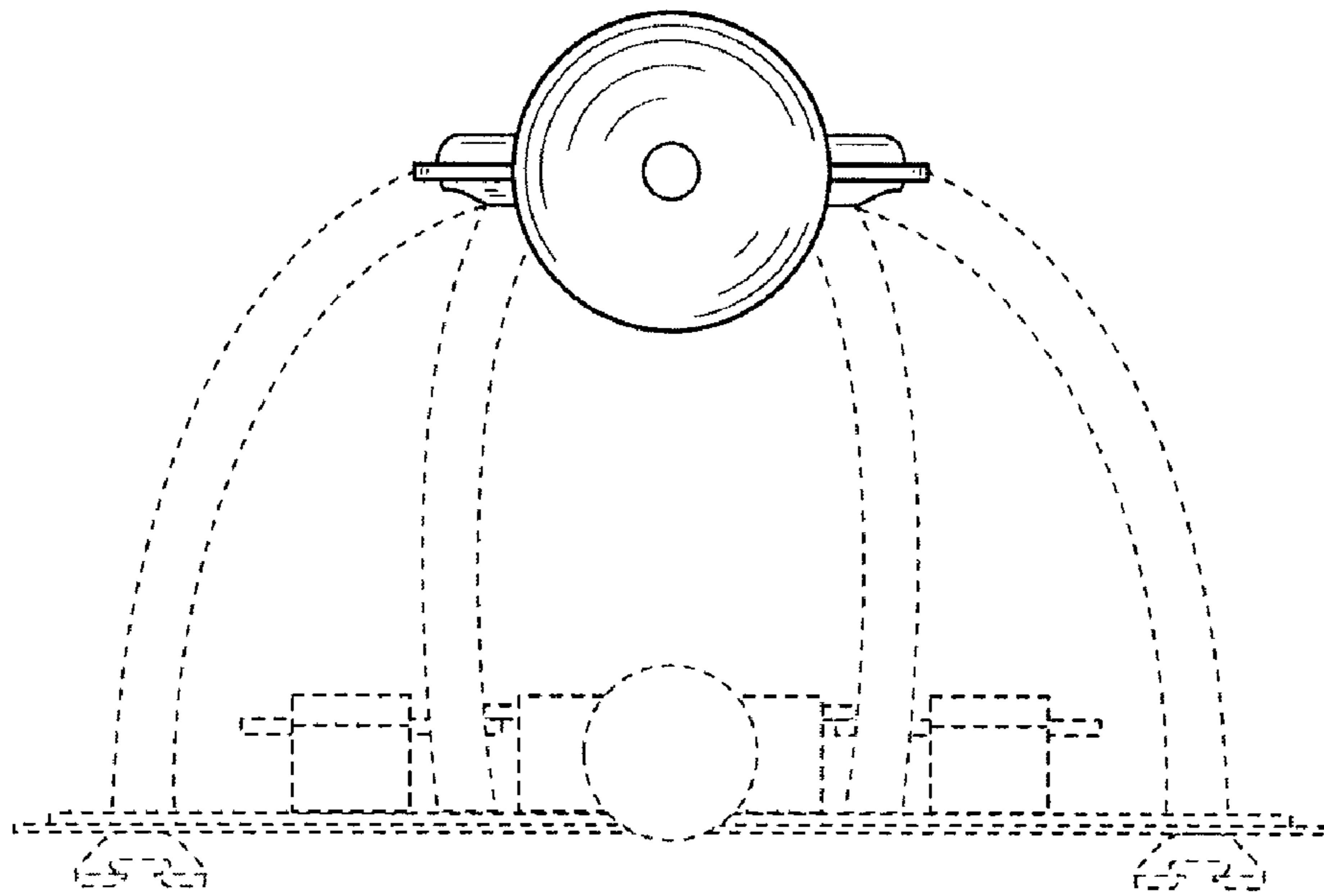


FIG. 5

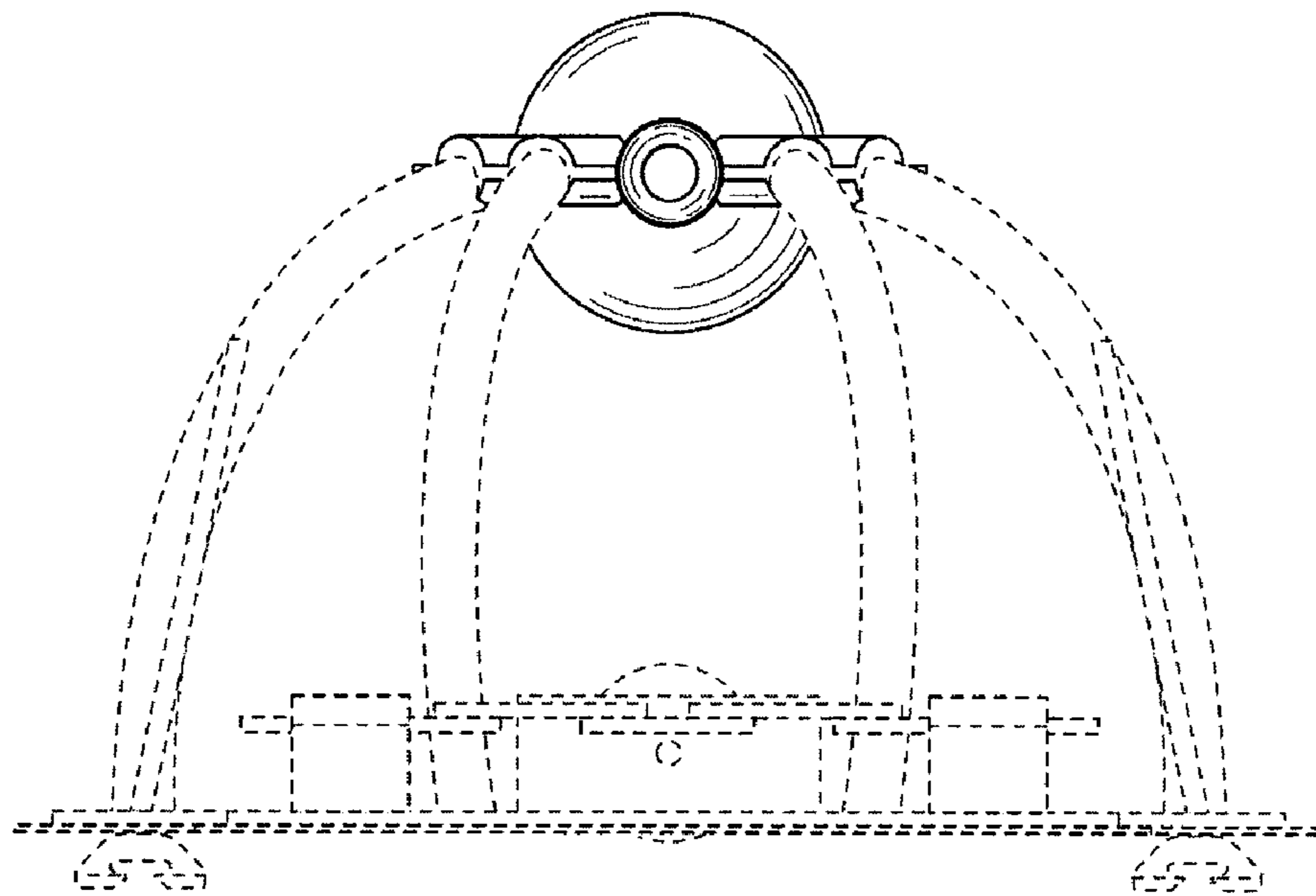


FIG. 6

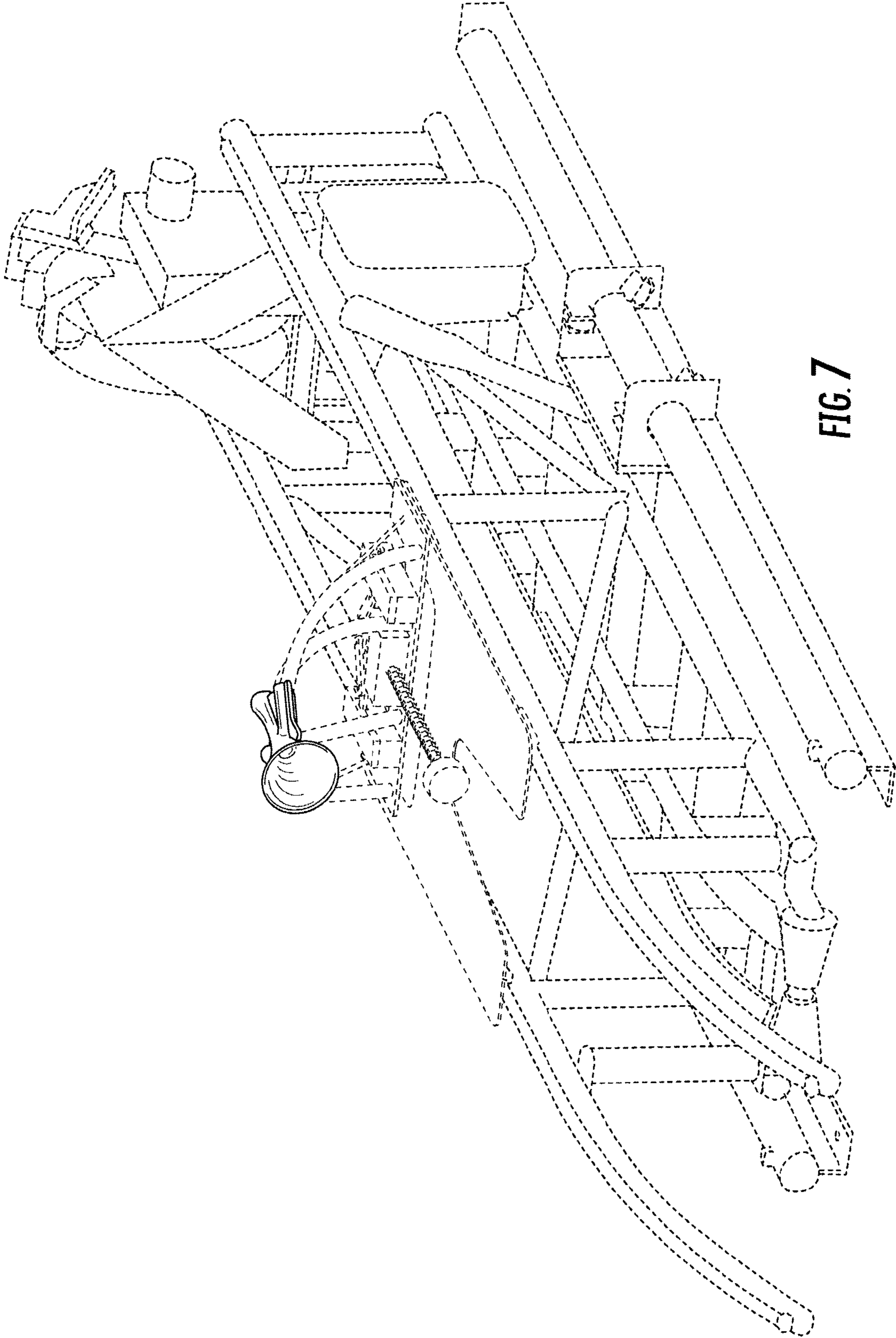


FIG. 7