



US00D630991S

(12) **United States Design Patent**  
**Zhao**

(10) **Patent No.:** **US D630,991 S**  
(45) **Date of Patent:** **\*\* Jan. 18, 2011**

(54) **FRONT FACE OF A VEHICLE WHEEL**

(76) Inventor: **John Zhao**, 283 E. Garvey Ave.,  
Monterey Park, CA (US) 91756

(\*\*) Term: **14 Years**

(21) Appl. No.: **29/357,729**

(22) Filed: **Mar. 16, 2010**

(51) **LOC (9) Cl.** ..... **12-16**

(52) **U.S. Cl.** ..... **D12/211**

(58) **Field of Classification Search** ..... D12/204-213;  
301/37.101, 64.101, 65, 64.201  
See application file for complete search history.

(56) **References Cited**

U.S. PATENT DOCUMENTS

D403,648 S *	1/1999	Feriero	.....	D12/209
D470,093 S *	2/2003	Frizzi	.....	D12/209
D481,982 S *	11/2003	Takechi	.....	D12/211
D504,860 S *	5/2005	Kushartanto	.....	D12/211
D505,371 S *	5/2005	Hueller	.....	D12/209
D515,997 S *	2/2006	Phillips	.....	D12/209

D525,928 S *	8/2006	Pfeiffer	.....	D12/209
D550,140 S *	9/2007	Laengerer	.....	D12/211
D555,568 S *	11/2007	Hetrick	.....	D12/211
D574,310 S *	8/2008	Huet	.....	D12/209
D583,292 S *	12/2008	Chung	.....	D12/211
D613,662 S *	4/2010	Cortes	.....	D12/211

\* cited by examiner

*Primary Examiner*—Stacia Cadmus

(74) *Attorney, Agent, or Firm*—Procopio, Cory, Hargreaves  
& Savitch LLP

(57) **CLAIM**

The ornamental design for a front face of a vehicle wheel, as shown and described.

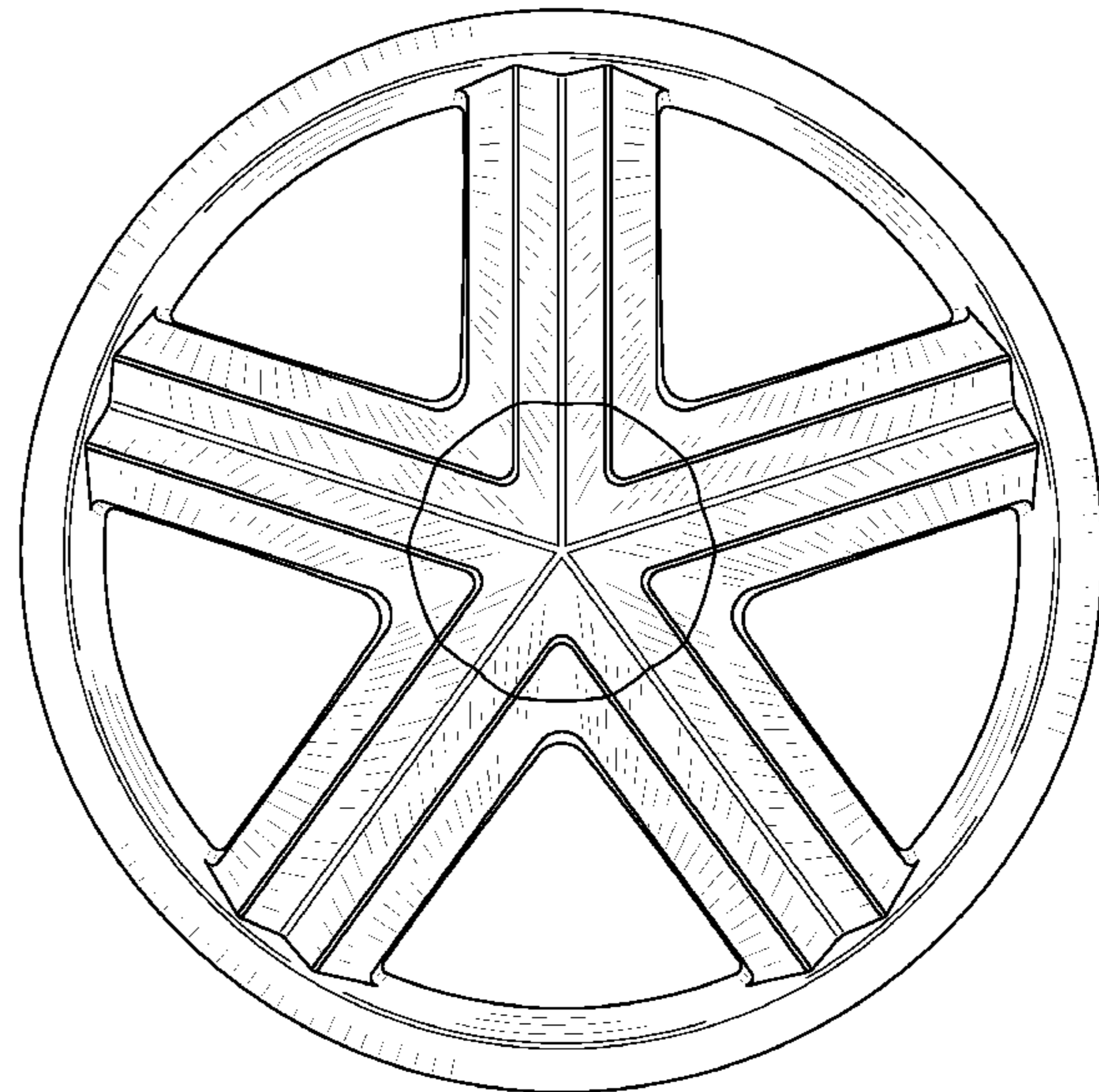
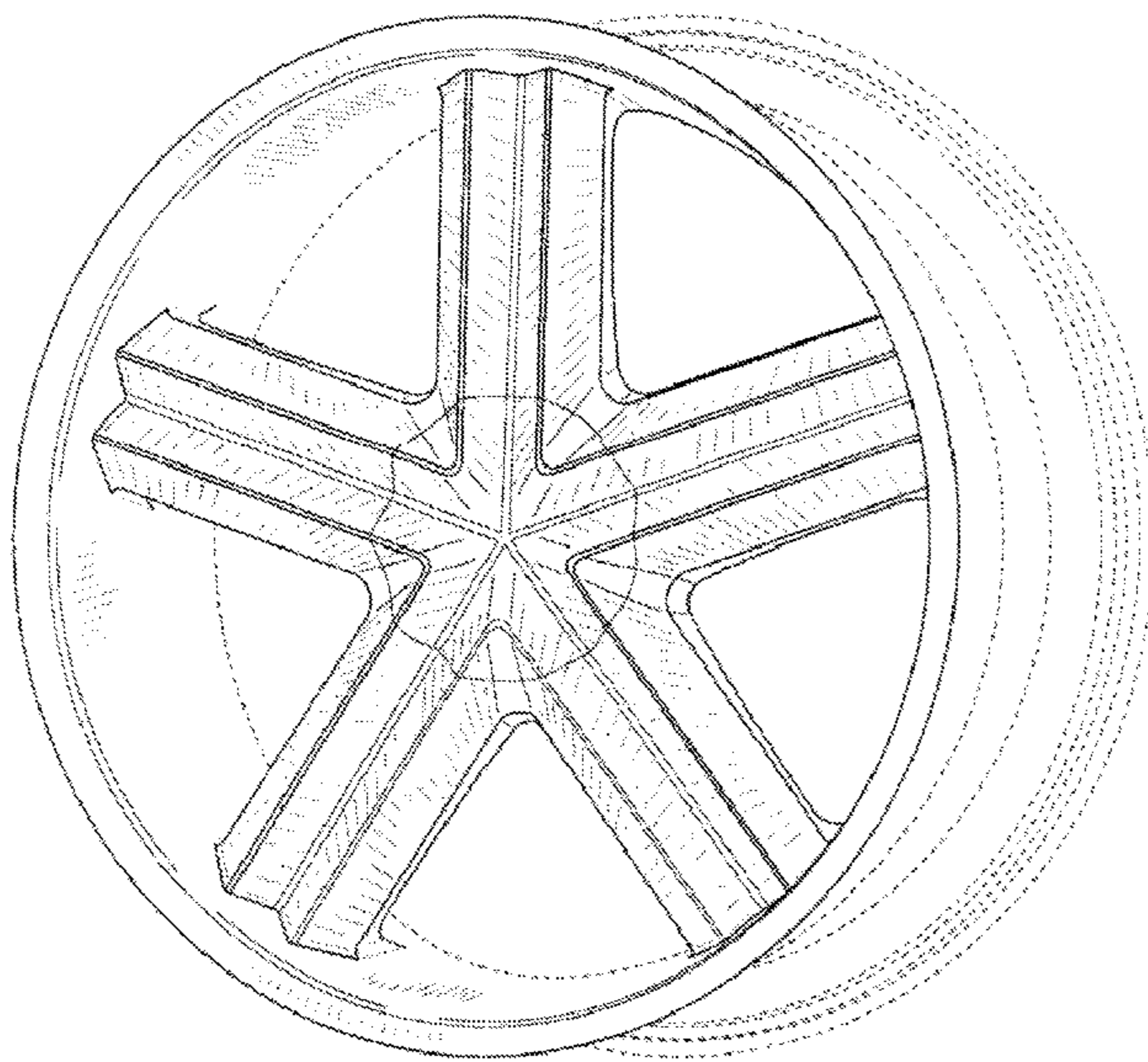
**DESCRIPTION**

FIG. 1 is a perspective view of a front face of a vehicle wheel embodying my new design; and,

FIG. 2 is a front view thereof.

The broken lines are for illustrative purposes only and form no part of the claimed design.

**1 Claim, 2 Drawing Sheets**



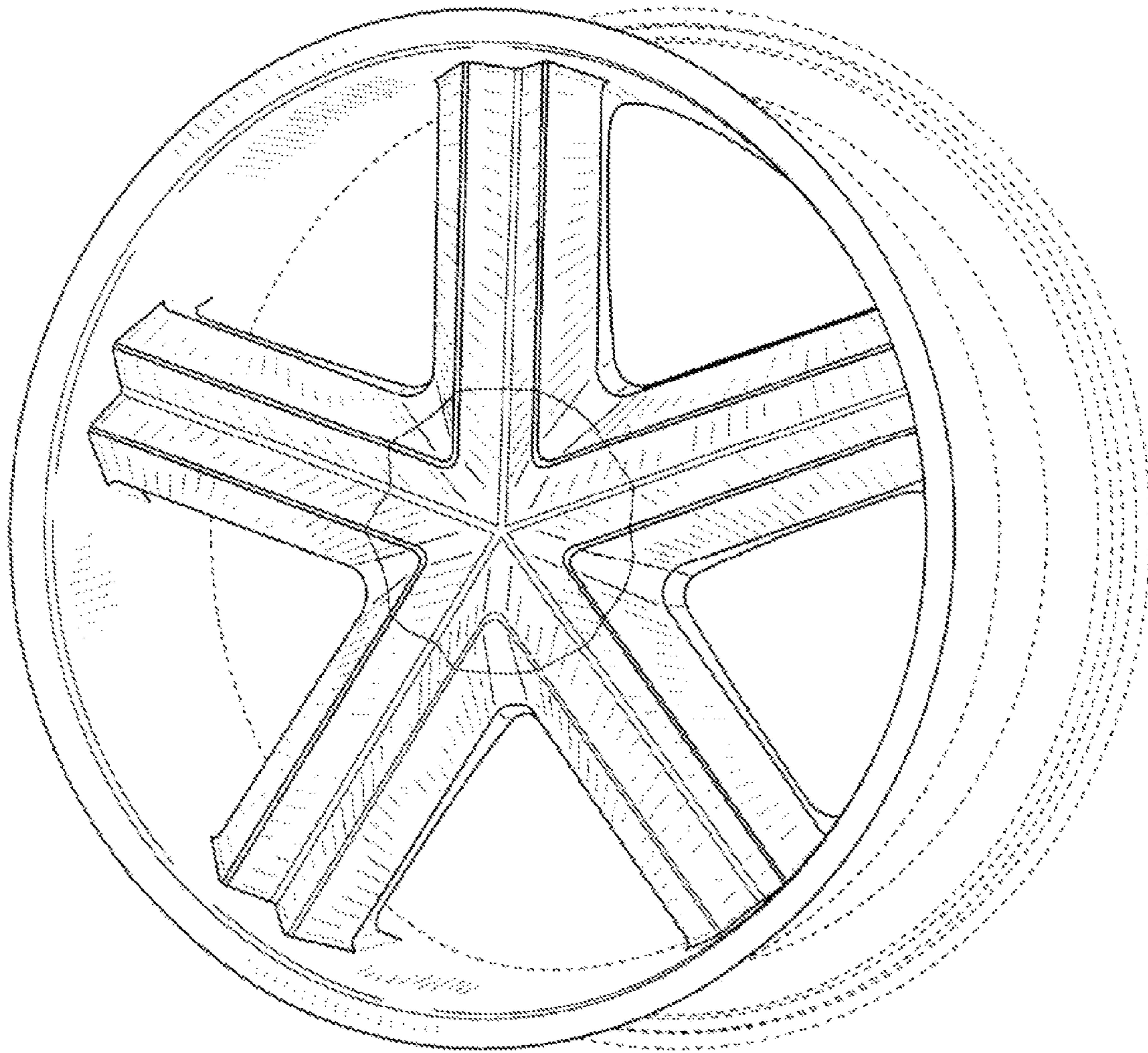
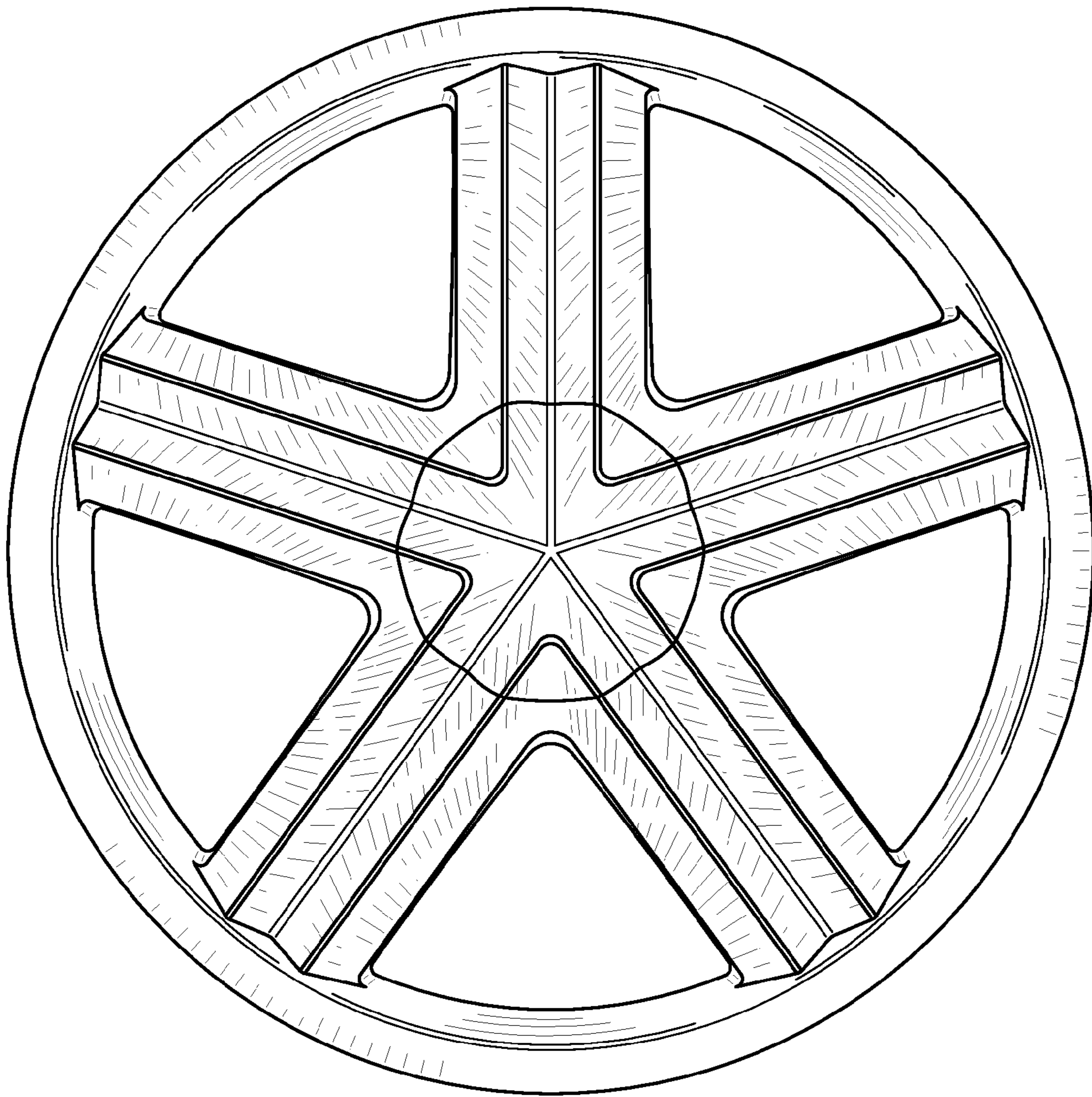


FIG. 1



**FIG. 2**