



US00D630988S

(12) **United States Design Patent**
Schneider

(10) **Patent No.:** **US D630,988 S**
(45) **Date of Patent:** **** Jan. 18, 2011**

(54) **REAR FENDER FOR A VEHICLE**

WO DM/068829 5/2007

(75) Inventor: **Alexander Schneider**, Munich (DE)

* cited by examiner

(73) Assignee: **Bayerische Motoren Werke Aktiengesellschaft**, Munich (DE)

Primary Examiner—Melody N Brown
(74) *Attorney, Agent, or Firm*—Crowell & Moring LLP

(**) Term: **14 Years**

(57) **CLAIM**

(21) Appl. No.: **29/347,791**

The ornamental design for a rear fender for a vehicle, as shown and described.

(22) Filed: **Jun. 7, 2010**

DESCRIPTION

(30) **Foreign Application Priority Data**

Dec. 8, 2009 (DE) 402009006095

This application contains subject matter related to the following co-pending U.S. design patent application:

(51) **LOC (9) Cl.** **12-16**

Application Ser. No. 29/347,801, filed herewith and entitled "Vehicle, Toy, and/or Replicas Thereof".

(52) **U.S. Cl.** **D12/196**

(58) **Field of Classification Search** D12/196,
D12/90-92, 86; 296/181.1, 181.5
See application file for complete search history.

FIG. 1 is a right perspective view of a embodiment of a rear fender for a vehicle according to my design;

FIG. 2 is a left perspective view thereof;

FIG. 3 is a front view thereof;

FIG. 4 is a top view thereof; and

FIG. 5 is a left side view thereof.

(56) **References Cited**

U.S. PATENT DOCUMENTS

D491,857 S *	6/2004	Velazco	D12/196
D505,899 S *	6/2005	Boyer	D12/196
D566,027 S *	4/2008	Gavriles	D12/196
D580,838 S *	11/2008	Gabath et al.	D12/184
D583,286 S *	12/2008	Leclercq	D12/184
D597,004 S *	7/2009	Habib	D12/184
D605,084 S	12/2009	Szavits		
D605,101 S *	12/2009	Mueller	D12/196
D620,413 S *	7/2010	Huet	D12/196

FIG. 6 is a left perspective view of a second embodiment of the rear fender for a vehicle according to my design;

FIG. 7 is a right perspective view of FIG. 6;

FIG. 8 is a front view of FIG. 6;

FIG. 9 is a top view of FIG. 6; and,

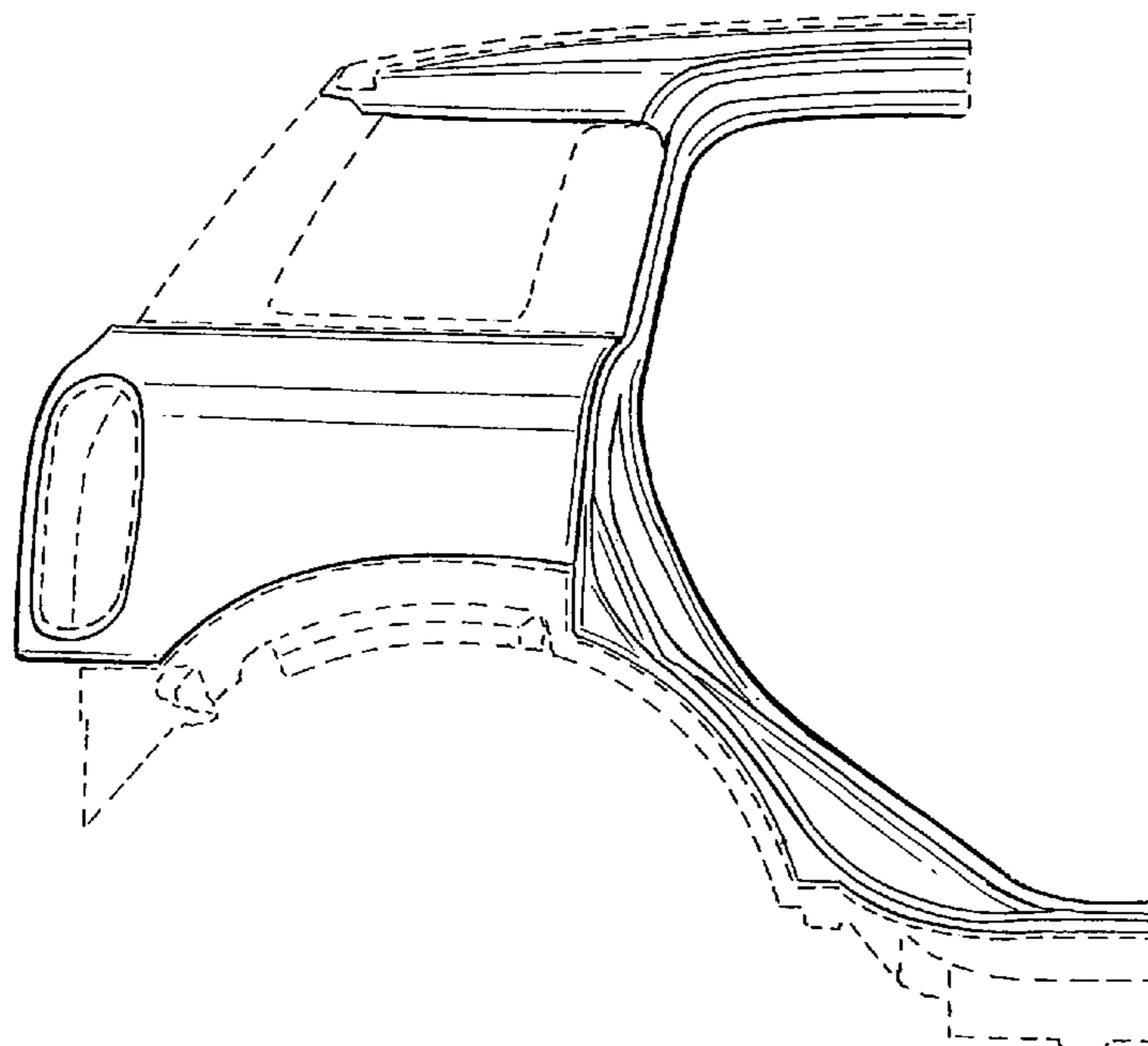
FIG. 10 is a right side view of FIG. 6.

The broken lines are for illustrative purposes only and form no part of the claimed design.

FOREIGN PATENT DOCUMENTS

EM 001104913-0001 4/2009

1 Claim, 6 Drawing Sheets



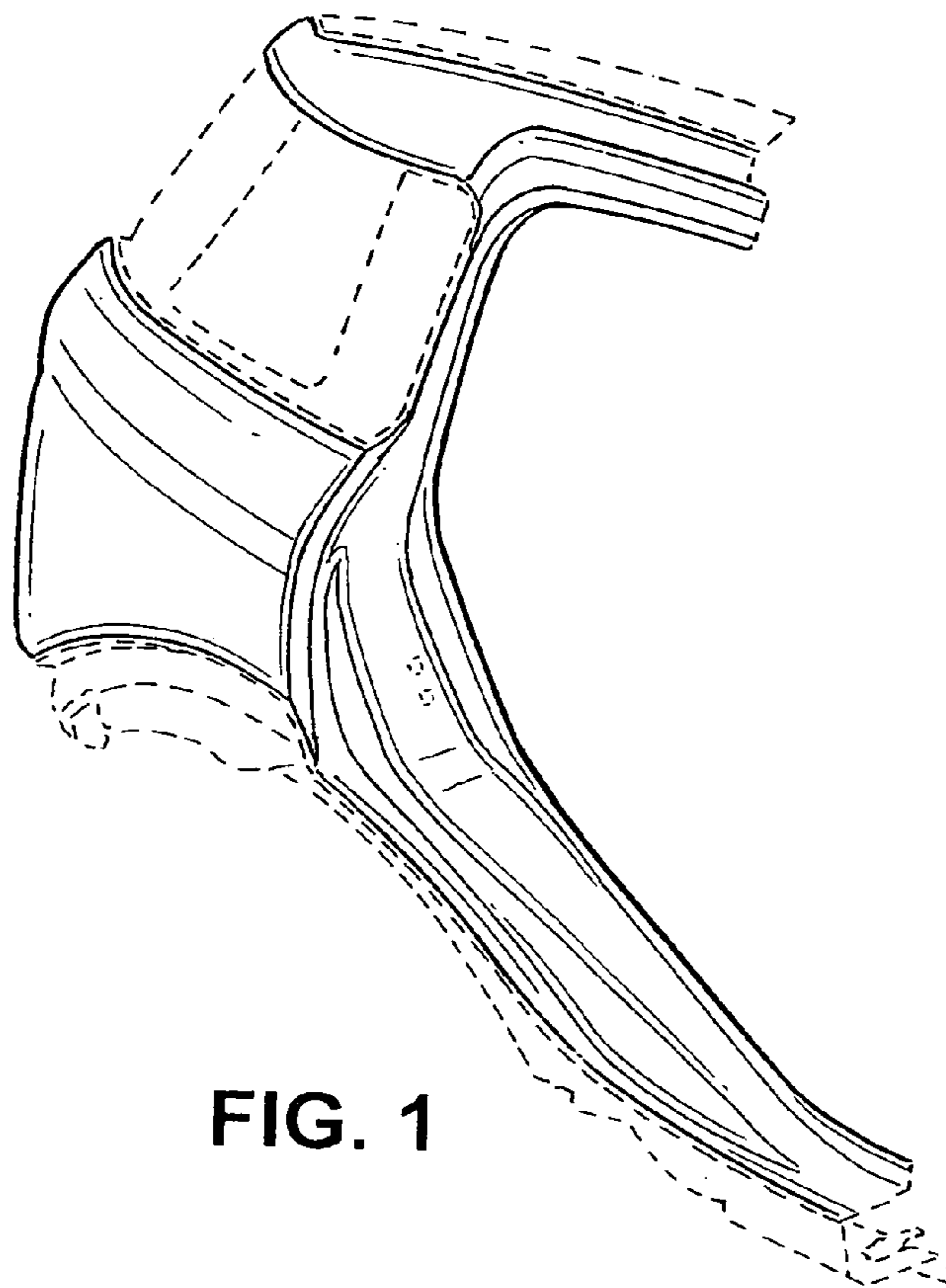


FIG. 1

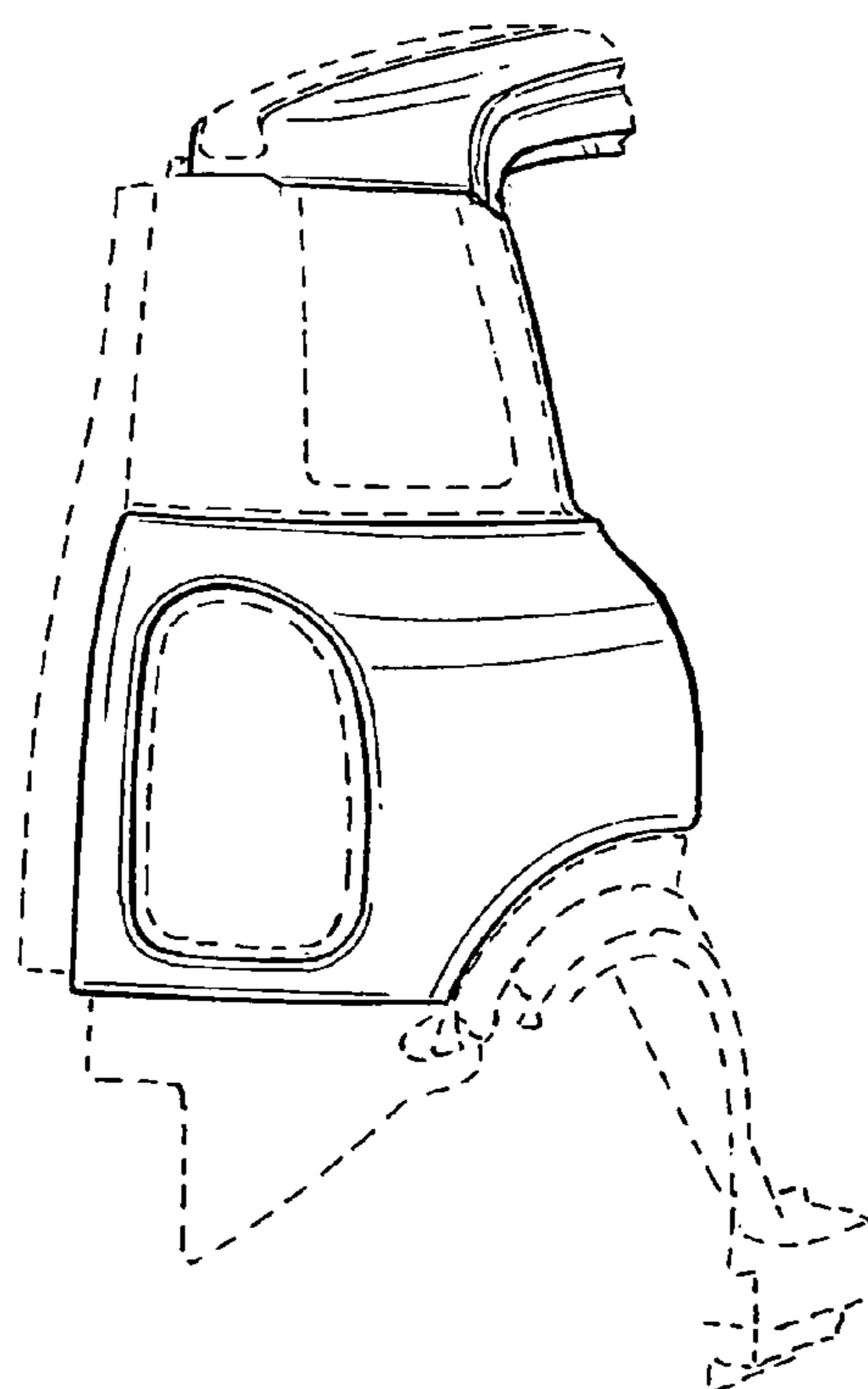


FIG. 2

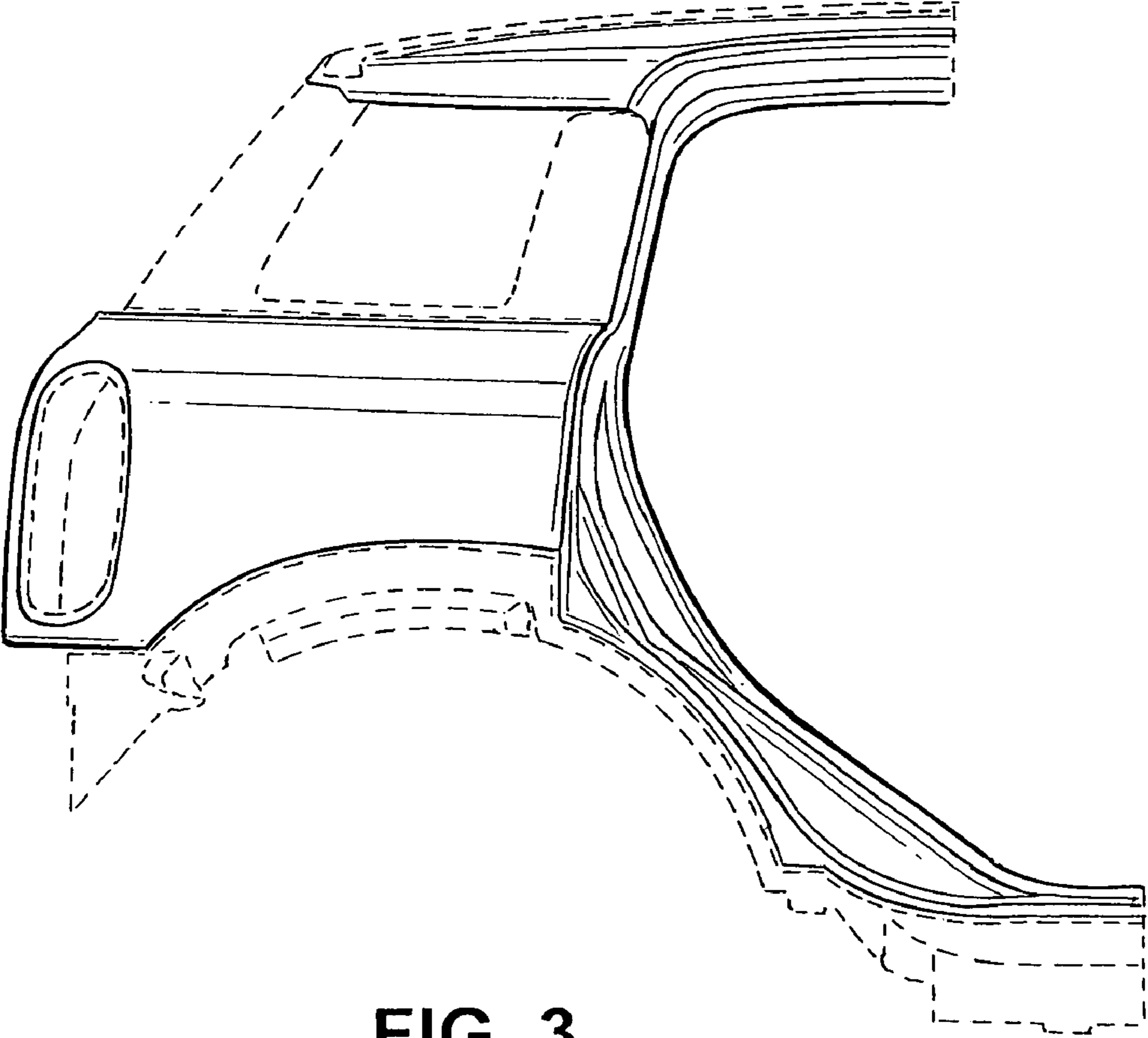


FIG. 3

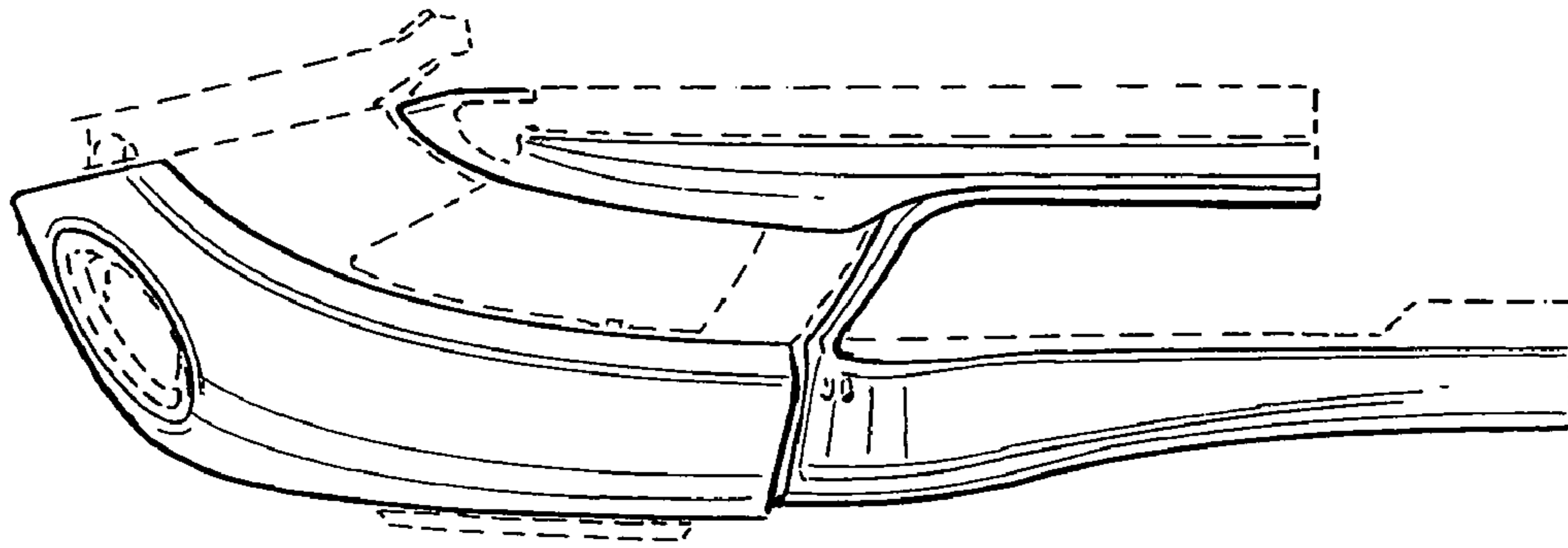


FIG. 4

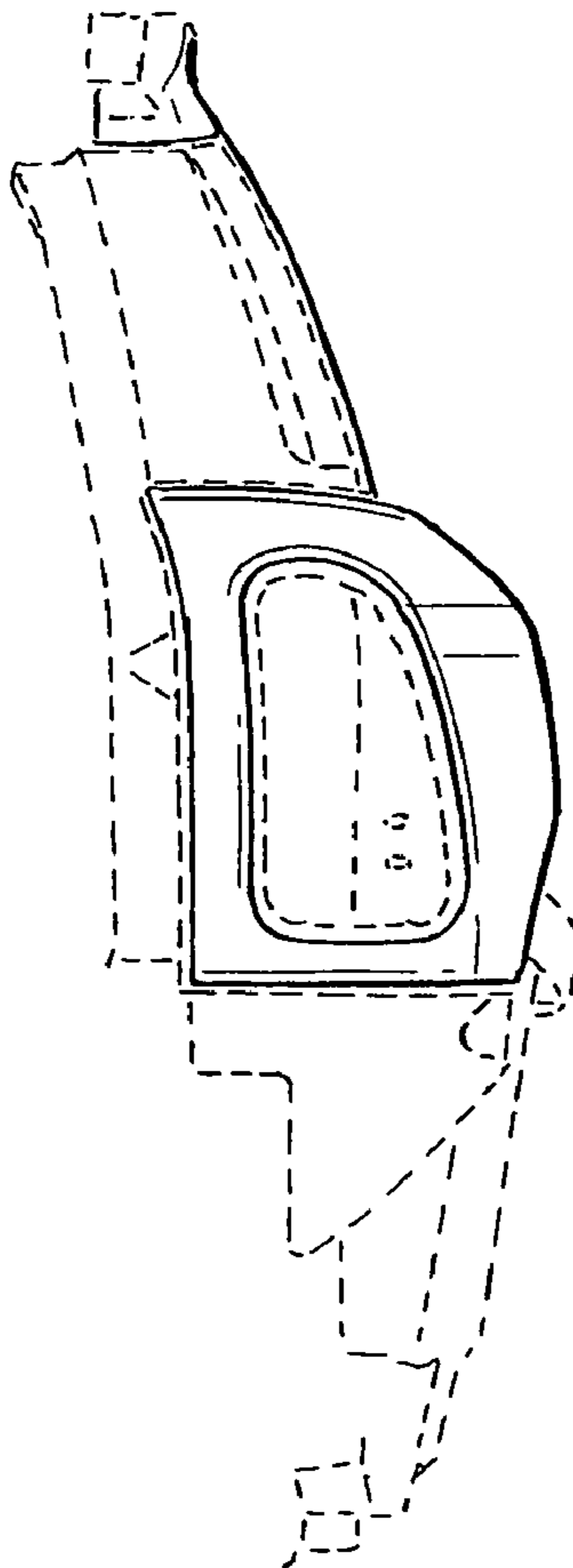


FIG. 5

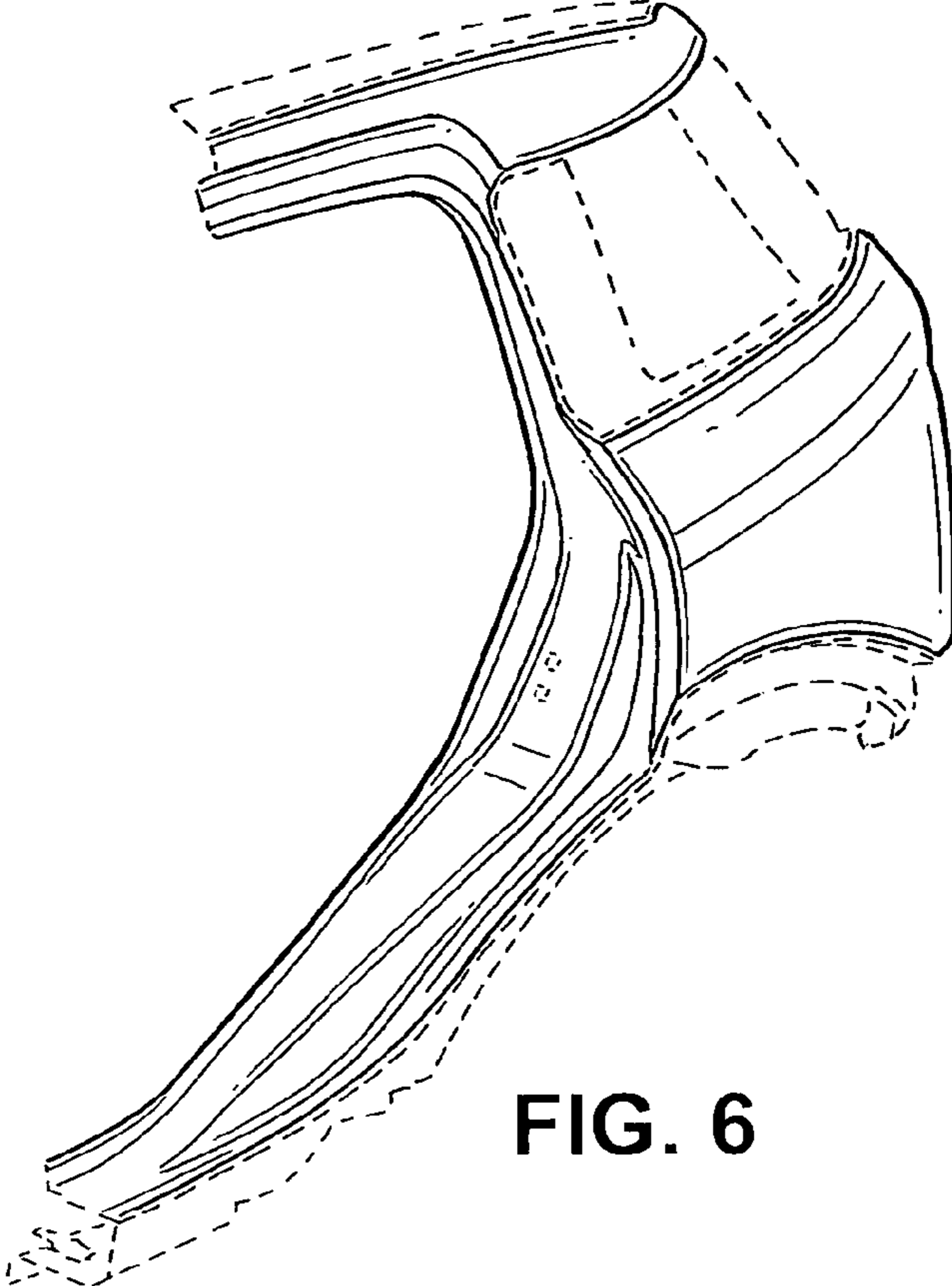


FIG. 6

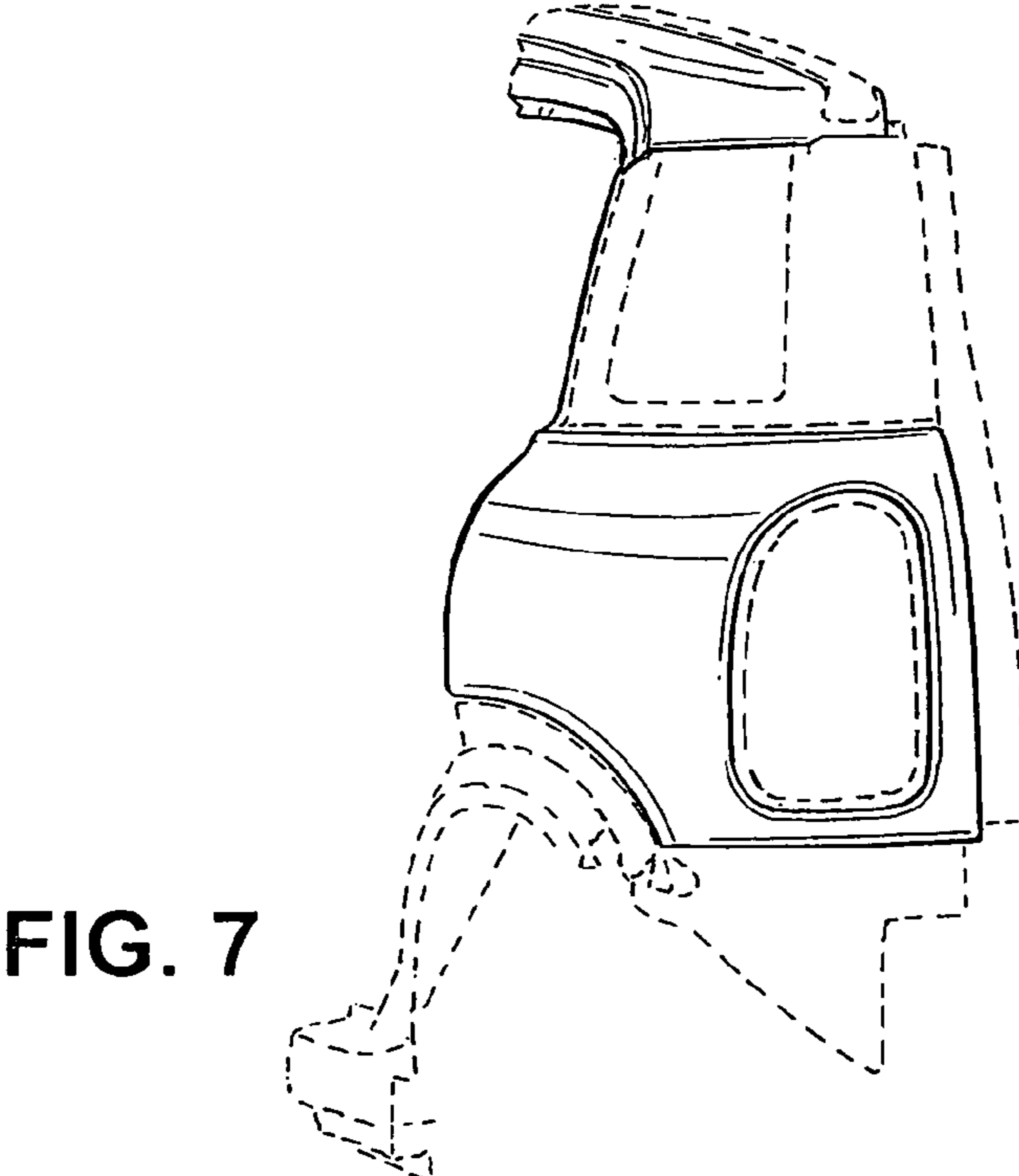


FIG. 7

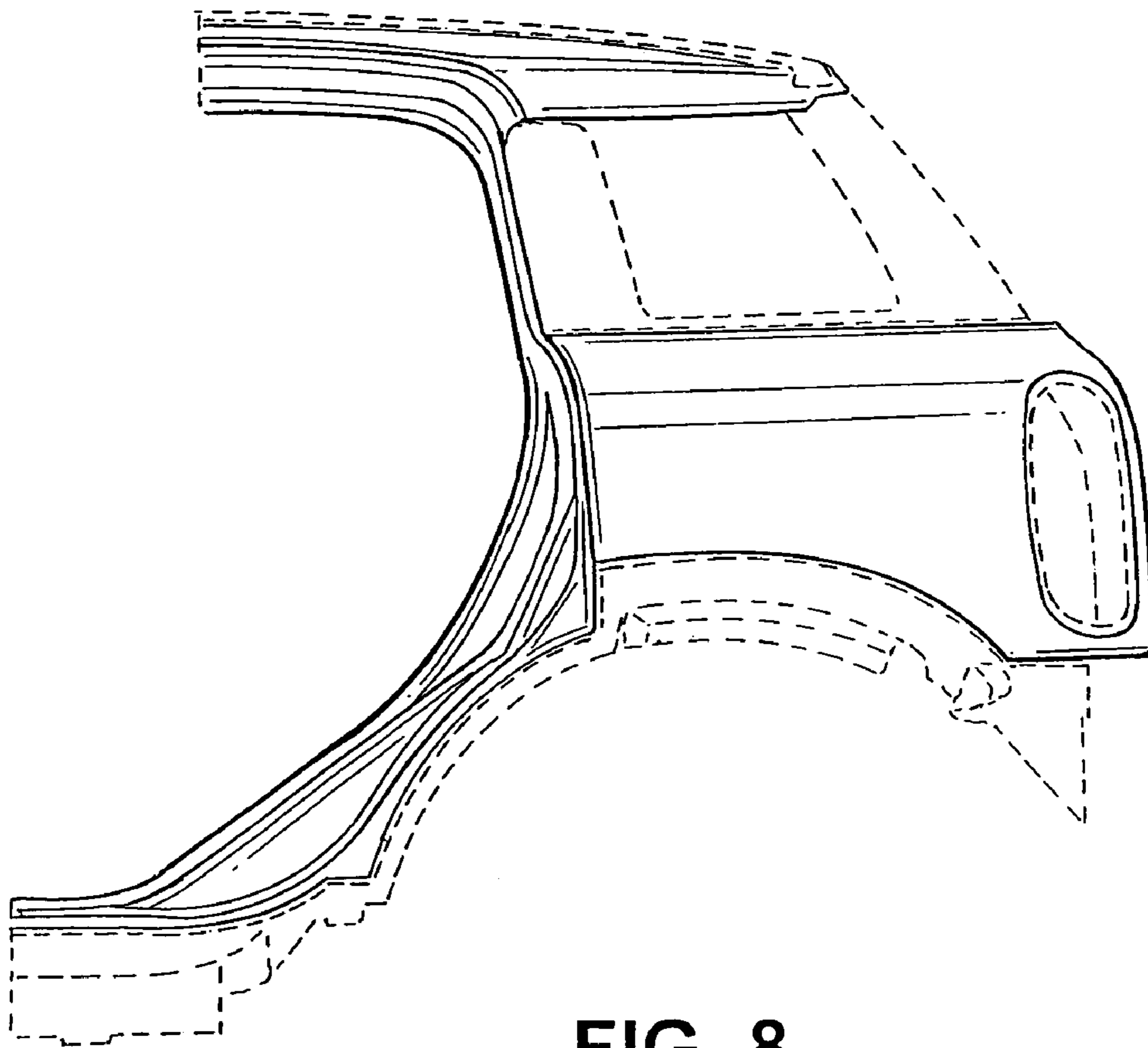


FIG. 8

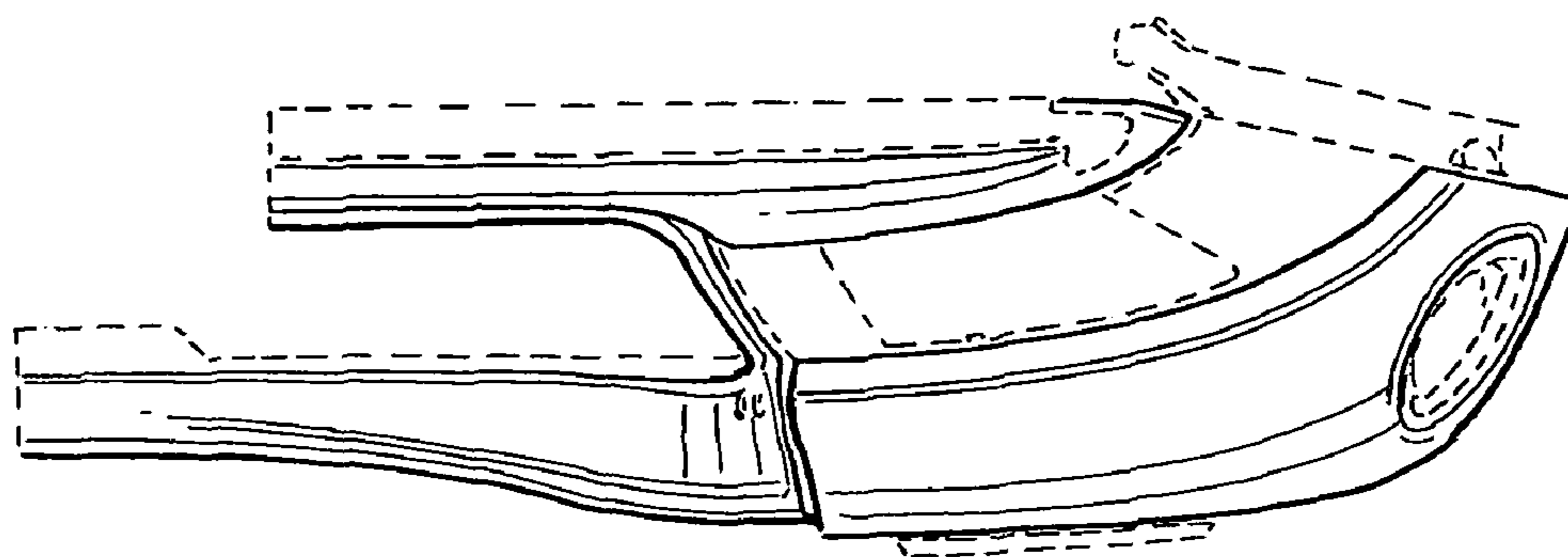


FIG. 9

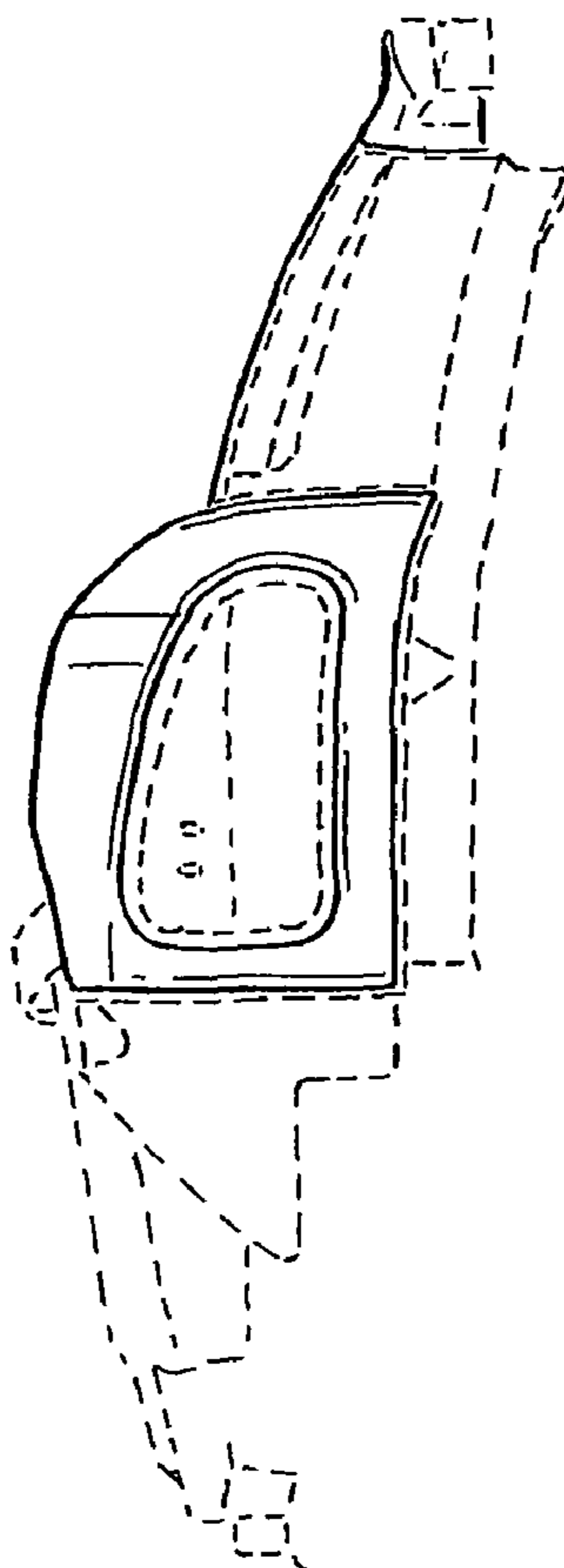


FIG. 10