



US00D630984S

(12) **United States Design Patent**
Arbesman et al.

(10) **Patent No.:** **US D630,984 S**

(45) **Date of Patent:** **** Jan. 18, 2011**

(54) **REPLACEABLE FRICTION ELEMENT FOR A BRAKE PAD UNIT**

(76) Inventors: **Ray Arbesman**, 42 Burton Road,
Toronto, Ontario (CA) M5P 1V2; **Nghi Pham**, 100 Prairie Dunes Place,
Concord, Ontario (CA) L4K 2E4;
Stewart Kahan, 115 Laporte Street,
Dollard-des-Ormeaux, Quebec (CA)
H9A 3E3

(**) Term: **14 Years**

(21) Appl. No.: **29/361,350**

(22) Filed: **May 10, 2010**

(30) **Foreign Application Priority Data**

Nov. 12, 2009 (CA) 132914

(51) **LOC (9) Cl.** **12-16**

(52) **U.S. Cl.** **D12/180**

(58) **Field of Classification Search** D12/180;
188/71.1, 73.3, 73.31-73.39, 72.2, 72.4,
188/73.41-73.46, 218 XL, 370, 1.11 W, 264 A,
188/264 AA, 18 A; 192/169.2, 169.3, 107 R
See application file for complete search history.

(56) **References Cited**

U.S. PATENT DOCUMENTS

4,362,225 A	12/1982	Drott	
5,429,215 A	7/1995	King	
5,499,705 A	3/1996	Ide	
5,538,104 A	7/1996	Katz et al.	
5,732,800 A	3/1998	Spigener	
5,743,361 A	4/1998	Winter	
5,842,546 A *	12/1998	Biswas	188/73.37
6,244,396 B1	6/2001	Lumpkin	
6,367,594 B1 *	4/2002	Barbosa et al.	188/73.1
D506,423 S *	6/2005	Matsumoto	D12/180
D507,773 S *	7/2005	Ono	D12/180
6,983,831 B2 *	1/2006	Beri	188/250 B
7,051,847 B2	5/2006	Wirth	
7,324,448 B2 *	1/2008	Lee et al.	370/232
D608,708 S *	1/2010	Liu et al.	D12/180

D610,509 S *	2/2010	Liu et al.	D12/180
D612,780 S *	3/2010	Liu et al.	D12/180
D622,646 S *	8/2010	Arbesman et al.	D12/180
D623,101 S *	9/2010	Arbesman et al.	D12/180

FOREIGN PATENT DOCUMENTS

CA	2081209 A1	9/1992
CA	2226358 A1	8/1998
CA	2642966 A1	6/2008
EP	1180612 A1	2/2002
EP	1691102 A1	8/2006
FR	2446962 A1	8/1980
FR	2745349 A1	8/1997
GB	1485701 A	9/1977
JP	2008106850 A	5/2008

OTHER PUBLICATIONS

U.S. Appl. No. 29/350,776, filed Nov. 23, 2009, Ray Arbesman, et al.
U.S. Appl. No. 29/350,773, filed Nov. 23, 2009, Ray Arbesman, et al.

* cited by examiner

Primary Examiner—Melody N Brown

(74) *Attorney, Agent, or Firm*—Patterson & Sheridan, LLP

(57) **CLAIM**

The ornamental design for a replaceable friction element for a brake pad unit, as shown and described.

DESCRIPTION

FIG. 1 is a top perspective view of a replaceable friction element for a brake pad unit showing our new design;

FIG. 2 is a bottom perspective view thereof;

FIG. 3 is a bottom view thereof;

FIG. 4 is a rear view thereof;

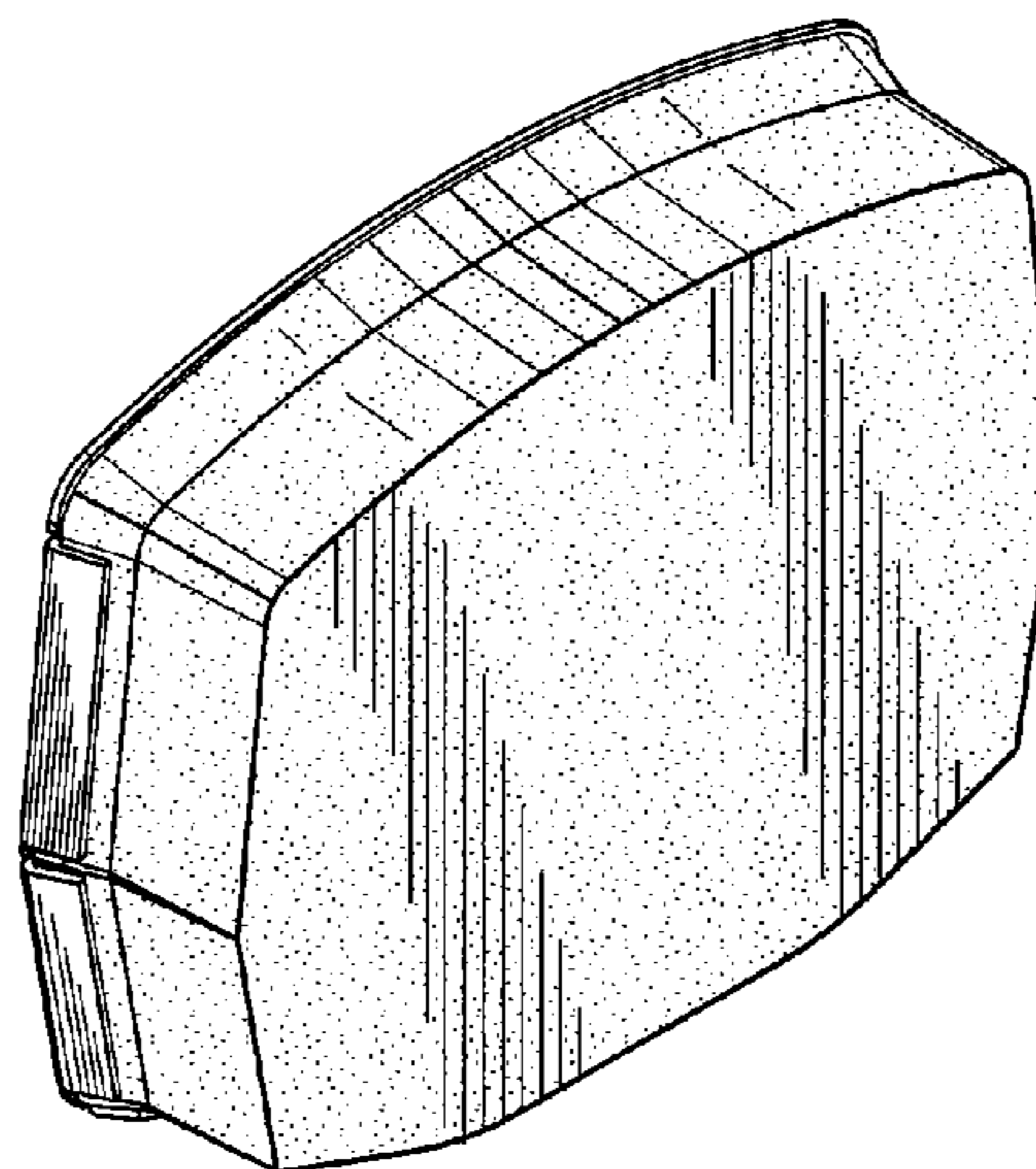
FIG. 5 is a front view thereof;

FIG. 6 is a side view thereof and;

FIG. 7 is an opposite side view thereof; and,

FIG. 8 is a second side view thereof, the second side being opposite the first side.

1 Claim, 4 Drawing Sheets



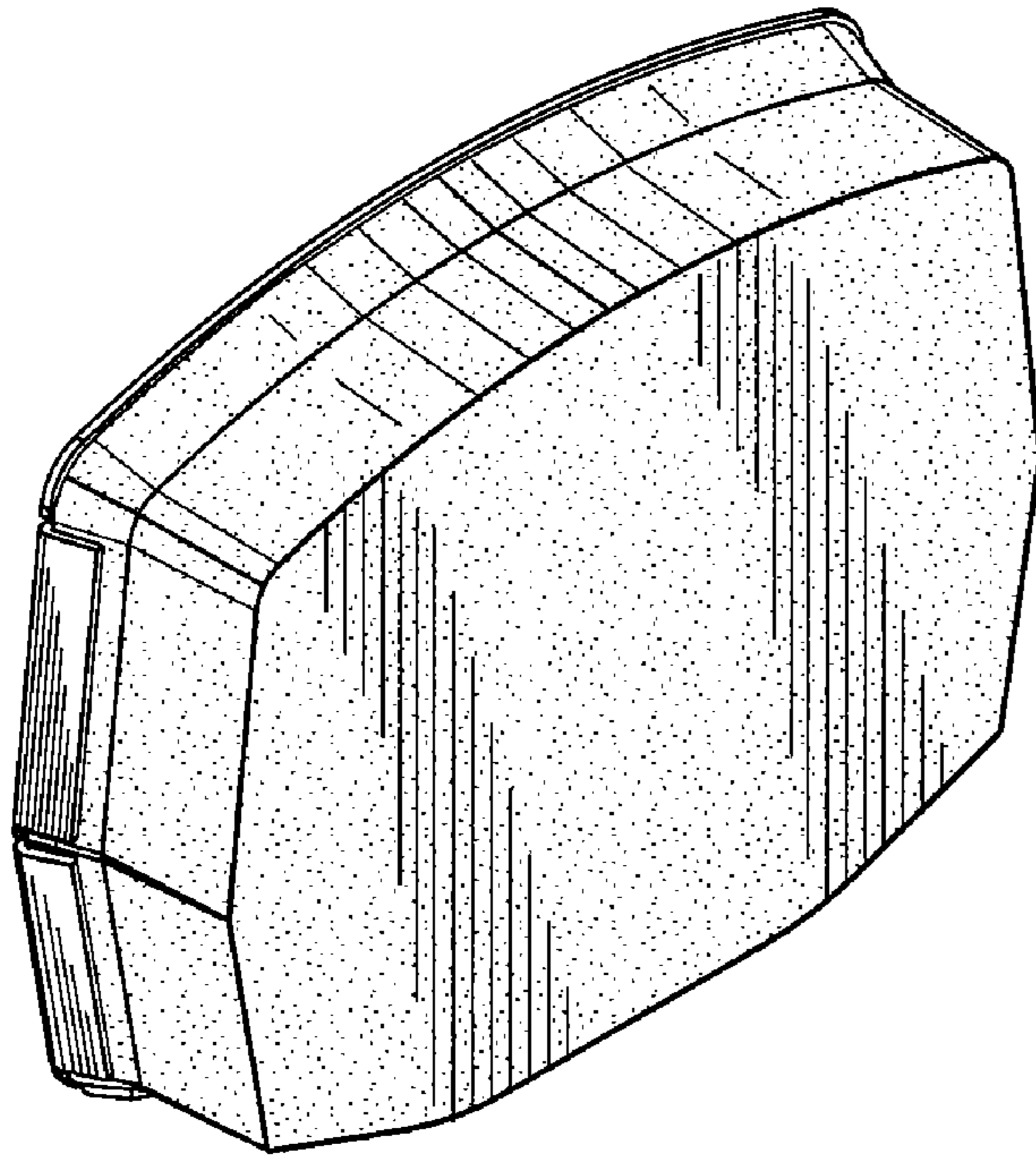


FIG. 1

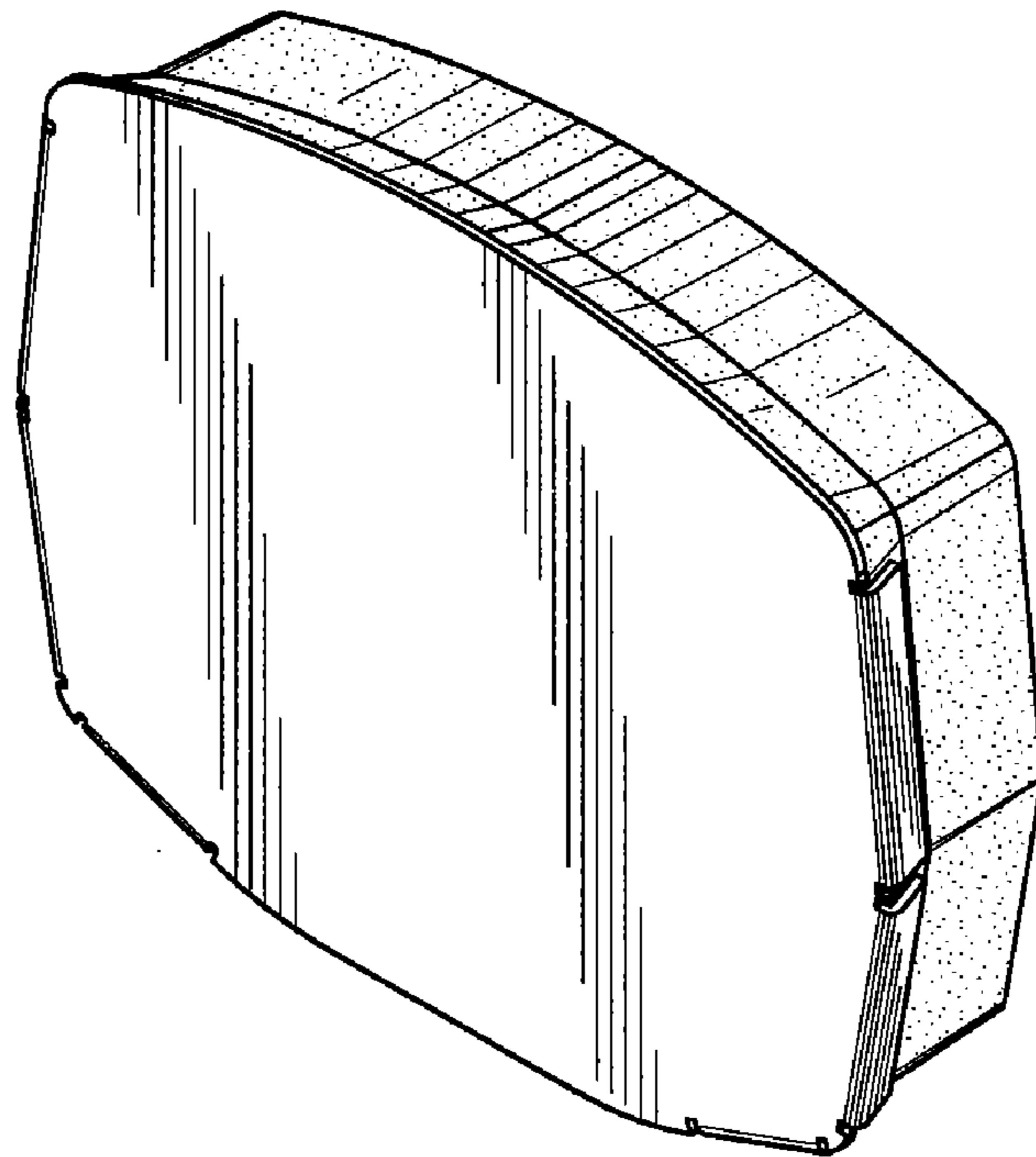


FIG. 2

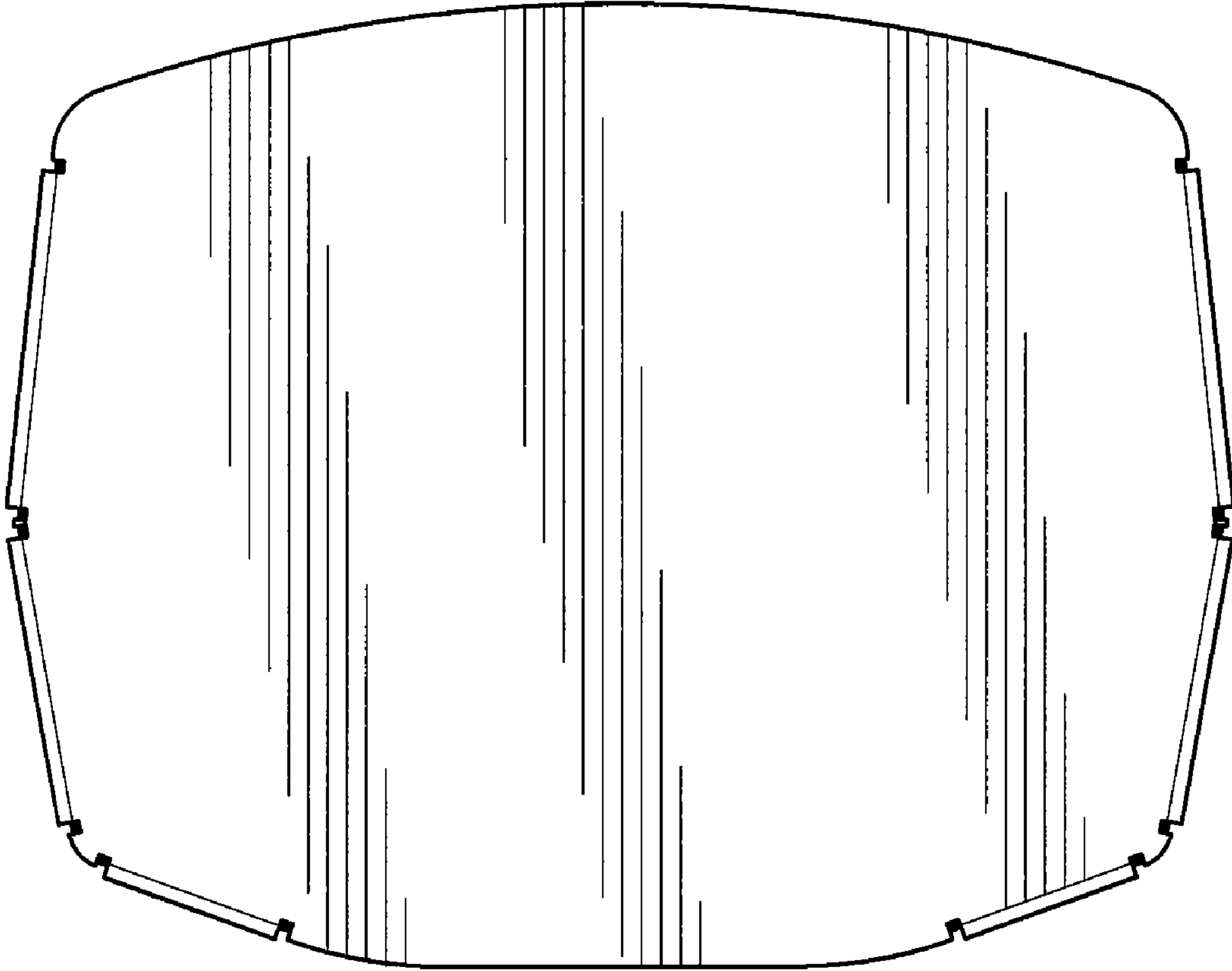


FIG.3

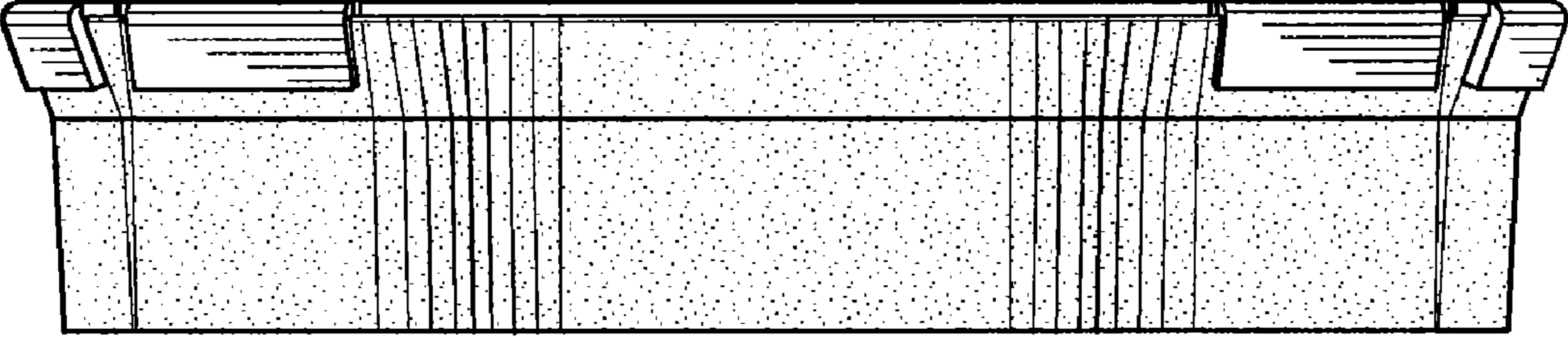


FIG.4

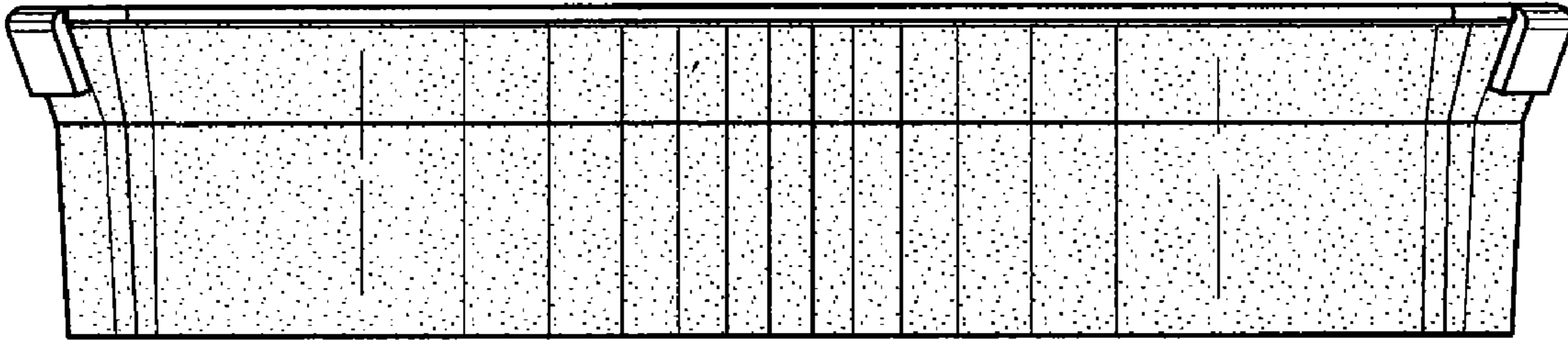


FIG.5

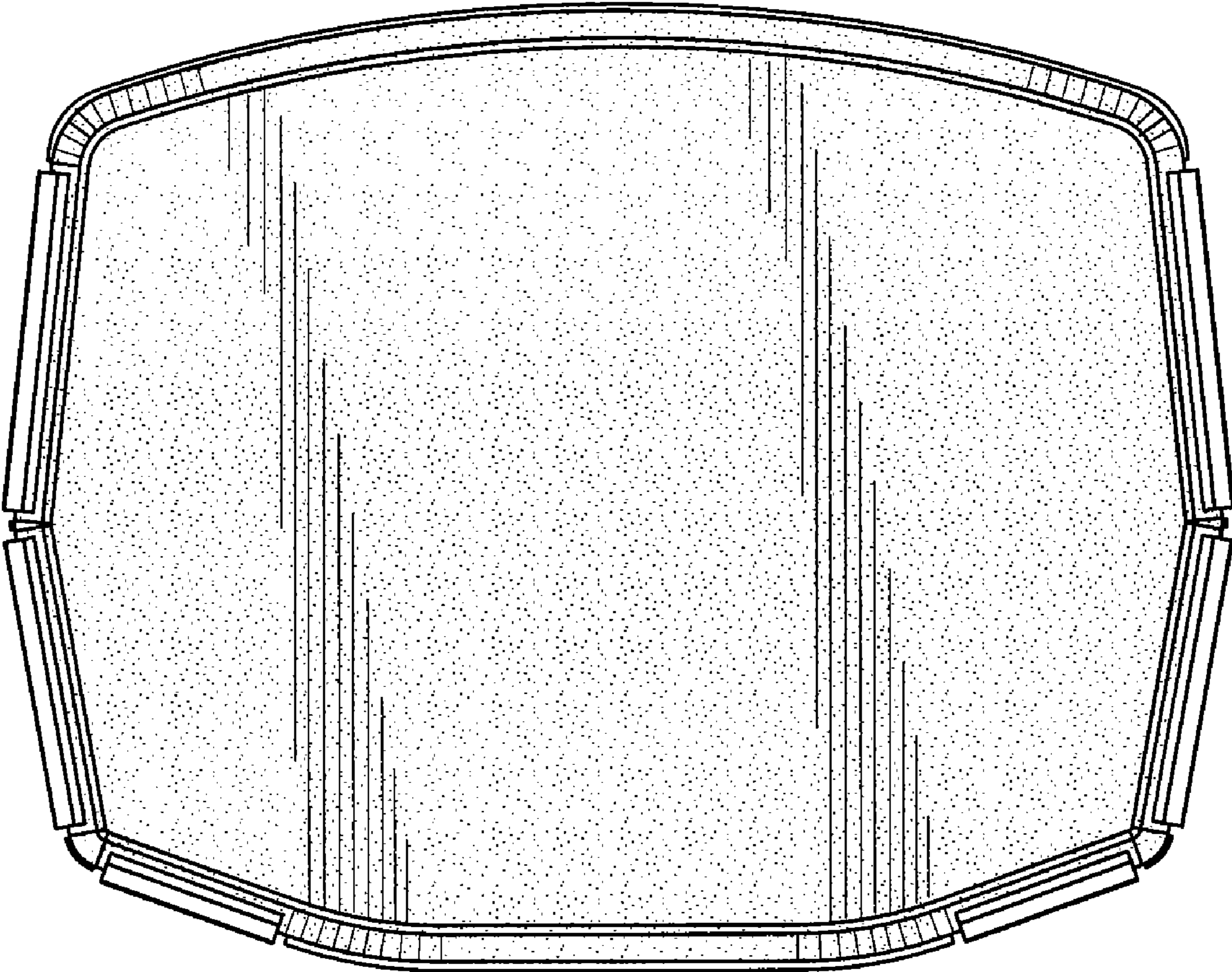


FIG.6

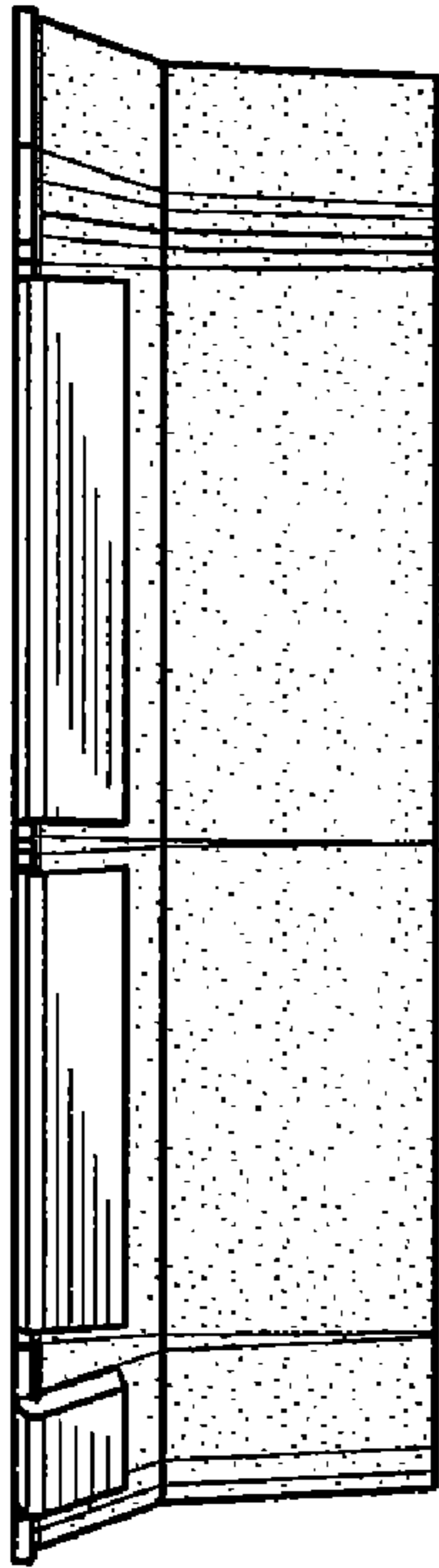


FIG. 7

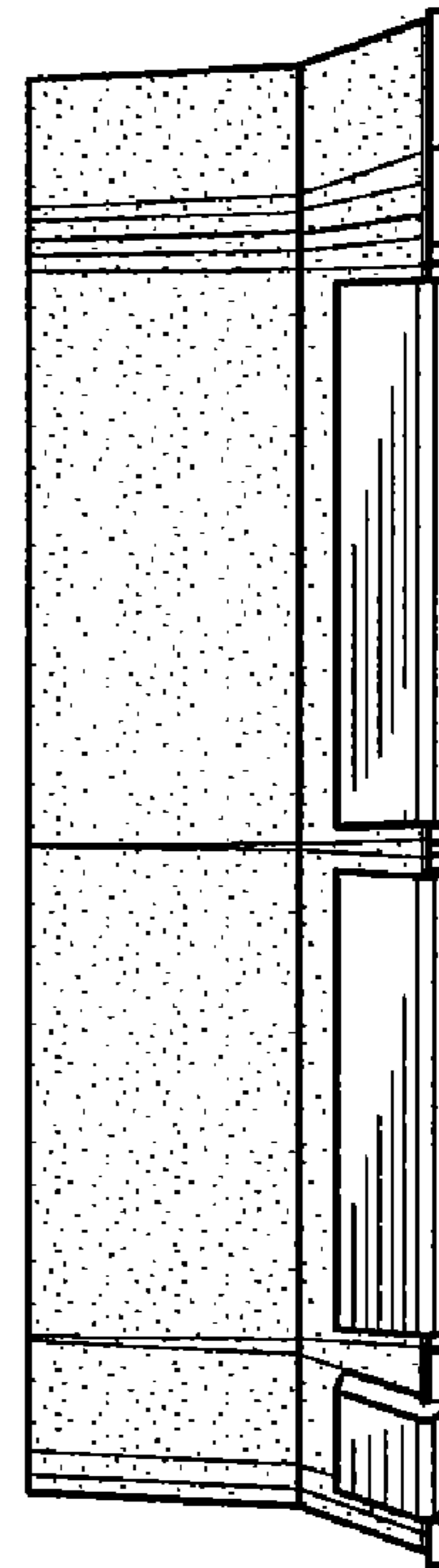


FIG. 8

UNITED STATES PATENT AND TRADEMARK OFFICE
CERTIFICATE OF CORRECTION

PATENT NO. : D630,984 S
APPLICATION NO. : 29/361350
DATED : January 18, 2011
INVENTOR(S) : Arbesman et al.

Page 1 of 1

It is certified that error appears in the above-identified patent and that said Letters Patent is hereby corrected as shown below:

In the Description:

Please delete “Fig. 7 is an opposite side view thereof; and,” and insert -- Fig. 7 is a side view thereof and; -- therefor;

Please delete “Fig. 8 is a second side view thereof, the second side being opposite the first side.” and insert -- Fig. 8 is an opposite side view thereof. -- therefor.

Signed and Sealed this
Third Day of May, 2011

A handwritten signature in black ink that reads "David J. Kappos". The signature is written in a cursive style with a large, stylized 'D' and 'K'.

David J. Kappos
Director of the United States Patent and Trademark Office