

US00D630978S

(12) **United States Design Patent**
Koshino et al.

(10) **Patent No.:** **US D630,978 S**
(45) **Date of Patent:** **** Jan. 18, 2011**

(54) **FRONT BUMPER WITH FRONT GRILLE FOR AN AUTOMOBILE**

(75) Inventors: **Tatsurou Koshino**, Yokosuka (JP);
Tetsuya Nakagawa, Yokosuka (JP);
Takeo Okuno, Yokosuka (JP)

(73) Assignee: **Toyota Jidosha Kabushiki Kaisha** (JP)

(**) Term: **14 Years**

(21) Appl. No.: **29/359,229**

(22) Filed: **Apr. 7, 2010**

(51) **LOC (9) Cl.** **12-16**

(52) **U.S. Cl.** **D12/169**

(58) **Field of Classification Search** D12/169,
D12/196, 171, 163, 216, 90-92, 86; 293/102,
293/113, 115, 117, 120; 296/180.1, 180.2
See application file for complete search history.

(56) **References Cited**

U.S. PATENT DOCUMENTS

D563,846 S	*	3/2008	Suga et al.	D12/169
D582,819 S	*	12/2008	Miyazawa et al.	D12/169
D604,210 S	*	11/2009	Kim	D12/163
D609,613 S	*	2/2010	Okue et al.	D12/169
D619,514 S	*	7/2010	Syouji et al.	D12/169

OTHER PUBLICATIONS

Mazda Demio, JAF Publishing Co., Saishin Kokusan & Yunyuusha Zen Moderu Kounyuu Gaido 2009, Jan. 15, 2009.
Nissan Murano, JAF Publishing Co., Saishin Kokusan & Yunyuusha Zen Moderu Kounyuu Gaido 2009, Jan. 15, 2009.
Toyota Alphard 350S C package, San-eishobo Publishing Co., Ltd., Shingata Alphard/Vellfire no Subete, Jul. 3, 2008.

* cited by examiner

Primary Examiner—Melody N Brown

(74) *Attorney, Agent, or Firm*—Saidman DesignLaw Group

(57) **CLAIM**

The ornamental design for a front bumper with front grille for an automobile, as shown and described.

DESCRIPTION

FIG. 1 is a front, perspective view of a front bumper with front grille for an automobile showing our new design;

FIG. 2 is a front view thereof;

FIG. 3 is a top view thereof;

FIG. 4 is a bottom view thereof;

FIG. 5 is a left-side view thereof; and,

FIG. 6 is a right-side view thereof.

1 Claim, 3 Drawing Sheets

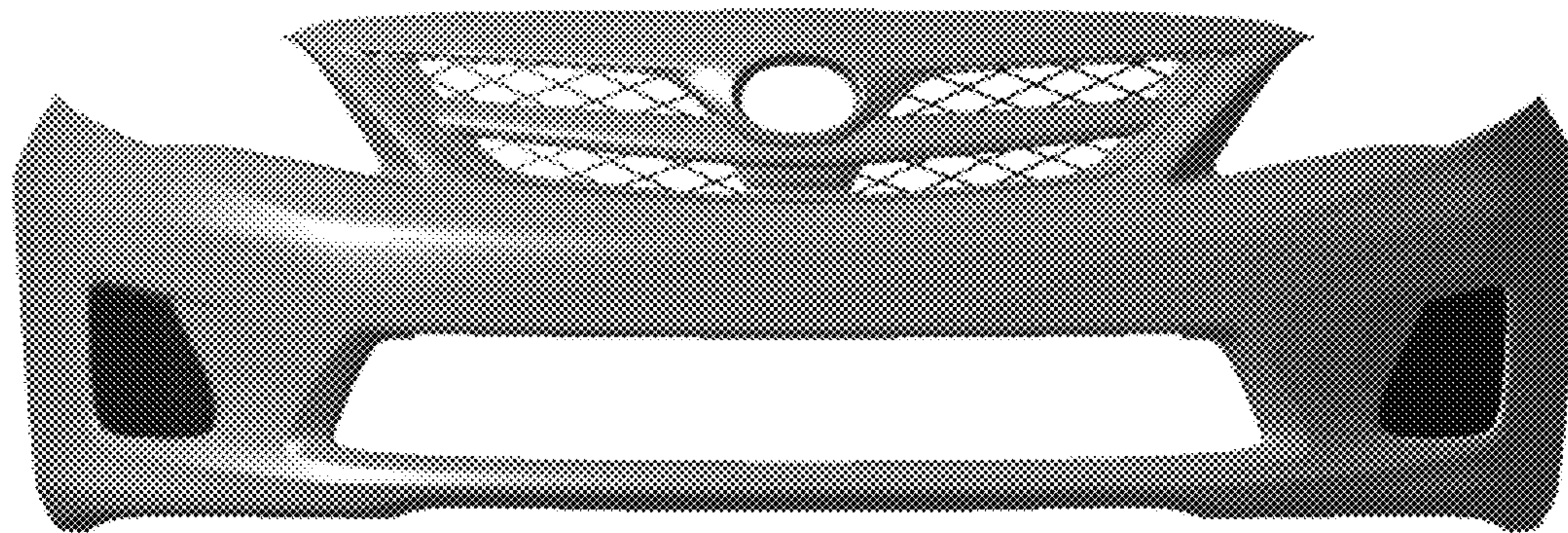


Fig. 1

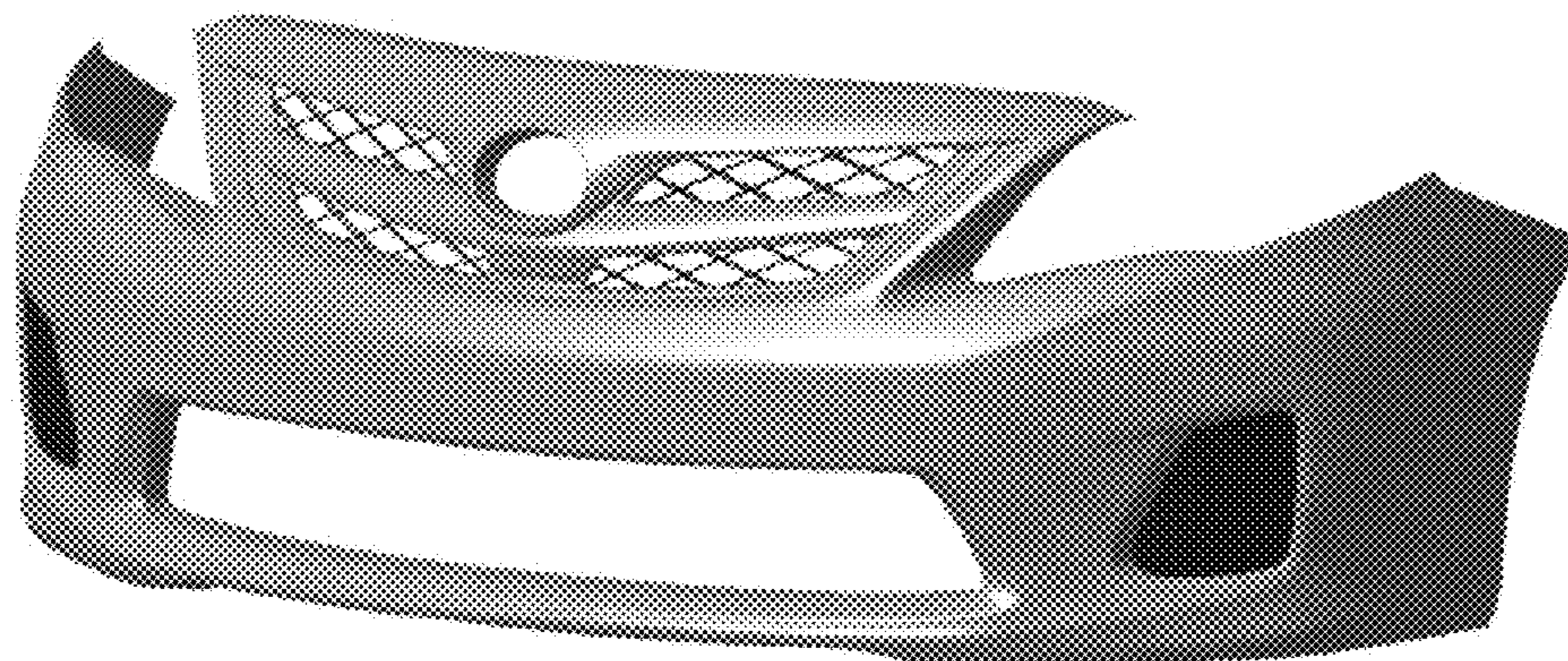


Fig. 2

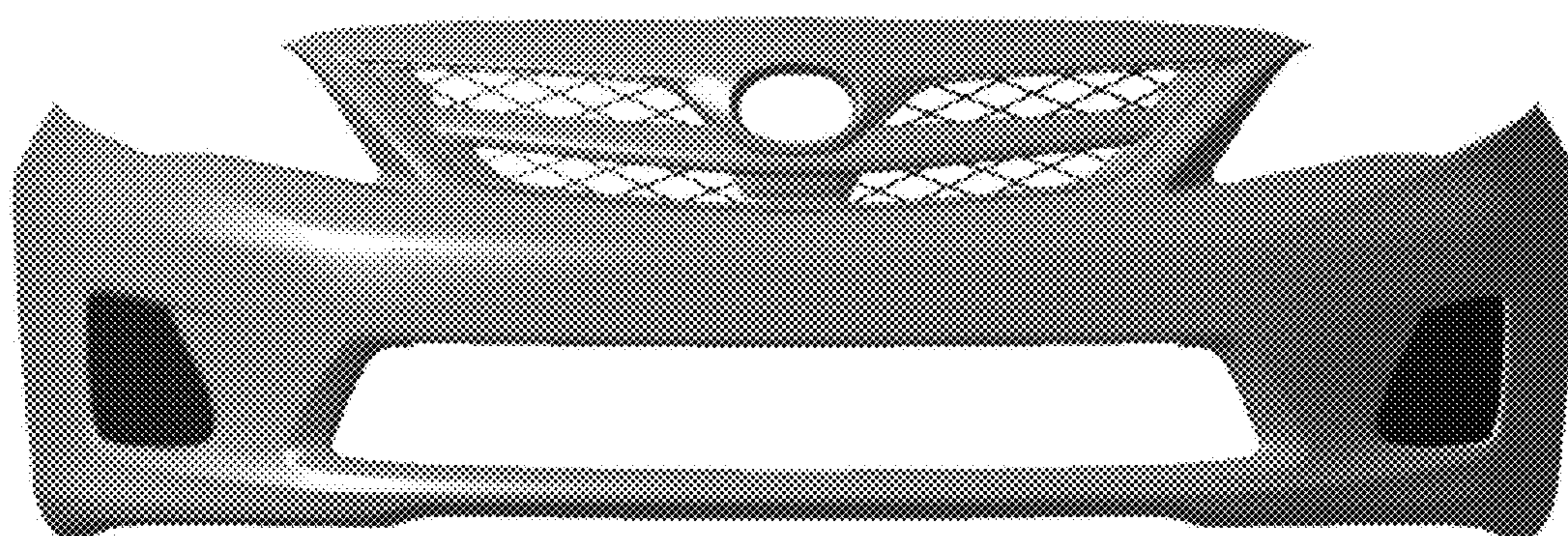


Fig. 3

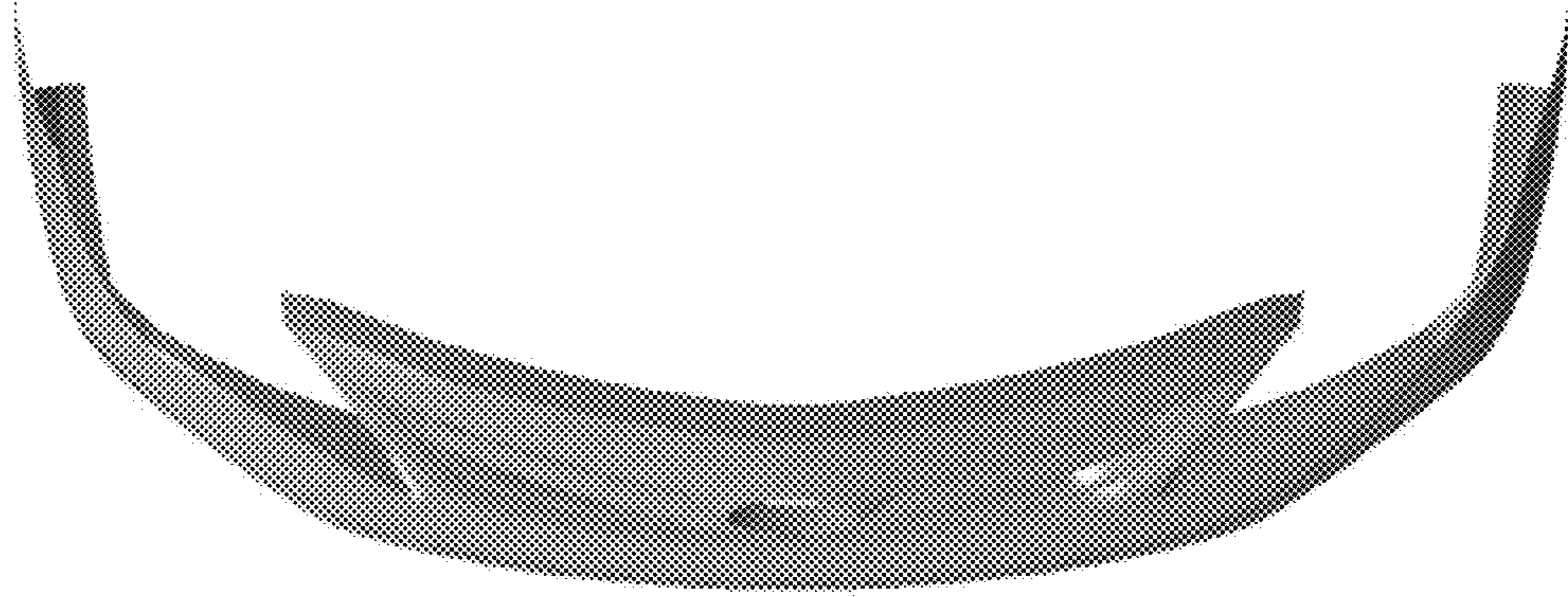


Fig. 4

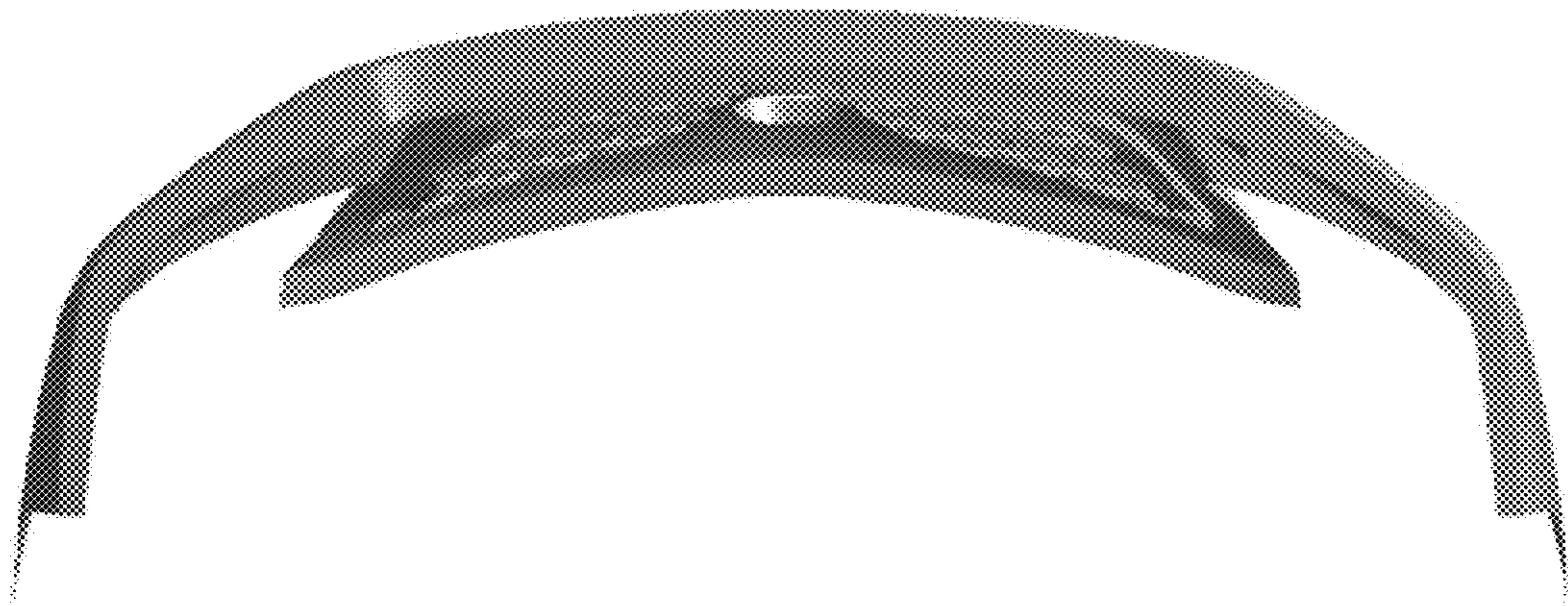


Fig. 5

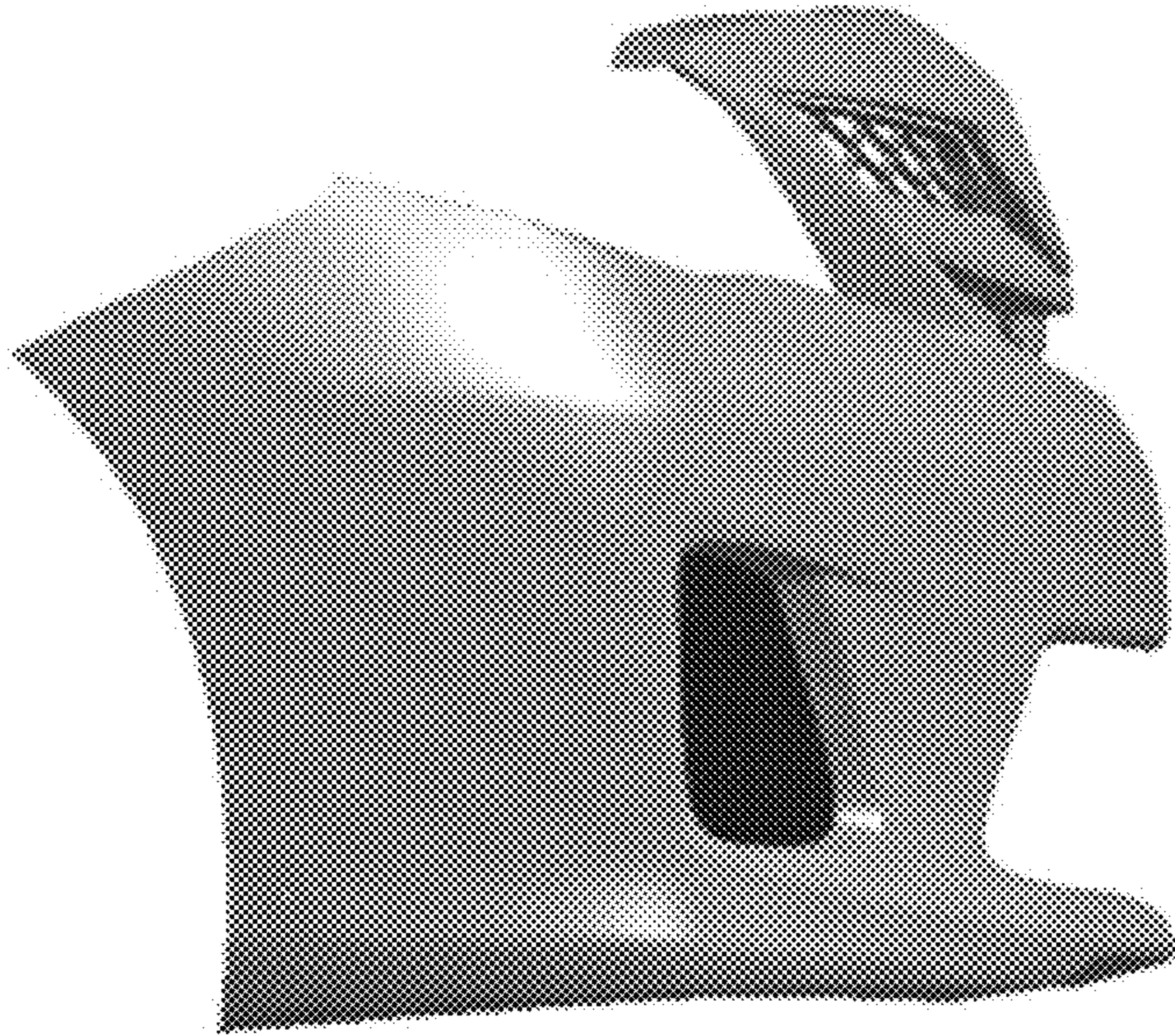


Fig. 6

