



US00D630976S

(12) **United States Design Patent**
Clottu

(10) **Patent No.:** **US D630,976 S**

(45) **Date of Patent:** **** Jan. 18, 2011**

(54) **REAR BUMPER FOR A VEHICLE**

FOREIGN PATENT DOCUMENTS

(75) Inventor: **Fabien Clottu**, Munich (DE)

WO DM/064839 2/2004

* cited by examiner

(73) Assignee: **Bayerische Motoren Werke Aktiengesellschaft**, Munich (DE)

Primary Examiner—Melody N Brown

(74) *Attorney, Agent, or Firm*—Crowell & Moring LLP

(**) Term: **14 Years**

(57) **CLAIM**

(21) Appl. No.: **29/347,788**

The ornamental design for a rear bumper for a vehicle, as shown and described.

(22) Filed: **Jun. 7, 2010**

(30) **Foreign Application Priority Data**

Dec. 8, 2009 (DE) 402009006095

DESCRIPTION

This application contains subject matter related to the following co-pending U.S. design patent applications:

(51) **LOC (9) Cl.** **12-16**

Application Ser. No. 29/347,801, filed herewith and entitled "Vehicle, Toy, and/or Replicas Thereof"; and

(52) **U.S. Cl.** **D12/169**; 12/16

Application Ser. No. 29/347,794, filed herewith and entitled "Rear Bumper for a Vehicle".

(58) **Field of Classification Search** D12/169, D12/196, 171, 163, 216, 90-92, 86; 293/102, 293/113, 115, 117, 120; 296/180.1, 180.2

See application file for complete search history.

FIG. 1 is a left perspective view of a rear bumper for a vehicle according to my design, the right perspective view being mirror symmetrical;

(56) **References Cited**

U.S. PATENT DOCUMENTS

D580,834 S * 11/2008 Saridakis et al. D12/169

FIG. 2 is a front view thereof;

D602,822 S * 10/2009 Irie D12/169

FIG. 3 is a top view thereof;

D608,702 S * 1/2010 Koizumi et al. D12/169

FIG. 4 is a bottom view thereof; and,

D610,056 S * 2/2010 Ishibashi D12/169

FIG. 5 is a left side view thereof, the right side view being mirror symmetrical.

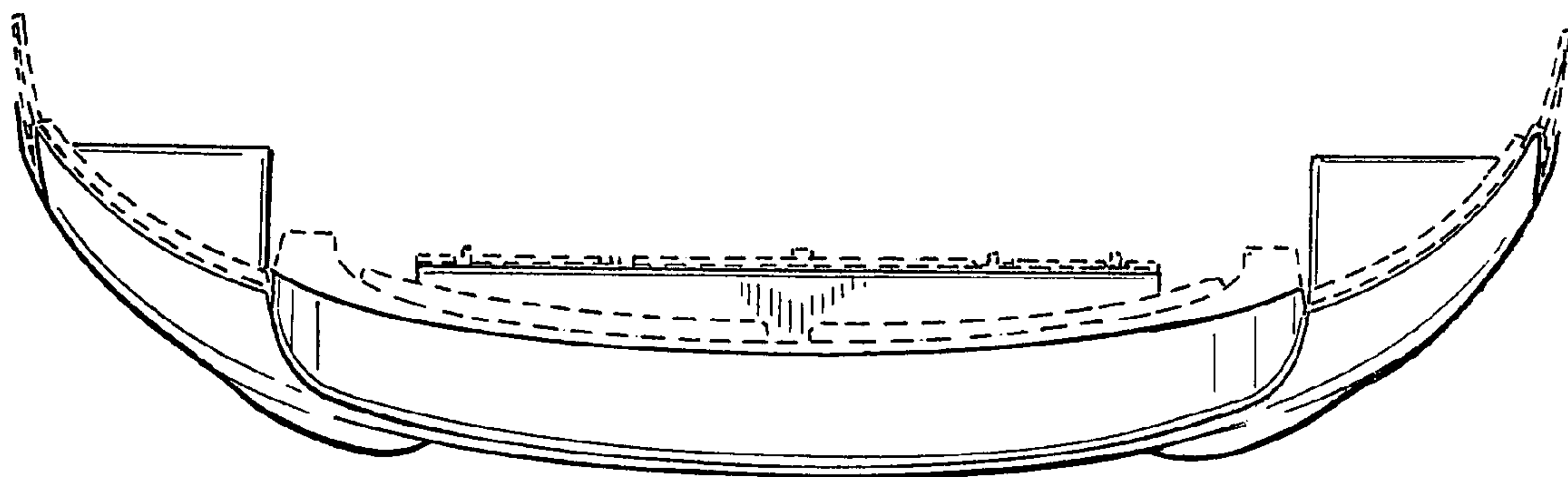
D610,498 S * 2/2010 Truebsbach D12/169

The broken lines are for illustrative purposes only and form no part of the claimed design.

D619,512 S * 7/2010 Walter et al. D12/169

1 Claim, 2 Drawing Sheets

D621,753 S * 8/2010 Huet D12/169



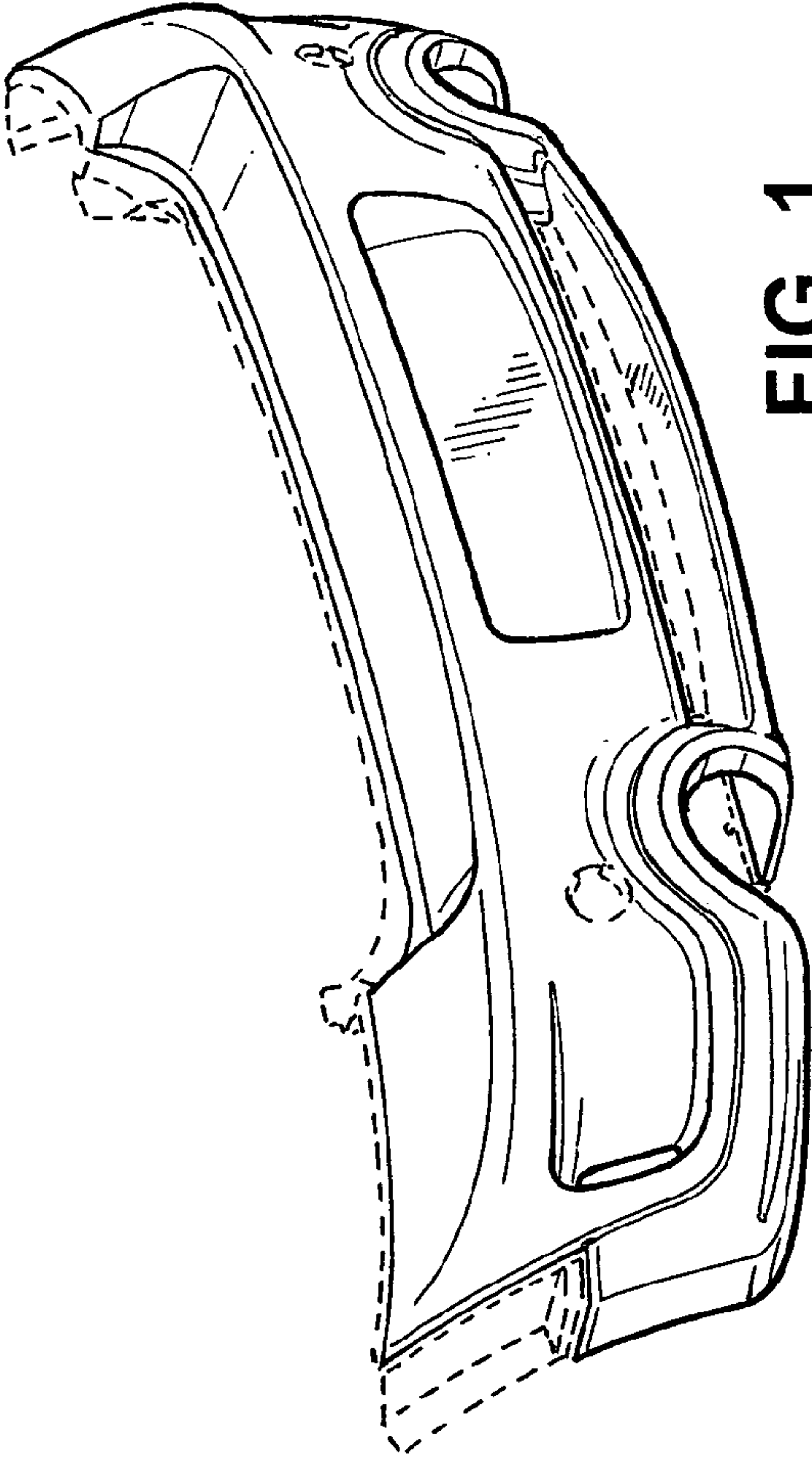


FIG. 1

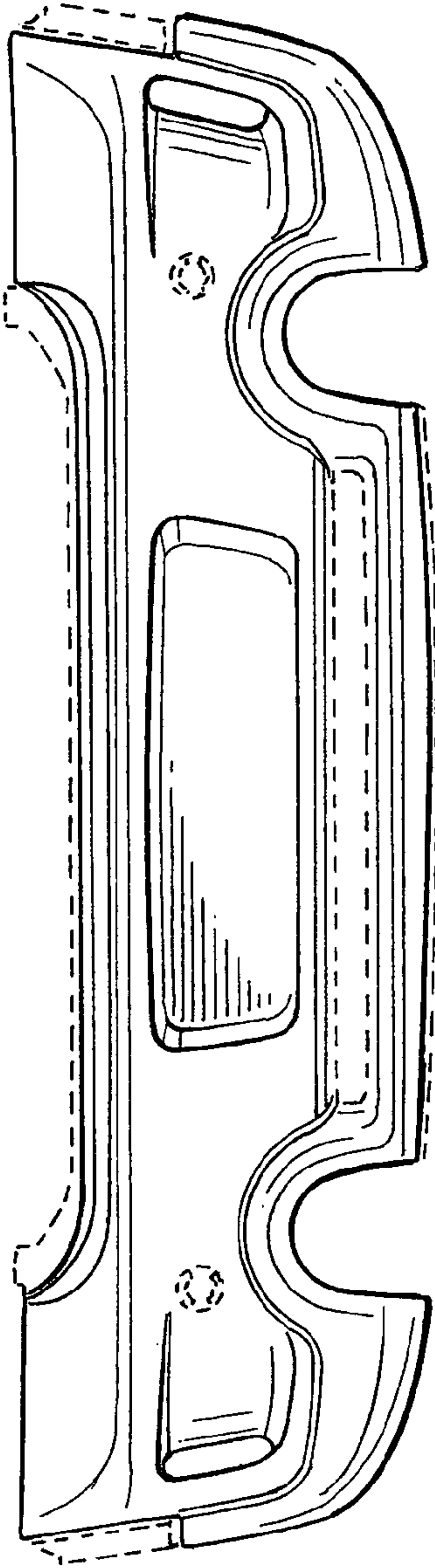


FIG. 2

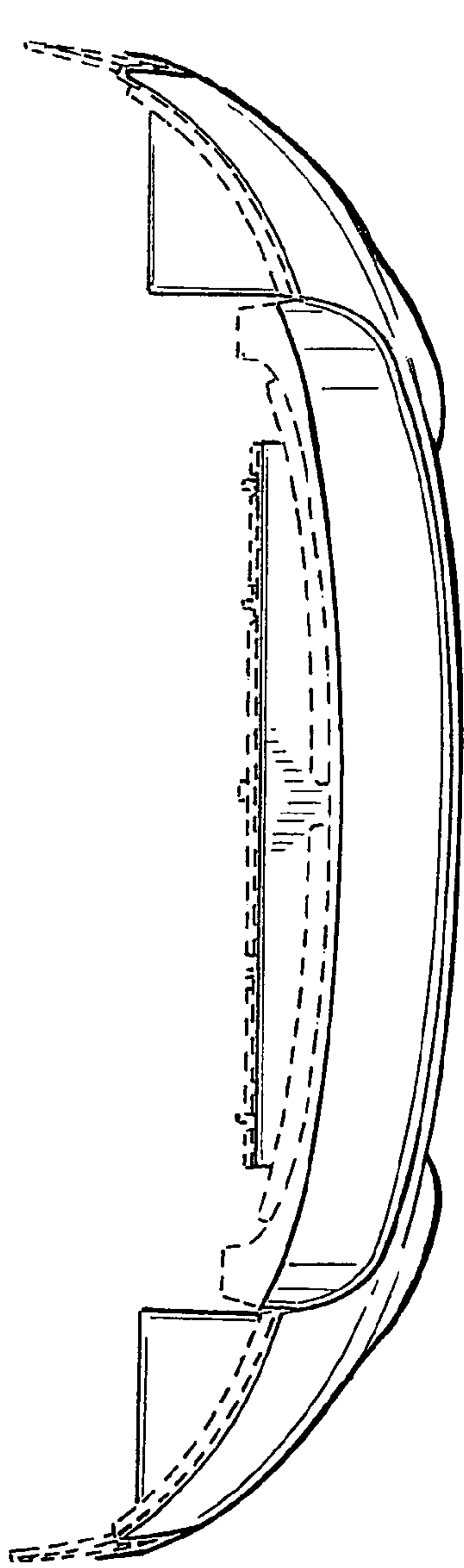


FIG. 3

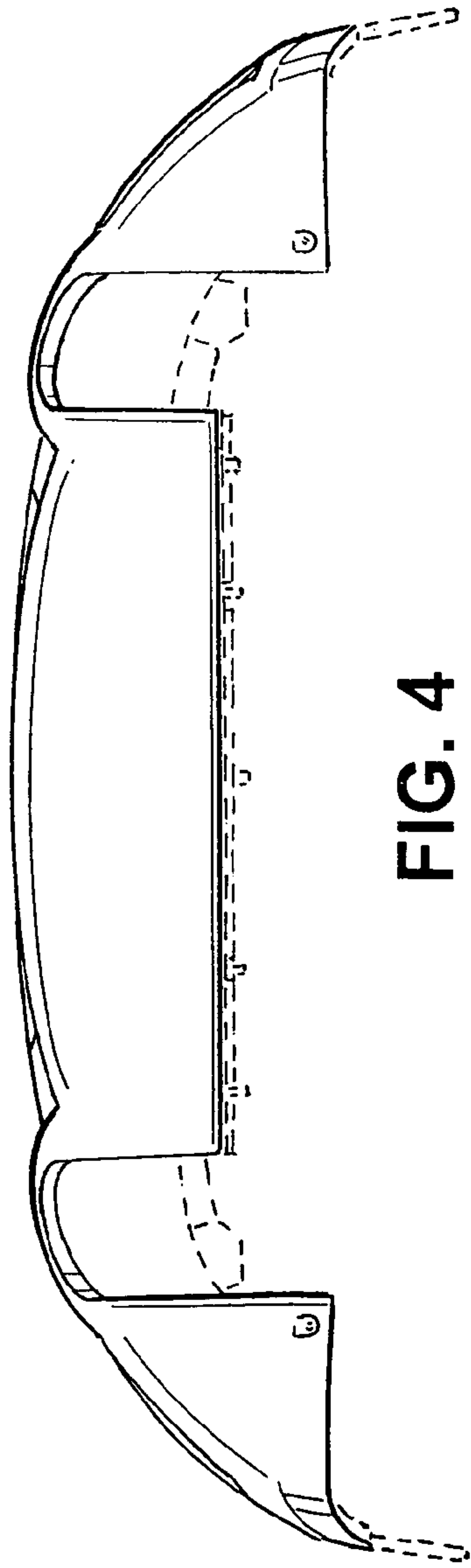


FIG. 4

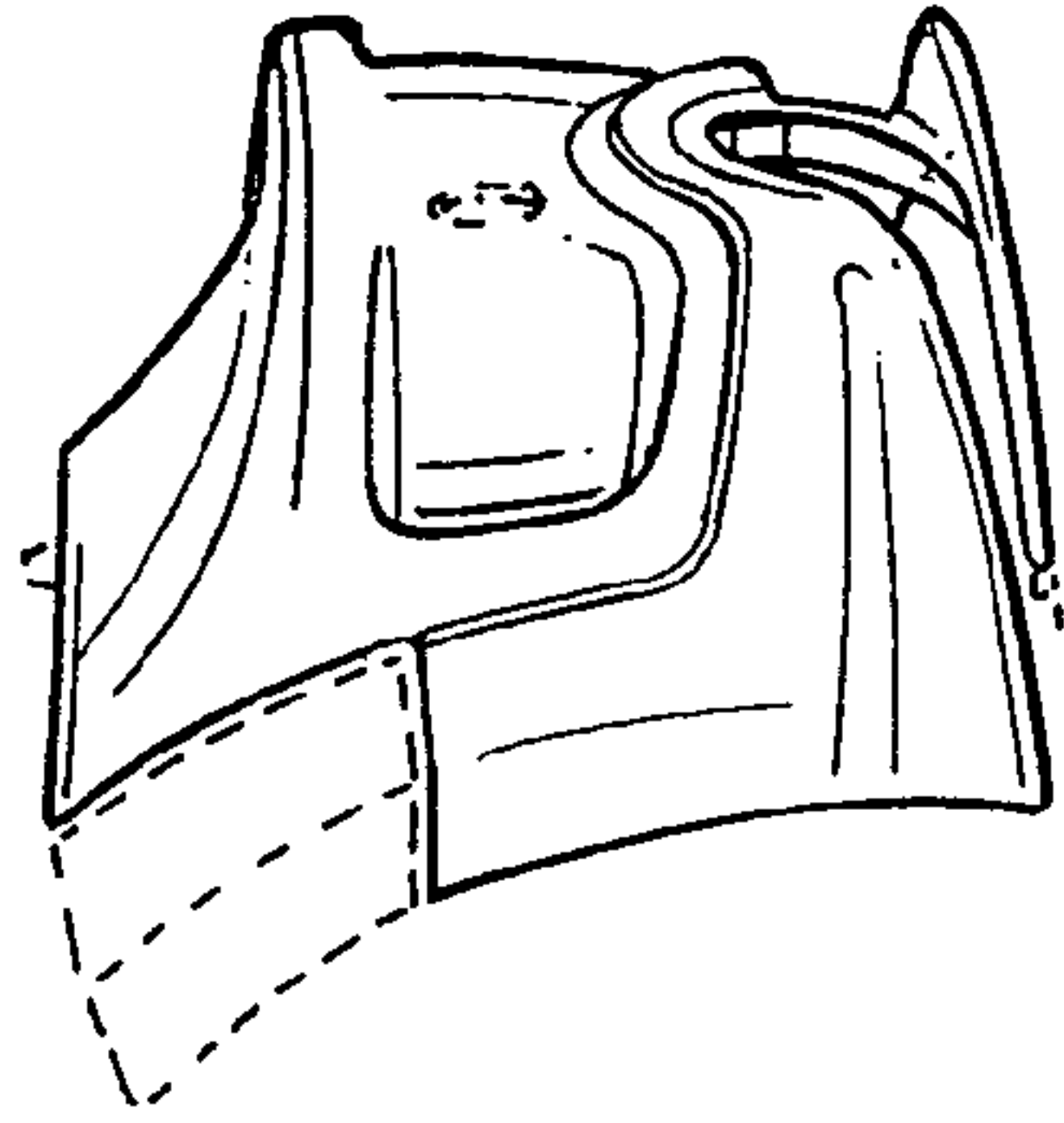


FIG. 5