

US00D630975S

(12) **United States Design Patent**  
**Sperling et al.**

(10) **Patent No.:** **US D630,975 S**  
(45) **Date of Patent:** **\*\* Jan. 18, 2011**

(54) **FRONT GRILL FOR AN AUTOMOBILE**

D616,342 S \* 5/2010 Kim ..... D12/163

(75) Inventors: **Matthew Sperling**, Newport Beach, CA (US); **Peter Kim**, Newport Beach, CA (US); **Chung Lee**, Newport Beach, CA (US)

(73) Assignee: **Toyota Jidosha Kabushiki Kaisha**, Toyota-shi (JP)

(\*\*) Term: **14 Years**

(21) Appl. No.: **29/362,119**

(22) Filed: **May 20, 2010**

(51) **LOC (9) Cl.** ..... **12-16**

(52) **U.S. Cl.** ..... **D12/163**

(58) **Field of Classification Search** ..... D12/163,  
D12/196, 171, 169, 216, 90-92, 86; 180/68.1,  
180/68.6; 296/193.11

See application file for complete search history.

(56) **References Cited**

**U.S. PATENT DOCUMENTS**

D461,751 S	8/2002	Suzuki	
D525,177 S	7/2006	Kitazumi et al.	
D525,571 S	7/2006	Kouzai et al.	
D565,480 S	4/2008	McMahan et al.	
D592,563 S *	5/2009	Asakura et al.	..... D12/163
D602,409 S *	10/2009	Lamm et al.	..... D12/163
D614,543 S *	4/2010	Kitazumi et al.	..... D12/163
D616,341 S	5/2010	Fukai et al.	

**OTHER PUBLICATIONS**

Website: URL: [http://www.netcarshow.com/toyota/2008-land\\_cruiser/800x600/wallpaper\\_0b.htm](http://www.netcarshow.com/toyota/2008-land_cruiser/800x600/wallpaper_0b.htm), Toyota Land Cruiser (date 2008).

Website: URL: [http://www.netcarshow.com/toyota/2009-4runner/800x600/wallpaper\\_19.htm](http://www.netcarshow.com/toyota/2009-4runner/800x600/wallpaper_19.htm), Toyota 4 Runner (date 2009).

Website: URL: [http://www.netcarshow.com/toyota/2008-highlander/800x600/wallpaper\\_1c.htm](http://www.netcarshow.com/toyota/2008-highlander/800x600/wallpaper_1c.htm), Toyota Highlander (date 2008).

\* cited by examiner

*Primary Examiner*—Melody N Brown

(74) *Attorney, Agent, or Firm*—Finnegan, Henderson, Farabow, Garrett & Dunner, LLP

(57) **CLAIM**

The ornamental design for a front grill for an automobile, as shown and described.

**DESCRIPTION**

FIG. 1 is a front perspective view of a front grill for an automobile of our new design;

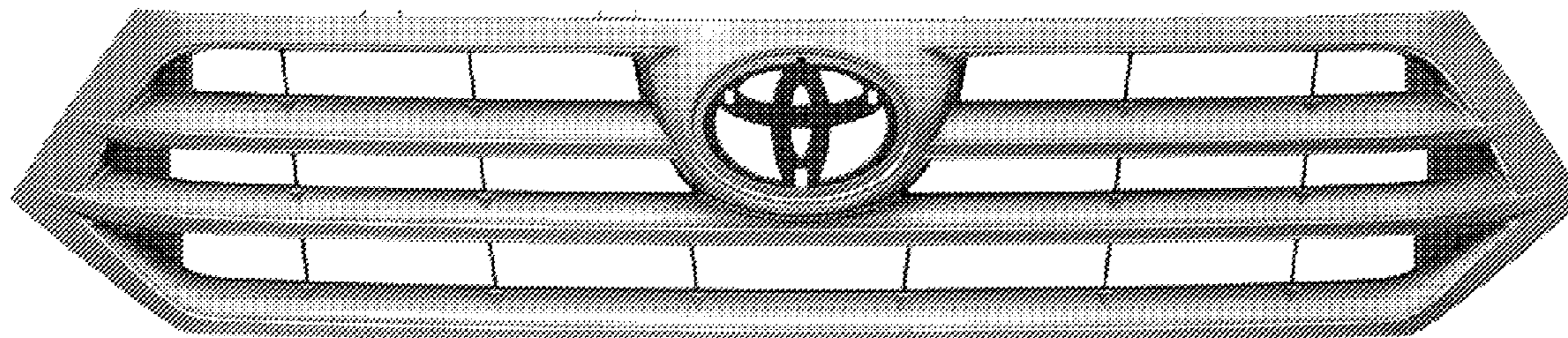
FIG. 2 is a front view thereof;

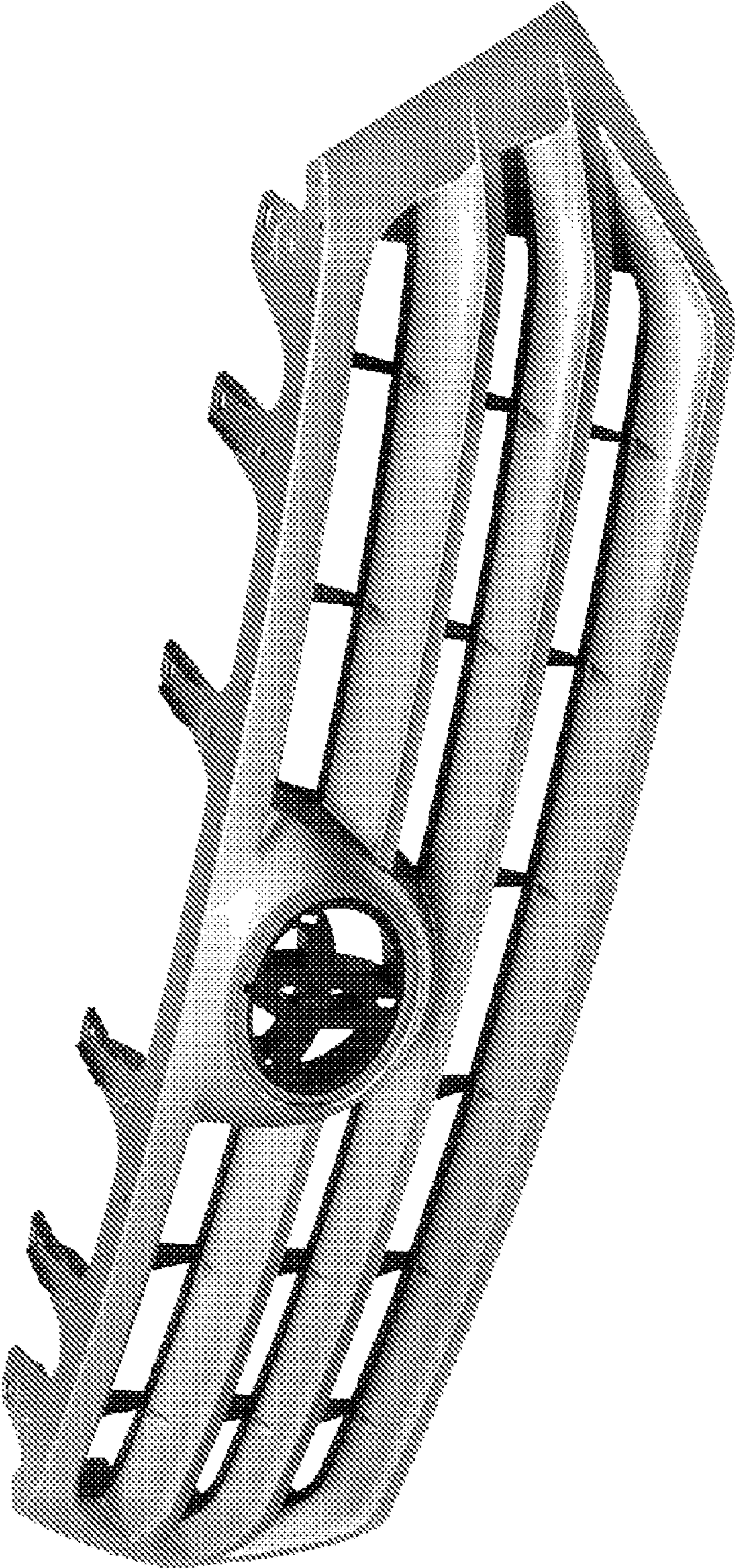
FIG. 3 is a top plan view thereof;

FIG. 4 is a right side view thereof; and,

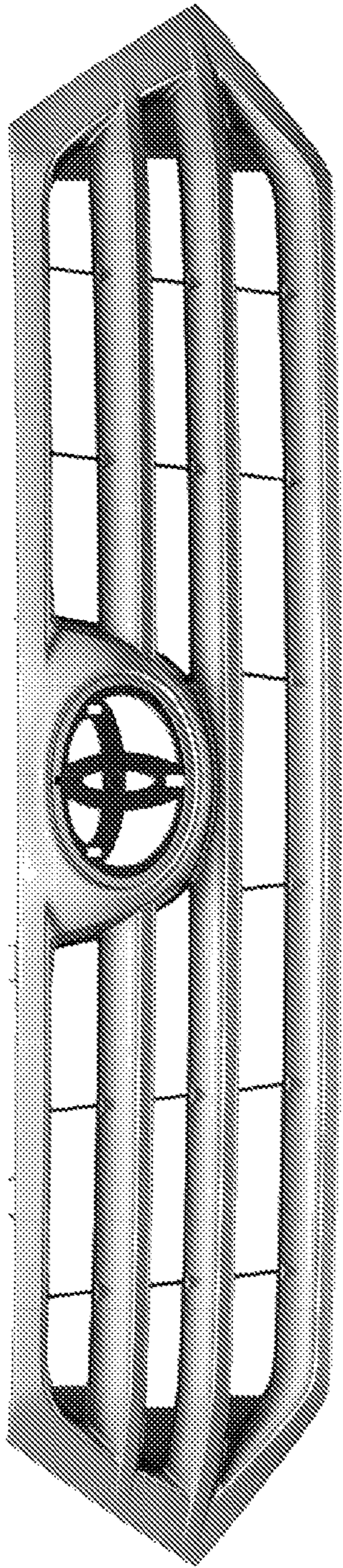
FIG. 5 is a left side view thereof. Appendix A is a rear view thereof and forms no part of the claimed design and Appendix B is a bottom view that forms no part of the claimed design.

**1 Claim, 3 Drawing Sheets**

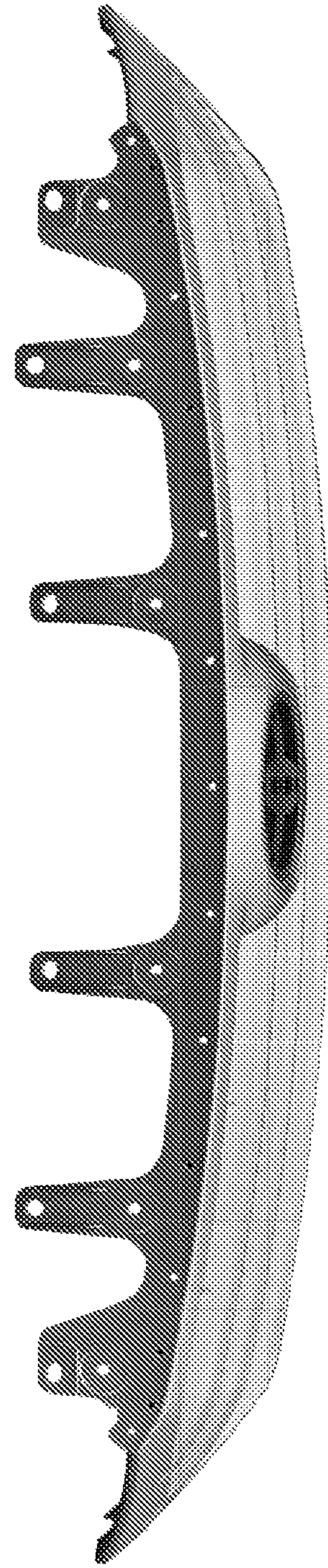




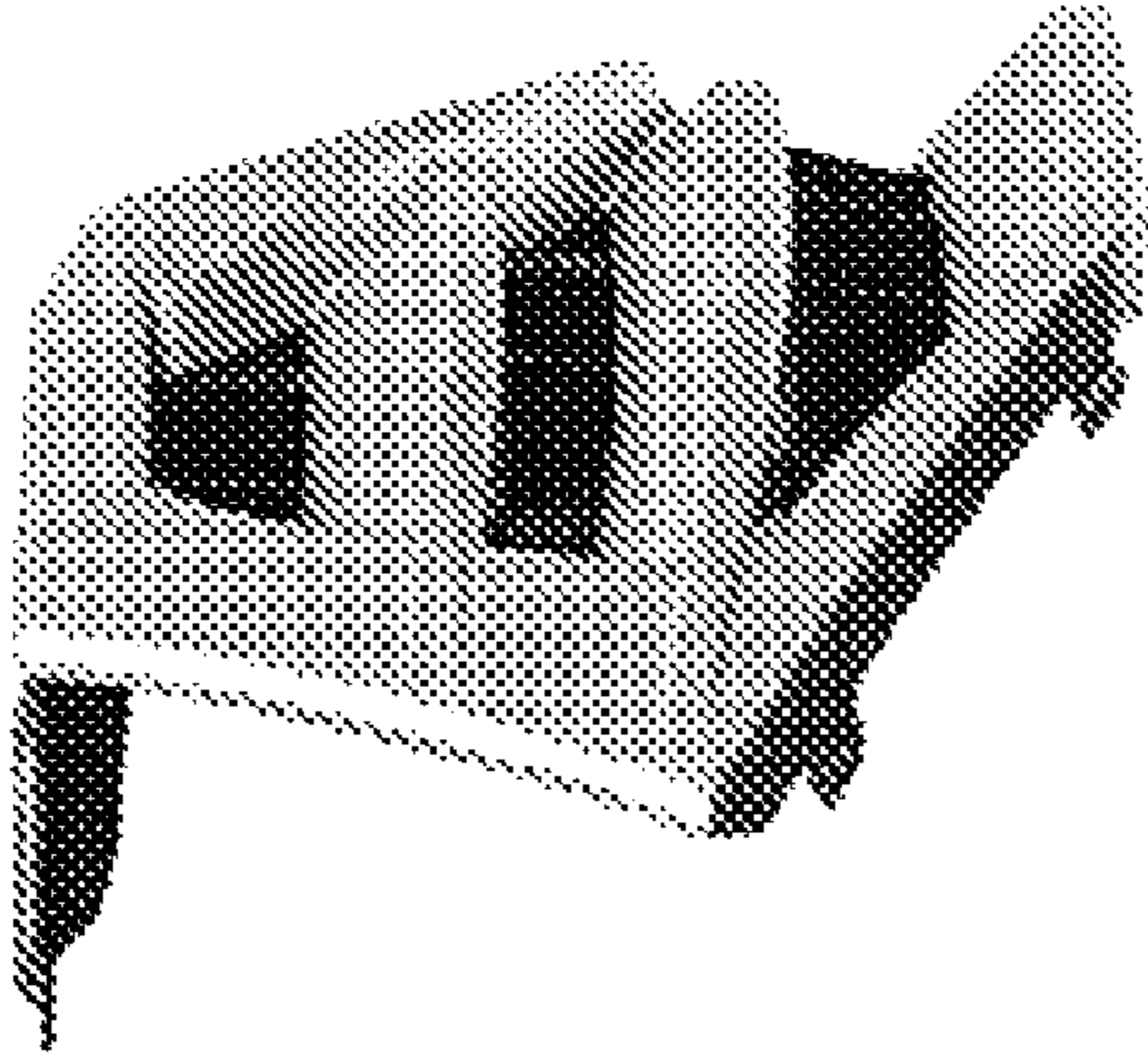
**FIG. 1**



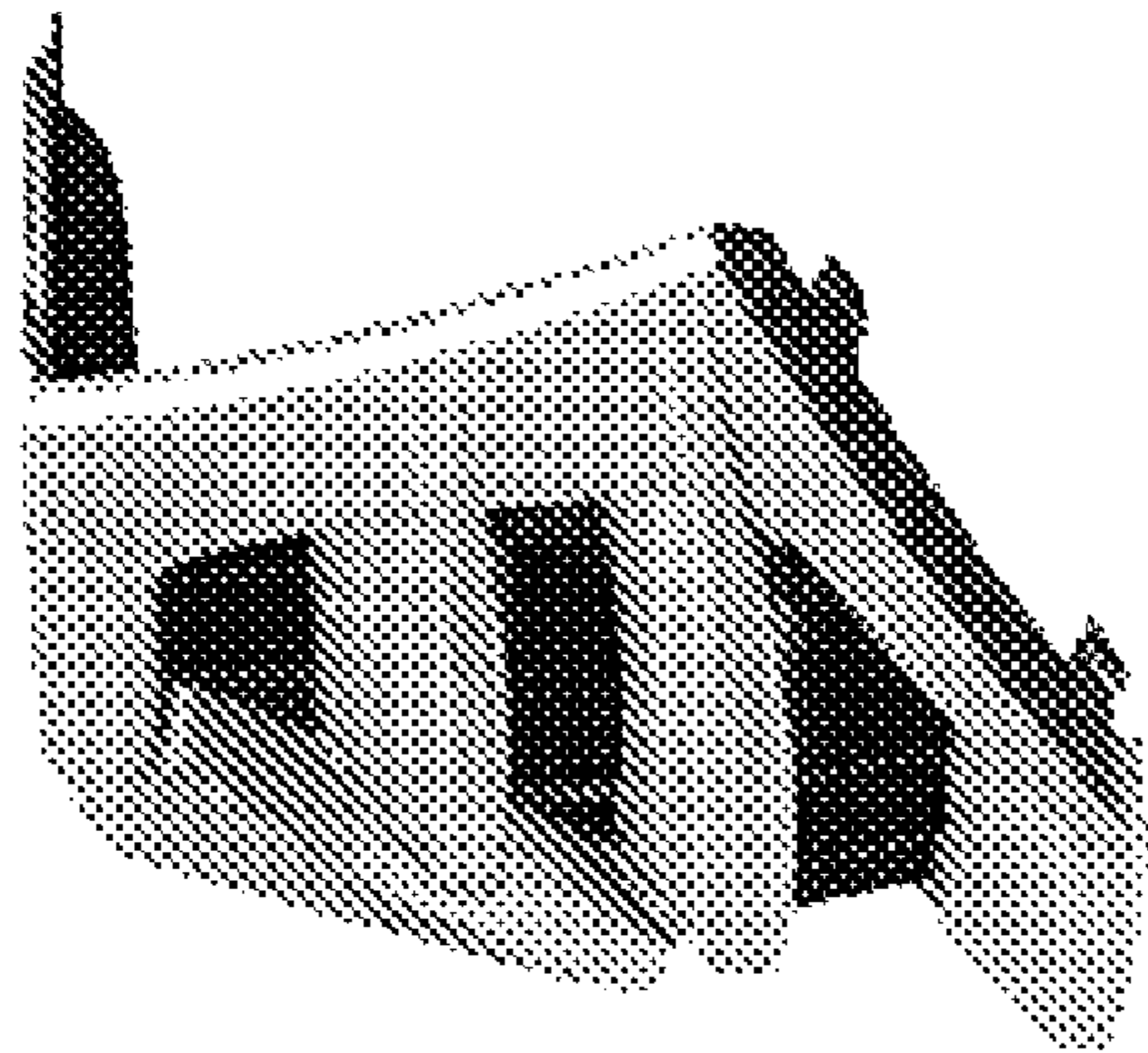
**FIG. 2**



**FIG. 3**



**FIG. 4**



**FIG. 5**