



US00D630970S

(12) **United States Design Patent**
McNaughton

(10) **Patent No.:** **US D630,970 S**

(45) **Date of Patent:** **** Jan. 18, 2011**

(54) **SEAT BUCKLE BUTTON COVER**

(76) Inventor: **Patrick J. McNaughton**, 17025 5th Ave.,
Plymouth, MN (US) 55447

(**) Term: **14 Years**

(21) Appl. No.: **29/359,017**

(22) Filed: **Apr. 5, 2010**

(51) **LOC (9) Cl.** **02-07**

(52) **U.S. Cl.** **D11/200**

(58) **Field of Classification Search** D11/1-2,
D11/200-201, 206-210, 214-218; 24/163 R,
24/169-171, 173, 177-179, 191, 194-195,
24/197, 200, 633, 573.1

See application file for complete search history.

(56) **References Cited**

U.S. PATENT DOCUMENTS

3,484,908	A *	12/1969	Lamb	24/579.11
4,502,194	A *	3/1985	Morris et al.	24/633
4,731,912	A *	3/1988	Boriskie et al.	24/633
4,987,662	A *	1/1991	Haffey et al.	24/633
5,307,544	A *	5/1994	Quarberg et al.	24/633
6,769,157	B1 *	8/2004	Meal	24/633

6,988,297	B2 *	1/2006	Willard et al.	24/633
D531,085	S *	10/2006	Ector-Posey	D11/200
7,243,403	B2 *	7/2007	Hoffman	24/633
D560,138	S *	1/2008	Mandarino	D11/200
D618,136	S *	6/2010	Ward	D11/200
2005/0204523	A1 *	9/2005	Smith	24/633

* cited by examiner

Primary Examiner—Ralf Seifert

(57) **CLAIM**

The ornamental design of seat buckle button cover, is substantially as shown and described.

DESCRIPTION

FIG. 1: is an upper left perspective of seat buckle button cover showing my new design;

FIG. 2: is a right side elevation view thereof, the left side elevation view being the same;

FIG. 3 is a front elevation view thereof;

FIG. 4: is a back elevation view thereof;

FIG. 5 is a top view thereof; and,

FIG. 6 is a bottom view thereof.

1 Claim, 3 Drawing Sheets

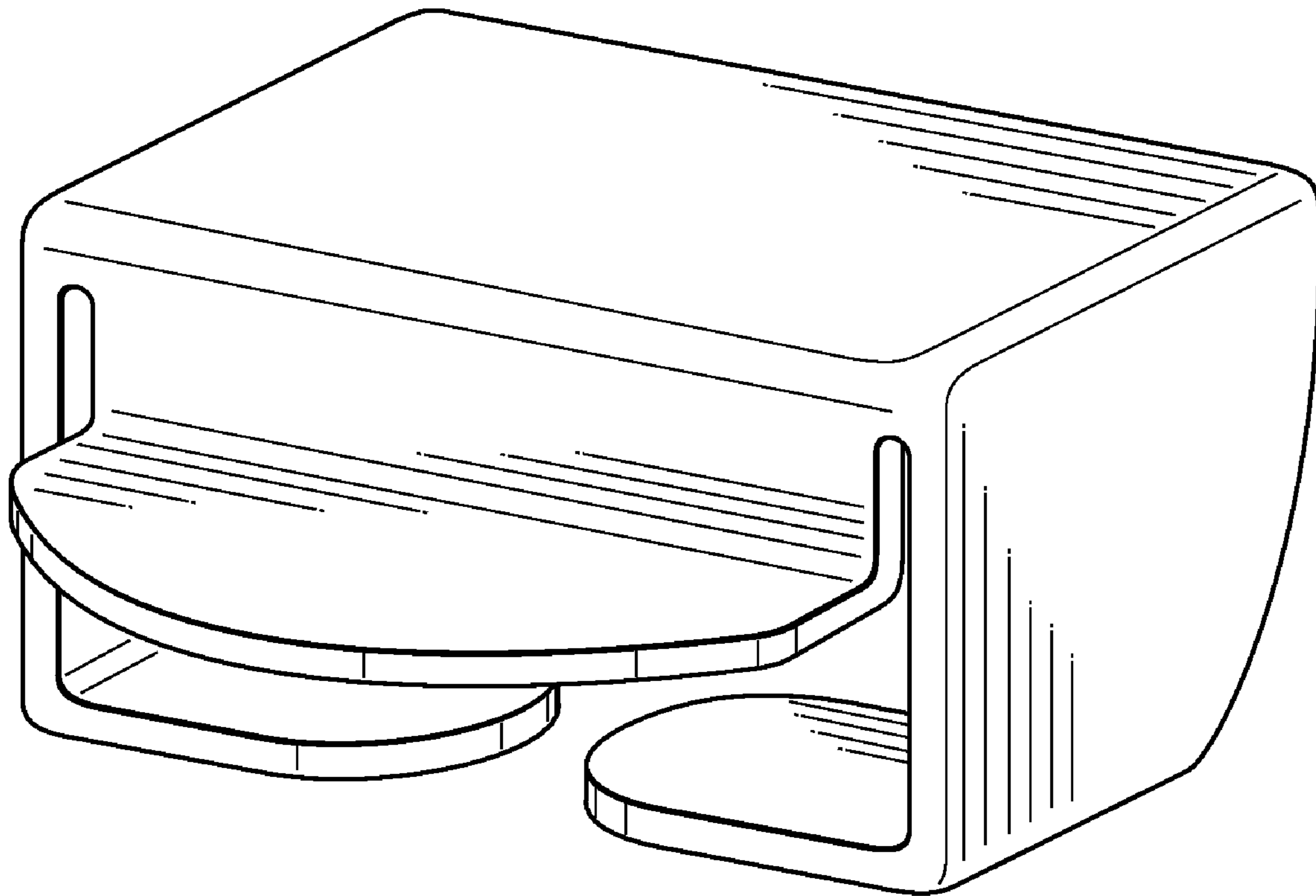


Fig. 1

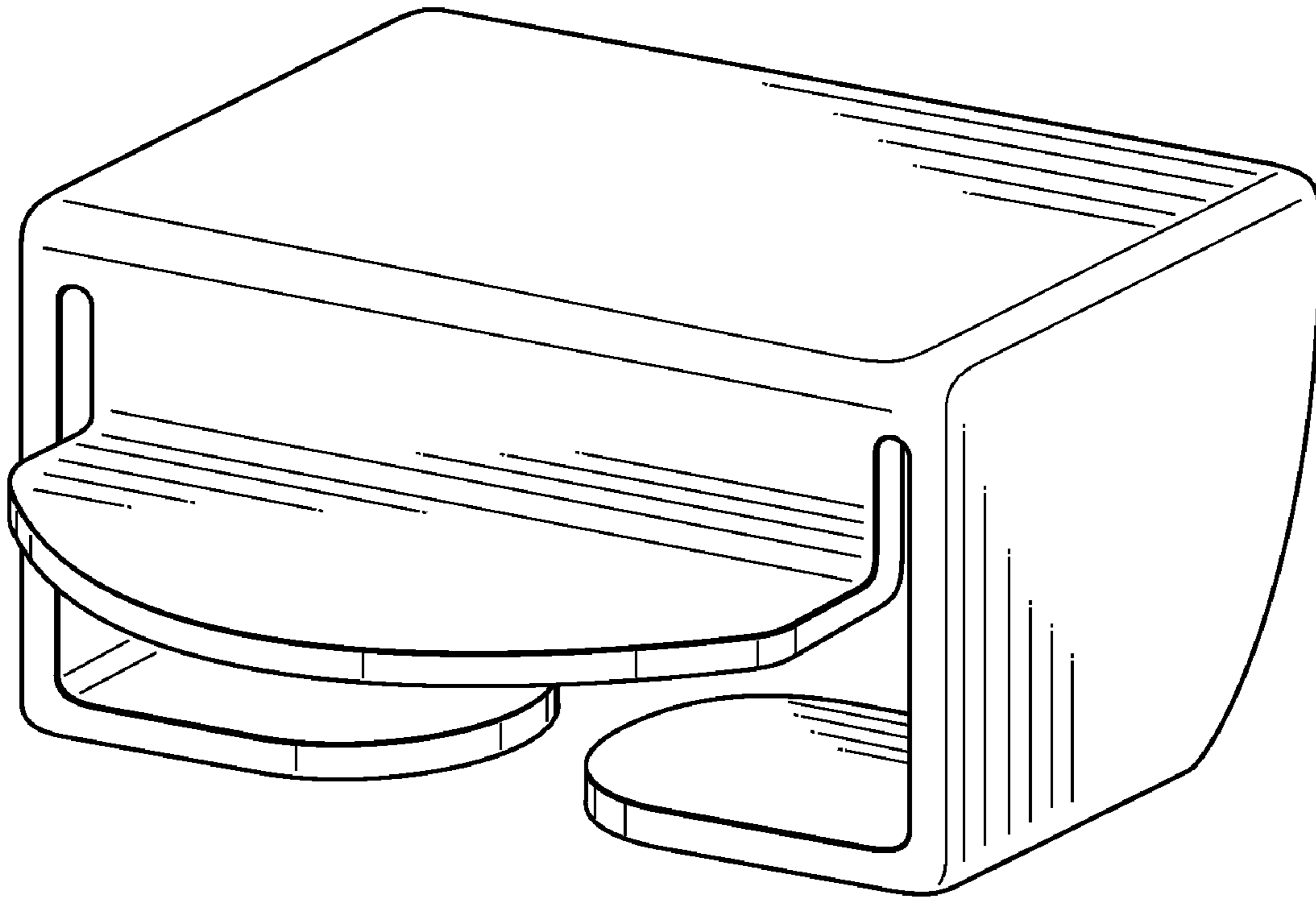


Fig. 2

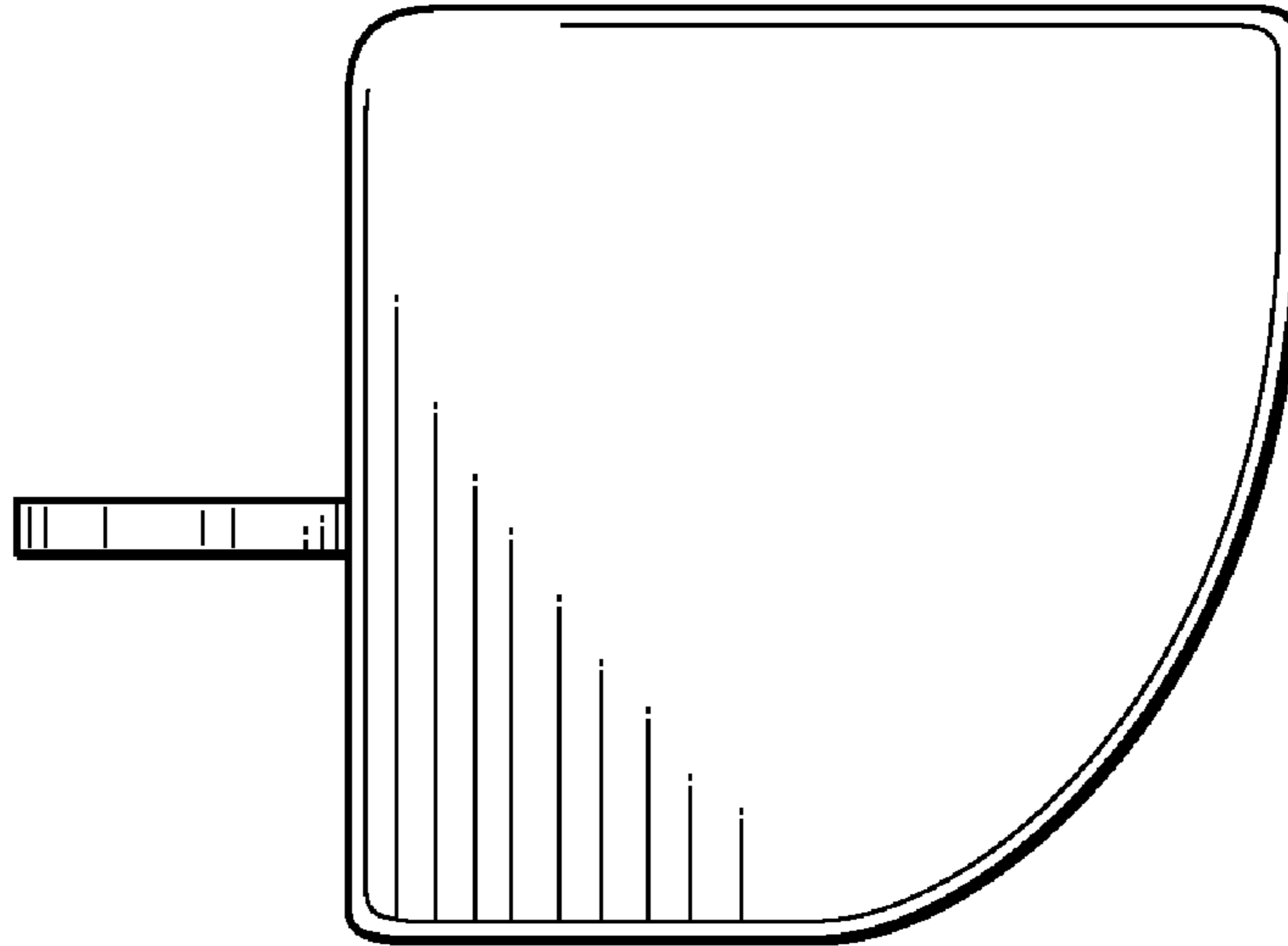


Fig. 3

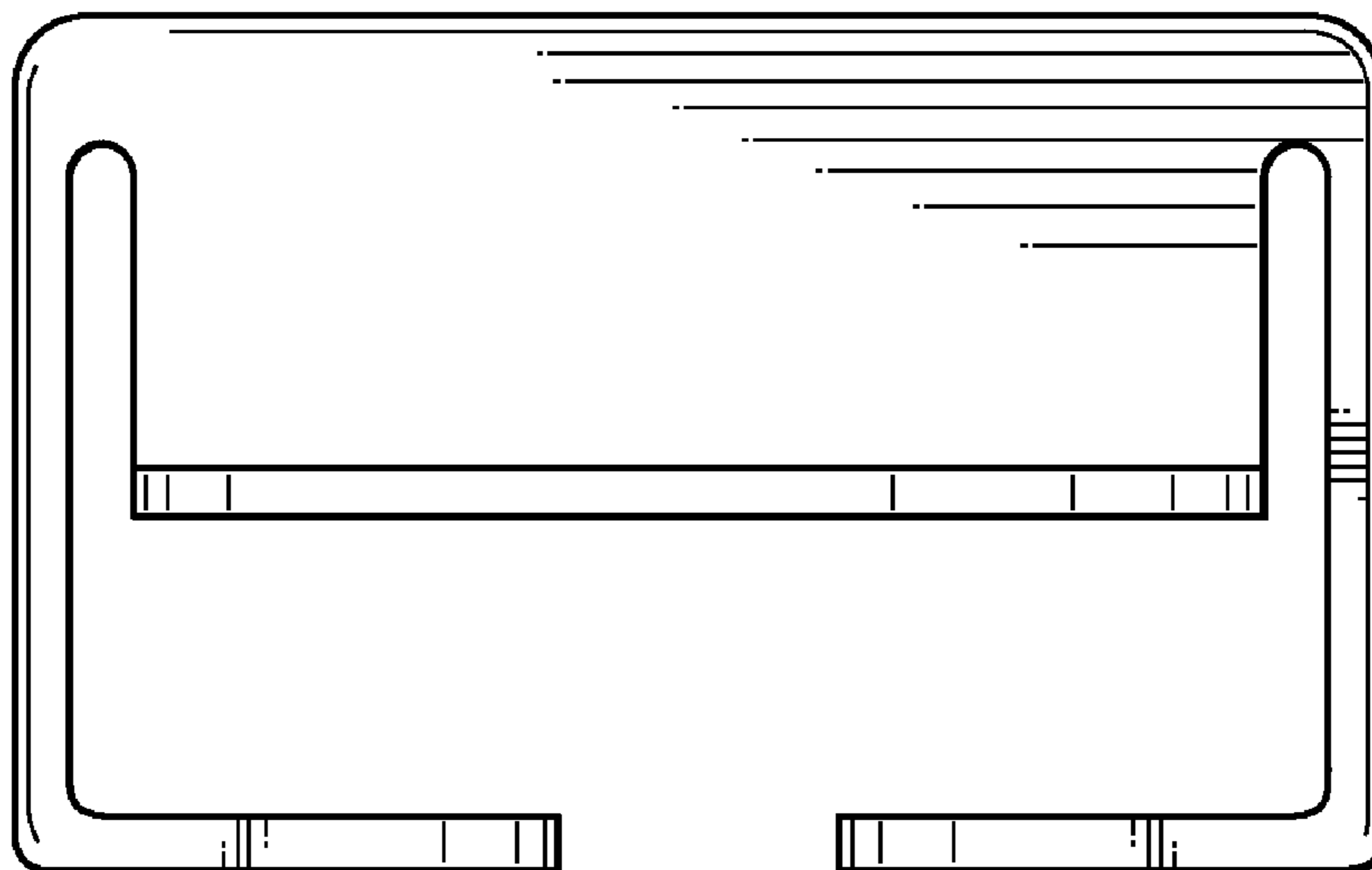


Fig. 4

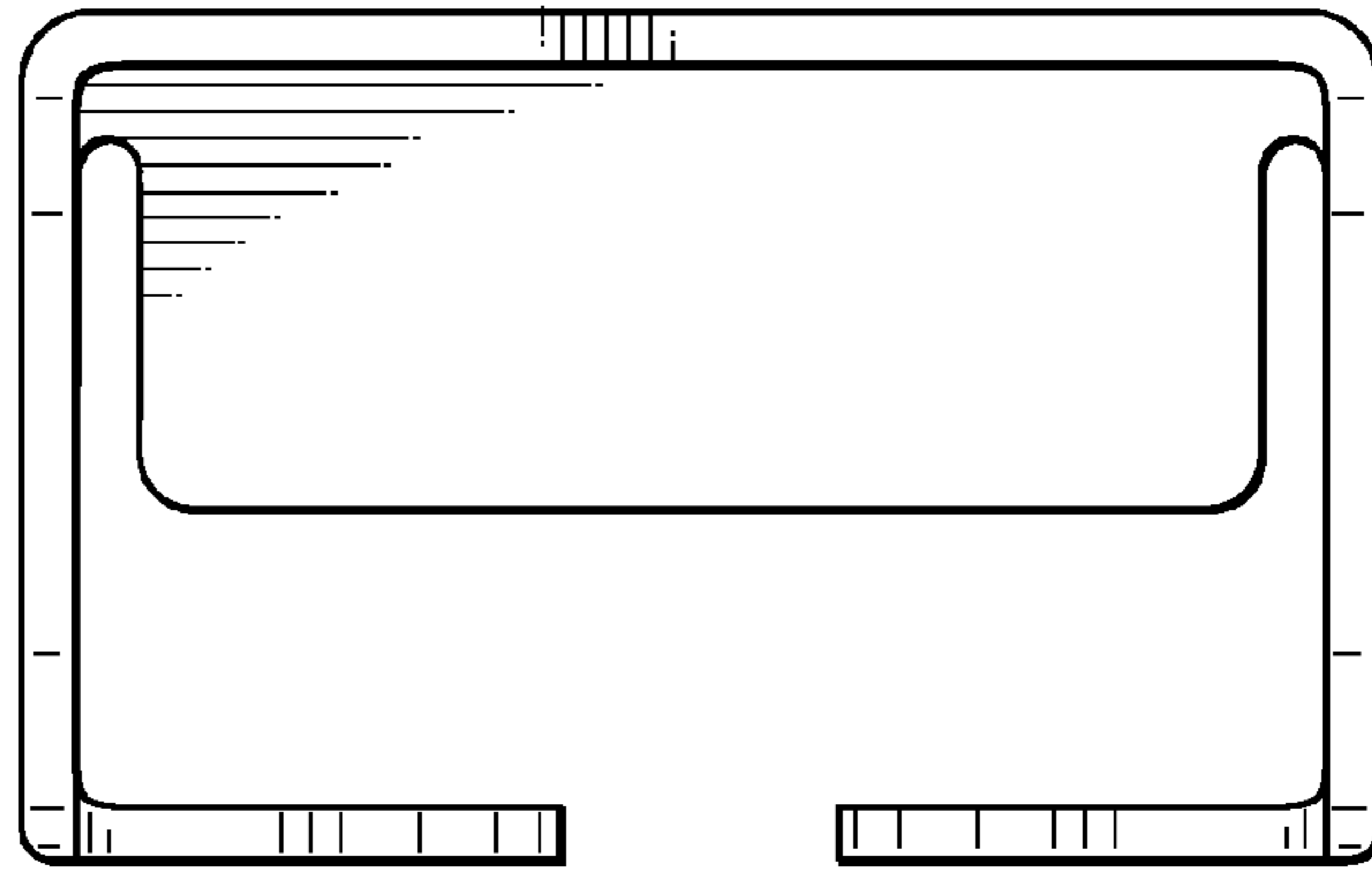


Fig. 5

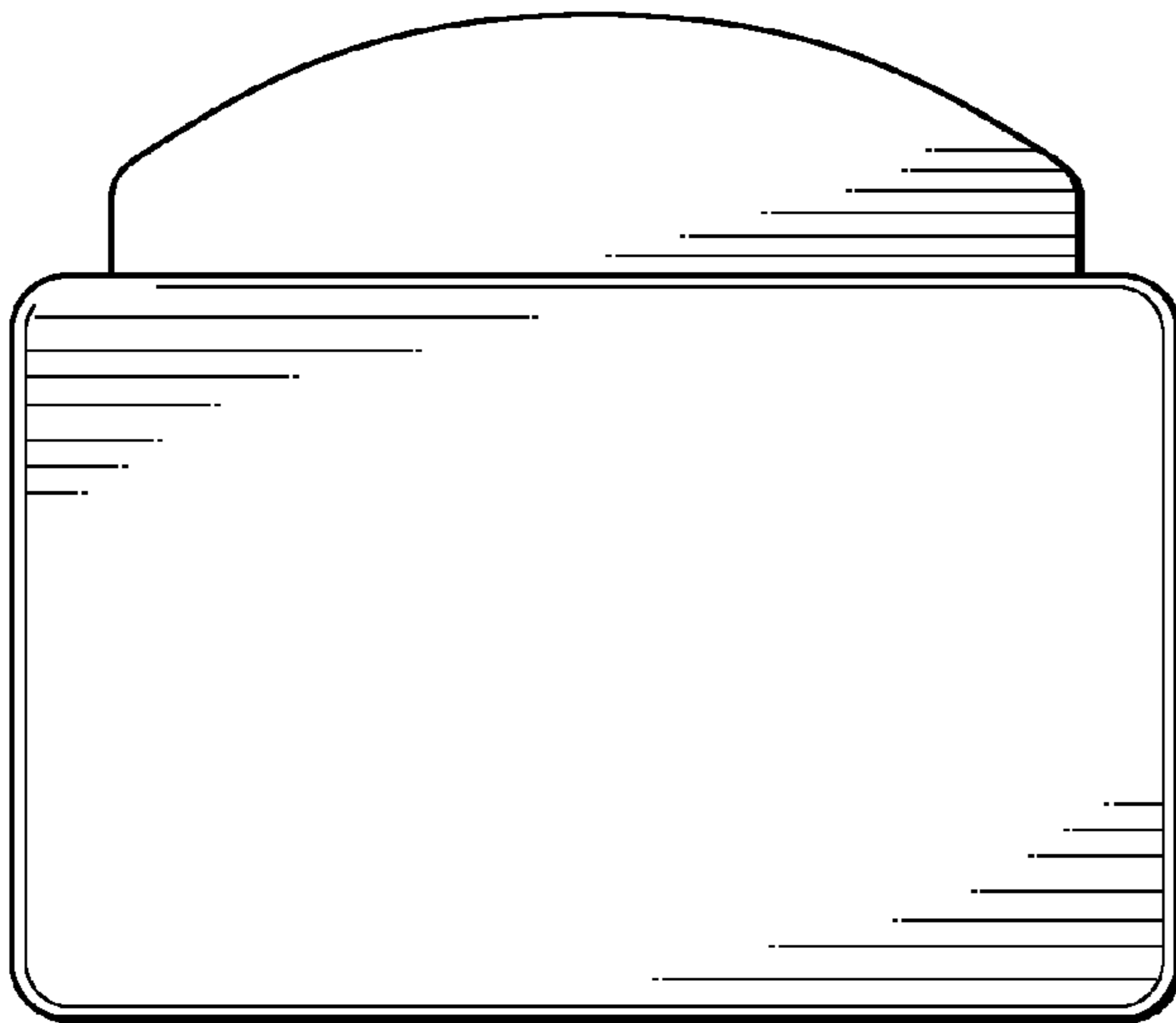


Fig. 6

