



US00D630969S

(12) **United States Design Patent**
Mattis

(10) **Patent No.:** **US D630,969 S**
(45) **Date of Patent:** **** Jan. 18, 2011**

(54) **ARTIFICIAL TREE LEAF**

(76) Inventor: **James F. Mattis**, 18160 Blue Heron
Pointe Dr., Northville, MI (US) 48168

(**) Term: **14 Years**

(21) Appl. No.: **29/340,705**

(22) Filed: **Jul. 23, 2009**

(51) **LOC (9) Cl.** **11-04**

(52) **U.S. Cl.** **D11/117**

(58) **Field of Classification Search** D11/117,
D11/118, 121, 125, 127, 131, 157, 158; 428/7,
428/8, 9, 11, 12, 18, 19, 20

See application file for complete search history.

(56) **References Cited**

U.S. PATENT DOCUMENTS

D11,064 S *	3/1879	Blaich et al.	D99/8
2,080,523 A *	5/1937	Williams et al.	428/18
D159,135 S *	6/1950	Blaich et al.	D21/585
D309,639 S *	7/1990	Knudsen	D21/496
D340,003 S *	10/1993	Wright et al.	D11/118
D343,318 S *	1/1994	Curitti	D6/503
D349,454 S *	8/1994	Shumway et al.	D9/659
D390,157 S *	2/1998	Burnett	D11/118
D531,539 S *	11/2006	Barthelmess	D11/118
D539,188 S *	3/2007	Barthelmess	D11/118
D540,064 S *	4/2007	Barthelmess	D6/397
D541,038 S *	4/2007	Barthelmess	D3/6
D541,550 S *	5/2007	Barthelmess	D6/397
D549,613 S *	8/2007	Barthelmess	D11/118
D563,039 S *	2/2008	Welch	D27/151
D569,649 S *	5/2008	Barthelmess	D6/397

OTHER PUBLICATIONS

“Japanese Consortium Disguises Solar Cells As Leaves”, 2 pages,
Donald Melanson, Jun. 4, 2008, <http://www.engadget.com/2008/06/>

04/japanese-consortium-disguises-solor-cells-as-leaves/, dated Apr. 1, 2009.

“Power Plants: Artificial Trees That Harvest Sun And Wind To Generate Electricity”, 1 page, By Adam Hadhazy, <http://www.scientificamerican.com/article.cfm?id=artificial-trees-harvest-sun-and-wind-energy>, dated Jun. 12, 2009.

“Nanoleaves”, 2 pages, <http://www.solarbotanic.com/nanoleaves.php>, dated Jun. 12, 2009.

Advertisement for Custom Made Palm Tree Co., Artificial Exterior Palms, 7 pages, <http://www.custompalmtrees.com/elite.htm>, dated Mar. 28, 2009.

“A new solar panel that’s truly green,” Oct. 29, 2009, www.gregorystrang.com/RealtorWebPage?custompage_id=2, 5 pgs.

* cited by examiner

Primary Examiner—Stella M Reid

Assistant Examiner—Elizabeth J Oswecki

(74) *Attorney, Agent, or Firm*—Harness, Dickey & Pierce, PLC

(57) **CLAIM**

The ornamental design for an artificial tree leaf, as shown and described.

DESCRIPTION

FIG. 1 is a perspective view of an artificial tree leaf showing my new design;

FIG. 2 is a top plan view thereof;

FIG. 3 is a front elevation view thereof;

FIG. 4 is a rear elevation view thereof;

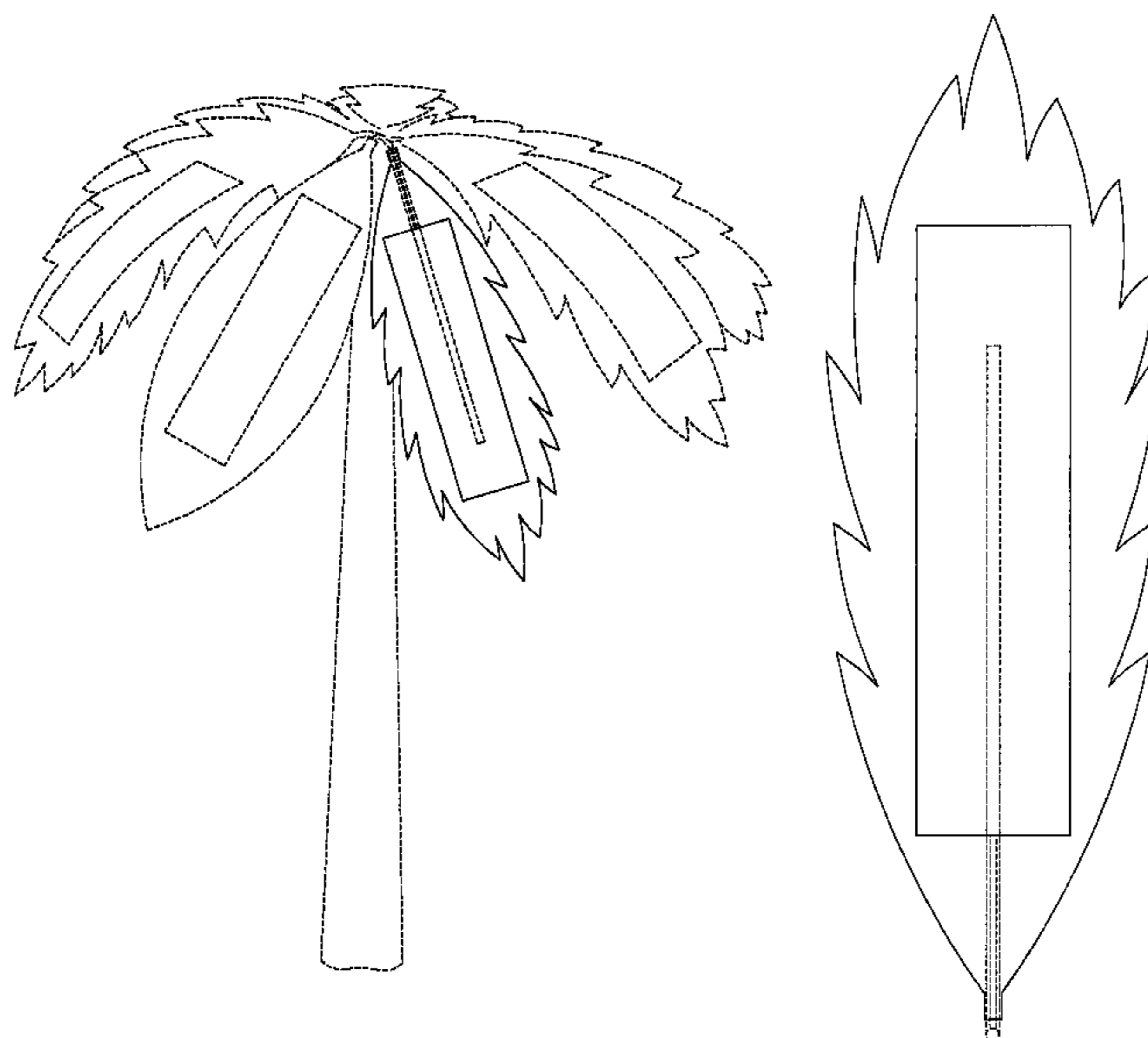
FIG. 5 is a bottom plan view thereof;

FIG. 6 is a left end elevation view thereof; and,

FIG. 7 is a right end elevation view thereof.

Features shown in dashed lines in the Figures do not form a part of the claimed invention.

1 Claim, 4 Drawing Sheets



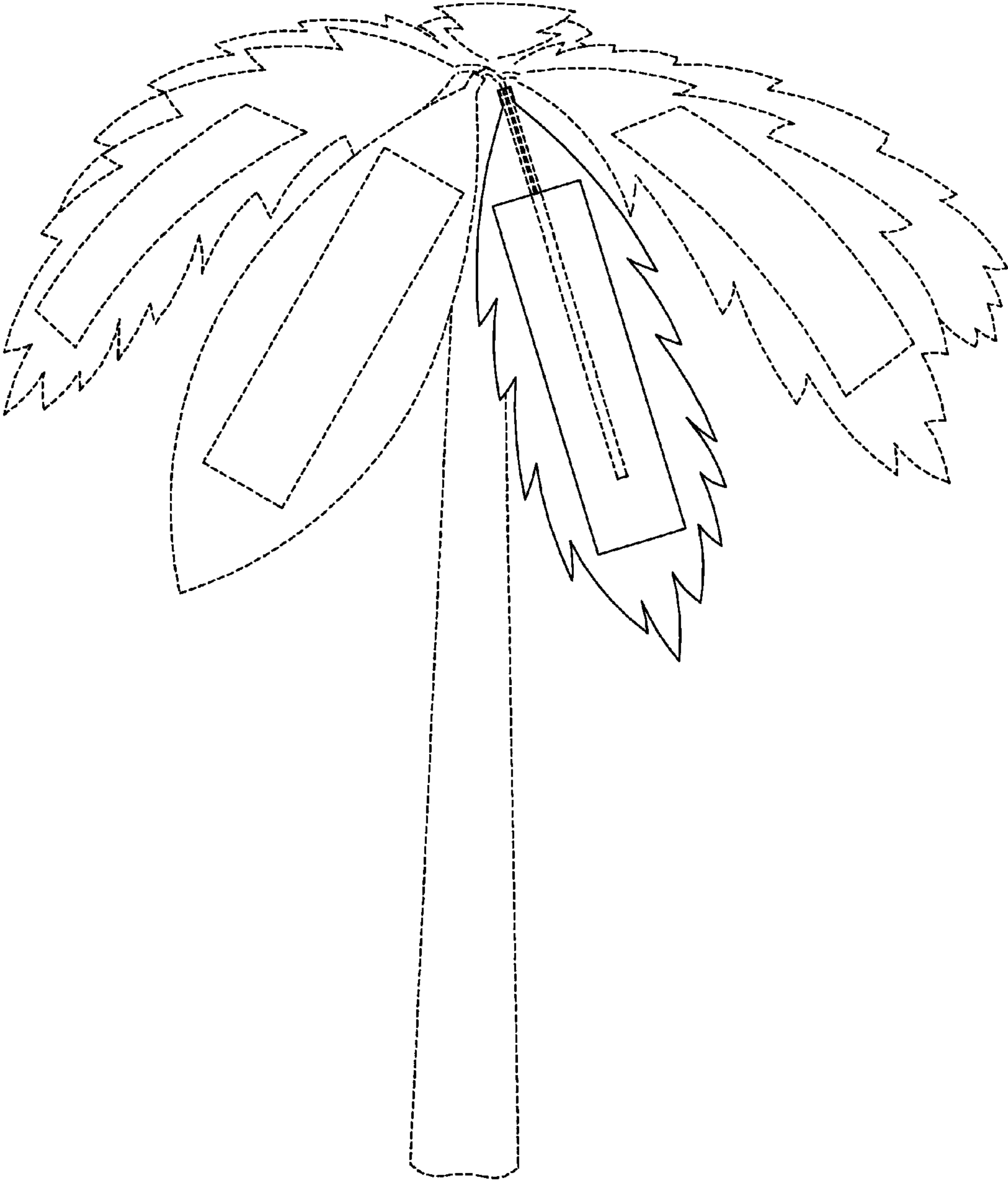


FIG 1

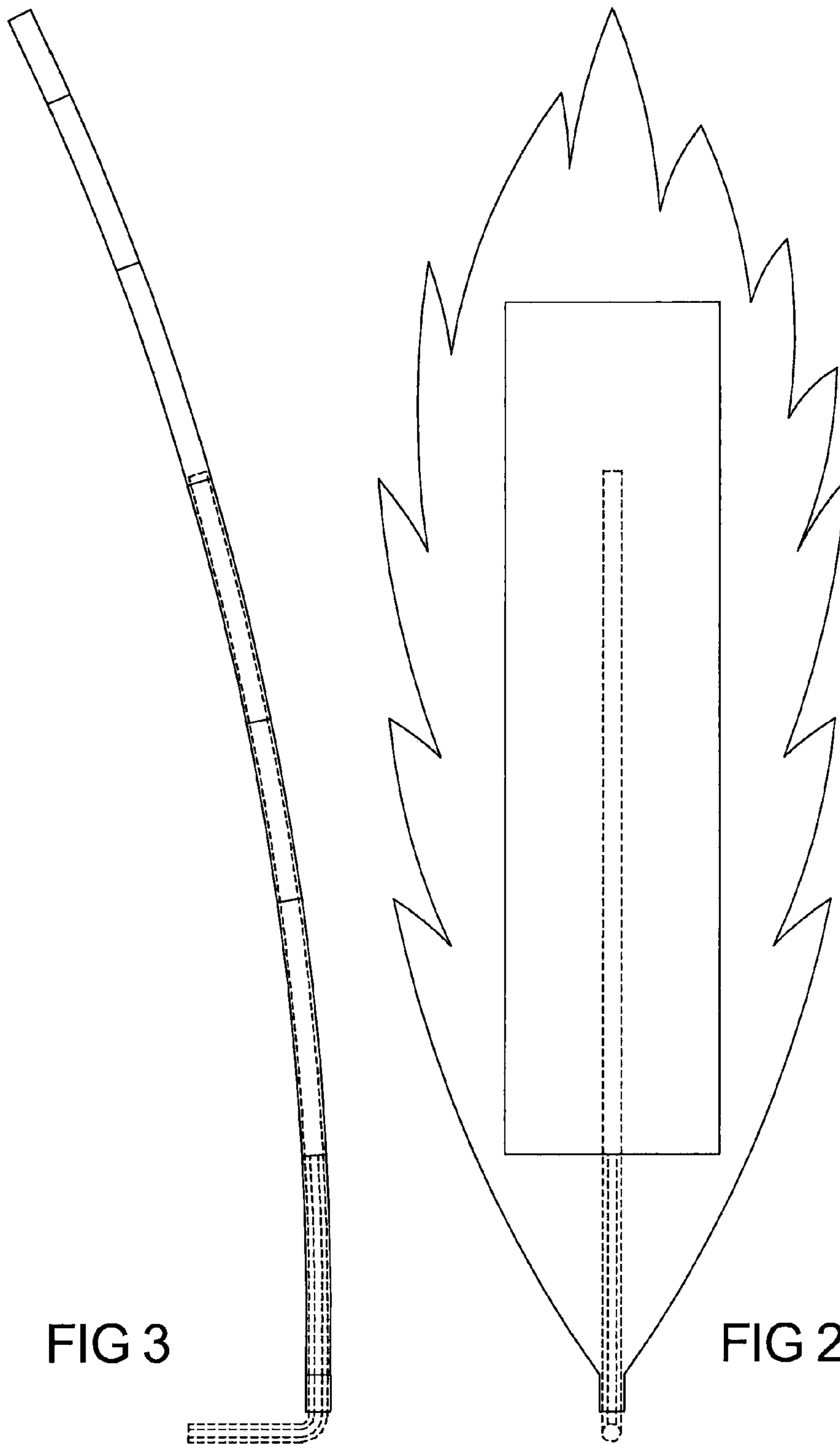


FIG 3

FIG 2

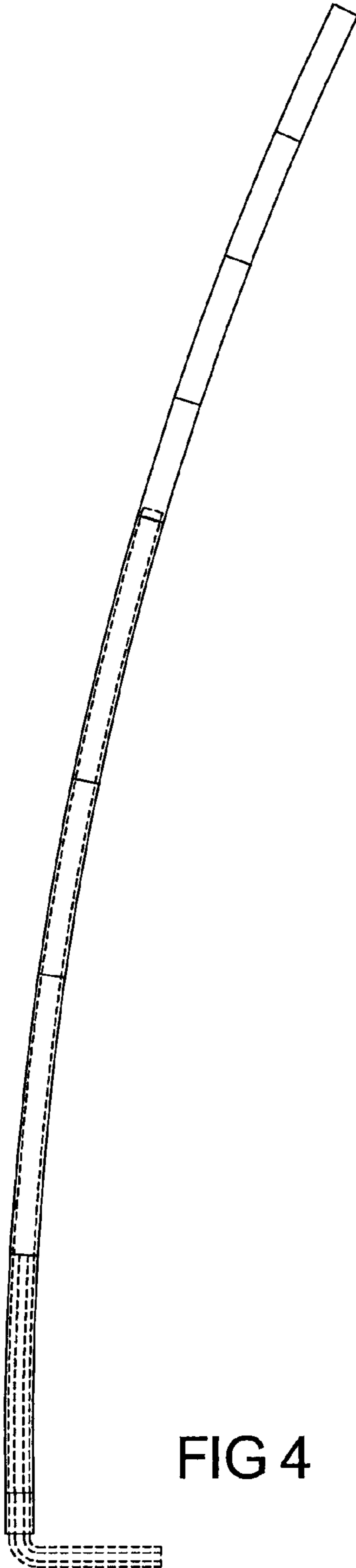


FIG 4

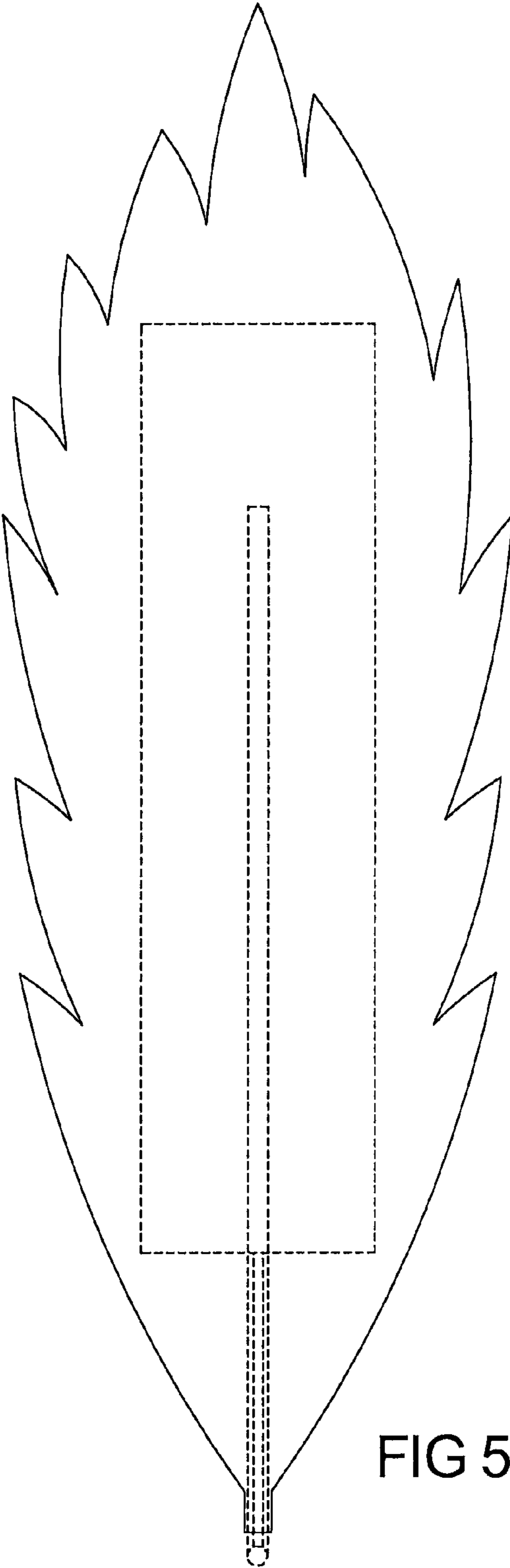


FIG 5

