



US00D630966S

(12) **United States Design Patent**  
**Papadimitriou**

(10) **Patent No.:** **US D630,966 S**

(45) **Date of Patent:** **\*\* \*Jan. 18, 2011**

(54) **DROP EARRINGS**

(75) Inventor: **Costantino Papadimitriou**, Milan (IT)

(73) Assignee: **De Beer Centenary AG**, Lucerne (CH)

(\*) Notice: This patent is subject to a terminal disclaimer.

(\*\*) Term: **14 Years**

(21) Appl. No.: **29/345,971**

(22) Filed: **Oct. 23, 2009**

(30) **Foreign Application Priority Data**

Apr. 24, 2009 (EP) ..... 001127583-0014  
Apr. 24, 2009 (EP) ..... 001127583-0015

(51) **LOC (9) Cl.** ..... **11-02**

(52) **U.S. Cl.** ..... **D11/43**

(58) **Field of Classification Search** ..... D11/1-45,  
D11/79-85; 63/12, 13, 14.1-14.8  
See application file for complete search history.

(56) **References Cited**

**U.S. PATENT DOCUMENTS**

D128,831 S \* 8/1941 Silson ..... D11/44  
D157,454 S \* 2/1950 Wheeler ..... D11/26  
D161,042 S \* 11/1950 Philippe ..... D11/45  
D161,747 S \* 1/1951 Grant ..... D11/26

(Continued)

**OTHER PUBLICATIONS**

Earring. <http://www.northwestjewelry.com/store/images/uploads/2009%20earrings/EAADI013%20krementz%20diamond%20dangle%20earrings.jpg>  
Accessed Feb. 24, 2010.\*

(Continued)

*Primary Examiner*—Cathron C Brooks

*Assistant Examiner*—Melanie Levy

(74) *Attorney, Agent, or Firm*—SNR Denton US LLP; Brian R. McGinley

(57) **CLAIM**

The ornamental design for a drop earring, as shown and described.

**DESCRIPTION**

FIG. 1 is a front view of the drop earring illustrating the new design;

FIG. 2 is a rear view of the drop earring illustrated in FIG. 1;

FIG. 3 is a top view of the drop earring illustrated in FIG. 1;

FIG. 4 is a bottom view of the drop earring illustrated in FIG. 1;

FIG. 5 is a right side elevational view of the drop earring shown in FIG. 1;

FIG. 6 is a left side elevational view of the drop earring illustrated in FIG. 1;

FIG. 7 is a perspective view of the drop earring illustrated in FIG. 1;

FIG. 8 is a front view of an alternative embodiment of the drop earring illustrated in FIG. 1;

FIG. 9 is a rear view of the drop earring illustrated in FIG. 8;

FIG. 10 is a top view of the drop earring illustrated in FIG. 8;

FIG. 11 is a bottom view of the drop earring illustrated in FIG. 8;

FIG. 12 is a right side view of the drop earring illustrated in FIG. 8;

FIG. 13 is a left side view of the drop earring illustrated in FIG. 8; and,

FIG. 14 is a perspective view of the drop earring illustrated in FIG. 8.

**1 Claim, 4 Drawing Sheets**



# US D630,966 S

Page 2

## U.S. PATENT DOCUMENTS

D164,165 S \* 8/1951 Grant ..... D11/26  
D225,083 S \* 11/1972 Kott ..... D26/8  
D279,877 S \* 7/1985 Moon ..... D11/43  
D465,173 S \* 11/2002 Gordon ..... D11/26  
D470,307 S \* 2/2003 McCormack ..... D3/219  
D491,090 S \* 6/2004 Osinga ..... D11/26  
D491,091 S \* 6/2004 Osinga ..... D11/26  
D491,832 S \* 6/2004 Gordon ..... D11/26  
D567,132 S \* 4/2008 Bulgari ..... D11/43  
D590,291 S \* 4/2009 Brescia ..... D11/26  
D595,178 S \* 6/2009 Colombani ..... D11/79  
D601,913 S \* 10/2009 Cappellieri ..... D11/26  
D602,799 S \* 10/2009 Colombani ..... D11/3  
D605,968 S \* 12/2009 Colombani ..... D11/40

D605,970 S \* 12/2009 Colombani ..... D11/41  
D607,364 S \* 1/2010 Marks ..... D11/40

## OTHER PUBLICATIONS

Earring.<http://fjewelrystore.com/products/42486.html>. Accessed Feb. 24, 2010.\*  
Earring.<http://www.splendicity.com/styleitless/files/2009/06/silvertone-twisted-drop-earrings.jpg>. Accessed Feb. 24, 2010.\*  
Earring. [http://images.helloemeralds.com/f/726/16199/12h/www.helloemeralds.com/emeralds/assets/product\\_images/PAOHIDGNHMILOGDct.jpg](http://images.helloemeralds.com/f/726/16199/12h/www.helloemeralds.com/emeralds/assets/product_images/PAOHIDGNHMILOGDct.jpg). Accessed Nov. 3, 2009.\*  
Earring. [https://www.kranichs.com/product\\_images/Everlon@5074\\_M\\_S5-8220\\_M.jpg](https://www.kranichs.com/product_images/Everlon@5074_M_S5-8220_M.jpg). Accessed Feb. 24, 2010.\*

\* cited by examiner

FIG 1

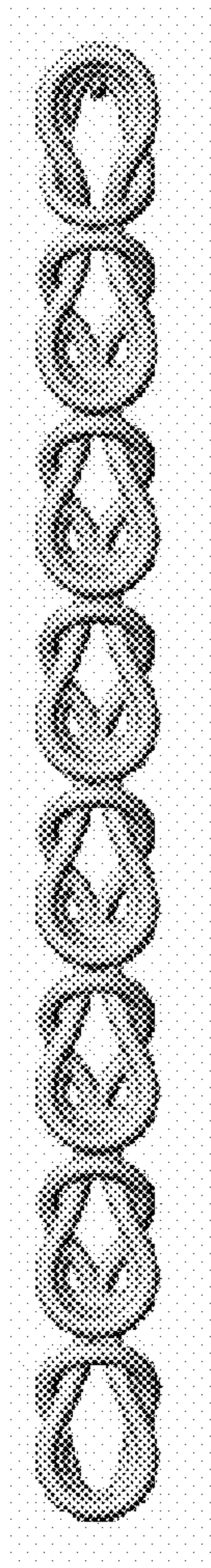


FIG 2

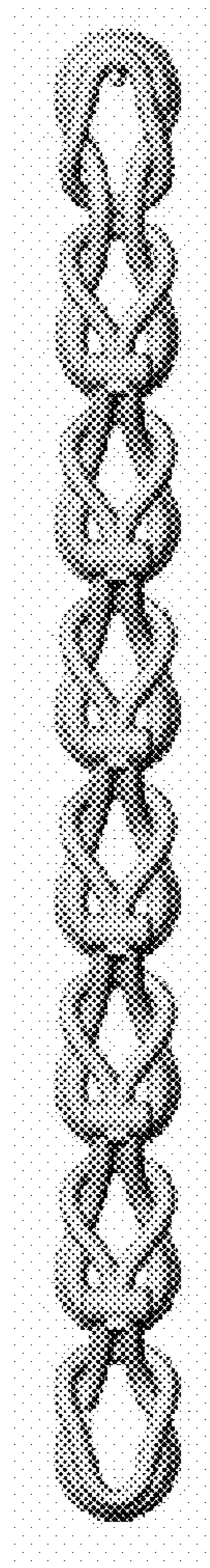


FIG 5

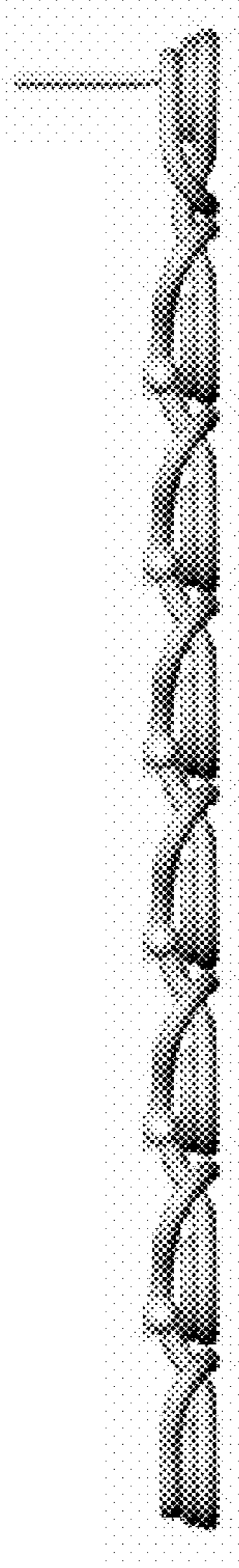


FIG 6

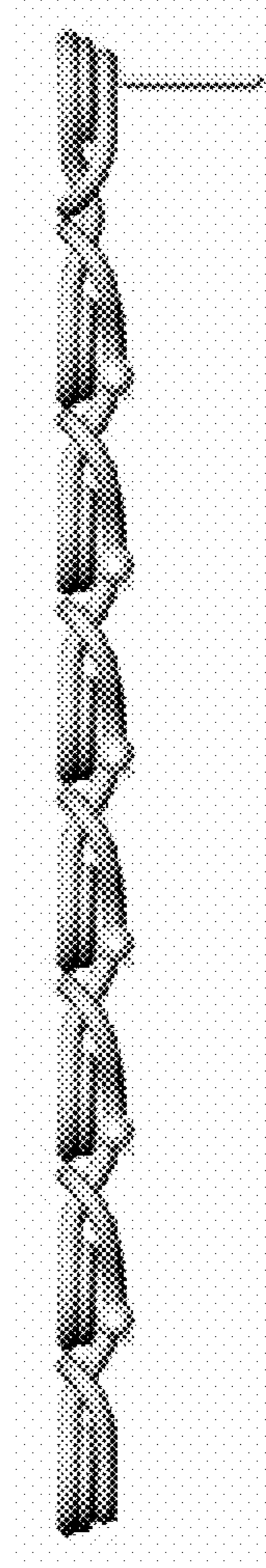


FIG 3

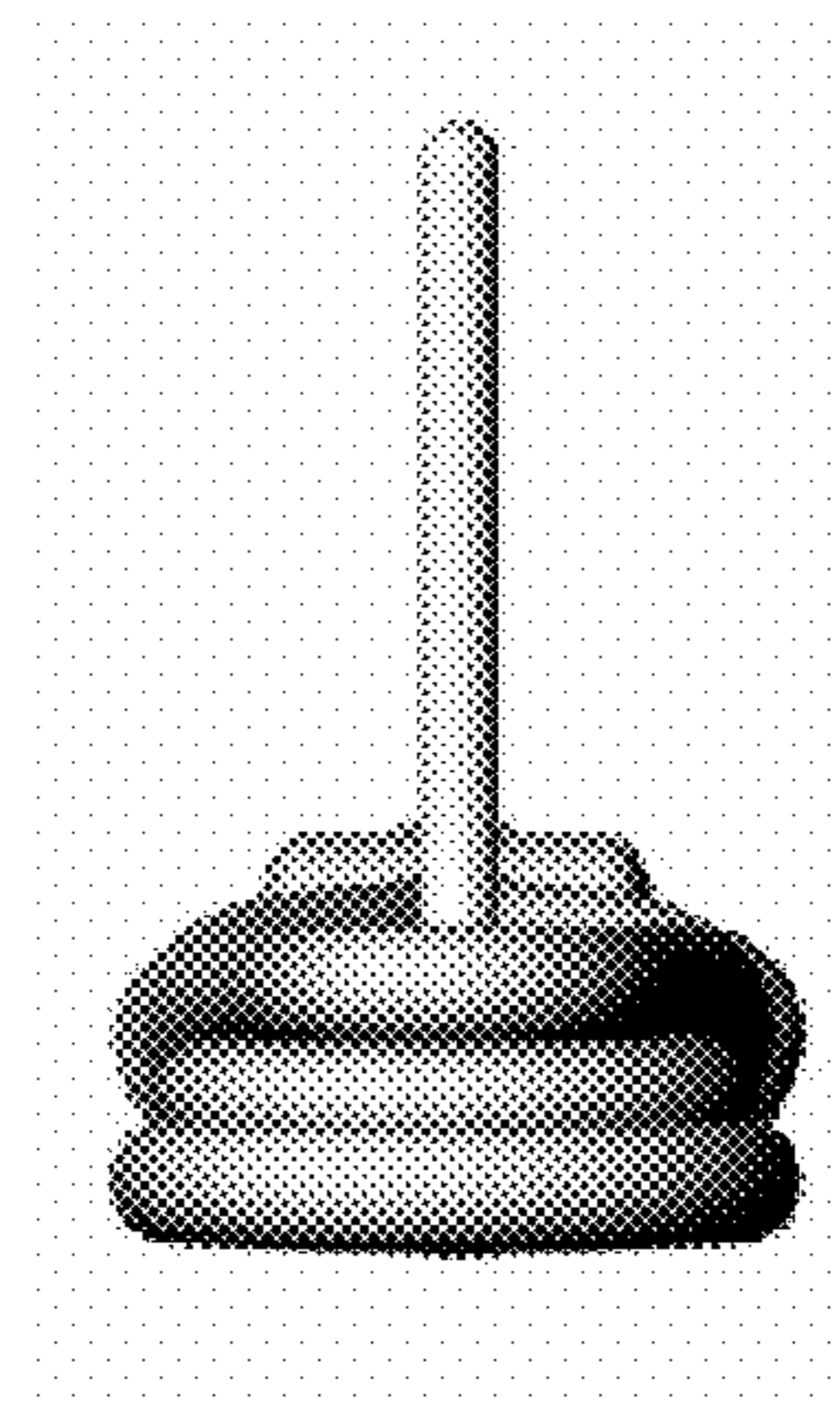


FIG 4

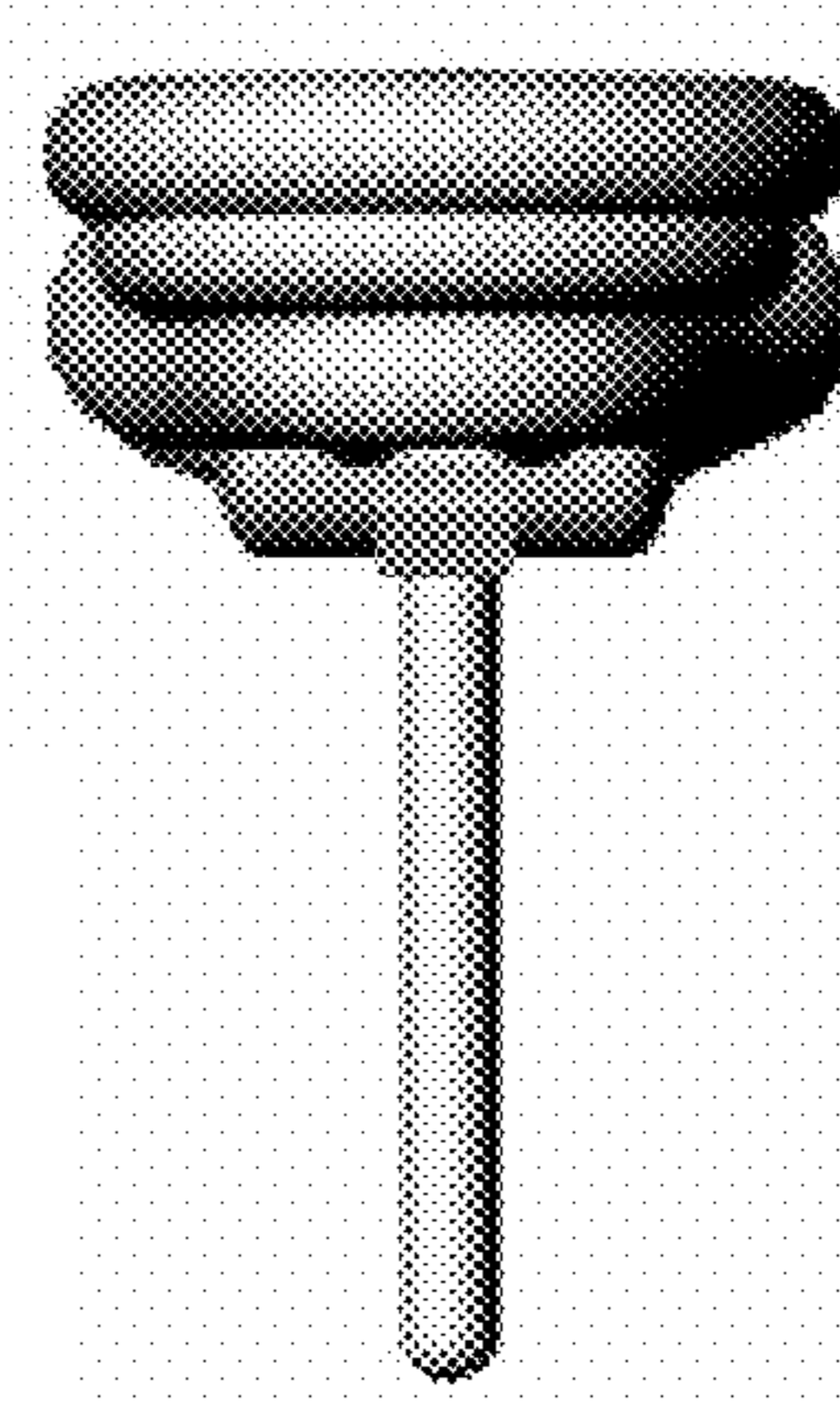


FIG 7

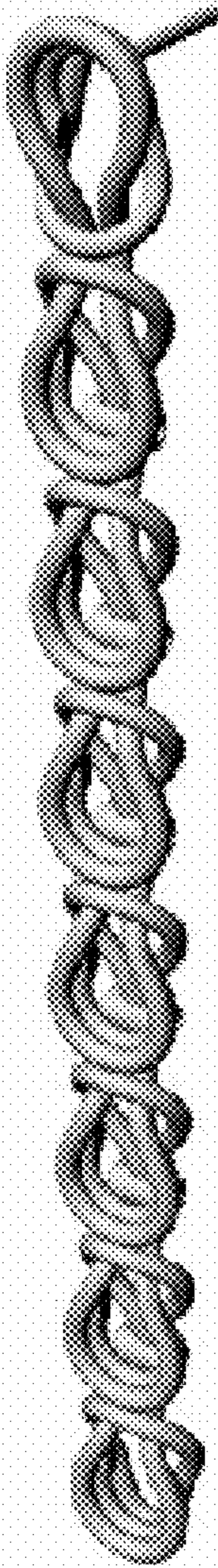


FIG 8

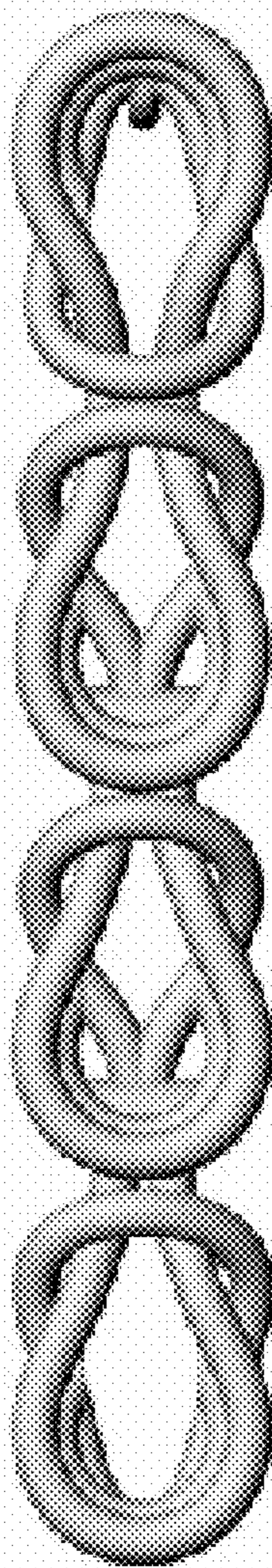


FIG 9

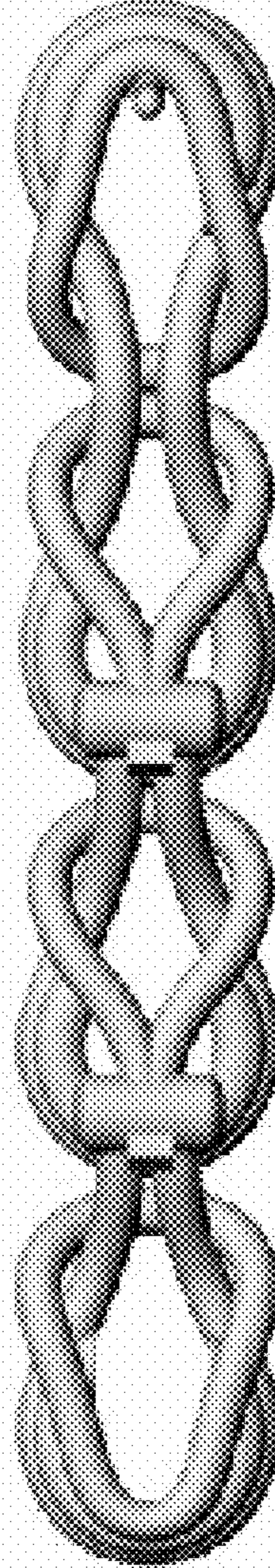


FIG. 10

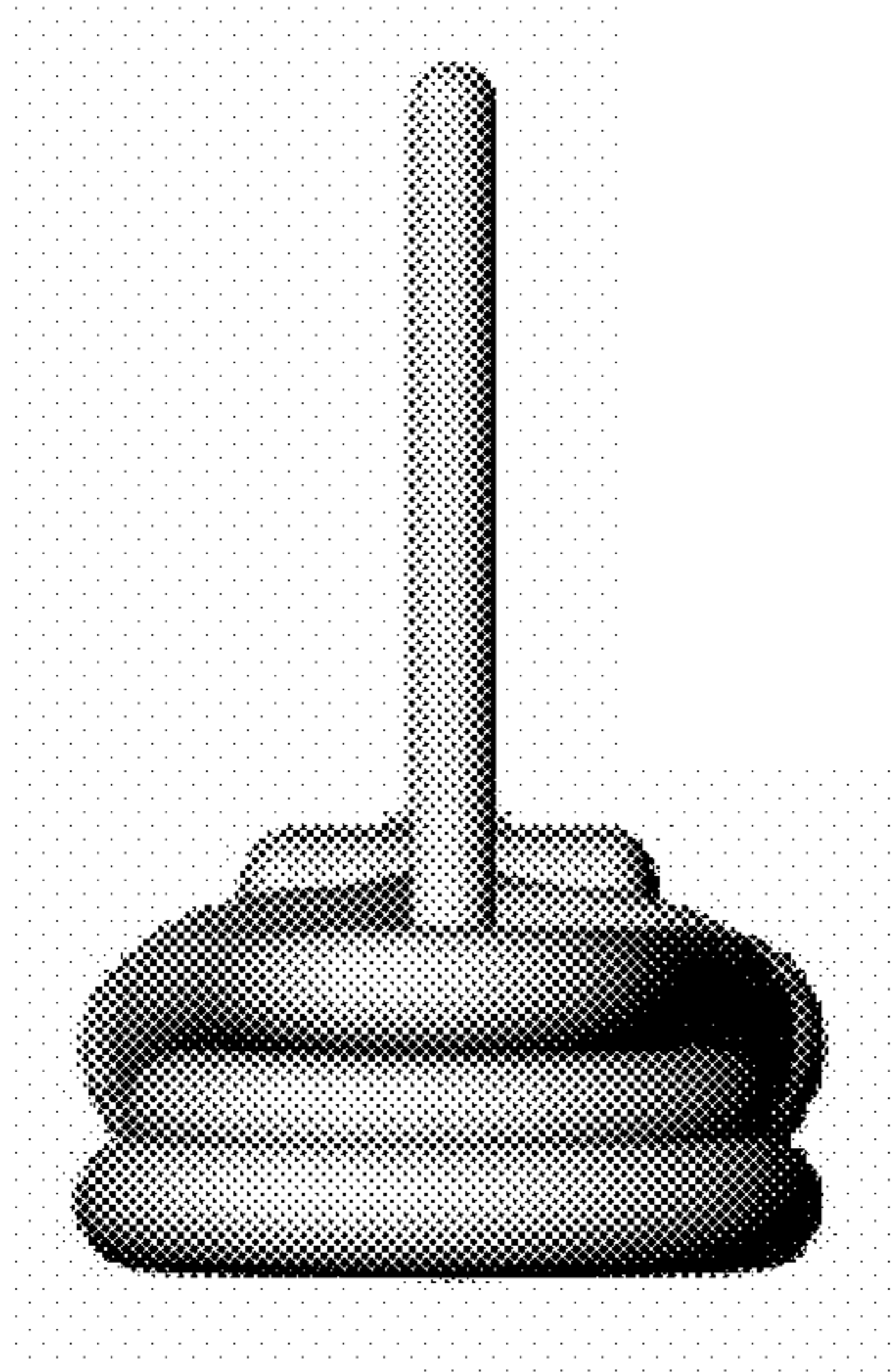


FIG. 11

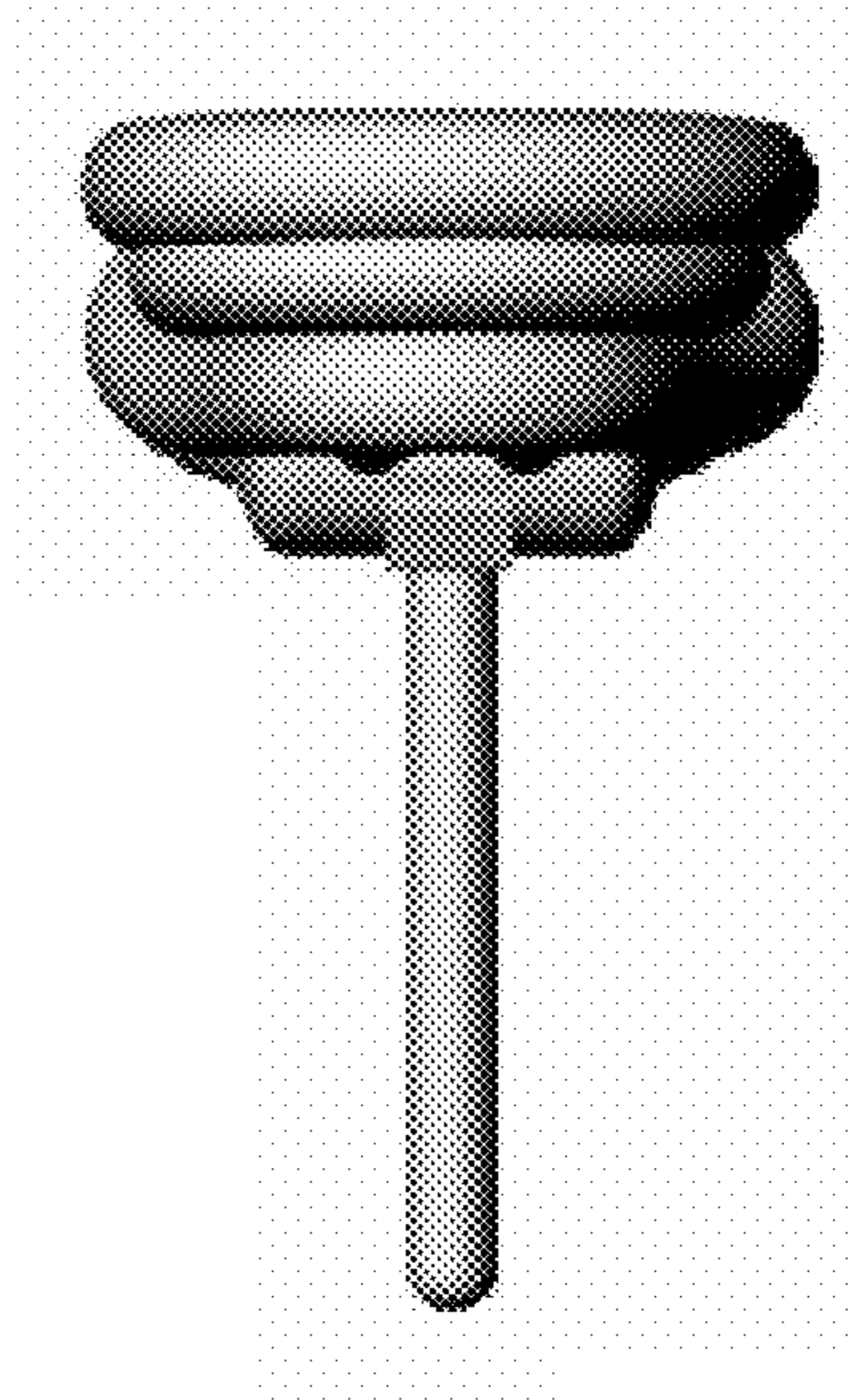


FIG. 12

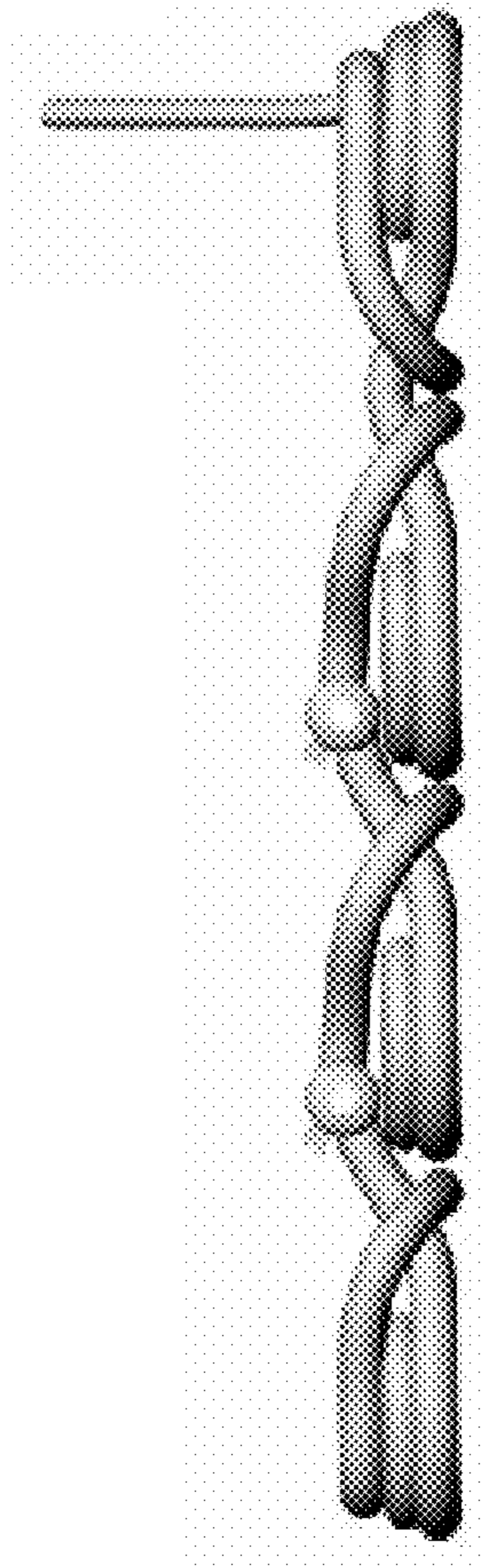


FIG. 13

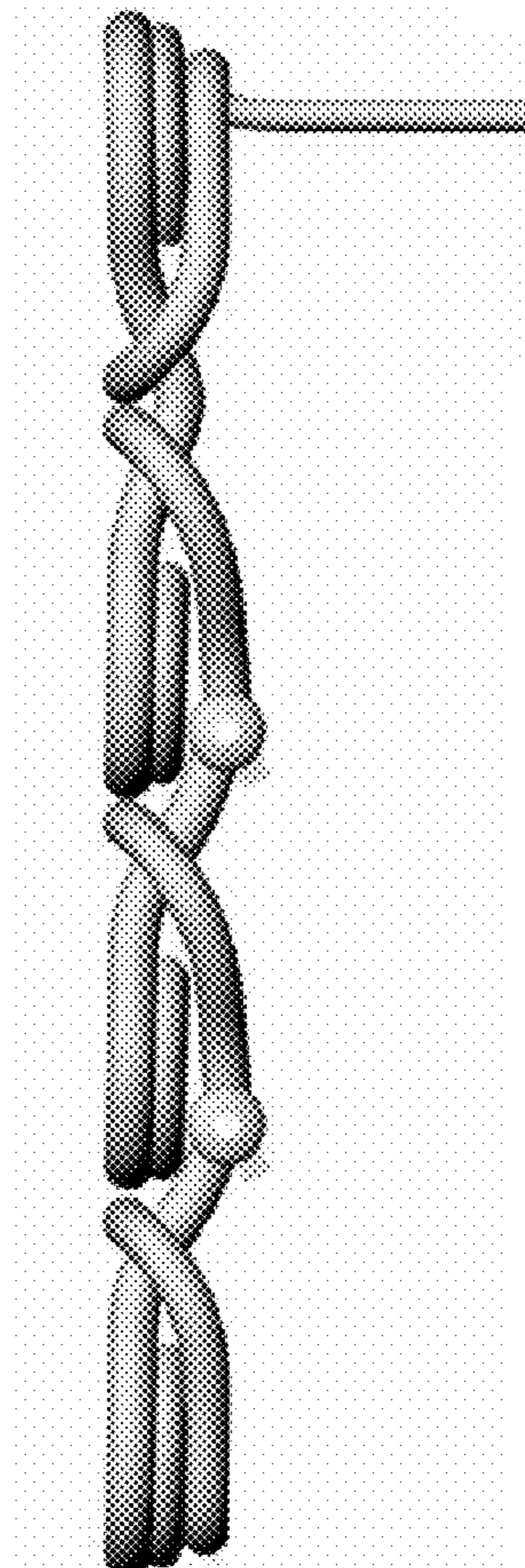


FIG 14

