



US00D630961S

(12) **United States Design Patent**  
**Ciuchindel et al.**

(10) **Patent No.:** **US D630,961 S**  
(45) **Date of Patent:** **\*\* Jan. 18, 2011**

(54) **WATCH**

(75) Inventors: **Nicolas Ciuchindel**, Vernon (FR);  
**Michel Voegeli**, Contamine sur Arve (FR)

(73) Assignee: **Chanel, Inc.**, New York, NY (US)

(\*\*) Term: **14 Years**

(21) Appl. No.: **29/365,133**

(22) Filed: **Jul. 2, 2010**

(30) **Foreign Application Priority Data**

Jan. 8, 2010 (GB) ..... 4013979  
Jan. 8, 2010 (GB) ..... 4013980

(51) **LOC (9) Cl.** ..... **10-07**

(52) **U.S. Cl.** ..... **D10/128; D10/38**

(58) **Field of Classification Search** ..... D10/30-39,  
D10/122-132; 368/276, 281, 282, 285, 288-290,  
368/308, 319, 294, 295  
See application file for complete search history.

(56) **References Cited**

**U.S. PATENT DOCUMENTS**

2,362,245 A \* 11/1944 Cohen ..... 368/190  
D295,841 S \* 5/1988 Kano ..... D10/39  
D297,817 S \* 9/1988 Guan ..... D10/30  
D322,411 S \* 12/1991 Schneider ..... D10/39  
D324,183 S \* 2/1992 Hattori et al. .... D10/39  
D325,528 S \* 4/1992 Schneider ..... D10/32  
D339,304 S \* 9/1993 Kawashima ..... D10/39  
5,319,617 A \* 6/1994 Sonoda ..... 368/294  
D358,776 S \* 5/1995 Pandel ..... D10/30  
D378,355 S \* 3/1997 Charriol ..... D10/30  
D379,324 S \* 5/1997 Osit ..... D10/128  
D379,768 S \* 6/1997 Osit ..... D10/30  
D382,815 S \* 8/1997 Riley ..... D10/30  
D384,295 S \* 9/1997 Riley ..... D10/30  
D386,437 S \* 11/1997 Sang ..... D10/128  
D401,163 S \* 11/1998 Buchser ..... D10/32  
D401,863 S \* 12/1998 Fujihara et al. .... D10/30  
D413,816 S \* 9/1999 Schiavo et al. .... D10/30

D415,693 S \* 10/1999 Kennedy ..... D10/30  
D494,492 S \* 8/2004 Pibouleau ..... D10/128  
D512,923 S \* 12/2005 Bolt et al. .... D10/39  
6,980,488 B2 \* 12/2005 Schneider ..... 368/37  
D561,612 S \* 2/2008 Finazzi ..... D10/38  
D564,909 S \* 3/2008 Kume ..... D10/38  
D565,426 S \* 4/2008 Rabassa ..... D10/30  
D574,735 S \* 8/2008 Landman et al. .... D10/38

(Continued)

*Primary Examiner*—Lucy Lieberman  
(74) *Attorney, Agent, or Firm*—Notaro, Michalos & Zaccaria P.C.

(57) **CLAIM**

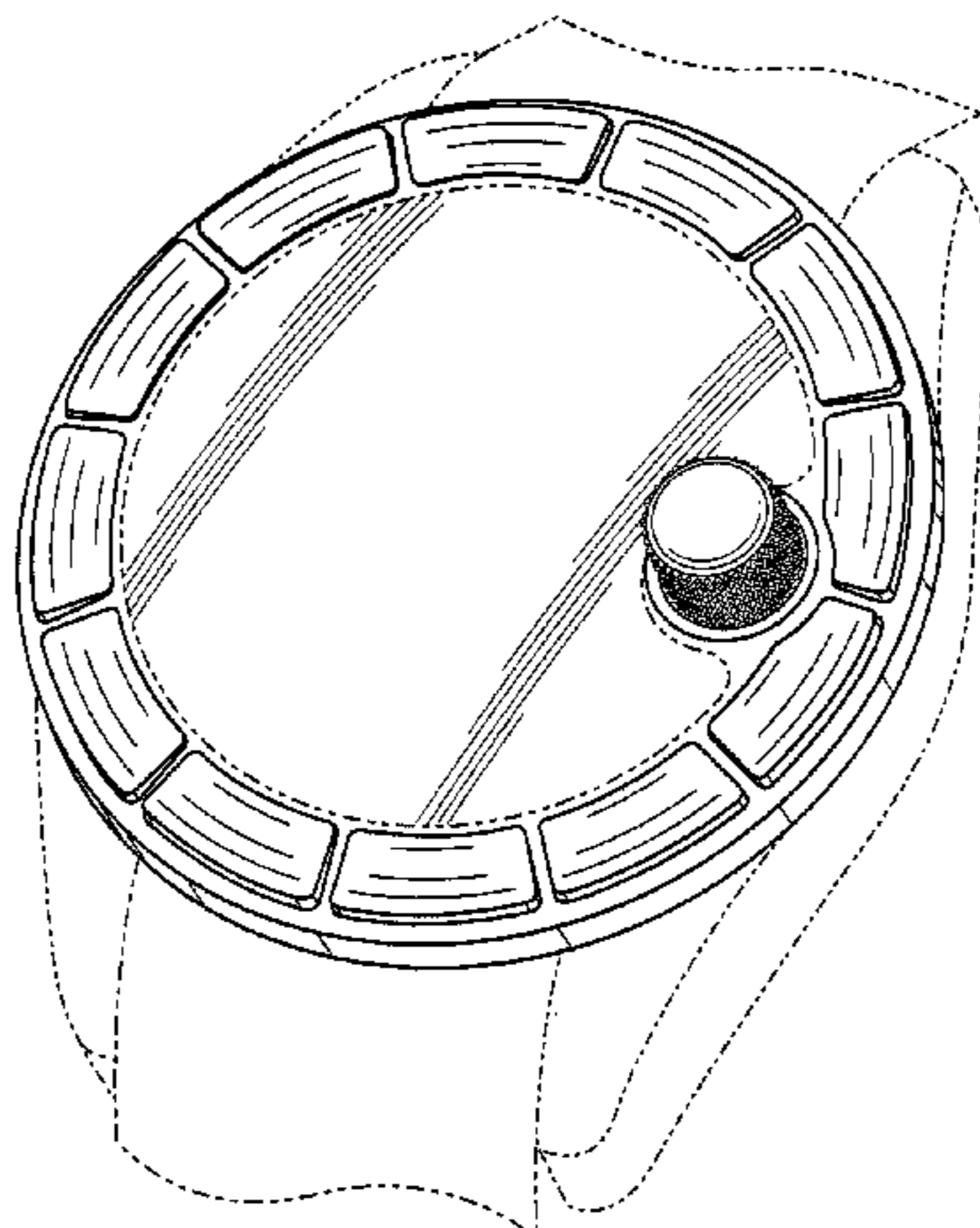
The ornamental design for a watch, as shown and described.

**DESCRIPTION**

FIG. 1 is a front perspective view of a watch showing our new design with the crown in a raised position;  
FIG. 2 is a front perspective view of the watch shown with the crown in a closed position;  
FIG. 3 is a front elevation of FIG. 1;  
FIG. 4 is a front elevation of FIG. 2;  
FIG. 5 is a top view of FIG. 1;  
FIG. 6 is a top view of FIG. 2;  
FIG. 7 is a bottom view of FIG. 1;  
FIG. 8 is a bottom view of FIG. 2;  
FIG. 9 is a right side view of FIG. 1;  
FIG. 10 is a right side view of FIG. 2;  
FIG. 11 is a left side view of FIG. 1; and,  
FIG. 12 is a left side view of FIG. 2.

The broken lines in the drawings are for illustrative purposes only and form no part of the claimed design.

**1 Claim, 8 Drawing Sheets**



# US D630,961 S

Page 2

---

## U.S. PATENT DOCUMENTS

D590,275 S	*	4/2009	Monachon .....	D10/32	
D590,727 S	*	4/2009	Wei .....	D10/38	
D606,887 S	*	12/2009	Landman et al. ....	D10/38	
D608,665 S	*	1/2010	Perrenoud .....	D10/38	
					* cited by examiner

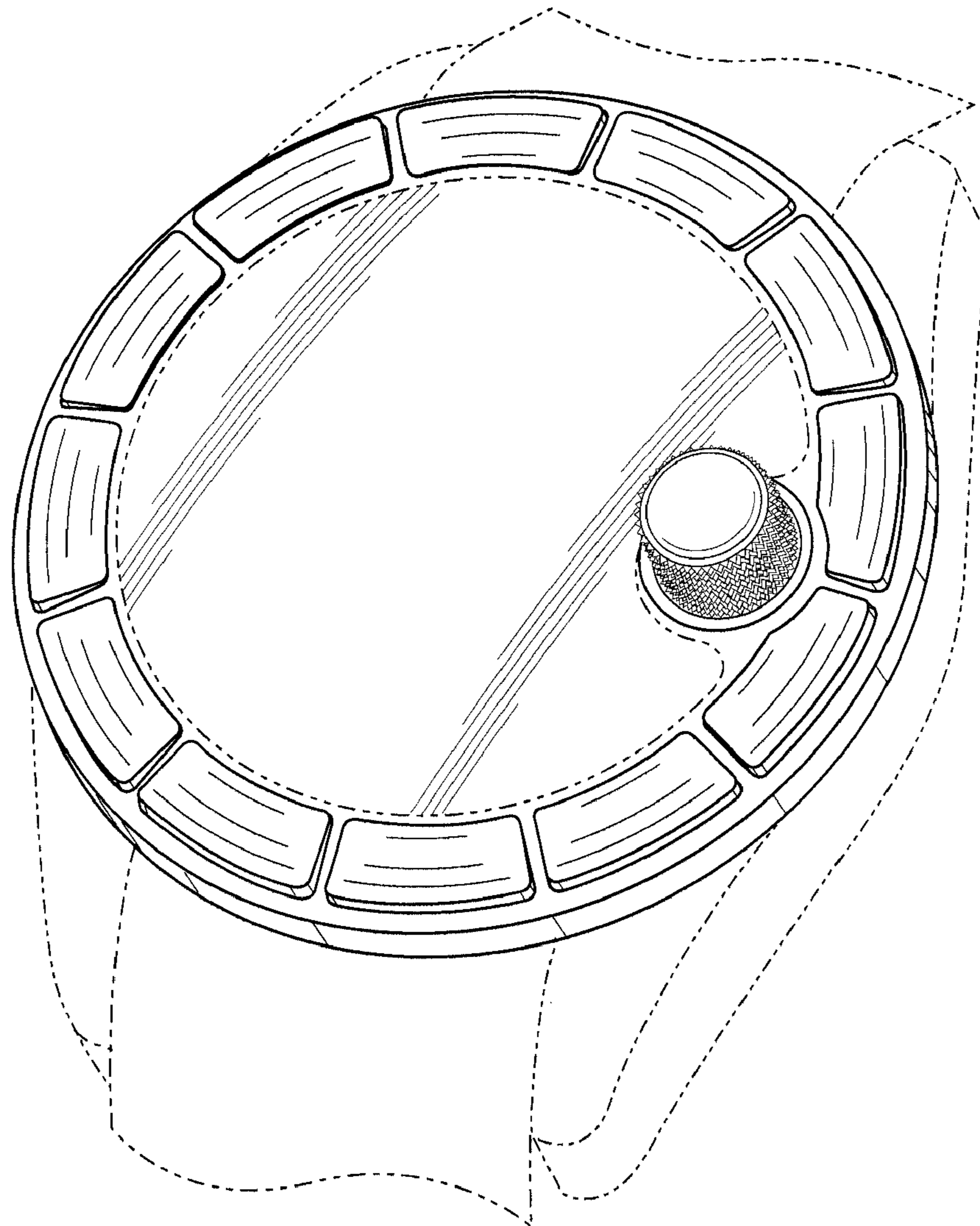


FIG. 1

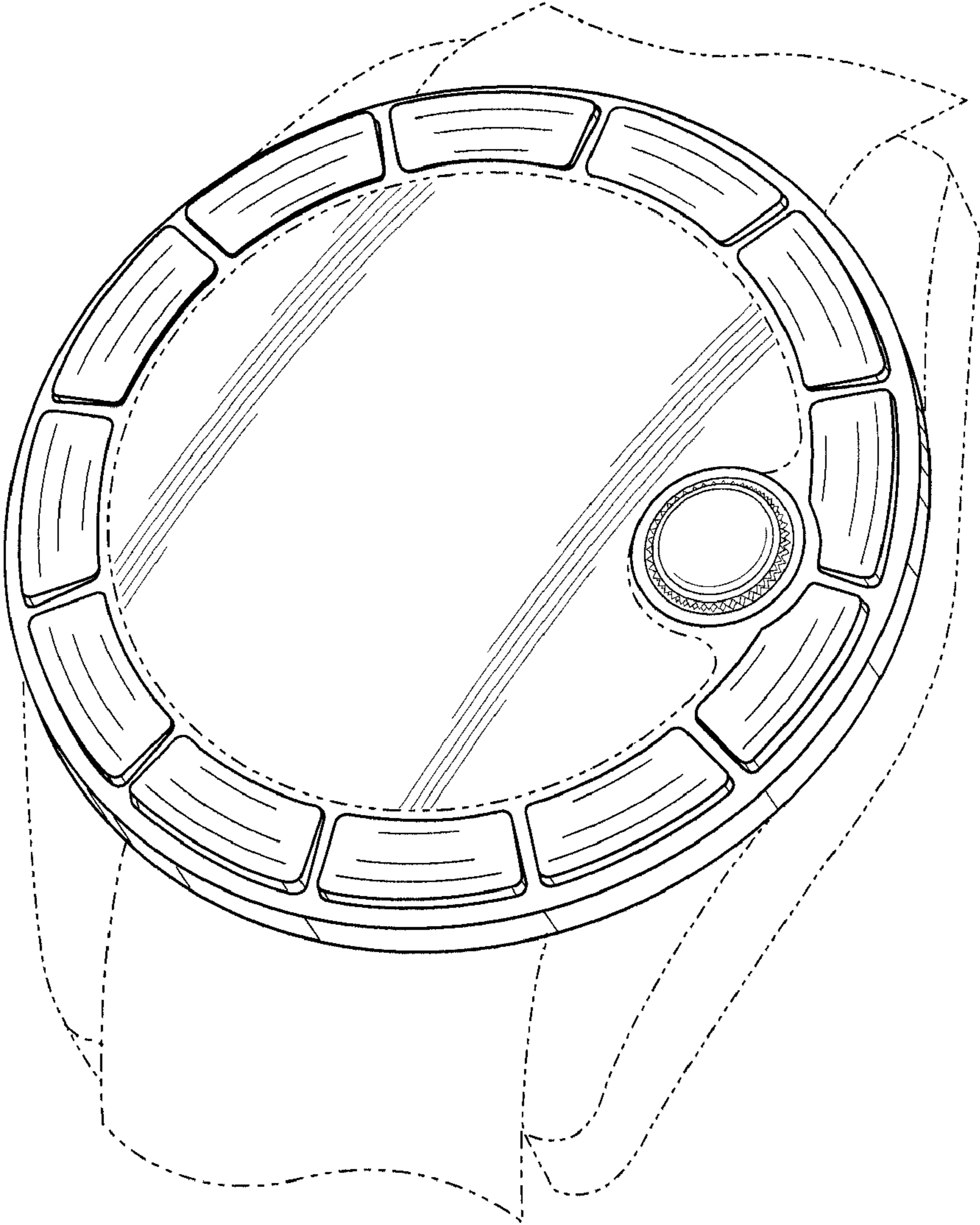


FIG. 2

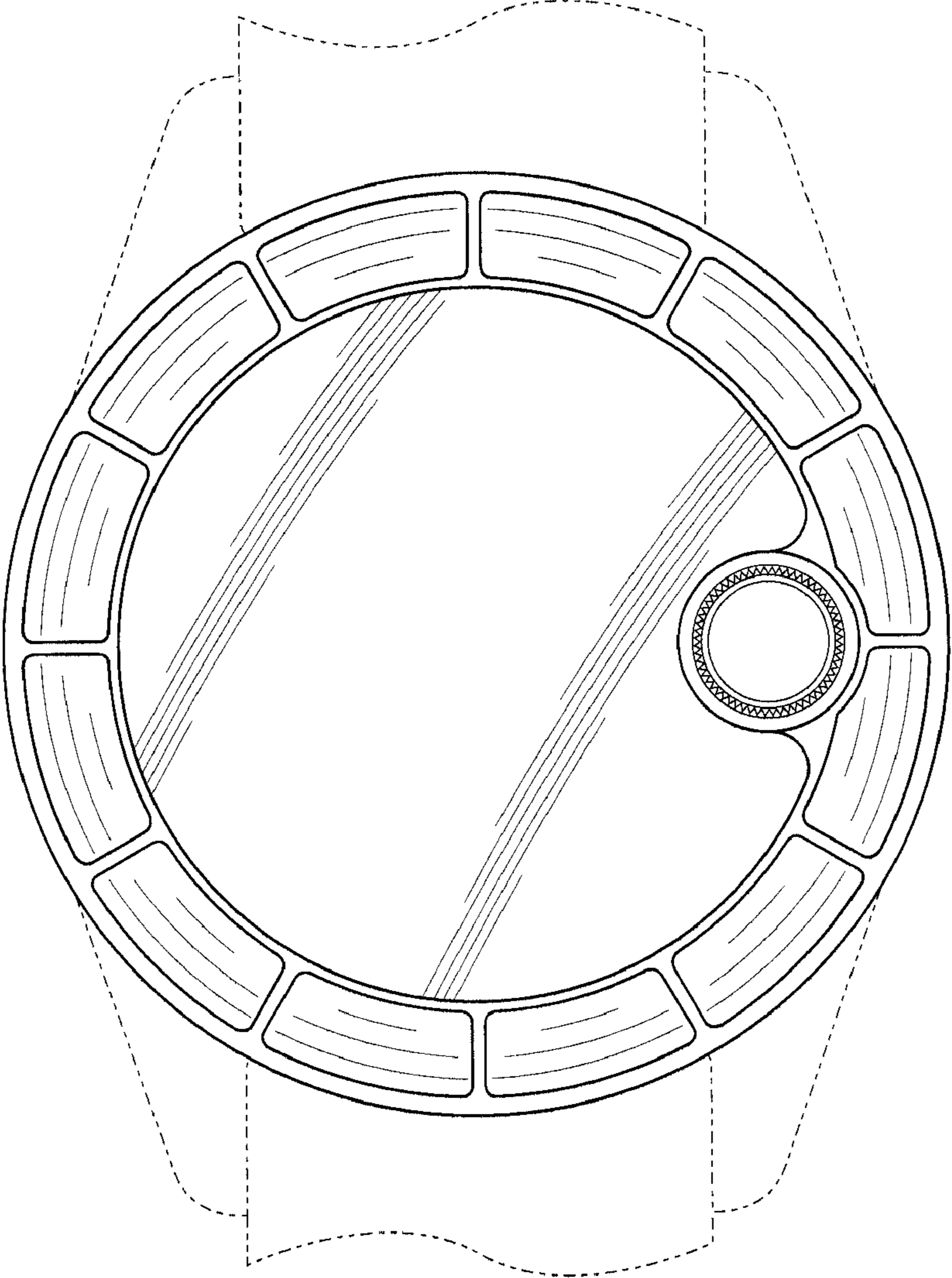


FIG. 3

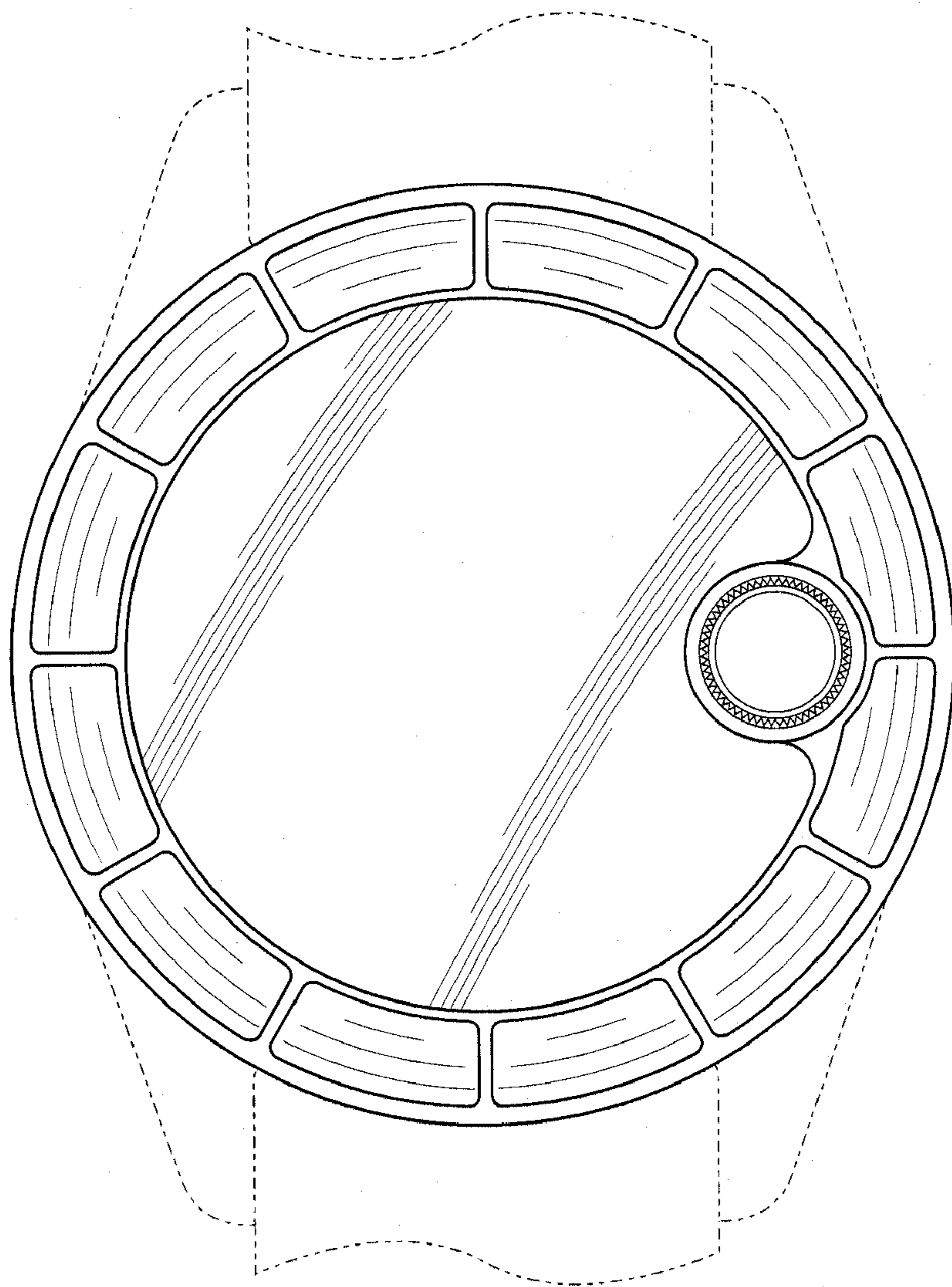


FIG. 4

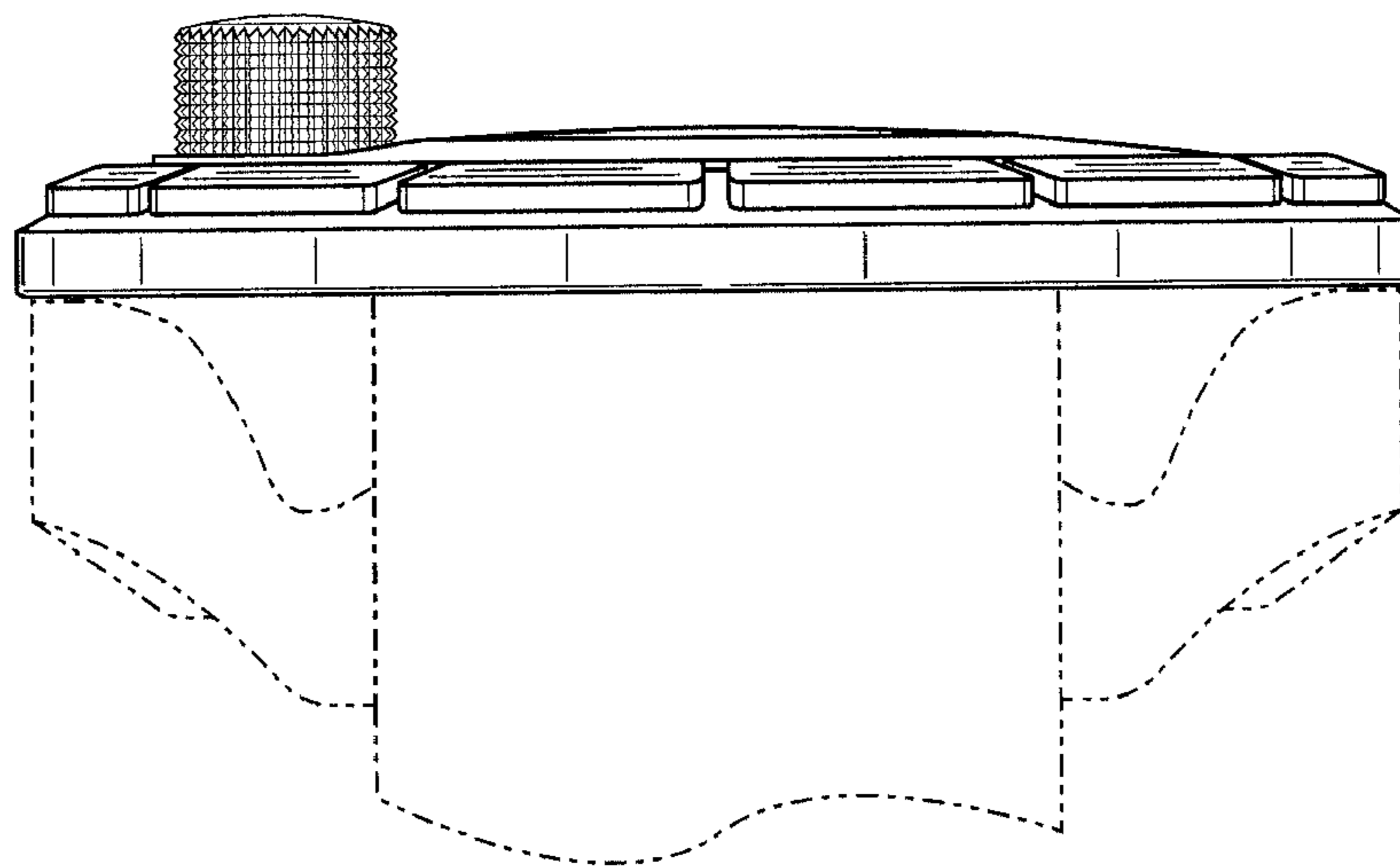


FIG. 5

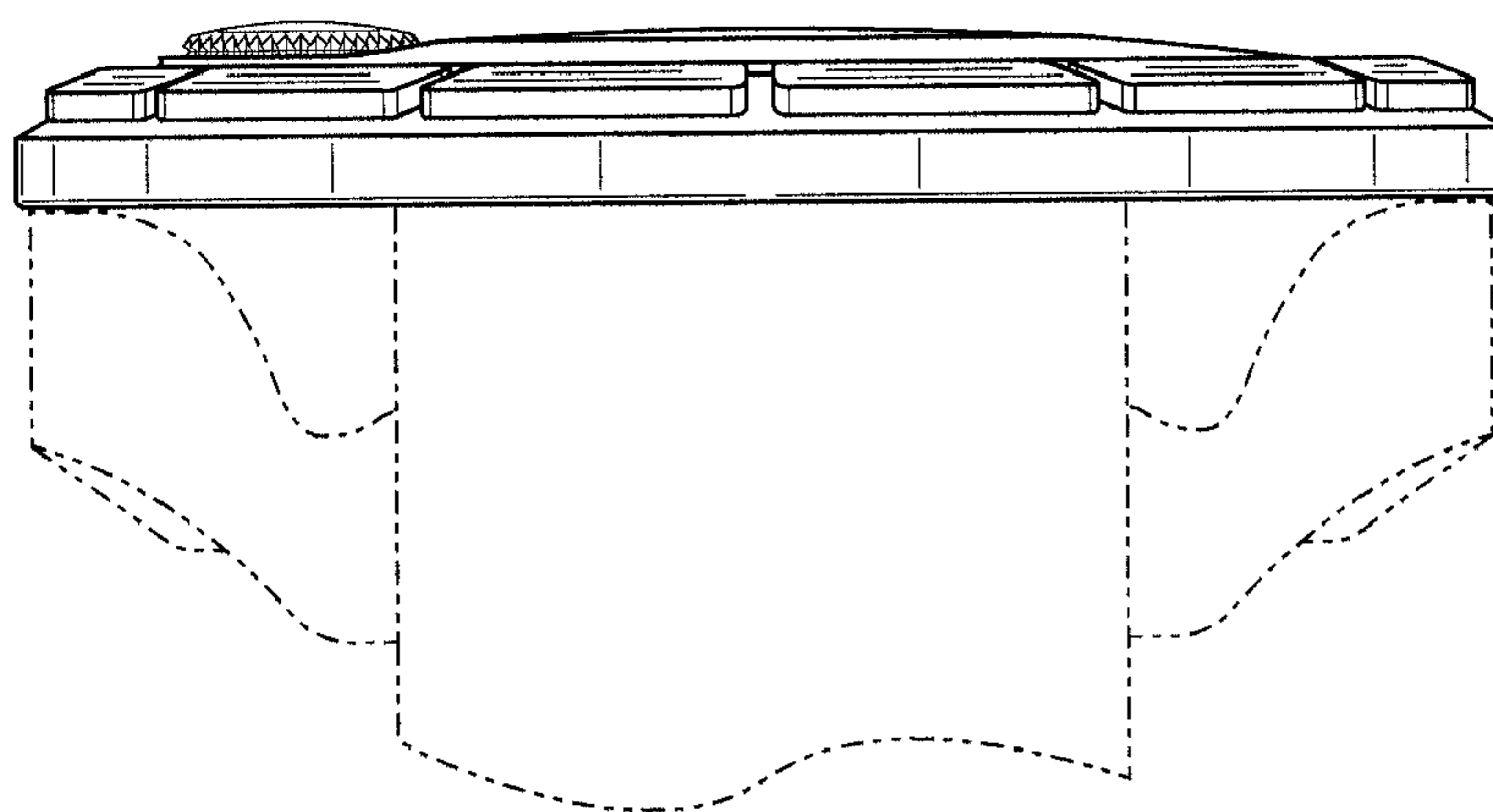


FIG. 6

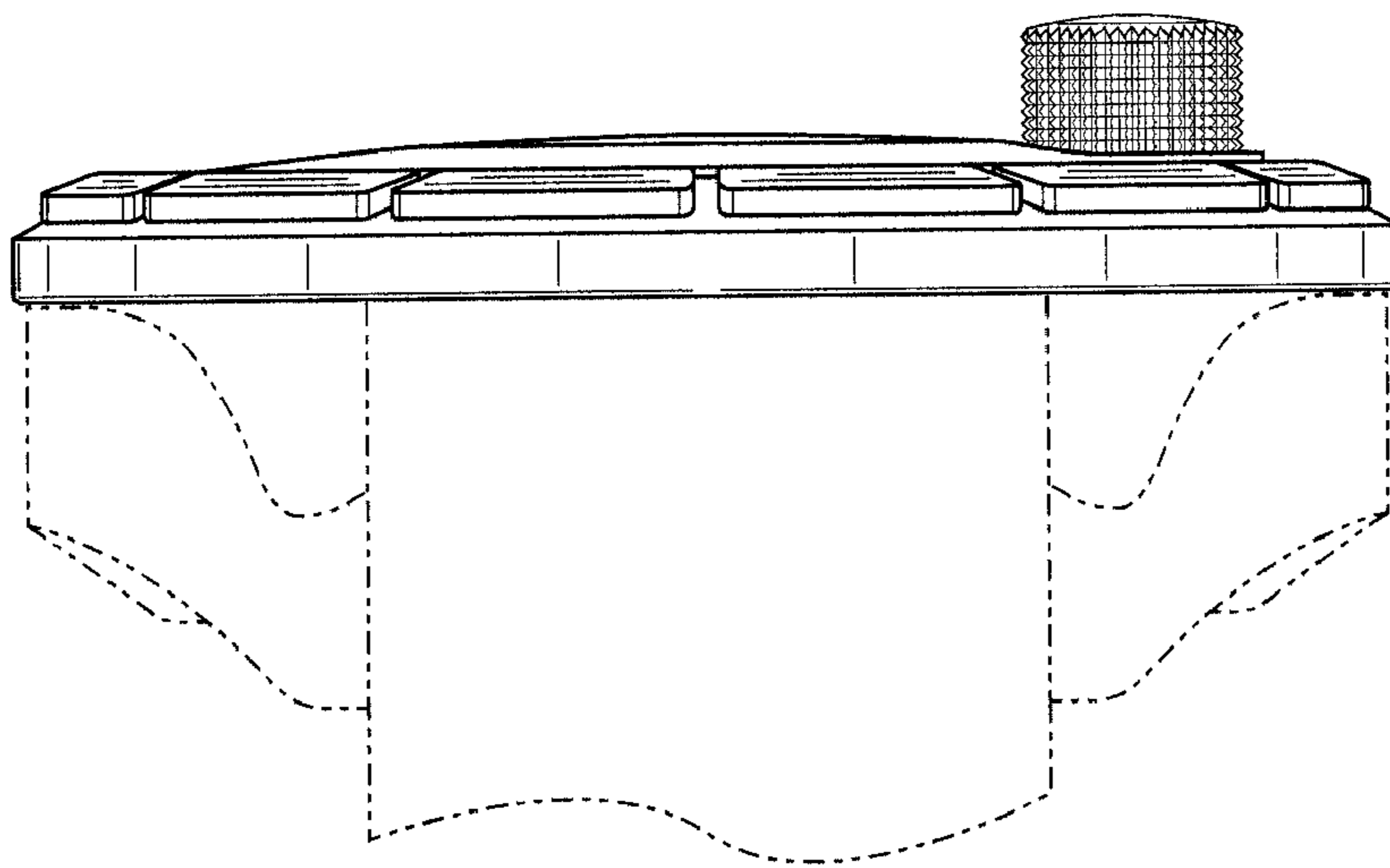


FIG. 7

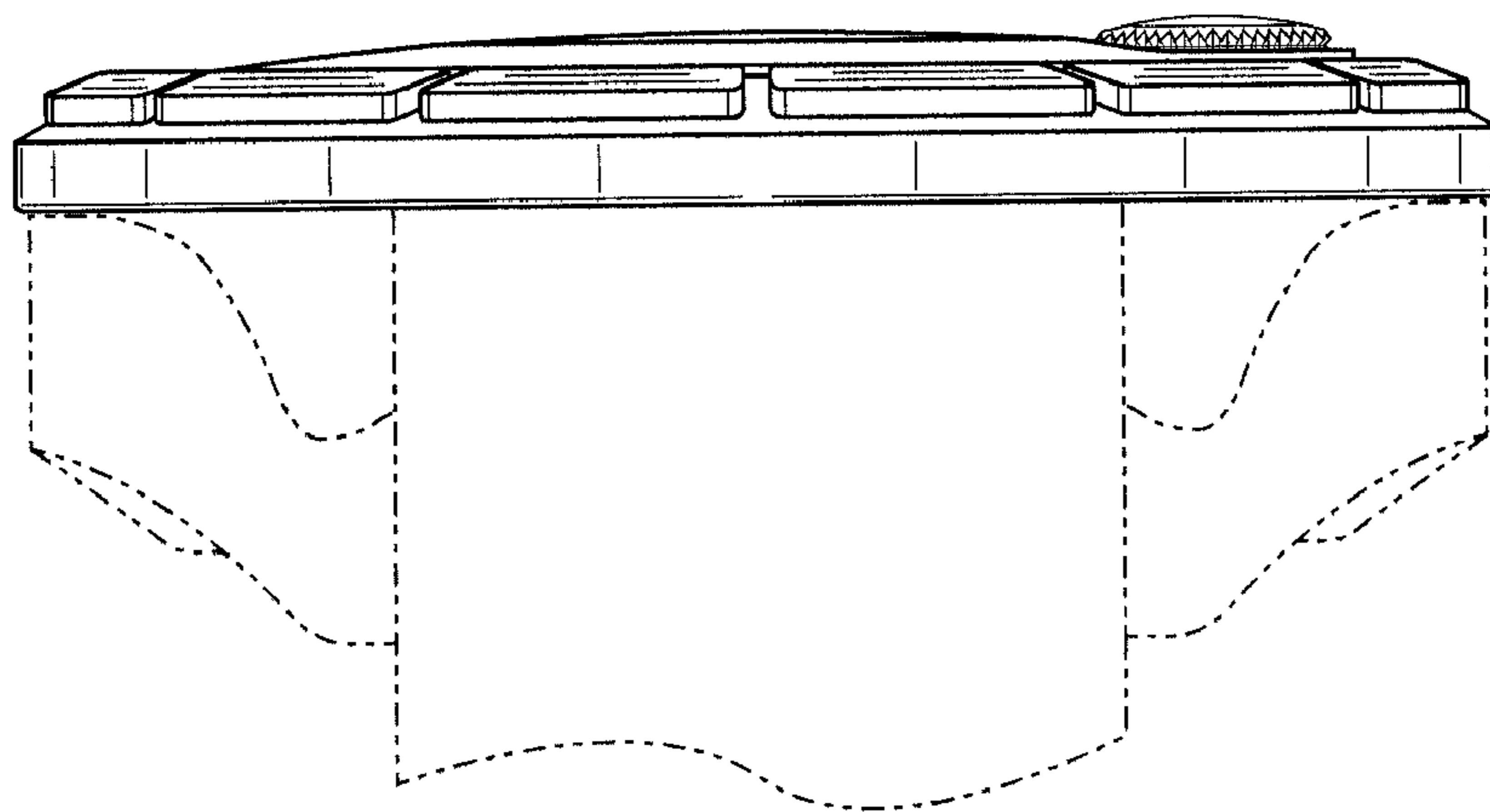


FIG. 8



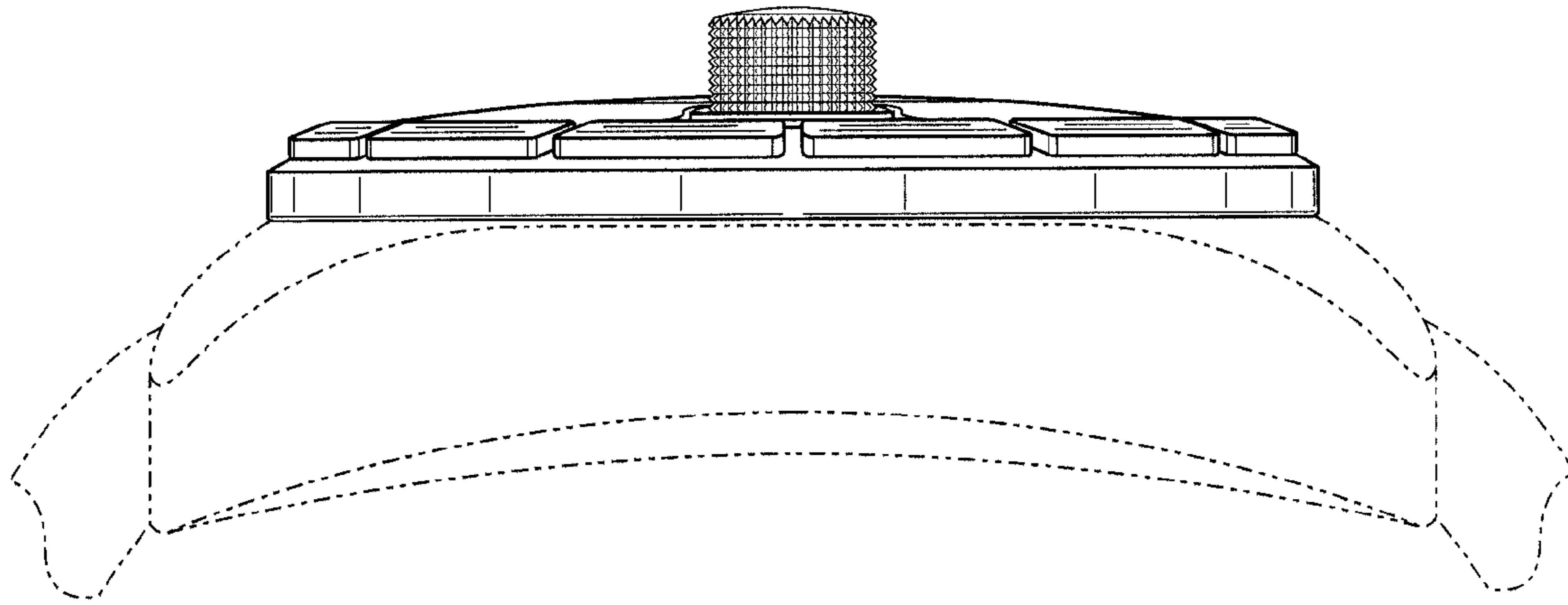


FIG. 9

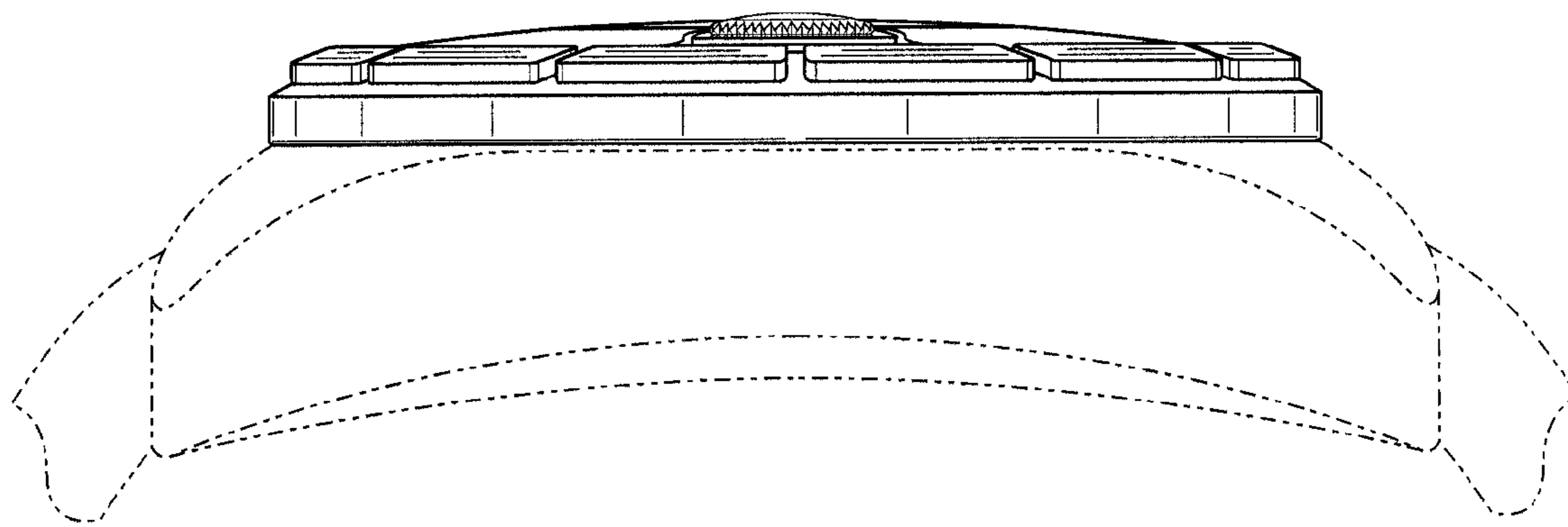


FIG. 10

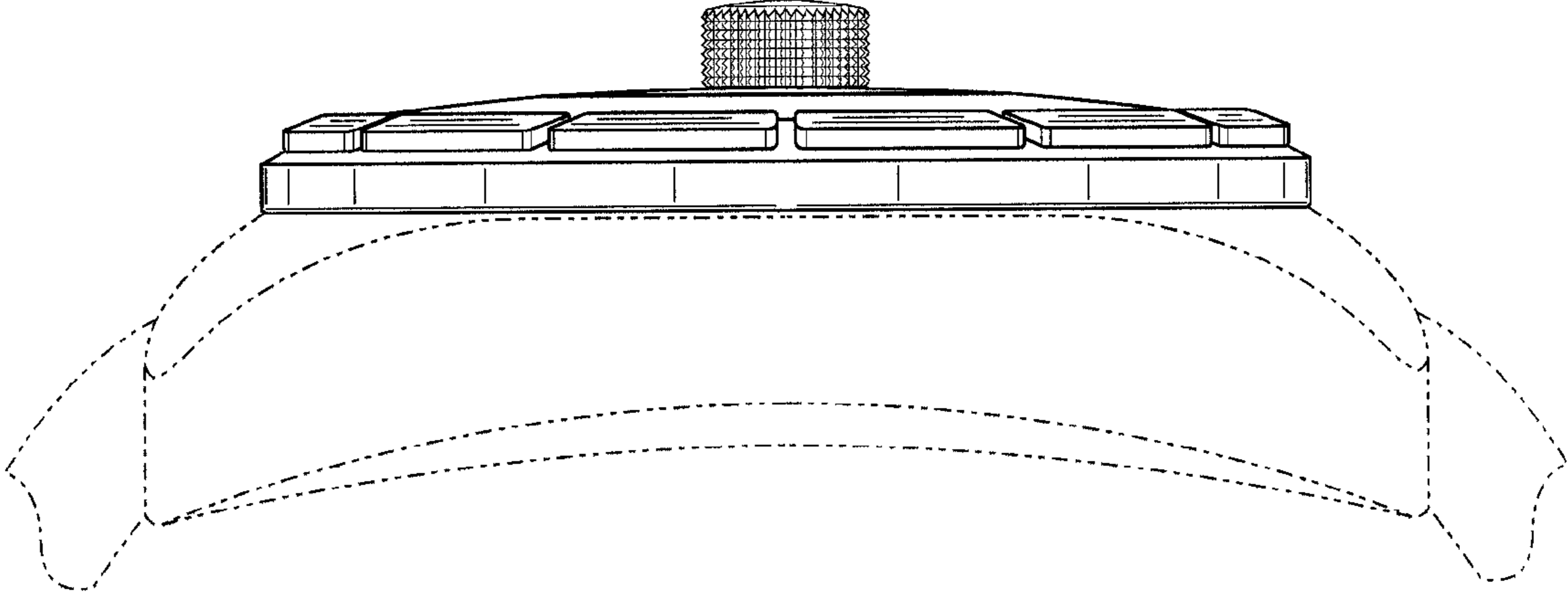


FIG. 11

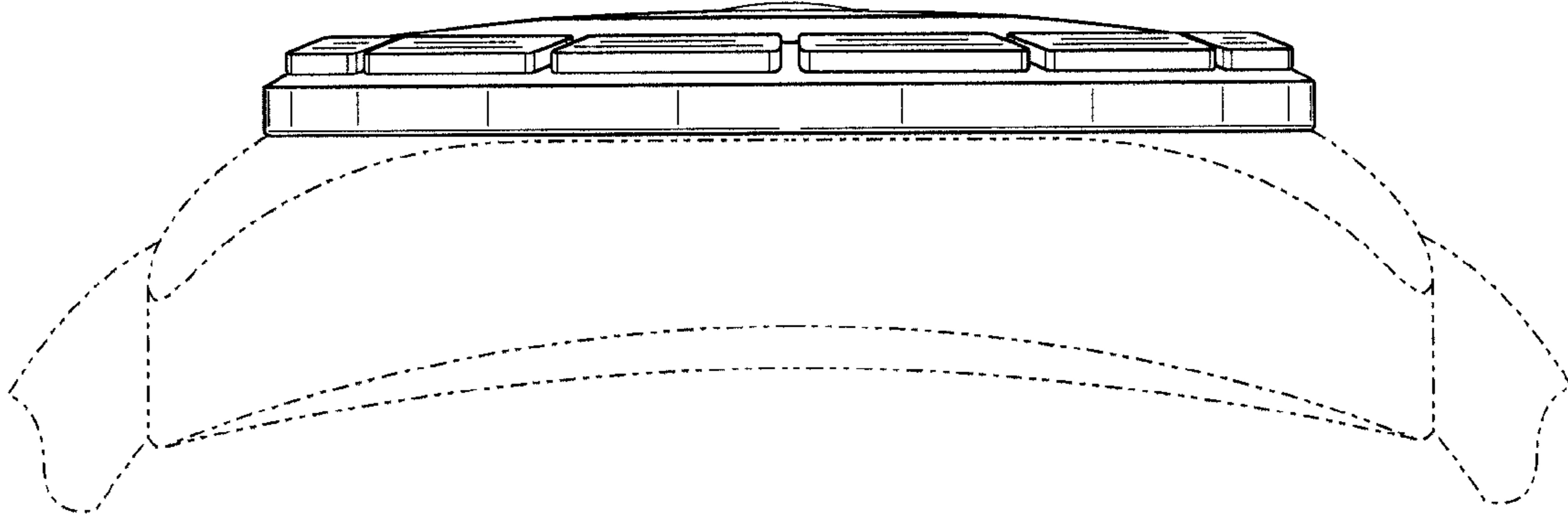


FIG. 12