



US00D630958S

(12) **United States Design Patent**
Zakay et al.

(10) **Patent No.:** **US D630,958 S**
(45) **Date of Patent:** **** Jan. 18, 2011**

(54) **FLOW CONTROLLER**

7,757,711 B2 * 7/2010 Hama 137/601.19

(75) Inventors: **Avraham Zakay**, Zichron Yaakov (IL);
Jonathan Bar-Or, Jordan Valley (IL)

* cited by examiner

(73) Assignee: **A.R.I. Flow Control Accessories Ltd.**,
D.N. Ramat Hagolan (IL)

Primary Examiner—Antoine D Davis
(74) *Attorney, Agent, or Firm*—The Nath Law Group;
Susanne M. Hopkins

(**) Term: **14 Years**

(57) **CLAIM**

(21) Appl. No.: **29/344,775**

The ornamental design for a flow controller, as shown and described.

(22) Filed: **Oct. 5, 2009**

(30) **Foreign Application Priority Data**

DESCRIPTION

Apr. 27, 2009 (EP) 001128110-0001

FIG. 1 is a perspective view of a flow controller;
FIG. 2 is a second perspective view of the flow controller as seen in FIG. 1;
FIG. 3 is a front view of the flow controller, the rear view being a mirror image thereof;
FIG. 4 is a side view of the flow controller as seen in FIG. 3;
FIG. 5 is a top view of the flow controller;
FIG. 6 is a bottom view of the flow controller; and,
FIG. 7 is a rear view of the flow controller.

(51) **LOC (9) Cl.** **10-04**

(52) **U.S. Cl.** **D10/96**

(58) **Field of Classification Search** D10/96;
118/313, 688, 692; 137/599.11, 601.19,
137/601.21, 625.3, 862, 870, 112; 138/40,
138/44; 184/6, 6.4

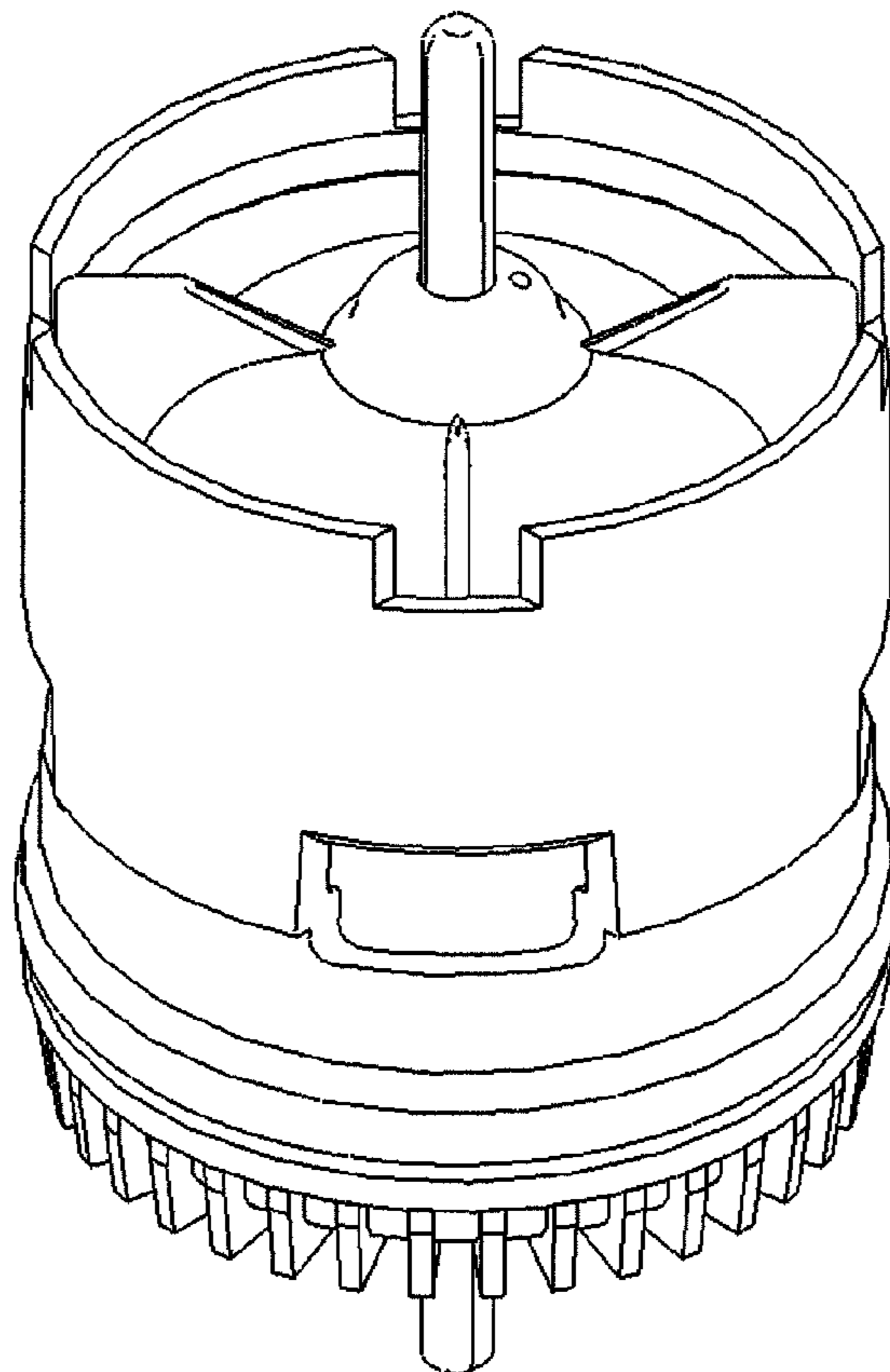
See application file for complete search history.

(56) **References Cited**

U.S. PATENT DOCUMENTS

D325,328 S * 4/1992 Smiley D8/1

1 Claim, 6 Drawing Sheets



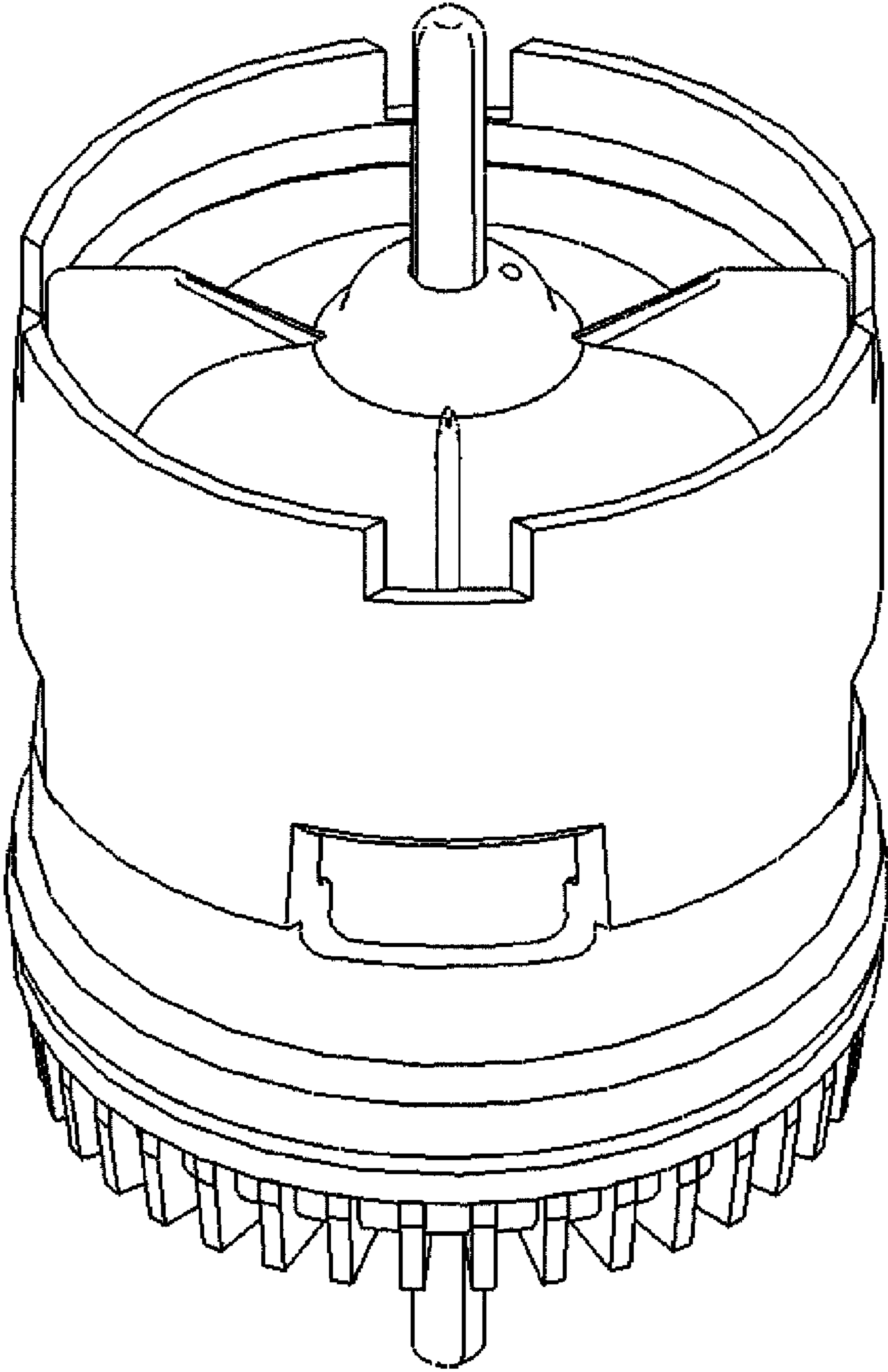


FIG. 1

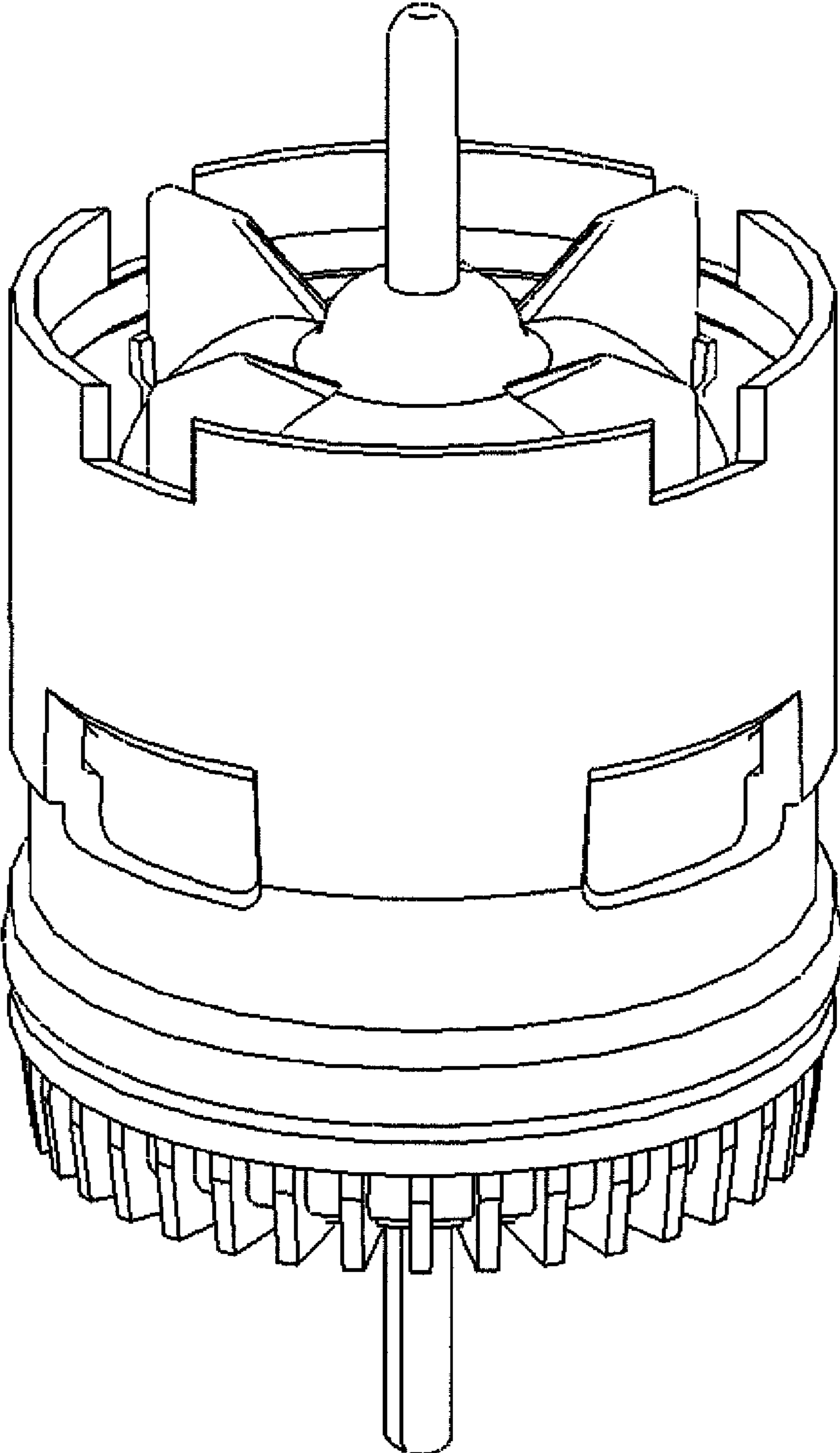


FIG. 2

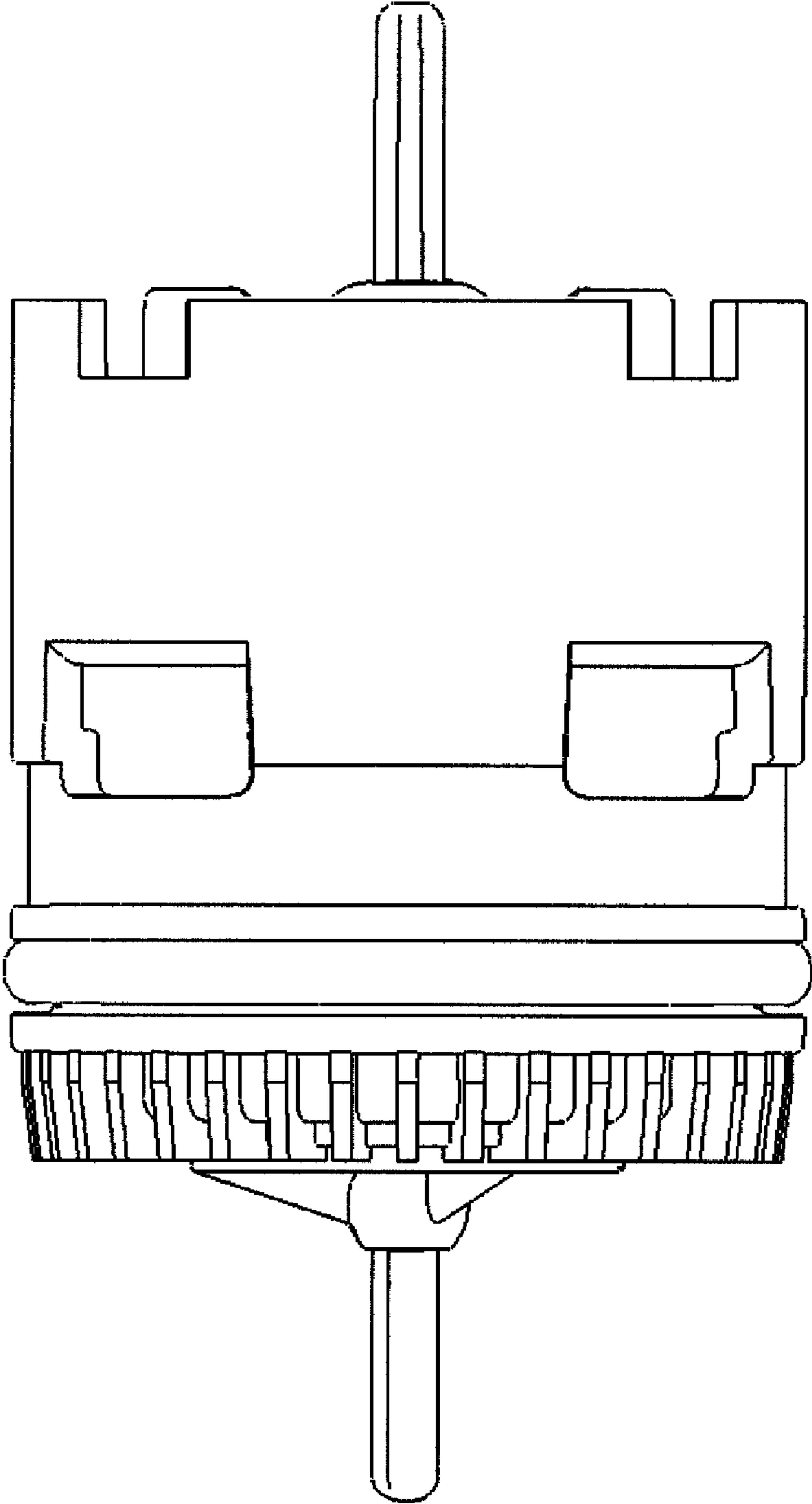


FIG. 3

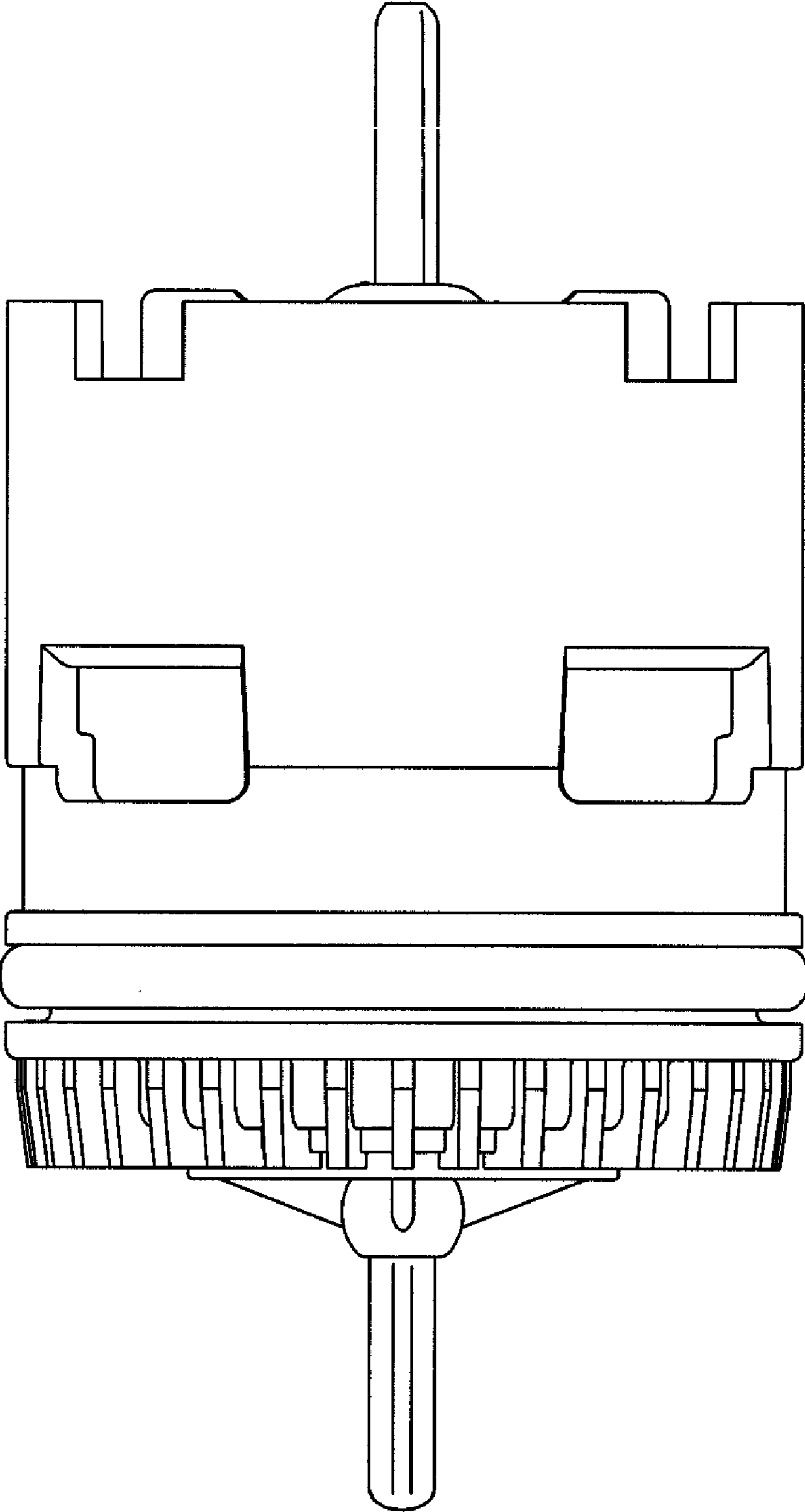


FIG. 4

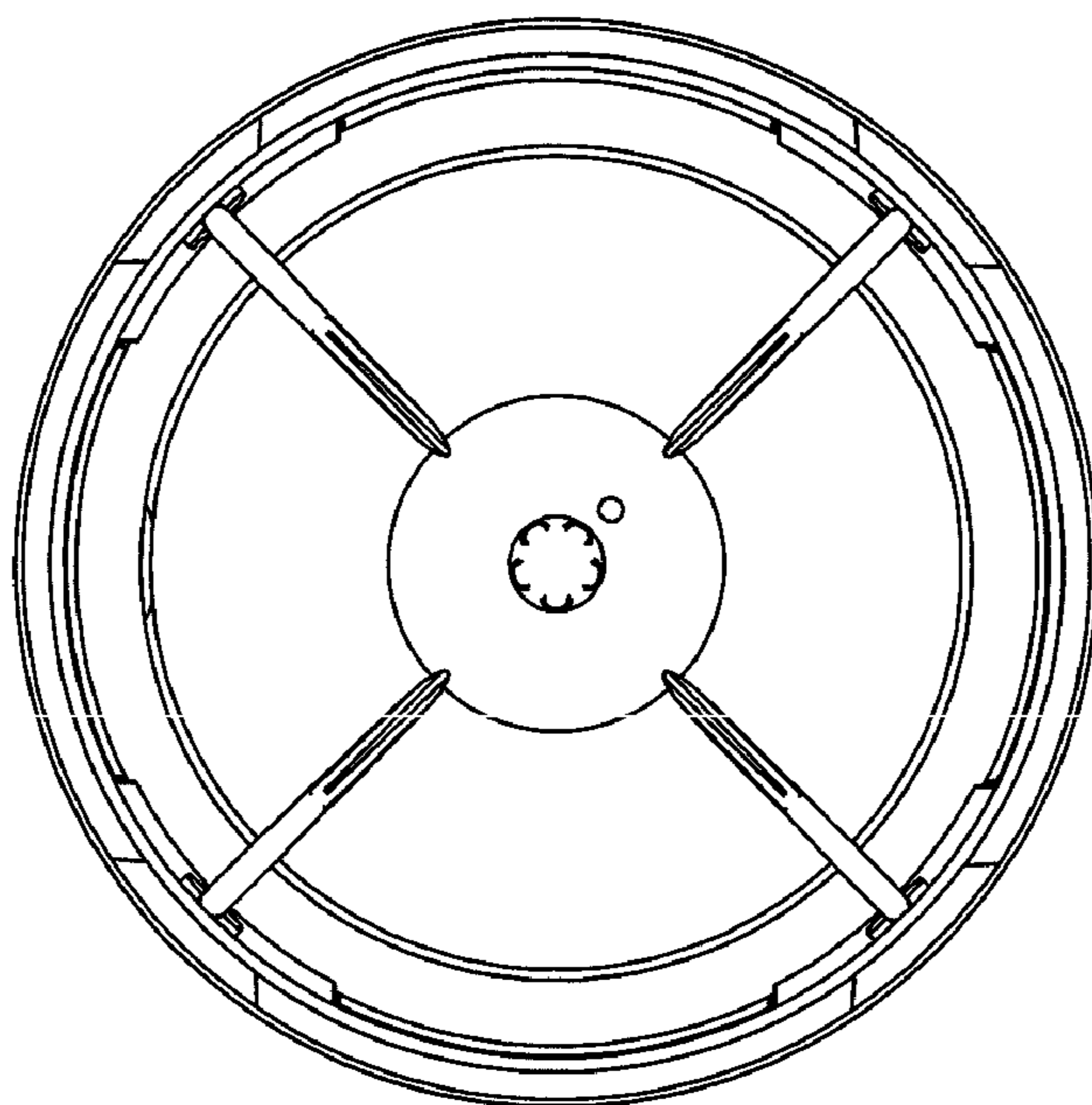


FIG. 5

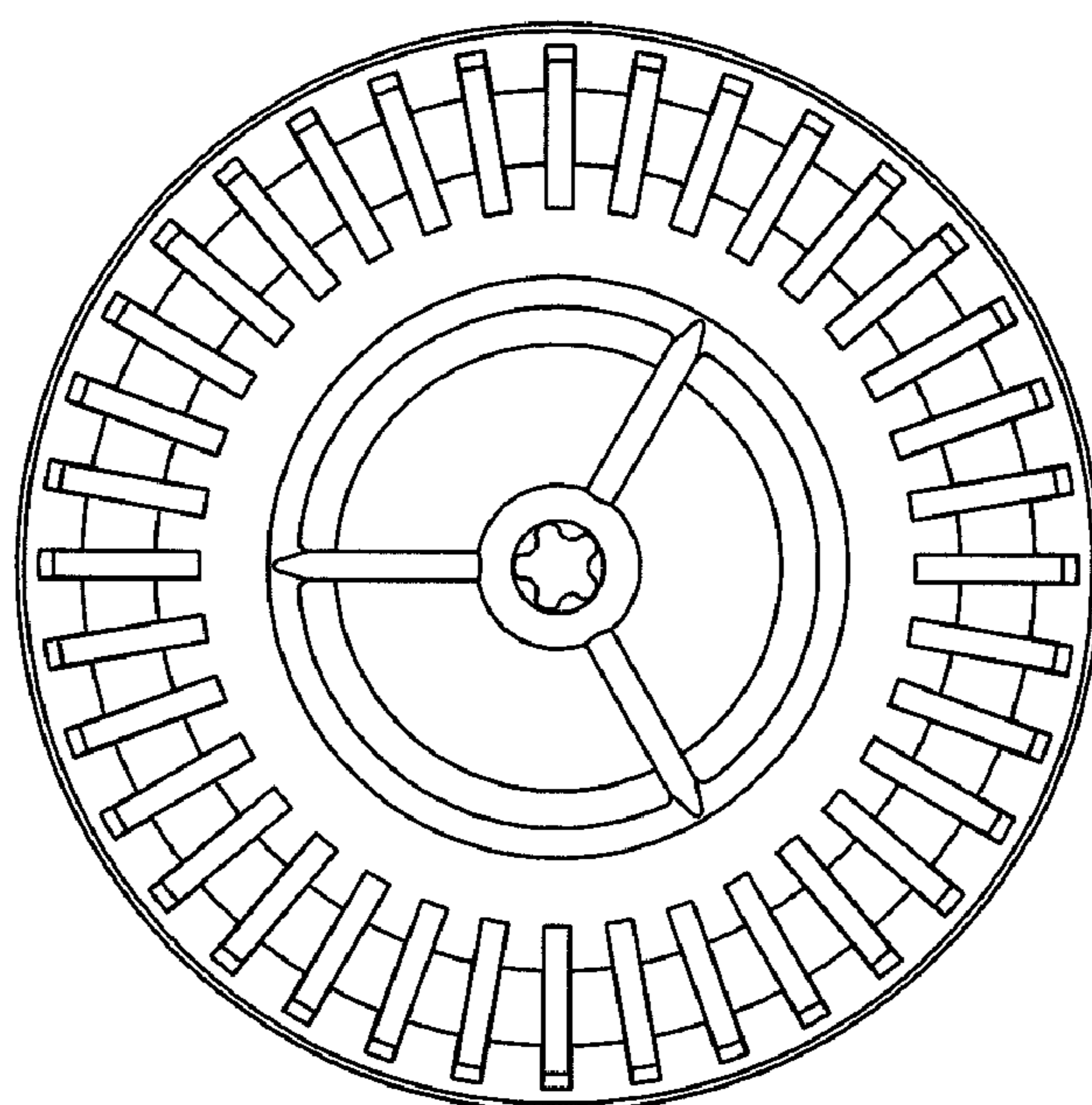


FIG. 6

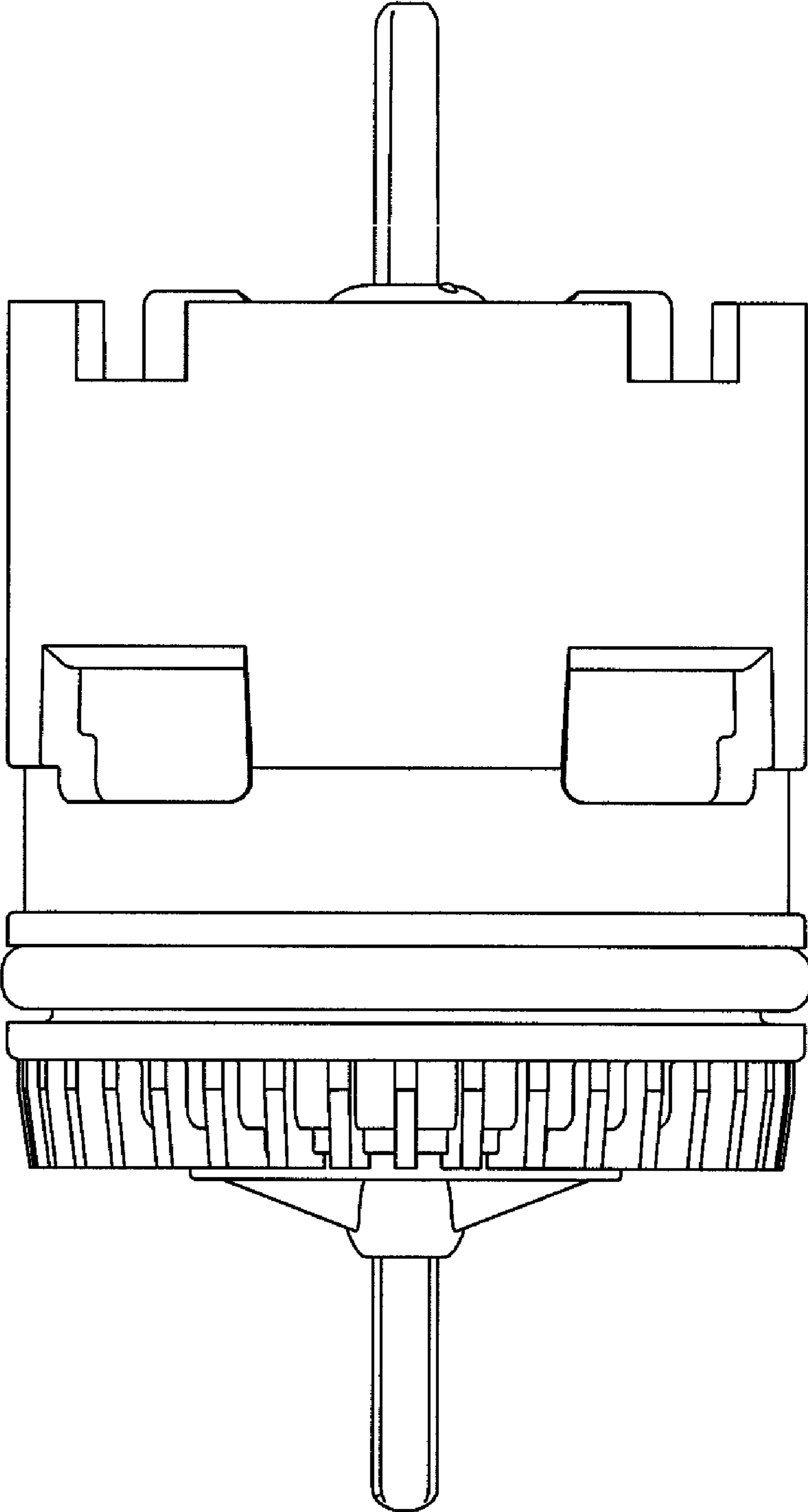


FIG. 7