



US00D630957S

(12) **United States Design Patent**
Hsieh

(10) **Patent No.:** **US D630,957 S**

(45) **Date of Patent:** **** Jan. 18, 2011**

(54) **TORQUE GAUGE**

(76) Inventor: **Wei-Ning Hsieh**, 7F., No. 6, Ln. 40, Yijia St., Taiping City, Taichung County 411 (TW)

(**) Term: **14 Years**

(21) Appl. No.: **29/351,632**

(22) Filed: **Dec. 9, 2009**

(51) **LOC (9) Cl.** **10-04**

(52) **U.S. Cl.** **D10/83**

(58) **Field of Classification Search** D10/83-85;
73/862.12, 862.08, 862.11, 862.17, 862.21,
73/862.23, 862.26, 862.27, 862.29, 862.31,
73/862.37, 862.44, 862.191, 862.192, 862.193,
73/862.324, 862.326, 862.328, 862.329,
73/862.331, 862.332, 862.333, 862.338,
73/862.339, 862.321

See application file for complete search history.

(56) **References Cited**

U.S. PATENT DOCUMENTS

D551,998 S * 10/2007 Hirai et al. D10/85
7,320,254 B1 * 1/2008 Martin 73/862.21

2003/0196497 A1 * 10/2003 Geilenbrugge 73/862.338
2006/0005637 A1 * 1/2006 Hirai et al. 73/862.21
2007/0113680 A1 * 5/2007 Matzoll et al. 73/862.08
2008/0092668 A1 * 4/2008 Searle 73/862.23
2009/0249924 A1 * 10/2009 Lin 81/479

* cited by examiner

Primary Examiner—Antoine D Davis

(74) *Attorney, Agent, or Firm*—Banger Shia

(57) **CLAIM**

I claim the ornamental design for a torque gauge, as shown and described.

DESCRIPTION

FIG. 1 is a perspective view of a torque gauge, showing my new design;

FIG. 2 is a front elevational view thereof;

FIG. 3 is a rear elevational view thereof;

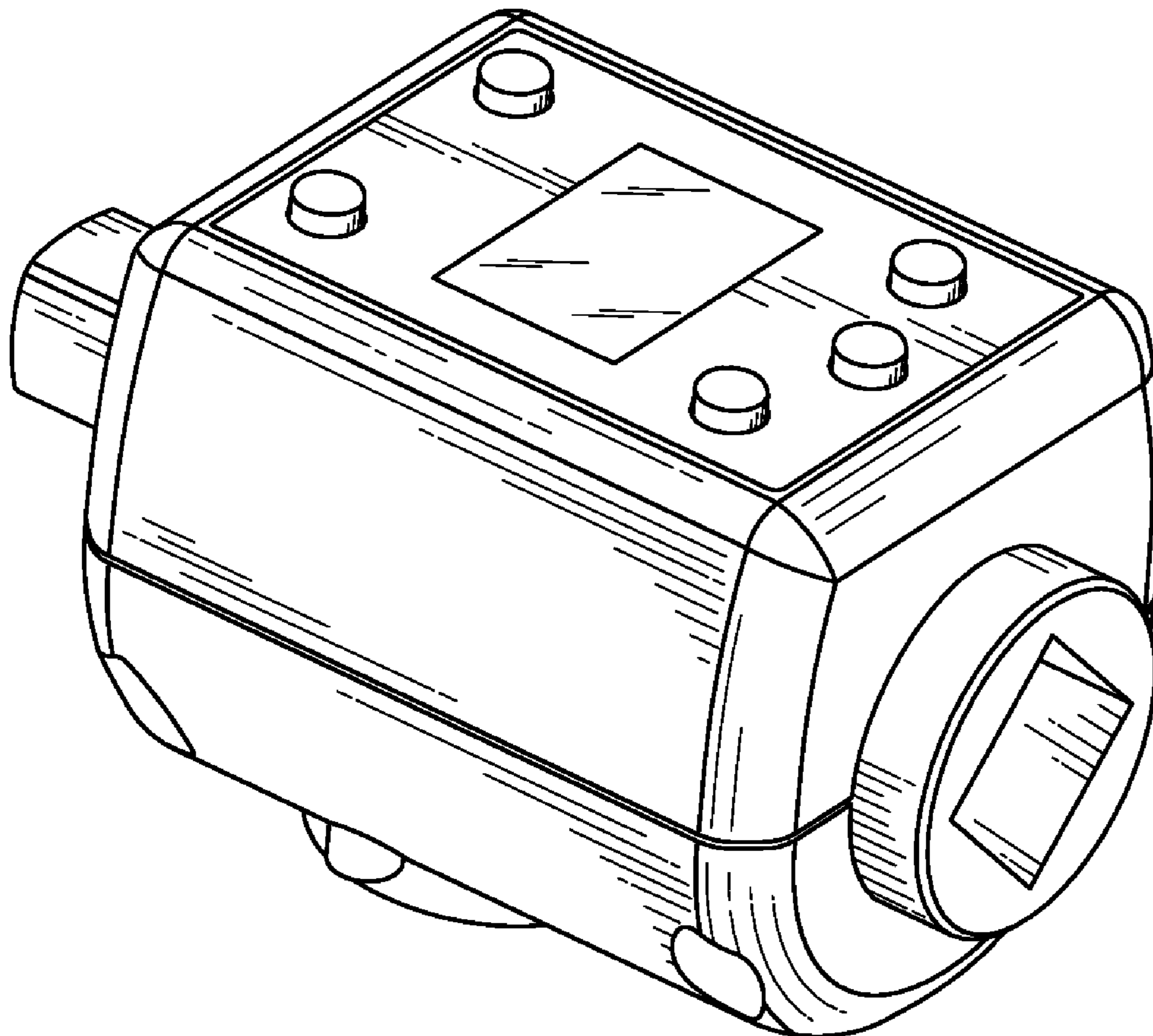
FIG. 4 is a left side elevational view thereof;

FIG. 5 is a right side elevational view thereof;

FIG. 6 is a top plan view thereof; and,

FIG. 7 is a bottom plan view thereof.

1 Claim, 4 Drawing Sheets



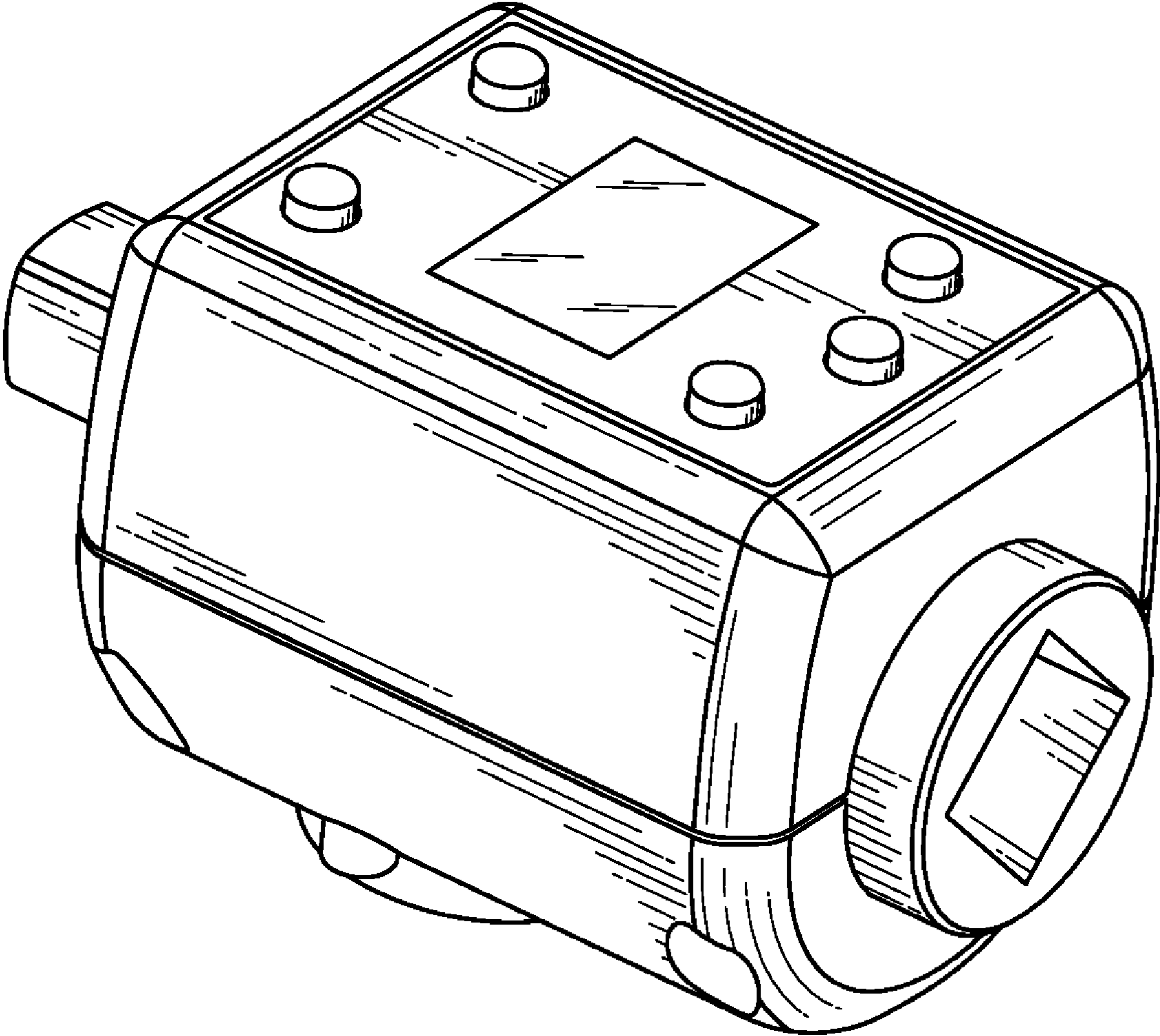


FIG. 1

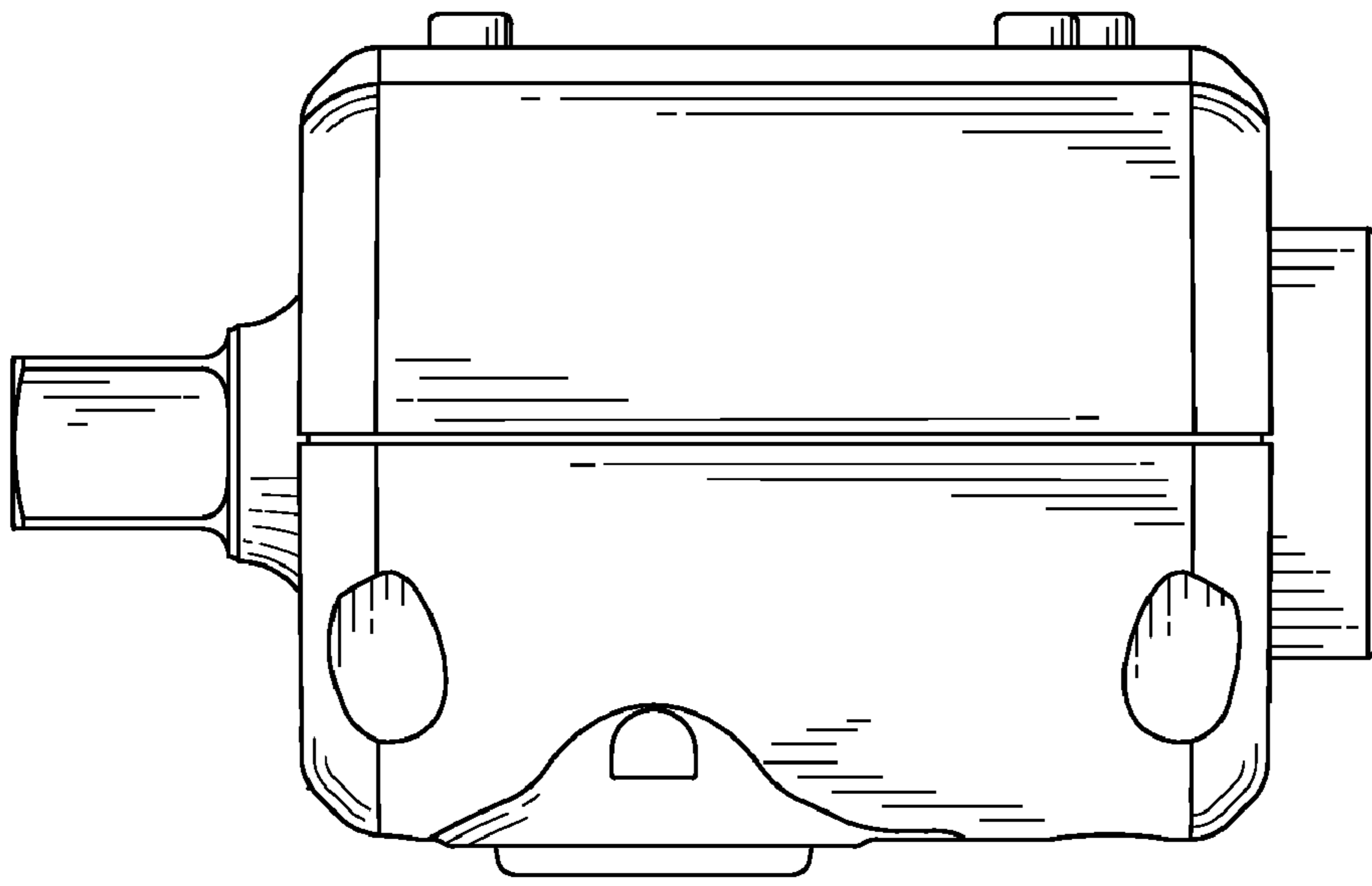


FIG. 2

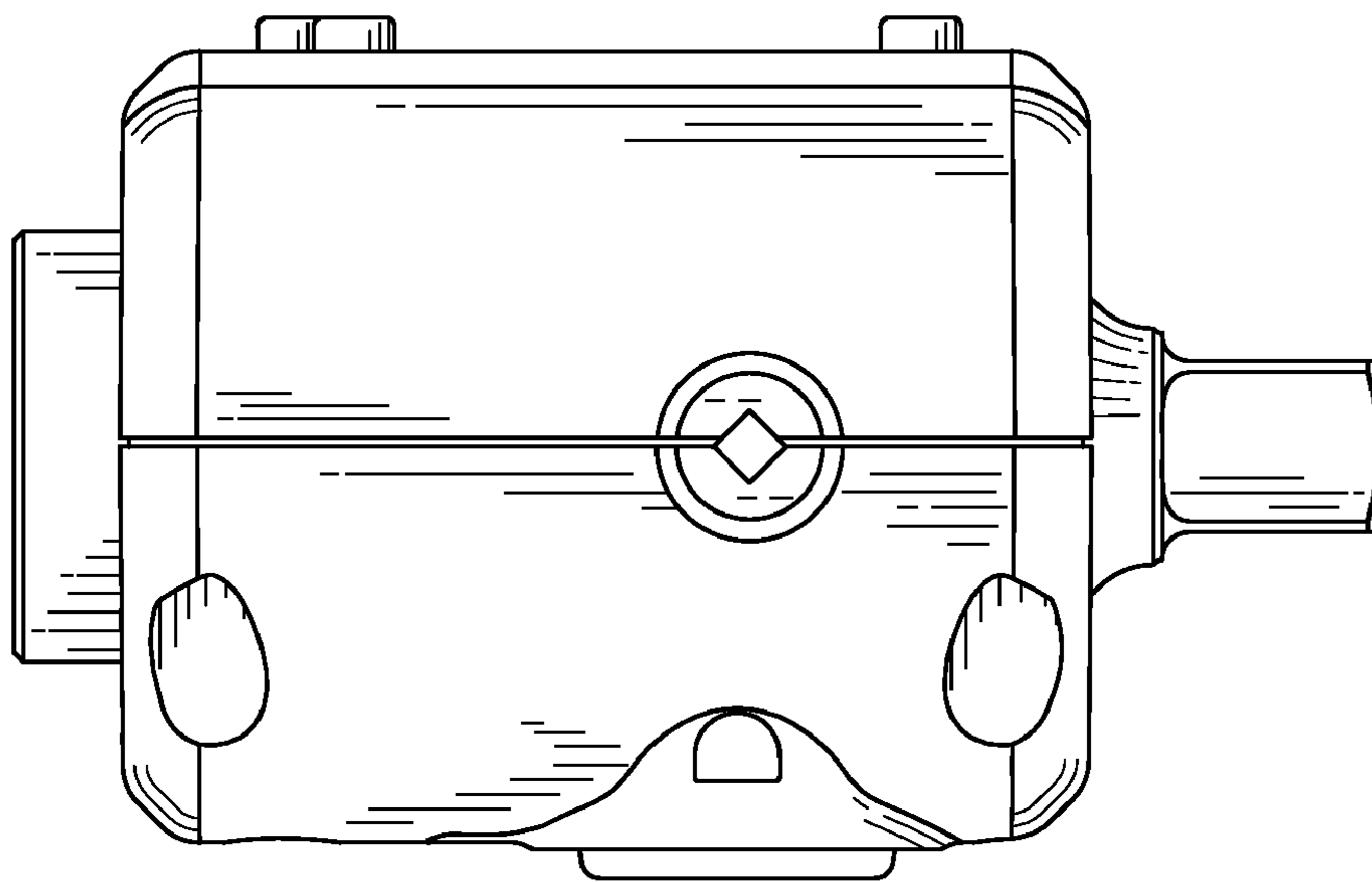


FIG. 3

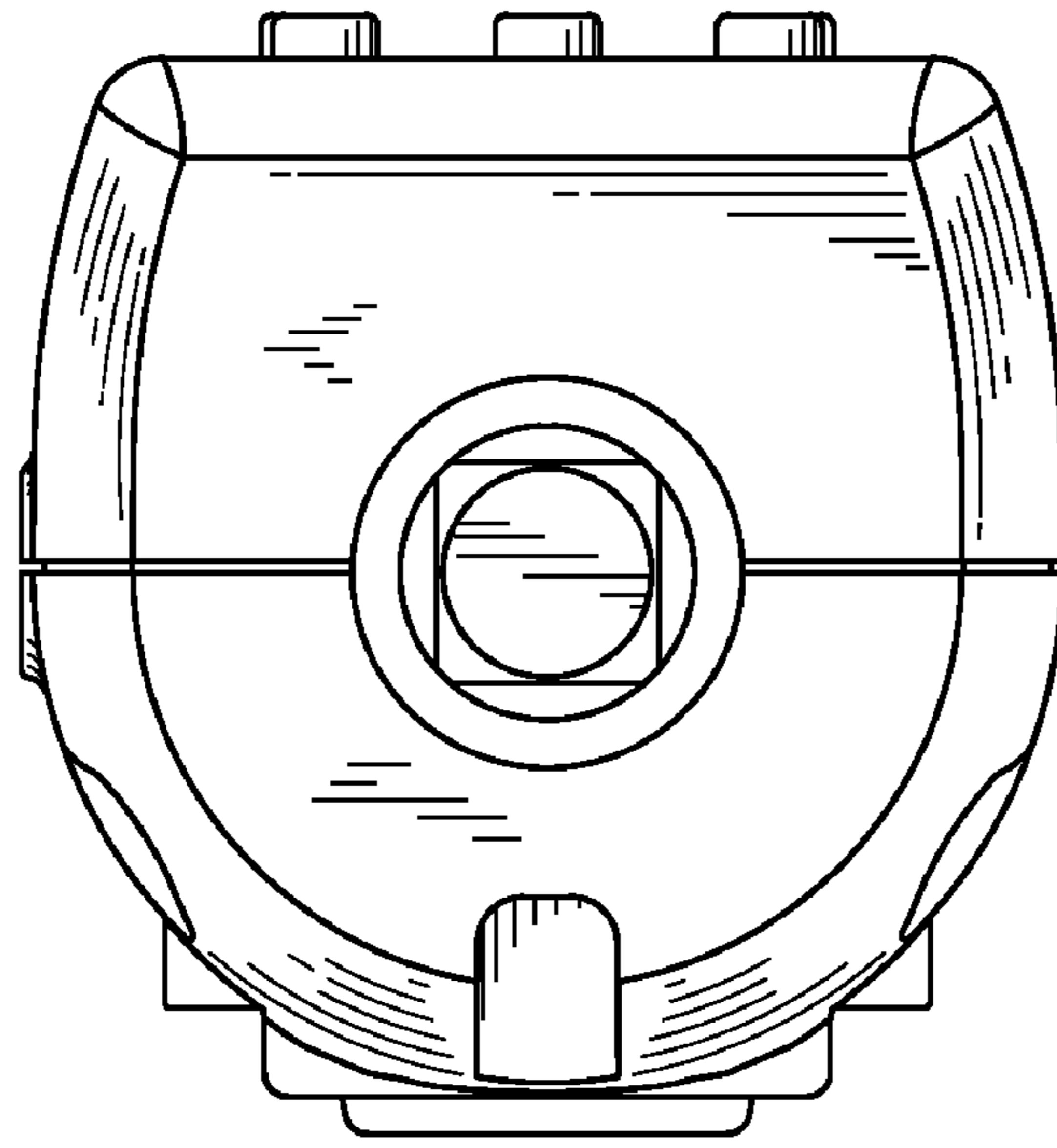


FIG. 4

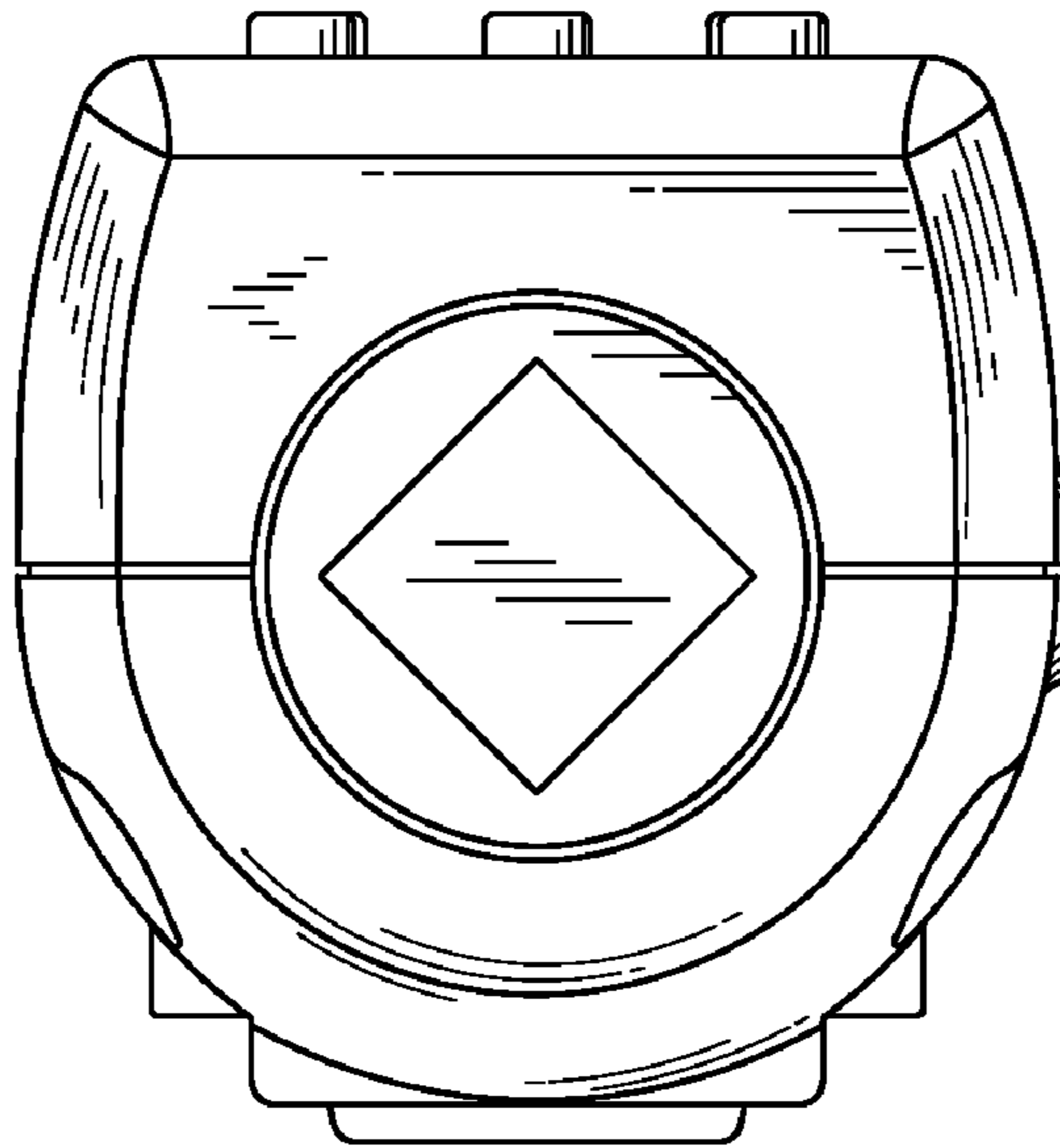


FIG. 5

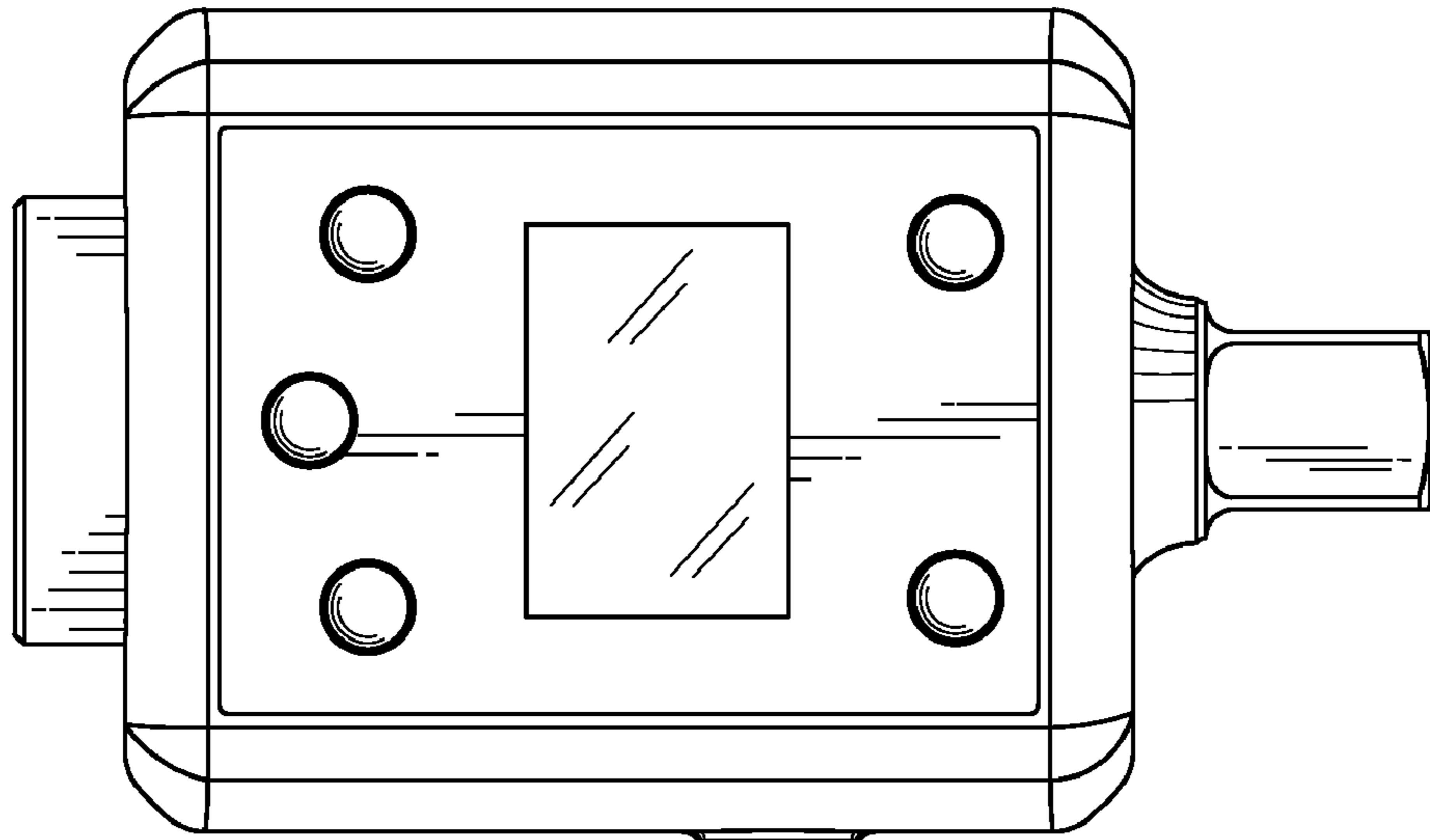


FIG. 6

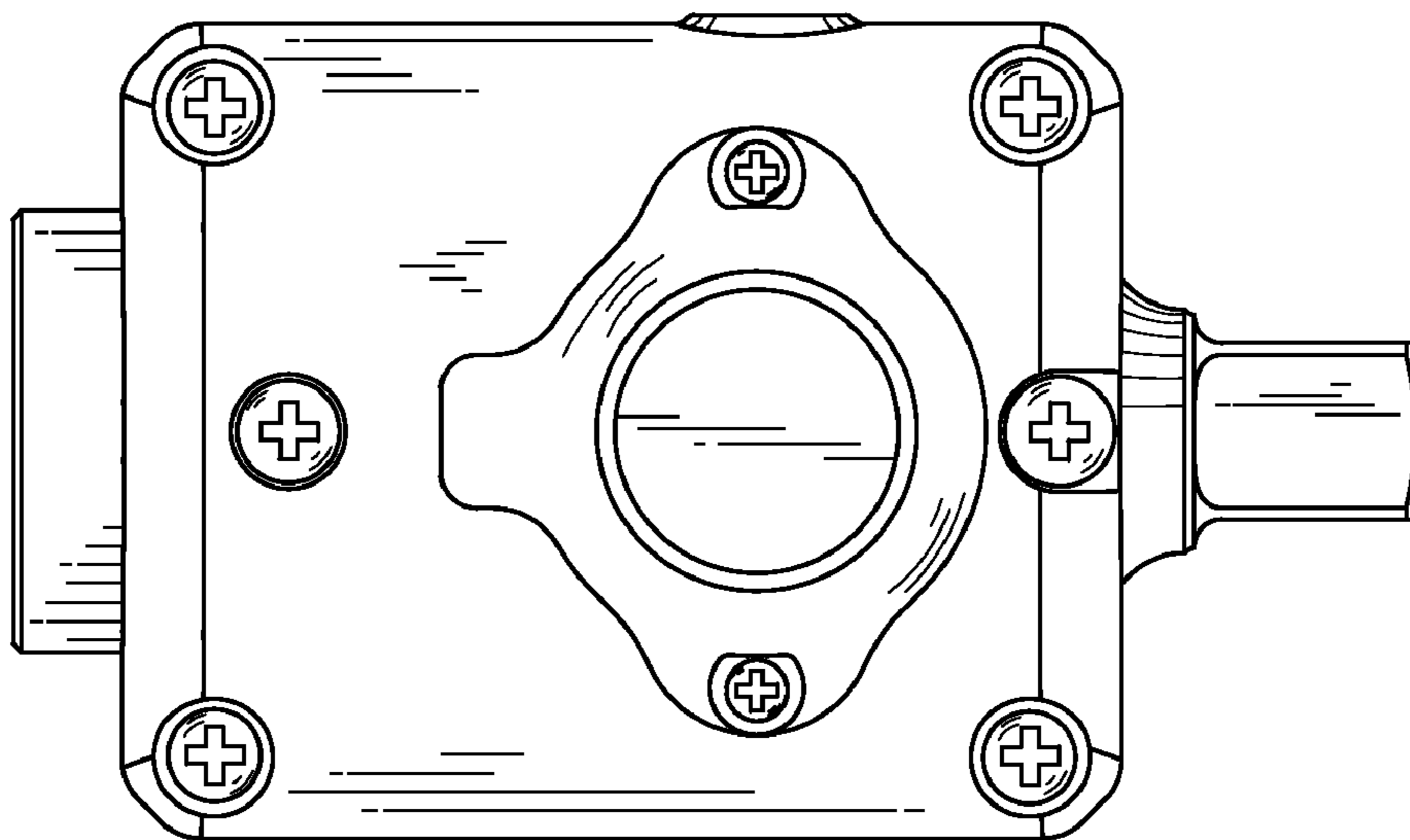


FIG. 7