



US00D630956S

(12) **United States Design Patent**
Wang

(10) **Patent No.:** **US D630,956 S**

(45) **Date of Patent:** **** Jan. 18, 2011**

(54) **TORQUE GAUGE**

7,320,254 B1 * 1/2008 Martin 73/862.21

(76) Inventor: **Chien-Kang Wang**, 7F.-4, No.257,
Sec.3, Dongmen Rd., Tainan City 701
(TW)

* cited by examiner

Primary Examiner—Antoine D Davis
(74) *Attorney, Agent, or Firm*—Banger Shia

(**) Term: **14 Years**

(21) Appl. No.: **29/344,363**

(57) **CLAIM**

(22) Filed: **Sep. 28, 2009**

I claim the ornamental design for a torque gauge, as shown and described.

(51) **LOC (9) Cl.** **10-04**

(52) **U.S. Cl.** **D10/83**

(58) **Field of Classification Search** D10/83-85;
73/862.08, 862.11, 862.17, 862.21, 862.23,
73/862.26, 862.27, 862.29, 862.31, 862.37,
73/862.44, 862.191, 862.192, 862.193, 862.324,
73/862.326, 862.328, 862.329, 862.331,
73/862.332, 862.333, 862.338, 862.339

See application file for complete search history.

DESCRIPTION

FIG. 1 is a perspective view of a torque gauge, showing my new design;

FIG. 2 is a front elevational view thereof;

FIG. 3 is a rear elevational view thereof;

FIG. 4 is a left side elevational view thereof;

FIG. 5 is a right side elevational view thereof;

FIG. 6 is a top plan view thereof; and,

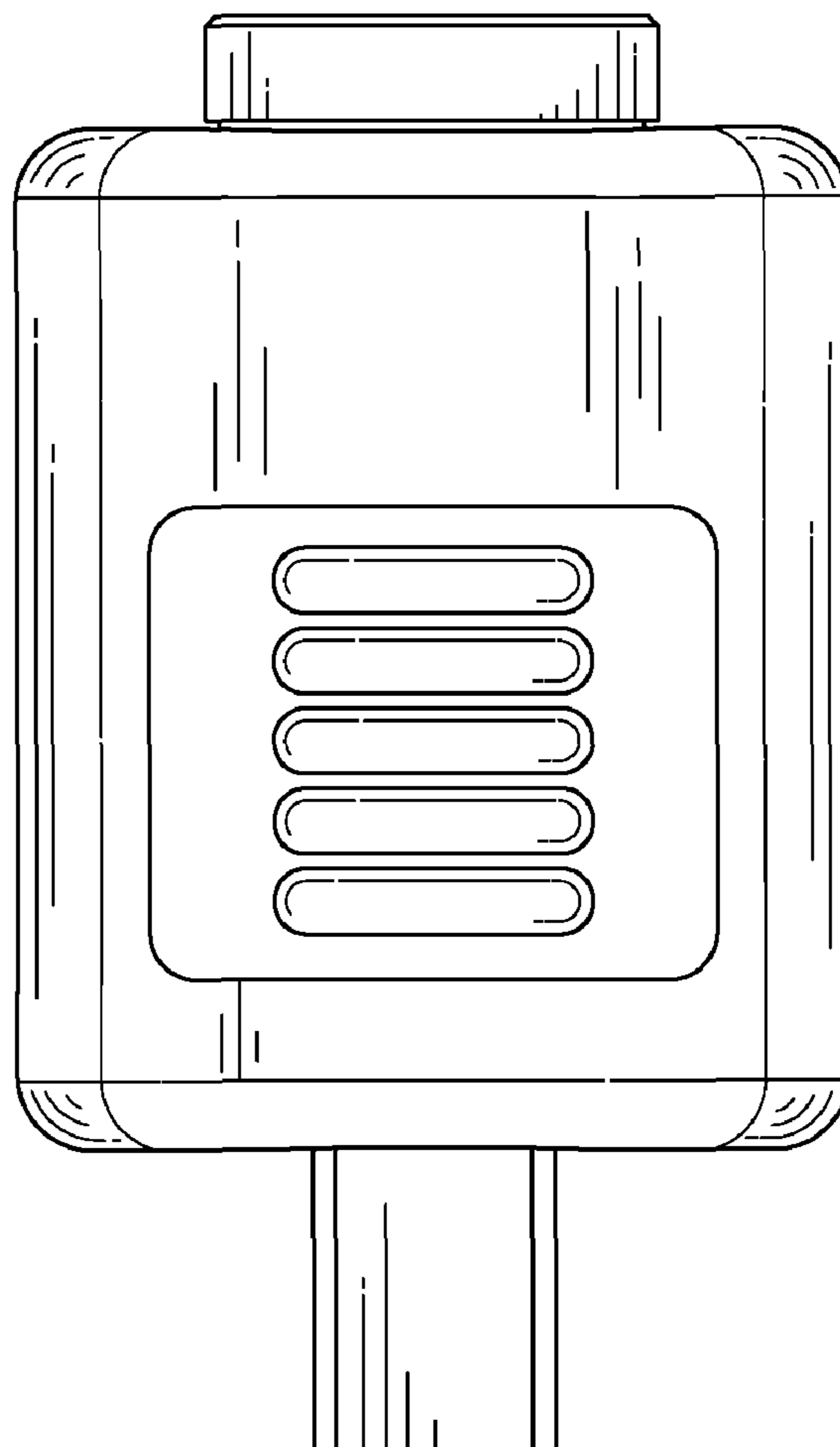
FIG. 7 is a bottom plan view thereof.

(56) **References Cited**

U.S. PATENT DOCUMENTS

D551,998 S * 10/2007 Hirai et al. D10/85
7,275,450 B2 * 10/2007 Hirai et al. 73/862.21

1 Claim, 5 Drawing Sheets



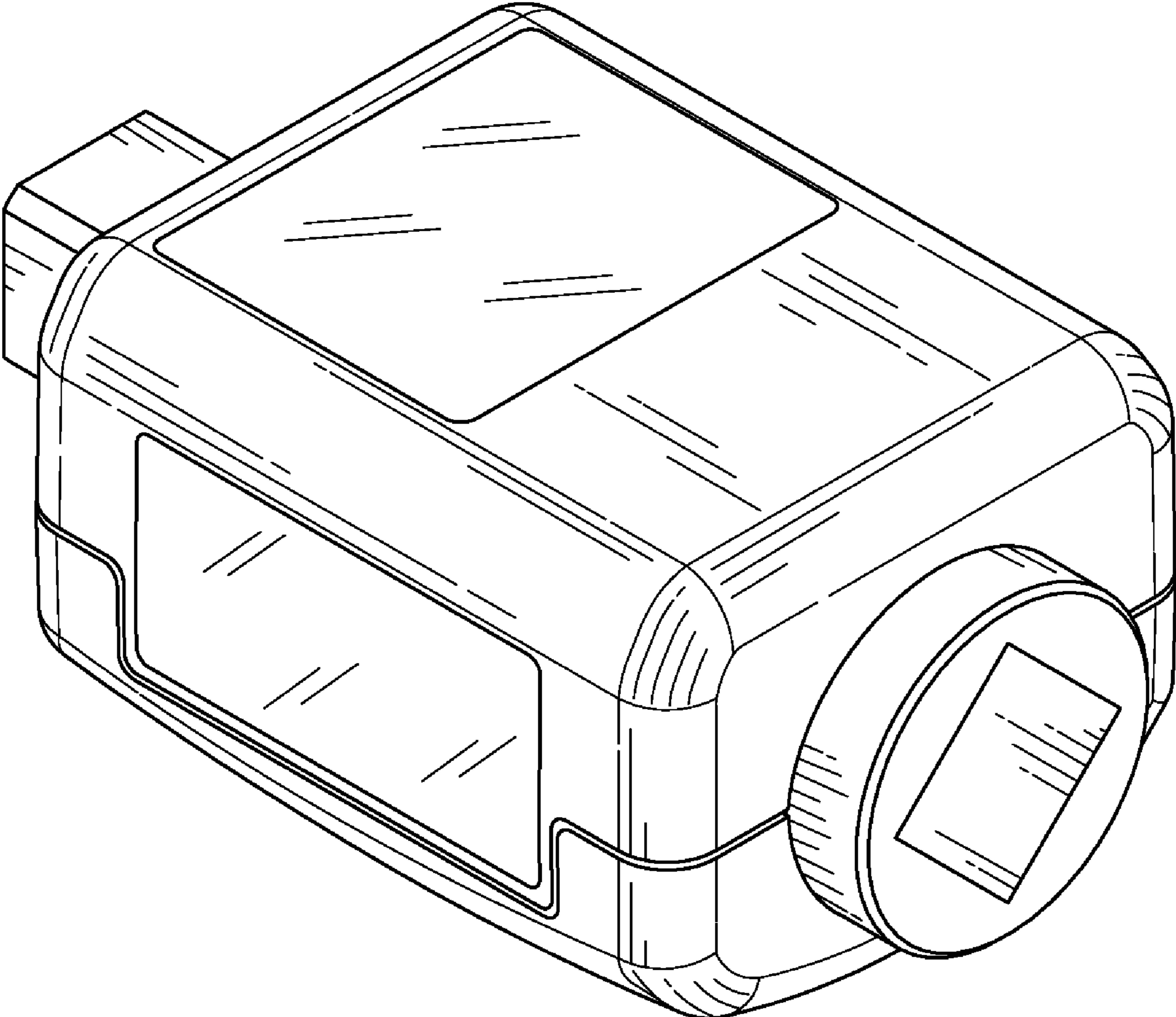


FIG.1

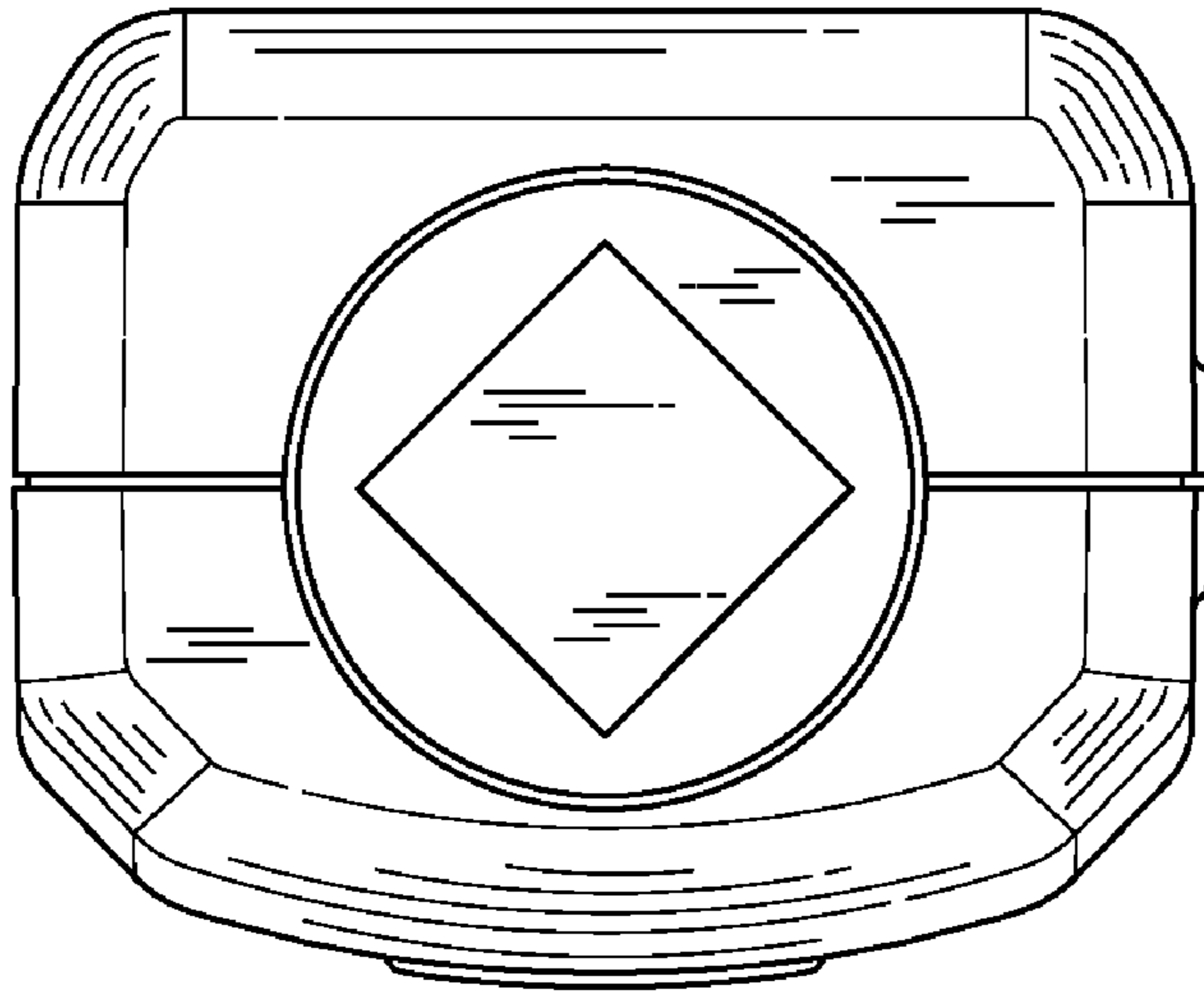


FIG.2

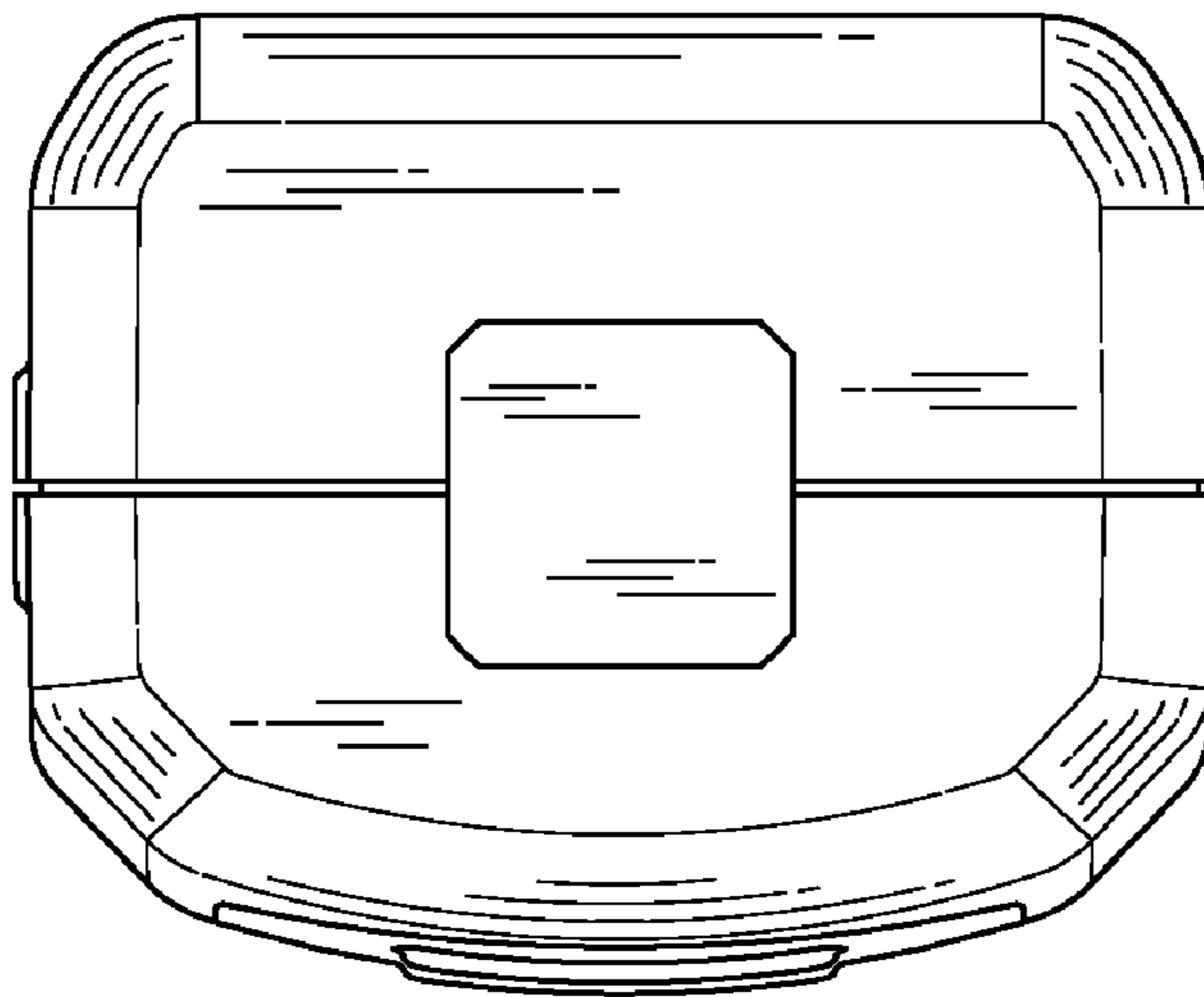


FIG.3

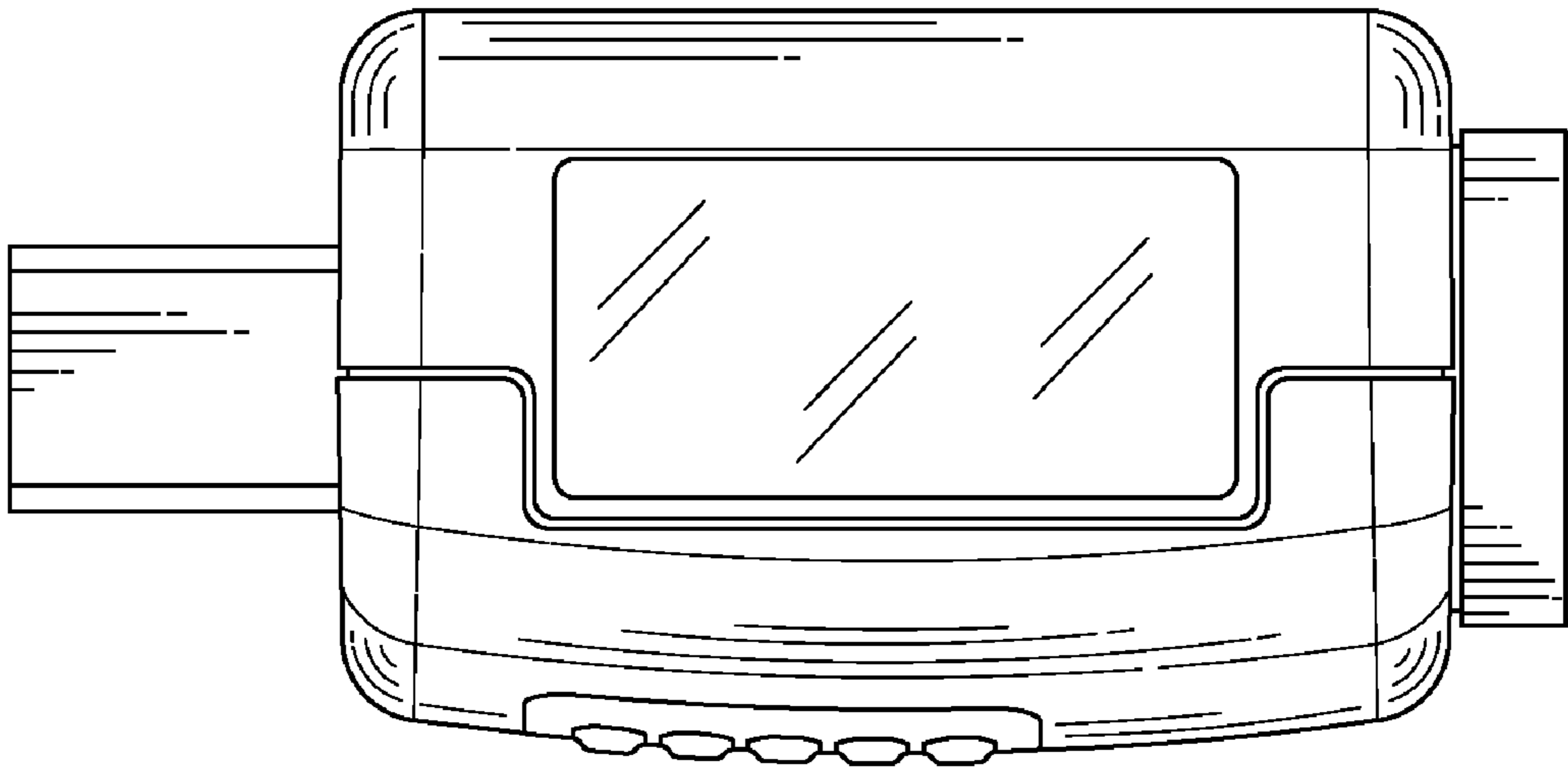


FIG.4

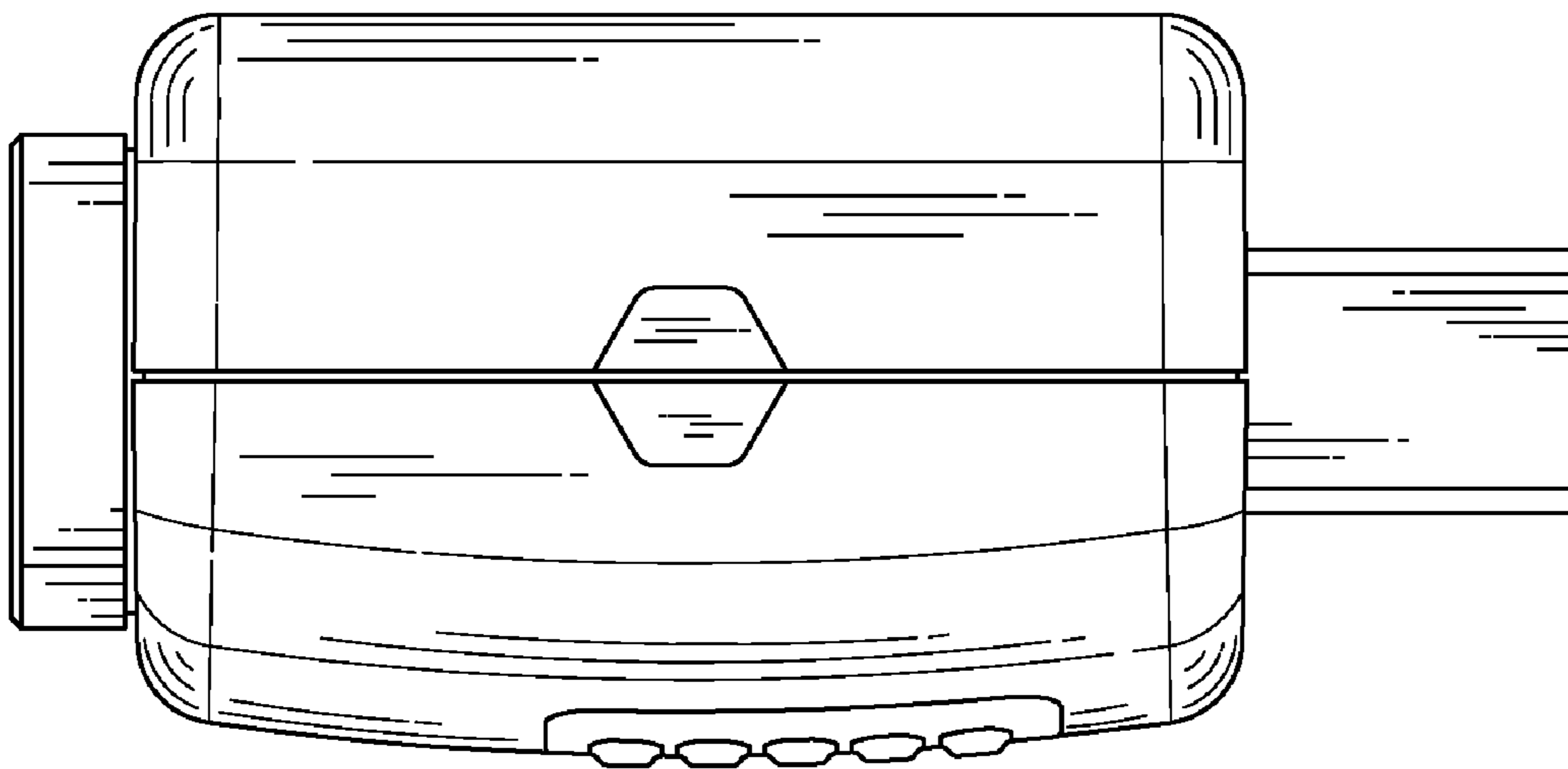


FIG.5

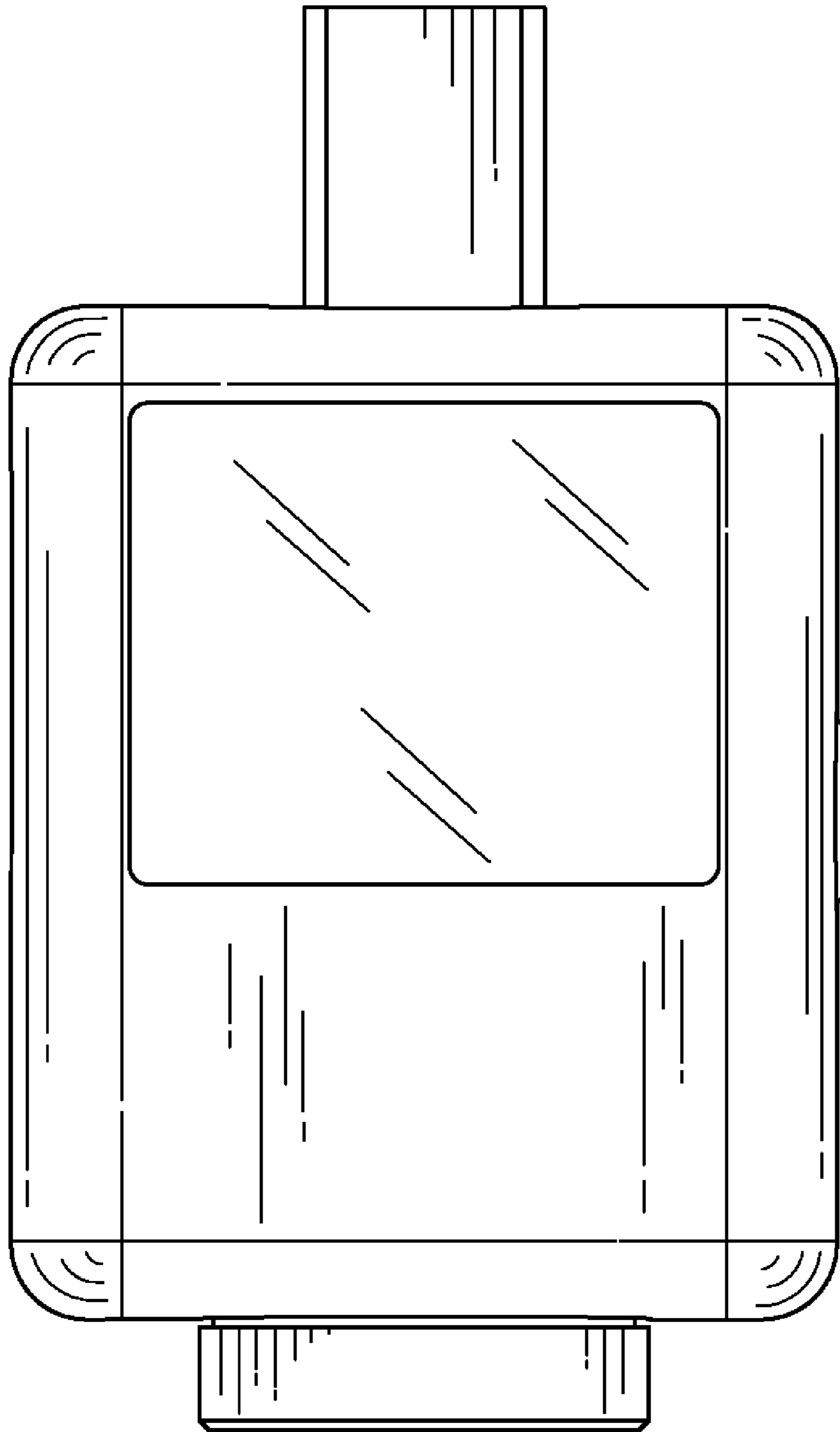


FIG.6

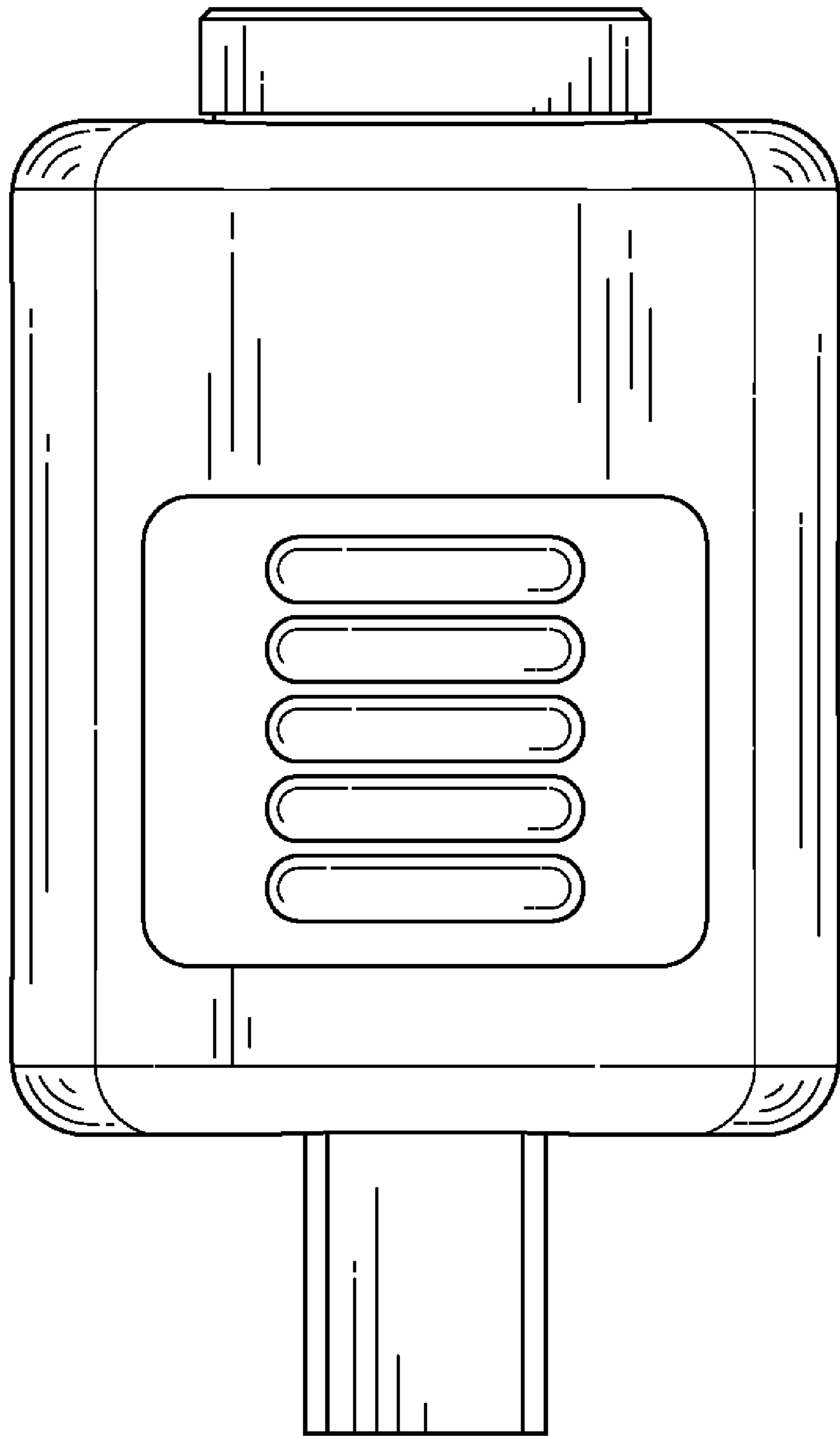


FIG.7