



US00D630954S

(12) **United States Design Patent**  
**Giles**

(10) **Patent No.:** **US D630,954 S**

(45) **Date of Patent:** **\*\* Jan. 18, 2011**

(54) **MEASUREMENT GAUGE**

(76) **Inventor:** **Kelvin Bruce Giles**, 68 Cambridge Road, Langford, Bedfordshire (GB) SG18 9PS

(\*\*) **Term:** **14 Years**

(21) **Appl. No.:** **29/343,635**

(22) **Filed:** **Sep. 16, 2009**

(30) **Foreign Application Priority Data**

Jul. 14, 2009 (EP) ..... 001152516

(51) **LOC (9) Cl.** ..... **10-04**

(52) **U.S. Cl.** ..... **D10/65**

(58) **Field of Classification Search** ..... D10/65;  
33/451-458, 534-538, 279

See application file for complete search history.

(56) **References Cited**

**U.S. PATENT DOCUMENTS**

2,920,392	A *	1/1960	Stromquist	.....	33/534
2,959,861	A *	11/1960	Stromquist	.....	33/534
3,535,788	A *	10/1970	Sena	.....	33/457
4,736,524	A *	4/1988	King	.....	33/451
D363,238	S *	10/1995	Gilstrap	.....	D10/65

D405,706	S *	2/1999	Baggett	.....	D10/65
6,536,124	B1 *	3/2003	Eskew et al.	.....	33/538
D568,184	S *	5/2008	Rogell	.....	D10/65

\* cited by examiner

*Primary Examiner*—Antoine D Davis

(74) *Attorney, Agent, or Firm*—Downs Rachlin Martin PLLC

(57) **CLAIM**

I claim the ornamental design for a measurement gauge, as shown and described.

**DESCRIPTION**

FIG. 1 is a perspective view of a measurement gauge;

FIG. 2 is a side view of the measurement gauge;

FIG. 3 is an end view of one end of the measurement gauge;

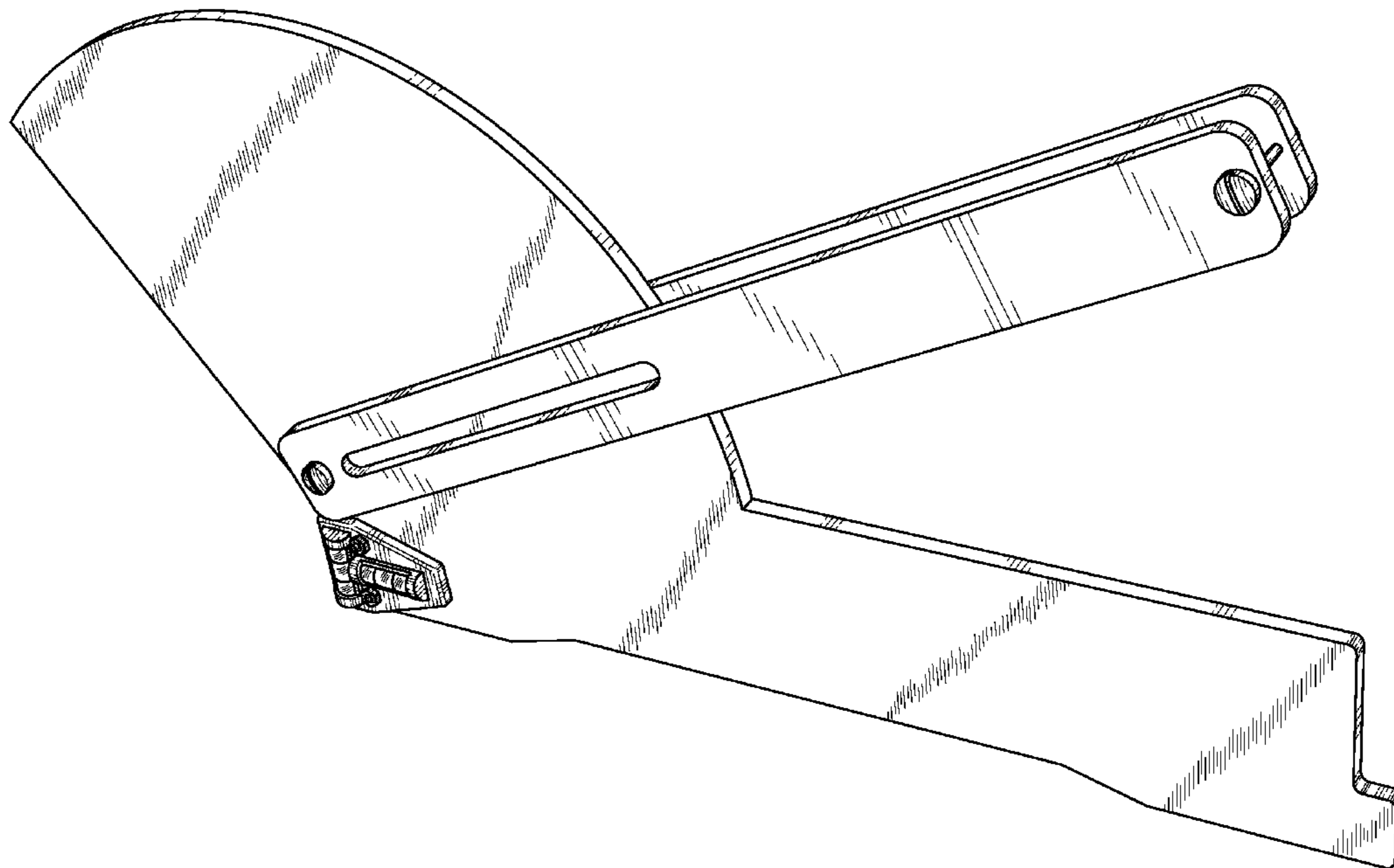
FIG. 4 is an end view of an opposite end of the measurement gauge;

FIG. 5 is a bottom view of the measurement gauge; and,

FIG. 6 is a top view of the measurement gauge.

Line shading and stippling are used in the drawings to enhance depiction of the design, but do not form part of the design per se.

**1 Claim, 4 Drawing Sheets**



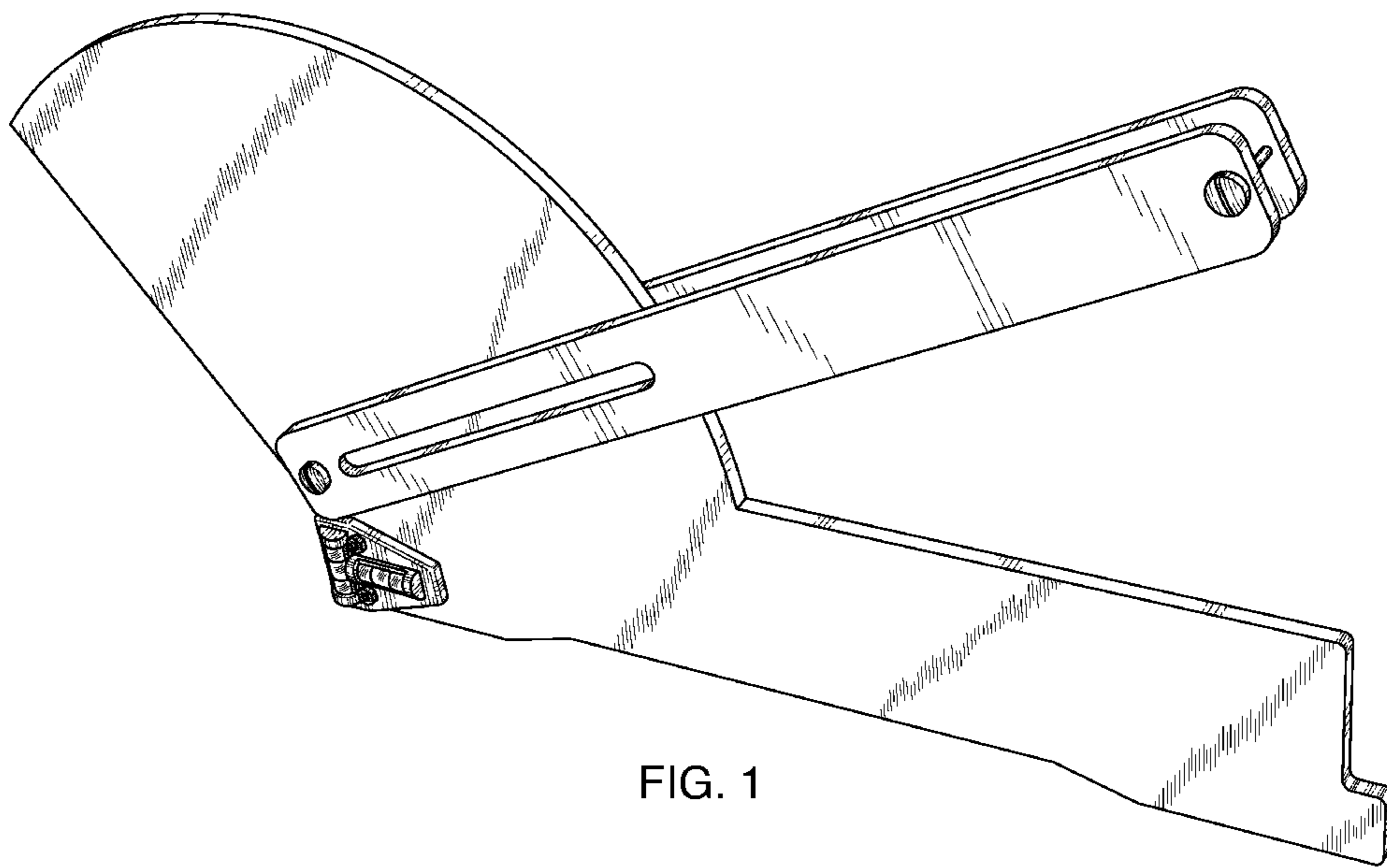


FIG. 1

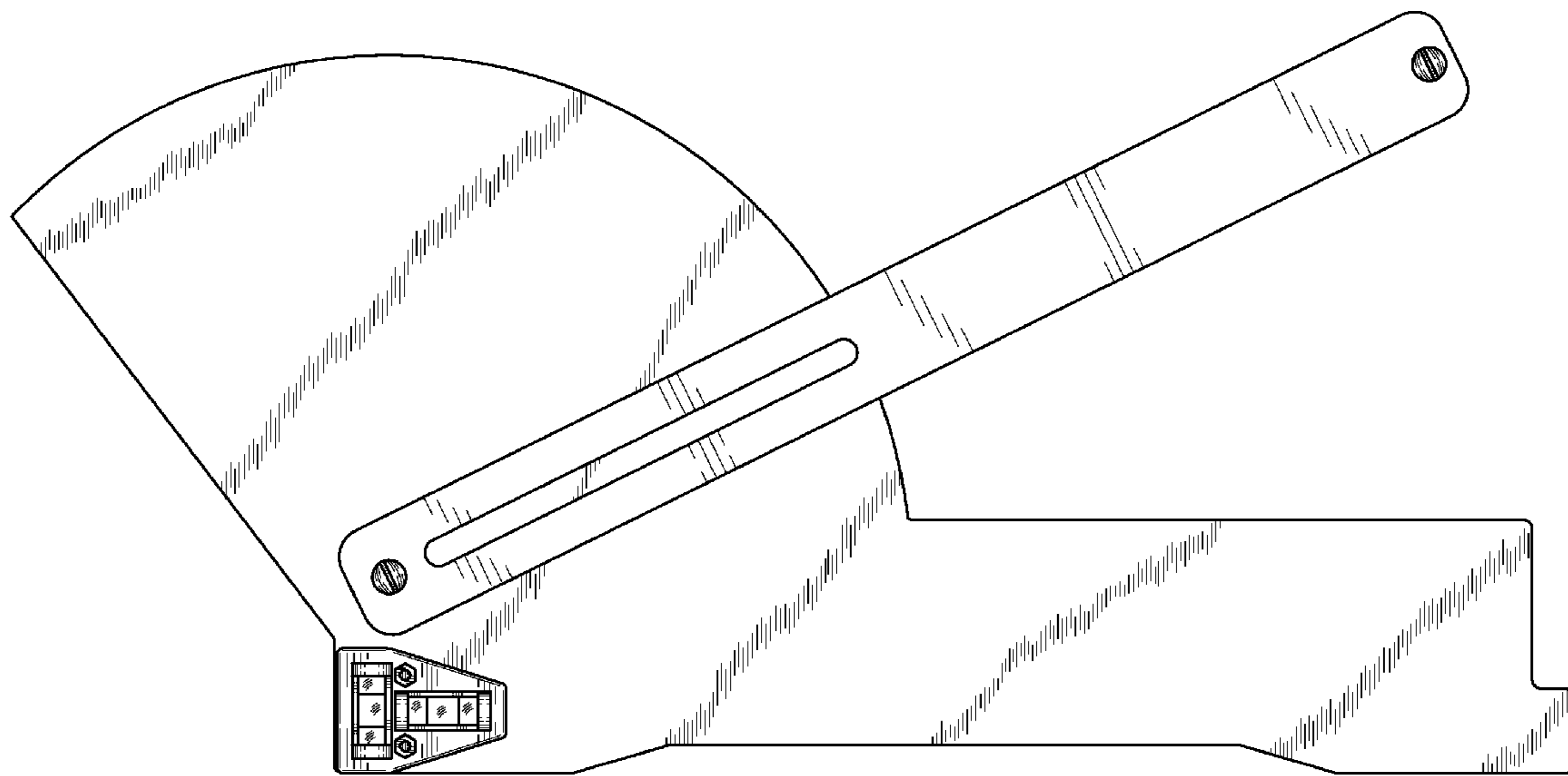


FIG. 2

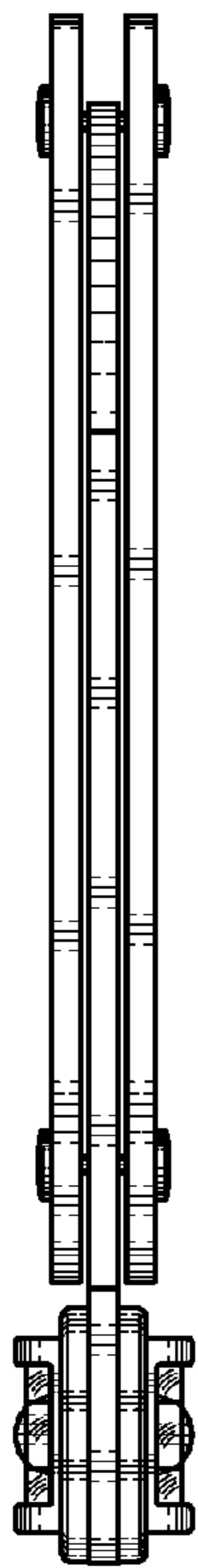


FIG. 3

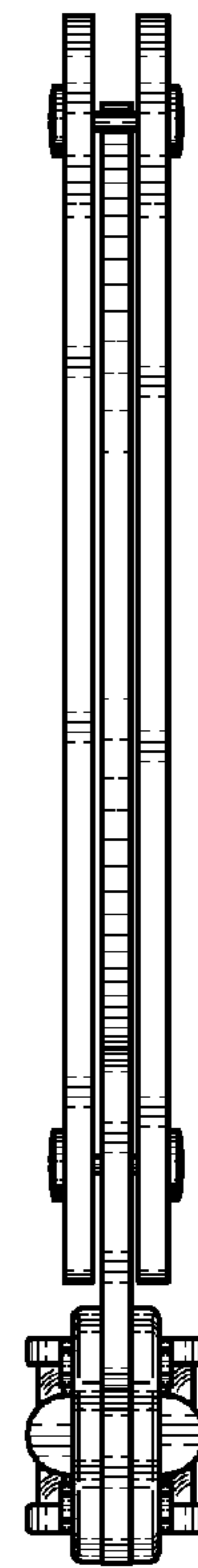


FIG. 4

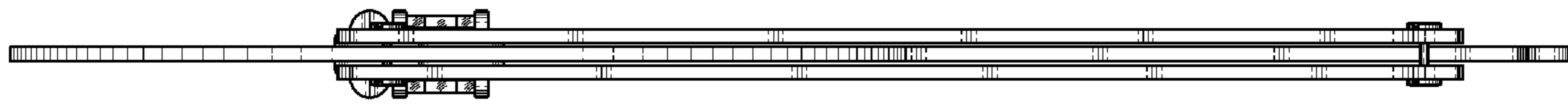


FIG. 5

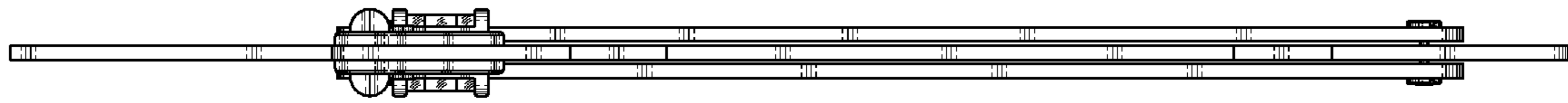


FIG. 6