



US00D630945S

(12) **United States Design Patent**
Wehrmann

(10) **Patent No.:** **US D630,945 S**
(45) **Date of Patent:** **** Jan. 18, 2011**

(54) **INFLATABLE PACKING MATERIAL**

Applicant's SP machines is disclosed by U.S. Patent Nos. 4,969,310; 5,743,070; 5,944,424; 5,722,218; and 6,035,611.

(75) Inventor: **Rick Steven Wehrmann**, Hudson, OH (US)

(Continued)

(73) Assignee: **Automated Packaging Systems, Inc.**, Streetsboro, OH (US)

Primary Examiner—Susan Bennett Hattan
(74) *Attorney, Agent, or Firm*—Calfee Halter & Griswold LLP

(**) Term: **14 Years**

(57) **CLAIM**

(21) Appl. No.: **29/346,902**

The ornamental design for an inflatable packing material, as shown and described.

(22) Filed: **Nov. 9, 2009**

Related U.S. Application Data

(63) Continuation of application No. 29/332,921, filed on Feb. 27, 2009, now Pat. No. Des. 603,705.

DESCRIPTION

(51) **LOC (9) Cl.** **09-07**

FIG. 1 is an isometric view of an an inflatable packing material showing the new design;

(52) **U.S. Cl.** **D9/456**

FIG. 2 is a top plan view of the inflatable packing material of FIG. 1;

(58) **Field of Classification Search** D9/705, D9/635, 520, 517, 516, 456, 455, 454, 452, D9/444, 445, 438, 436, 435, 434, 433, 432, D9/416, 499; D26/51; 428/138; 362/101; 229/404, 128, 110, 103.3; 220/630; 206/776, 206/755, 754, 583, 522, 453, 390, 232
See application file for complete search history.

FIG. 3 is an isometric view of the inflatable packing material in a second condition of use where it is inflated and is sealed along a seal line;

(56) **References Cited**

FIG. 4 is a back view of inflatable packing material of FIG. 3;

U.S. PATENT DOCUMENTS

3,033,257 A 5/1962 Weber

(Continued)

FIG. 5 is a front view of inflatable packing material of FIG. 3

FOREIGN PATENT DOCUMENTS

CA 2428246 9/2002

(Continued)

FIG. 6 is top plan view of the inflatable packing material of FIG. 3;

OTHER PUBLICATIONS

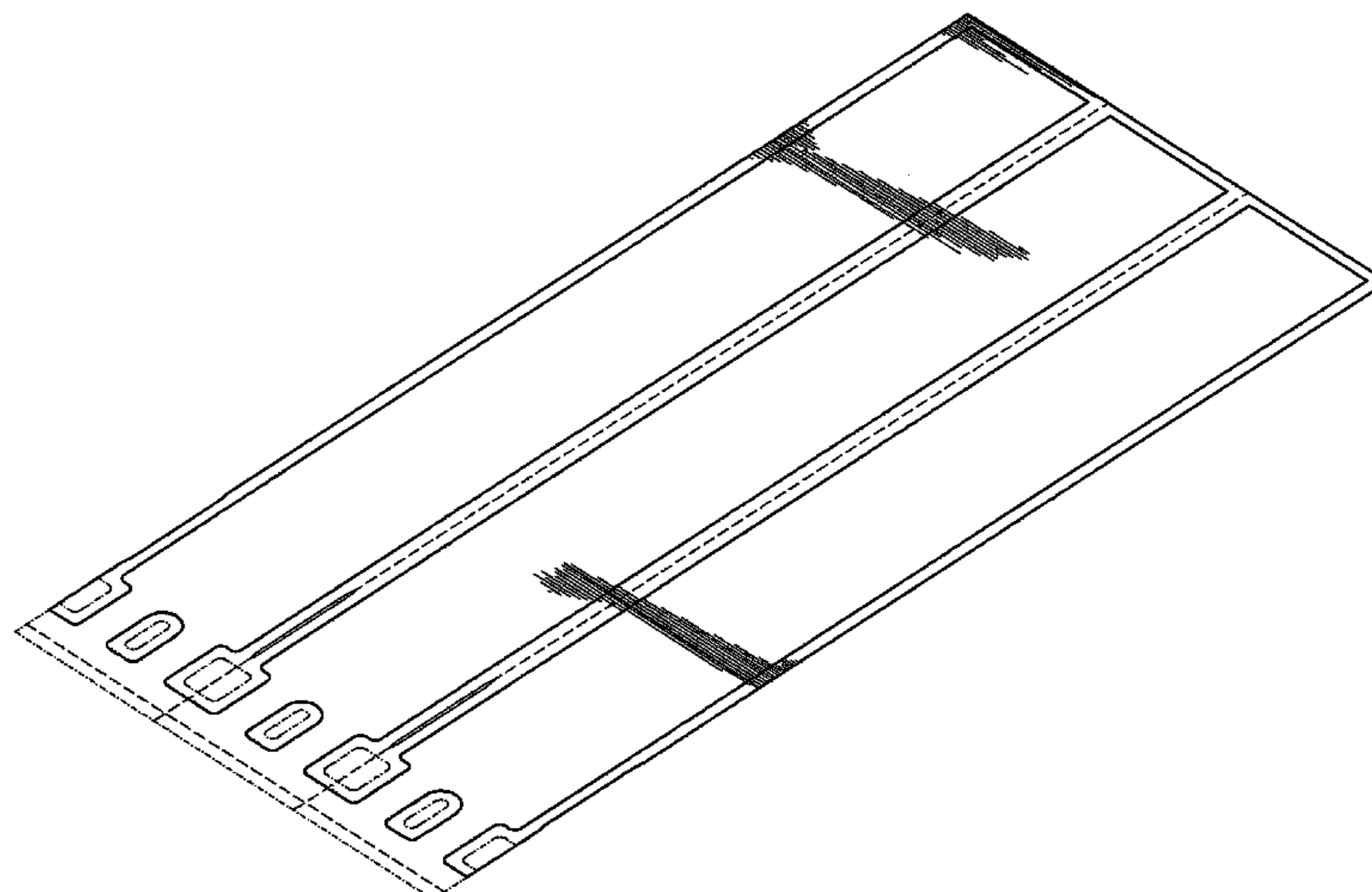
One page drawing, Goody Bag 1, illustrates a web of pre-formed bags sold by Applicant for use in Applicant's SP machines more than one year prior to the priority date of the present application. Operation of

FIG. 7 is a right side view of the inflatable packing material of FIG. 3 the left being a mirror image of the right; and,

FIG. 8 is a bottom plan view of the inflatable packing material of FIG. 3.

In FIGS. 1, 3, 6, and 8, the evenly spaced dashed lines illustrate perforations of the inflatable packing material. In FIGS. 1-3 and 5-8, the dotted and dashed lines depict environmental subject matter only and form no part of the claimed design.

1 Claim, 5 Drawing Sheets



US D630,945 S

U.S. PATENT DOCUMENTS				
		5,181,614 A	1/1993	Watts
		5,188,691 A	2/1993	Caputo
		5,203,761 A	4/1993	Reichental et al.
		5,210,993 A	5/1993	van Boxtel
		5,216,868 A	6/1993	Cooper et al.
		5,257,492 A	11/1993	Watts
		5,272,856 A	12/1993	Pharo
		5,289,671 A	3/1994	Lerner et al.
		5,307,969 A	5/1994	Menendez
		5,340,632 A	8/1994	Chappuis
		5,351,828 A	10/1994	Becker et al.
		5,383,837 A	1/1995	Watts
		5,394,676 A	3/1995	Lerner
		5,454,642 A	10/1995	De Luca
		5,468,525 A	11/1995	Watts
		5,470,300 A	11/1995	Terranova
		5,552,003 A	9/1996	Hoover et al.
		5,651,237 A	7/1997	De Luca
		5,693,163 A	12/1997	Hoover et al.
		5,699,653 A	12/1997	Hartman et al.
		5,733,045 A	3/1998	Jostler et al.
		5,755,328 A	5/1998	DeLuca
		5,810,200 A	9/1998	Trokhan
		5,824,392 A	10/1998	Gotoh et al.
		5,921,390 A	7/1999	Simhaee
		RE36,501 E	1/2000	Hoover et al.
		6,015,047 A	1/2000	Greenland
		6,015,357 A	1/2000	Rizza
		RE36,759 E	7/2000	Hoover et al.
		6,116,000 A	9/2000	Perkins et al.
		6,199,349 B1	3/2001	Lerner
		6,209,286 B1	4/2001	Perkins
		6,213,167 B1	4/2001	Greenland
		6,282,716 B1	9/2001	Patterson et al.
		6,367,975 B1	4/2002	Cronauer et al.
		6,410,119 B1	6/2002	De Luca et al.
		6,460,313 B1	10/2002	Cooper
		6,488,222 B1	12/2002	West et al.
		6,499,278 B2	12/2002	Cronauer et al.
		6,519,916 B1	2/2003	Brown
		6,527,147 B2	3/2003	Wehrmann
		6,550,229 B2	4/2003	Sperry et al.
		6,565,946 B2	5/2003	Perkins et al.
		6,582,800 B2	6/2003	Fuss et al.
		6,625,956 B1	9/2003	Soudan
		D480,646 S	10/2003	Borchard et al.
		D480,971 S	10/2003	DeLuca et al.
		6,635,145 B2	10/2003	Cooper
		6,659,150 B1	12/2003	Perkins et al.
		6,672,037 B2	1/2004	Wehrmann
		D490,711 S	6/2004	DeLuca et al.
		6,751,926 B1	6/2004	Cooper
		6,761,960 B2	7/2004	De Luca et al.
		6,786,022 B2	9/2004	Fuss et al.
		6,889,739 B2	5/2005	Lerner et al.
		6,948,296 B1	9/2005	Lerner et al.
		6,952,910 B1	10/2005	Lorsch
		6,955,846 B2	10/2005	Lerner
		D512,311 S	12/2005	DeLuca et al.
		D513,182 S	12/2005	DeLuca et al.
		7,125,463 B2	10/2006	Lerner et al.
		7,165,375 B2	1/2007	O'Dowd
		7,223,462 B2	5/2007	Perkins et al.
		7,533,772 B2	5/2009	Yoshifusa et al.
		7,550,191 B2	6/2009	Lerner
		D596,031 S *	7/2009	Wehrmann D9/456
		D599,118 S *	9/2009	Perkins et al. D5/53
		D603,705 S	11/2009	Wehrmann
		7,718,028 B2	5/2010	Lerner et al.
		7,757,459 B2	7/2010	Wehrmann
		7,767,288 B2	8/2010	Lerner
		2001/0000719 A1	5/2001	Lerner et al.
		2001/0013215 A1	8/2001	Fuss et al.

US D630,945 S

Page 3

2001/0014980 A1 8/2001 Patterson et al.
2002/0108697 A1 8/2002 Perkins et al.
2002/0155246 A1 10/2002 Johnson et al.
2002/0174629 A1 11/2002 Cronauer et al.
2004/0265523 A1 12/2004 Koyanagi et al.
2005/0266189 A1 12/2005 Wehrmann
2006/0042191 A1 3/2006 Lerner
2006/0086064 A1 4/2006 Wehrmann
2006/0090421 A1 5/2006 Sperry
2007/0054074 A1 3/2007 Wehrmann
2007/0054075 A1 3/2007 Wehrmann
2009/0110864 A1 4/2009 Wehrmann et al.

FOREIGN PATENT DOCUMENTS

EP 1466720 10/2004
WO 97/46453 12/1997
WO WO 00/71423 11/2000
WO 01/53153 7/2001
WO 01/85434 11/2001
WO 02/26589 4/2002
WO 2005/118408 12/2005

WO 2007/070240 6/2007
WO 2009/058749 5/2009

OTHER PUBLICATIONS

One page drawing, Briggs Bag 1, illustrates a web of pre-formed bags sold by Applicant for use in Applicant's SP machines more than one year prior to the priority date of the present application. Operation of Applicant's SP machines is disclosed by U.S. Patent Nos. 4,969,310; 5,743,070; 5,944,424; 5,722,218; and 6,035,611.

International Search Report from PCT/US09/38344 dated Dec. 22, 2009.

International Search Report and Written Opinion from PCT/US05/18817 dated Mar. 30, 2007.

International Search Report and Written Opinion from PCT/US06/45447, dated Feb. 22, 2007.

International Search Report and Written Opinion from PCT/US08/81410 dated Mar. 31, 2009.

Notice of Allowance from U.S. Appl. No. 29/332,921 dated Aug. 11, 2009.

* cited by examiner

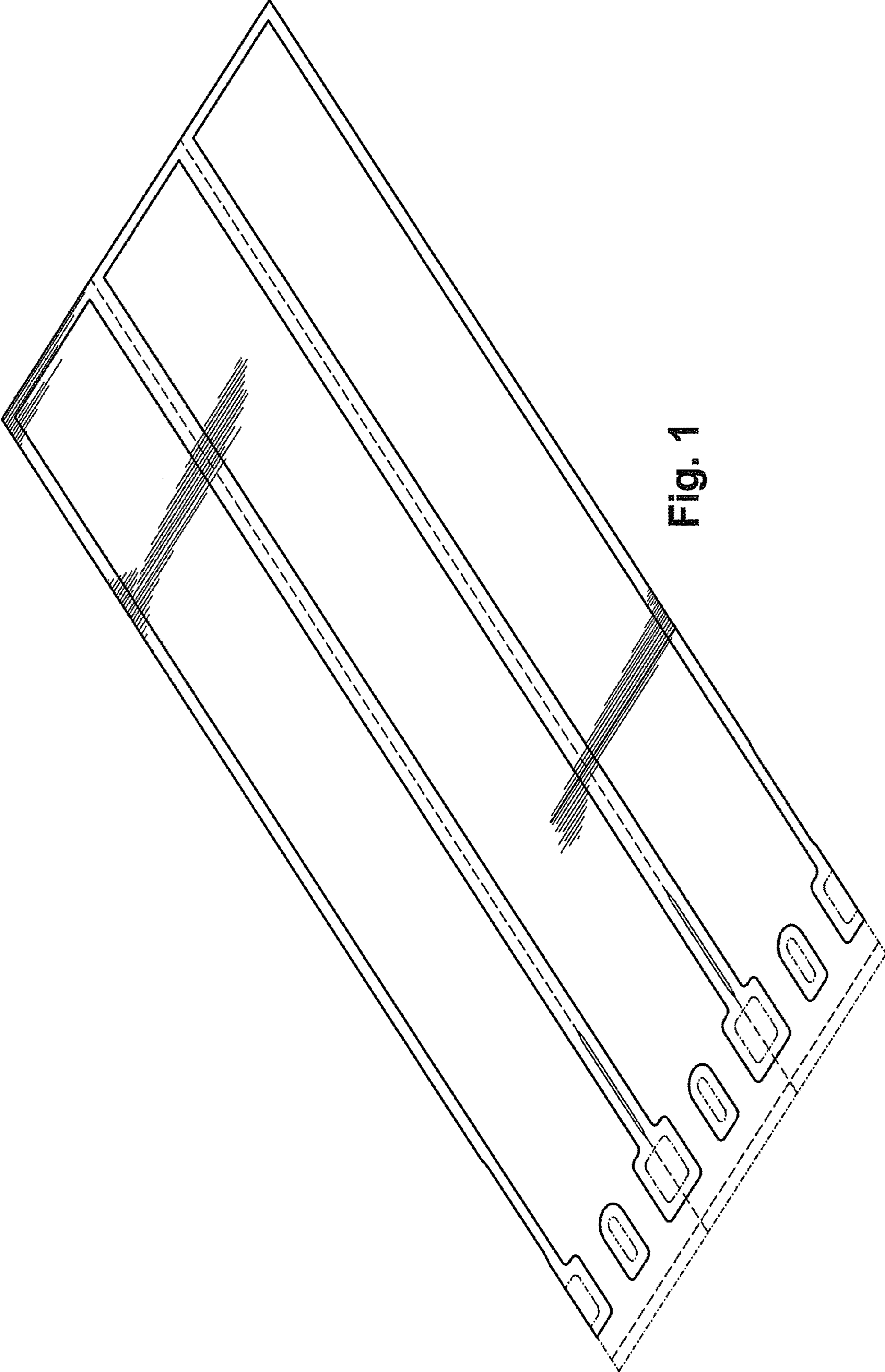


Fig. 1

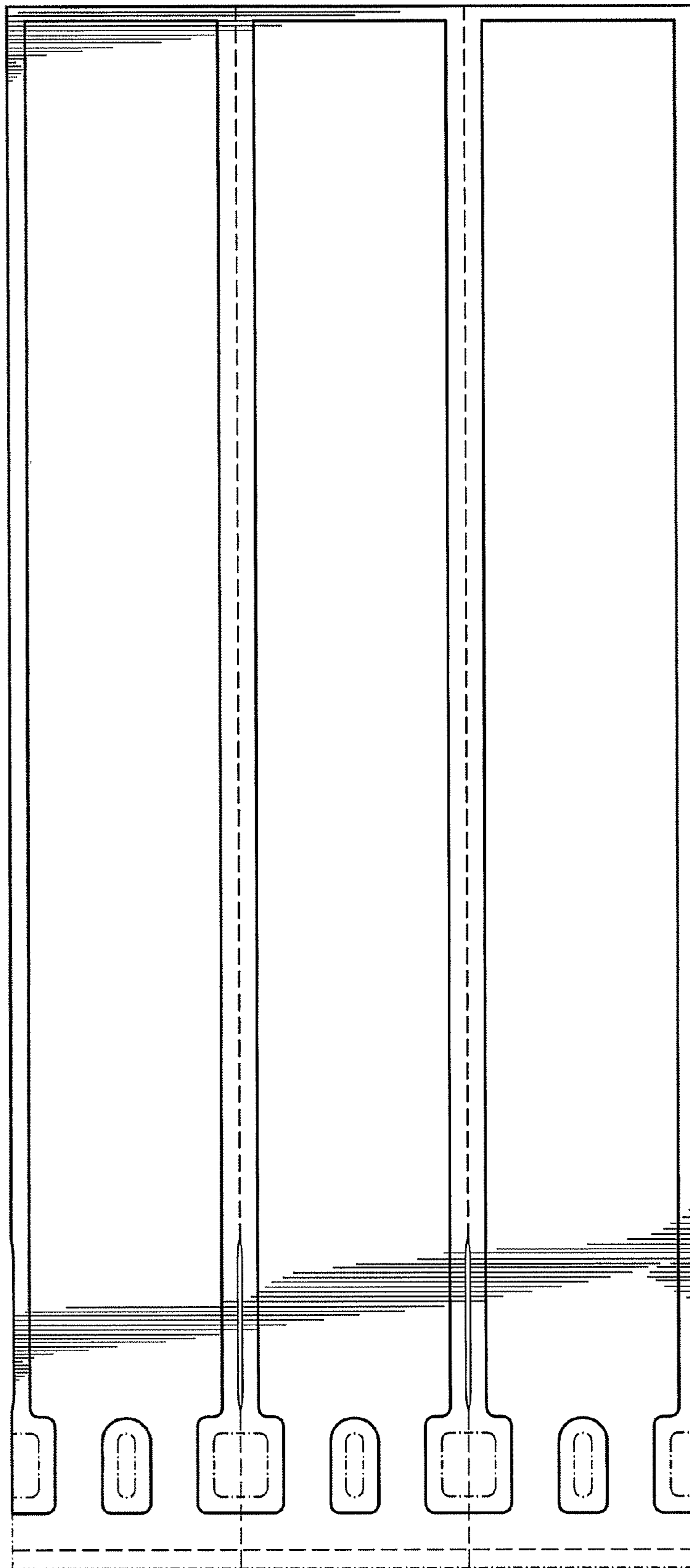


Fig. 2

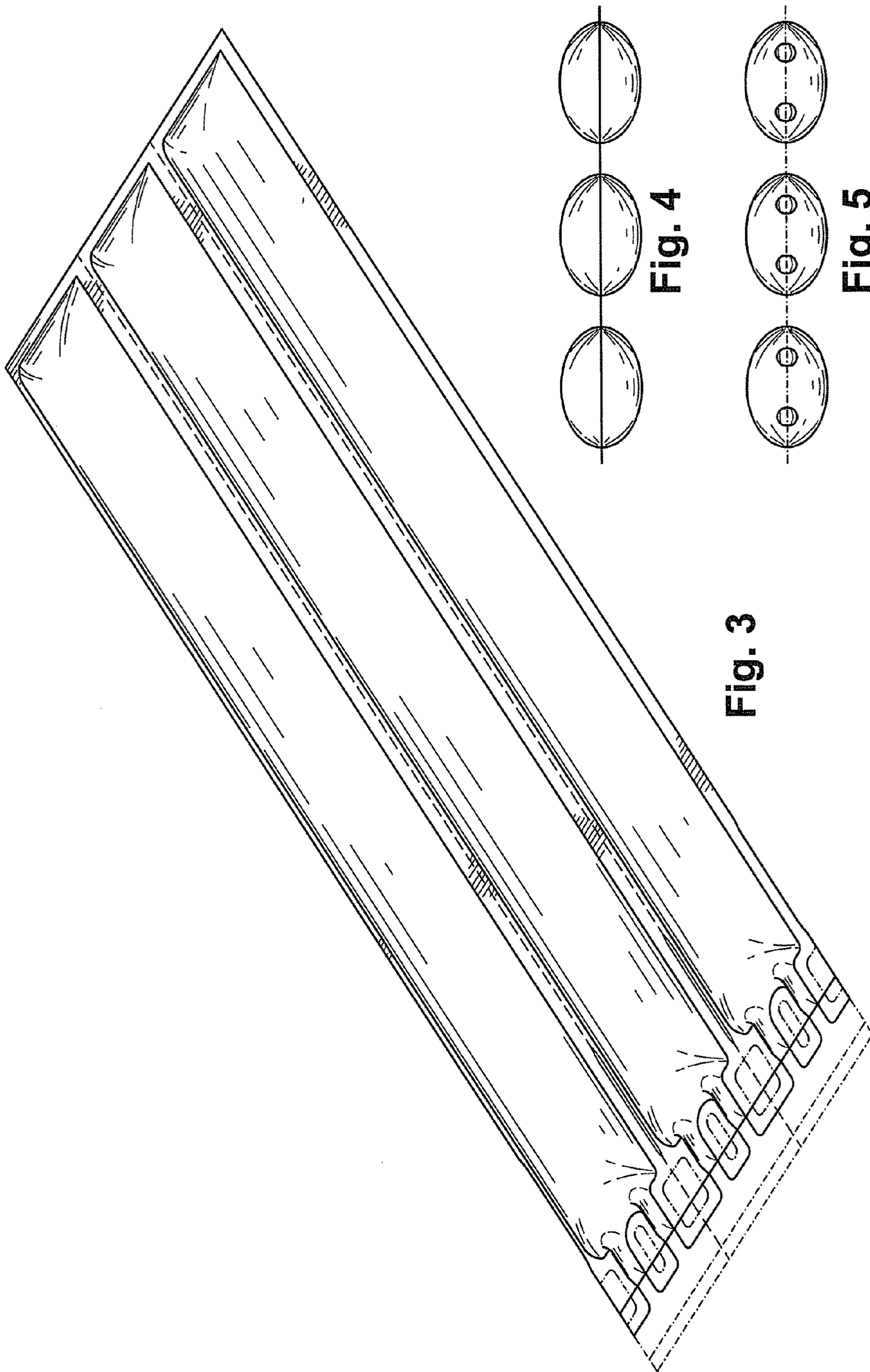


Fig. 4

Fig. 5

Fig. 3

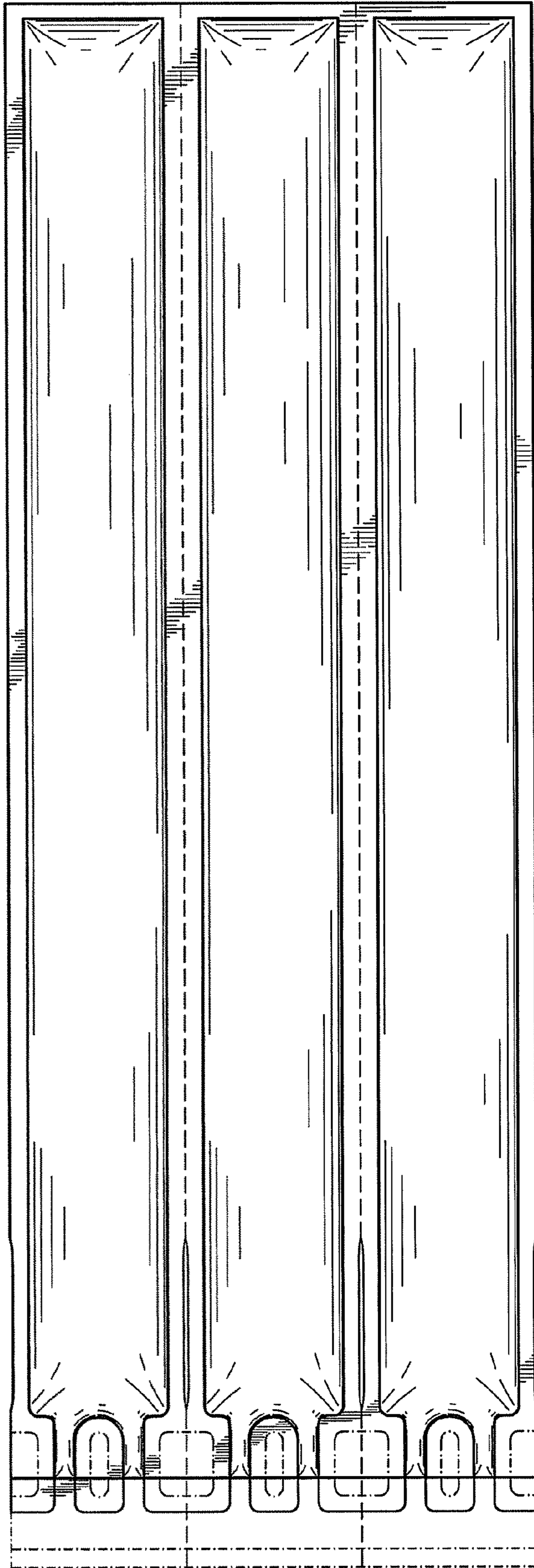


Fig. 6



Fig. 7

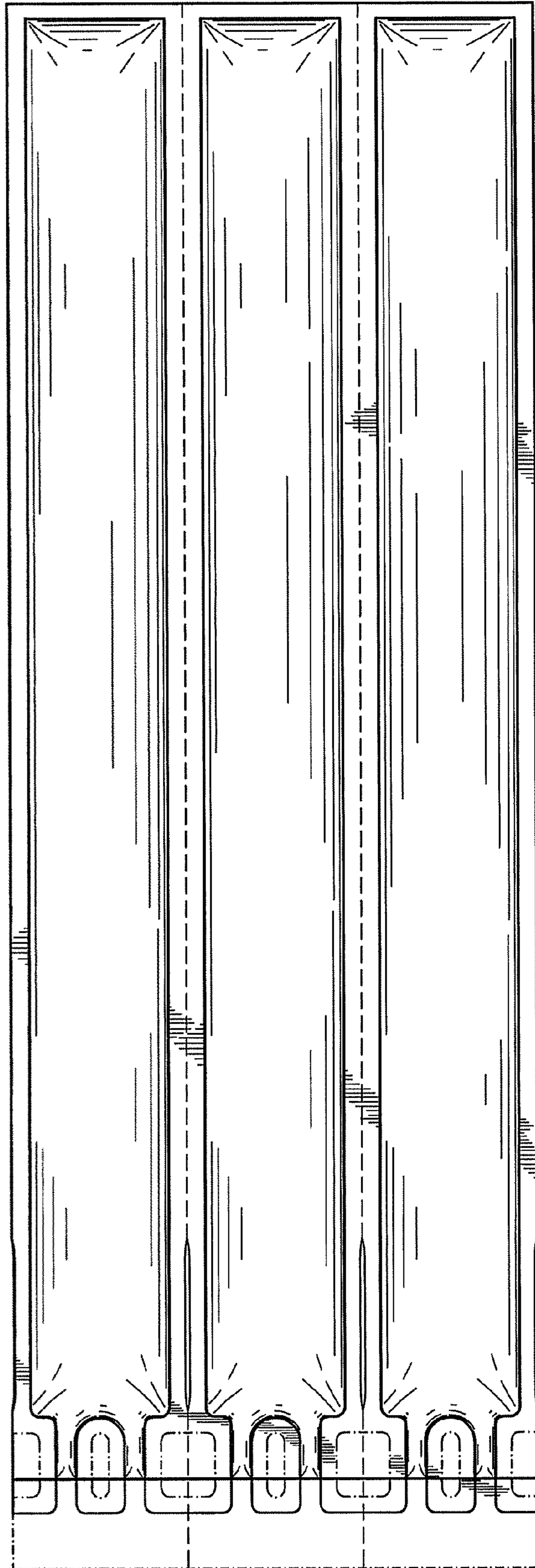


Fig. 8