



US00D630939S

(12) **United States Design Patent**
Peters et al.

(10) **Patent No.:** **US D630,939 S**
(45) **Date of Patent:** **** Jan. 18, 2011**

(54) **WET WIPES DISPENSER**

(75) Inventors: **Timothy James Peters**, Neenah, WI (US); **Andrew Dale Brinkdopke**, Appleton, WI (US); **Elizabeth Oriel Bradley**, Neenah, WI (US); **Robert Samuel Schlaupitz**, New London, WI (US); **Meghan Marie McGuire**, Milwaukee, WI (US); **Martin John Behling, II**, Allenton, WI (US)

(73) Assignee: **Kimberly-Clark Worldwide, Inc.**, Neenah, WI (US)

(**) Term: **14 Years**

(21) Appl. No.: **29/351,081**

(22) Filed: **Nov. 30, 2009**

(51) **LOC (9) Cl.** **09-03**

(52) **U.S. Cl.** **D9/420; D9/734**

(58) **Field of Classification Search** 222/173, 222/180; 221/26, 33, 45, 63, 282-284; 206/225, 206/233, 389, 391, 409, 494, 812, 824; 211/13.1, 211/45; 224/925; 242/570, 590; 248/309.1, 248/309.2, 905; D12/17, 19; D3/273, 294, D3/318; D9/420, 423, 549, 734; D6/512, D6/515-523

See application file for complete search history.

(56) **References Cited**

U.S. PATENT DOCUMENTS

- 4,289,262 A 9/1981 Finkelstein
- 4,865,221 A 9/1989 Jackson et al.
- 4,892,220 A 1/1990 Foos
- 5,065,887 A 11/1991 Schuh et al.
- D367,609 S * 3/1996 Frank et al. D9/425
- D395,952 S 7/1998 Buczwinski et al.
- 5,785,179 A * 7/1998 Buczwinski et al. 206/494
- D412,439 S 8/1999 Cormack
- D416,794 S 11/1999 Cormack
- D418,059 S 12/1999 Hill
- D421,901 S * 3/2000 Hill D9/423

- 6,092,690 A 7/2000 Bitowft et al.
- D442,081 S * 5/2001 Paul D9/423
- D443,450 S 6/2001 Ruhotas et al.
- D445,028 S 7/2001 Grubstein
- D450,960 S * 11/2001 Boyea et al. D6/515
- D459,124 S * 6/2002 Le et al. D9/734
- D461,403 S 8/2002 Chomik et al.
- D463,276 S * 9/2002 Piscopo et al. D9/420
- D465,685 S * 11/2002 Dellerman et al. D9/435
- D467,105 S 12/2002 Le et al.
- D467,454 S 12/2002 Le et al.
- 6,499,626 B1 12/2002 Julius
- D469,287 S * 1/2003 Mathews D9/435
- 6,523,690 B1 2/2003 Buck et al.

(Continued)

FOREIGN PATENT DOCUMENTS

EP 1 647 500 B1 3/2009

(Continued)

Primary Examiner—Thomas J Johannes

(74) *Attorney, Agent, or Firm*—R. Joseph Foster, III

(57) **CLAIM**

We claim the ornamental design for a wet wipes dispenser, as shown and described.

DESCRIPTION

FIG. 1 is a perspective view of a wet wipes dispenser showing our new design.

FIG. 2 is a front view thereof.

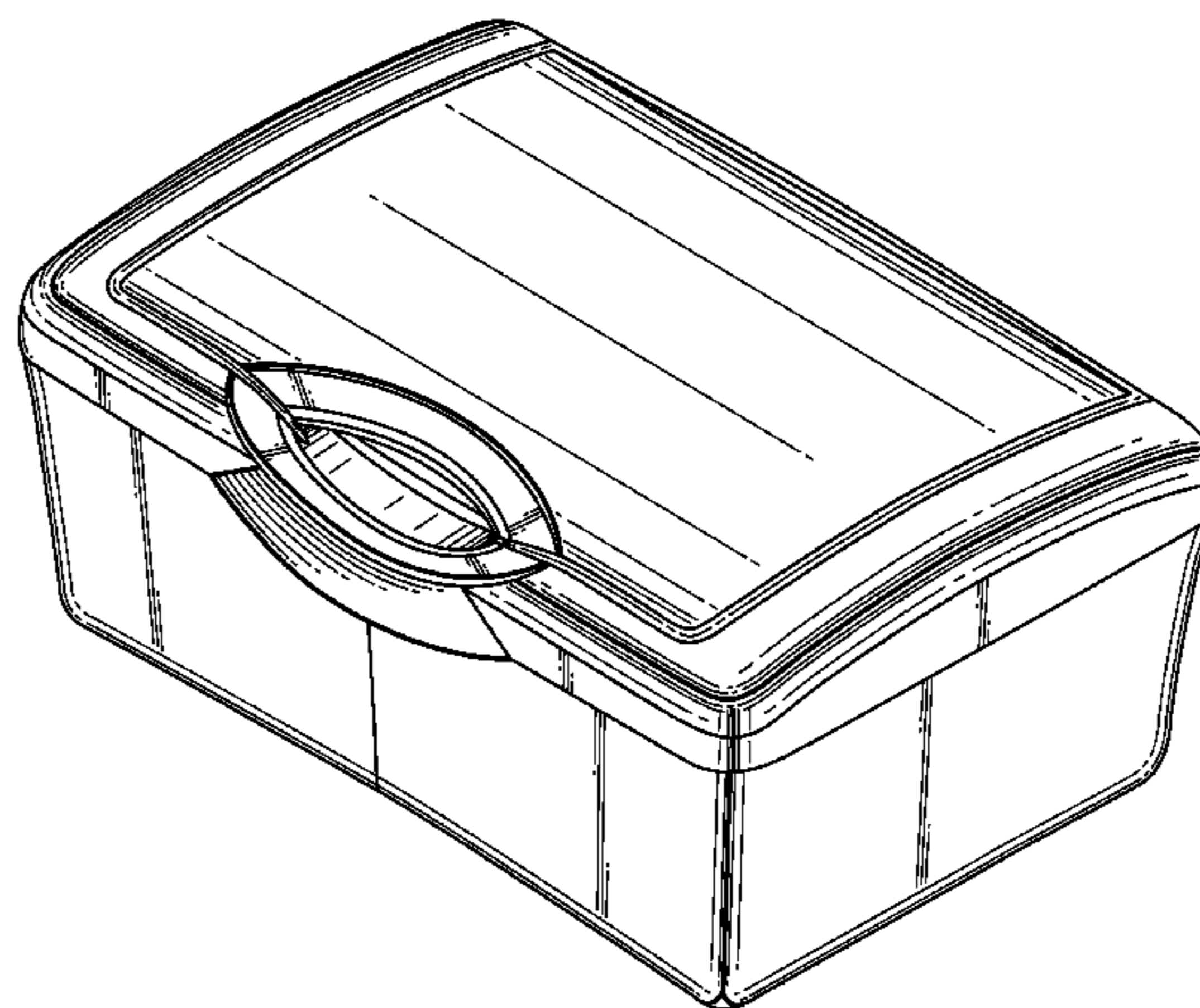
FIG. 3 is a top view thereof.

FIG. 4 is a left side view thereof; and,

FIG. 5 is a front view thereof; with lid of the wet wipes dispenser rotated into an open usage condition.

The broken line portion of the figure drawings is included so show unclaimed subject matter only and forms no part of the claimed design.

1 Claim, 5 Drawing Sheets



US D630,939 S

Page 2

U.S. PATENT DOCUMENTS			2008/0222929 A1* 9/2008 Sawin et al. 40/124.06
D473,740 S	4/2003	Ruhotas et al.	
6,585,131 B2	7/2003	Huang et al.	
6,592,004 B2	7/2003	Huang et al.	
D479,419 S	9/2003	White et al.	
D479,420 S	9/2003	White et al.	
D485,461 S *	1/2004	Sams et al. D6/515	
6,766,919 B2	7/2004	Huang et al.	
6,910,579 B2	6/2005	Reinke et al.	
6,951,292 B2	10/2005	Bando et al.	
7,028,840 B2	4/2006	Huang et al.	
2005/0263534 A1	12/2005	Wu et al.	
2006/0283874 A1	12/2006	Wu et al.	
2007/0000936 A1	1/2007	Wu et al.	
			FOREIGN PATENT DOCUMENTS
			GB 2076073 D 7/1999
			GB 2077828 D 9/1999
			GB 2080862 D 9/1999
			GB 2087125 D 10/2000
			GB 2099218 D 2/2001
			GB 2102673 D 8/2001
			GB 3001914 D 1/2003
			GB 3008980 D 1/2003
			GB 3008981 D 1/2003
			GB 3009167 D 1/2003
			WO WO 97/29025 A1 8/1997
			WO WO 98/19934 A1 5/1998
			WO WO 2005/023677 A1 3/2005

* cited by examiner

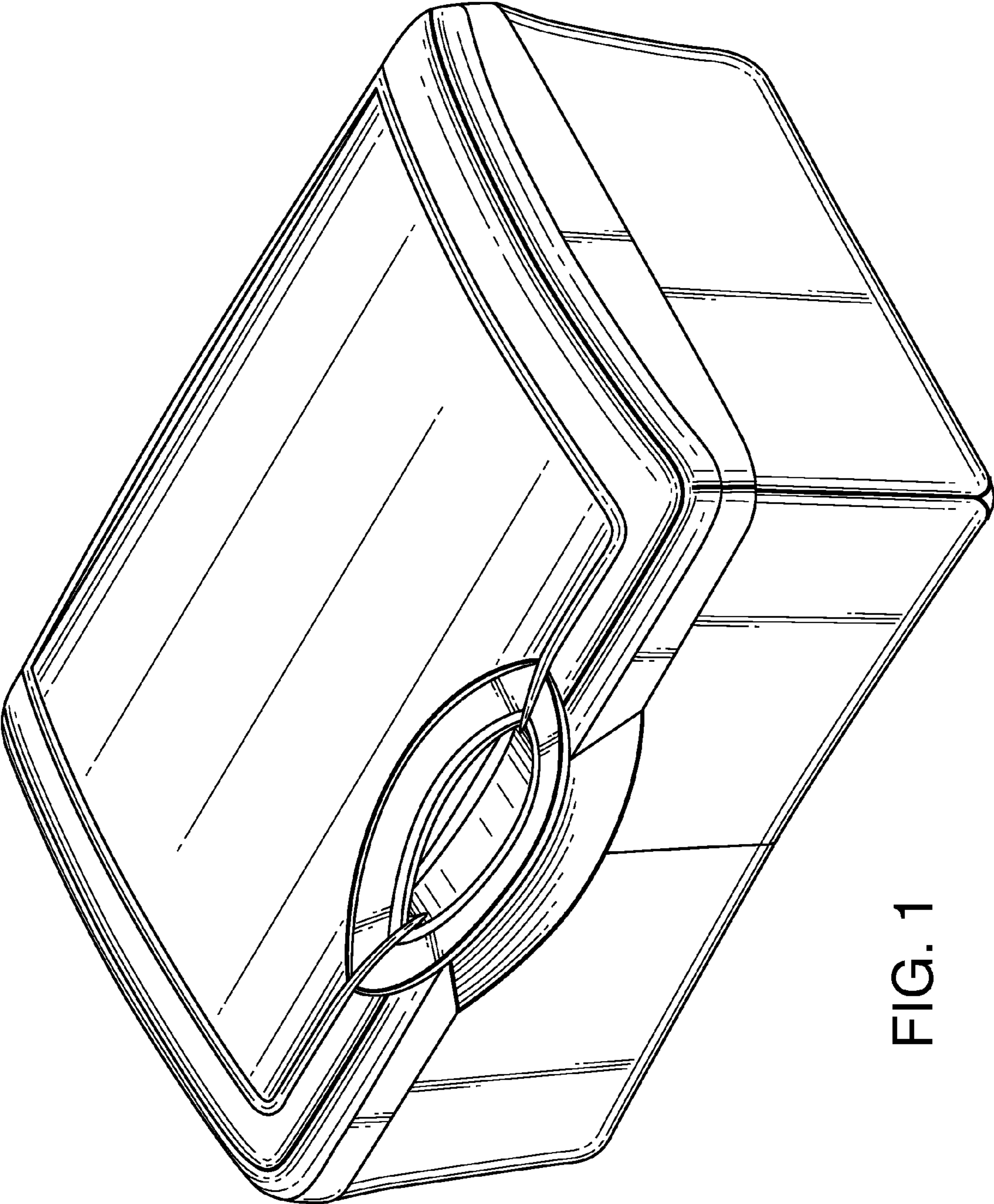


FIG. 1

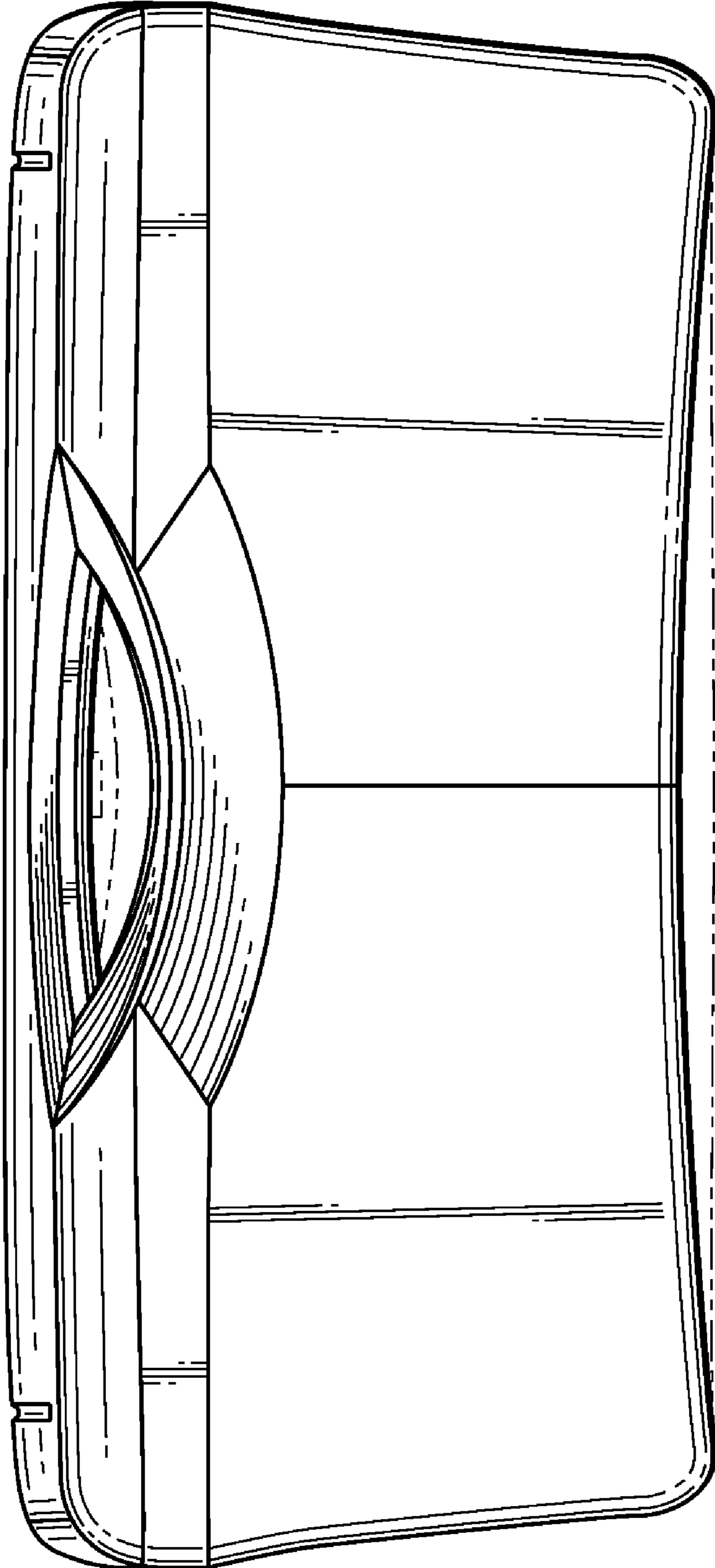


FIG. 2

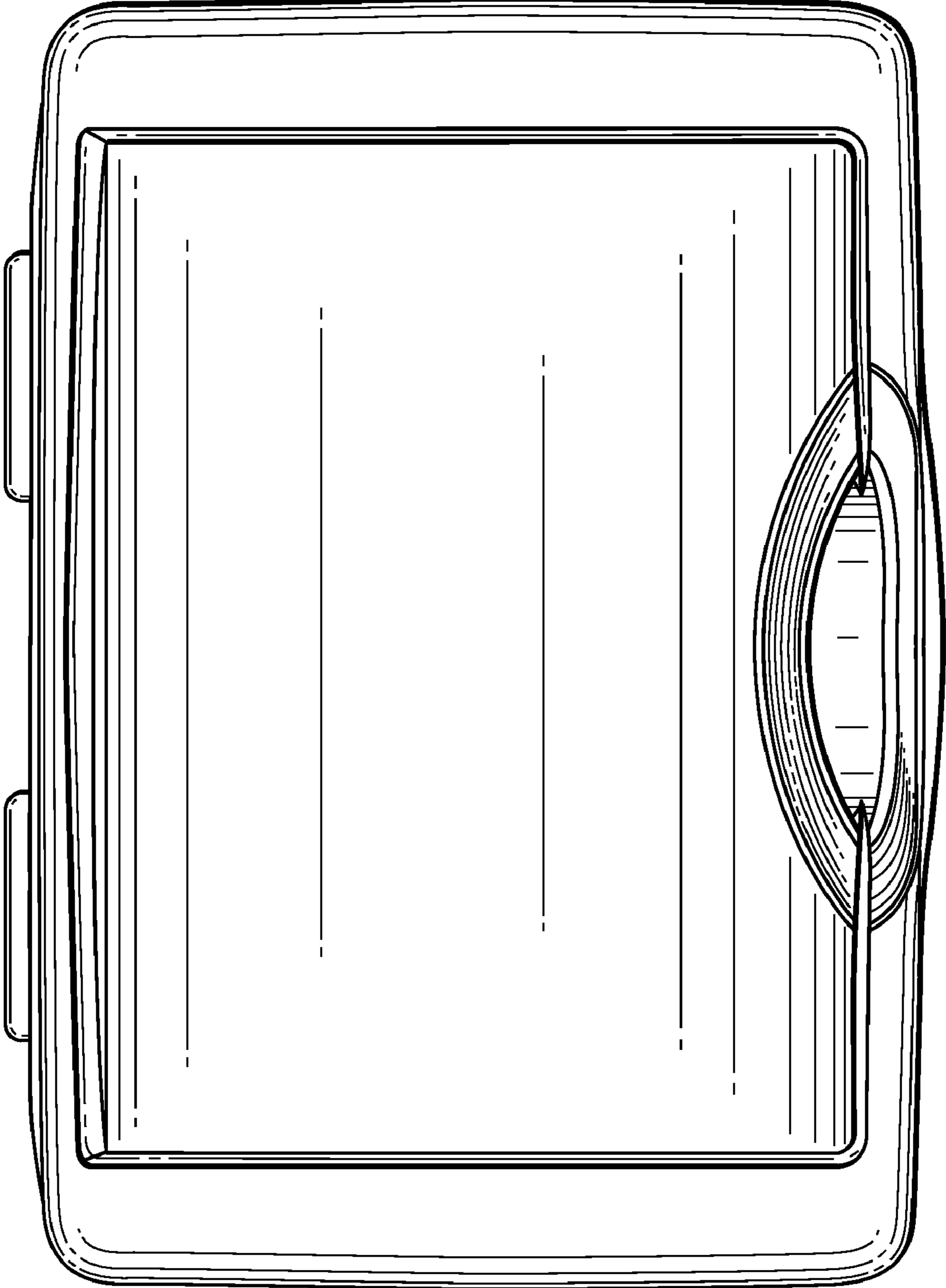


FIG. 3

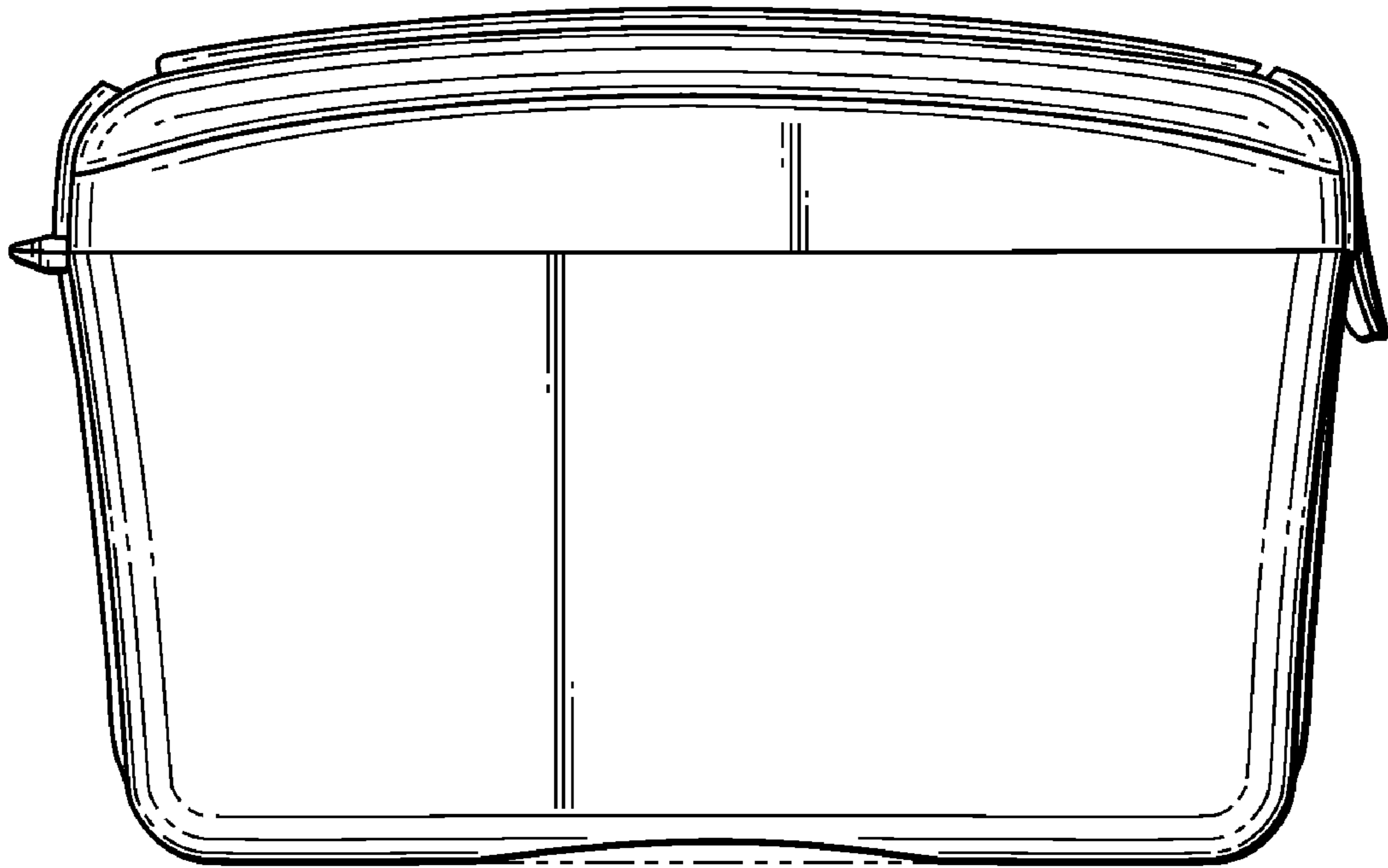


FIG. 4

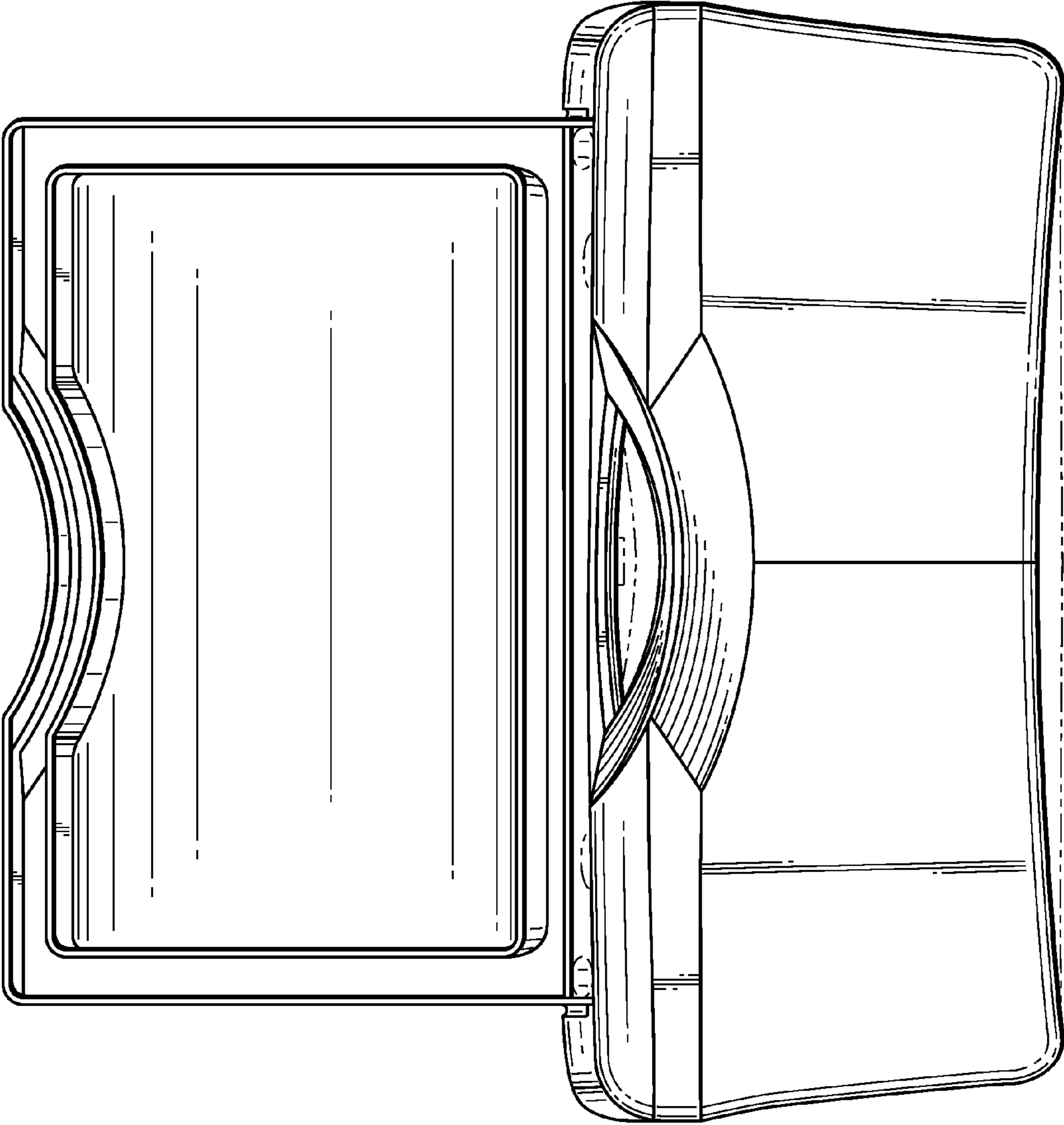


FIG. 5