



US00D630935S

(12) **United States Design Patent**  
**Jarvis**

(10) **Patent No.:** **US D630,935 S**  
(45) **Date of Patent:** **\*\* Jan. 18, 2011**

(54) **SHELVING WEDGE**  
(75) Inventor: **Charles W. Jarvis**, Irvine, CA (US)  
(73) Assignee: **Cambro Manufacturing Company**,  
Huntington Beach, CA (US)  
(\*\*) Term: **14 Years**  
(21) Appl. No.: **29/356,230**  
(22) Filed: **Apr. 1, 2010**

*Primary Examiner*—Susan Bennett Hattan  
(74) *Attorney, Agent, or Firm*—George F. Bethel

(57) **CLAIM**

I claim the ornamental design for a shelving wedge, as shown and described.

(51) **LOC (9) Cl.** ..... **08-05**  
(52) **U.S. Cl.** ..... **D8/381**  
(58) **Field of Classification Search** ..... D8/381,  
D8/380, 373, 371, 366, 363, 354, 349; D6/572,  
D6/567, 553, 512, 491, 466, 449, 418, 407;  
52/12, 11; 248/917, 629, 309.1, 300, 261,  
248/250, 245, 239, 235, 200  
See application file for complete search history.

**DESCRIPTION**

FIG. 1 is a perspective front left side top view of the shelving wedge.  
FIG. 2 is a front elevation view thereof.  
FIG. 3 is a left side view thereof.  
FIG. 4 is a top plan view thereof.  
FIG. 5 is a right side elevation view thereof.  
FIG. 6 is a back elevation view thereof.  
FIG. 7 is a bottom plan view thereof.  
FIG. 8 is a perspective top right side back view thereof; and,  
FIG. 9 is a perspective view of the shelving wedge in use.

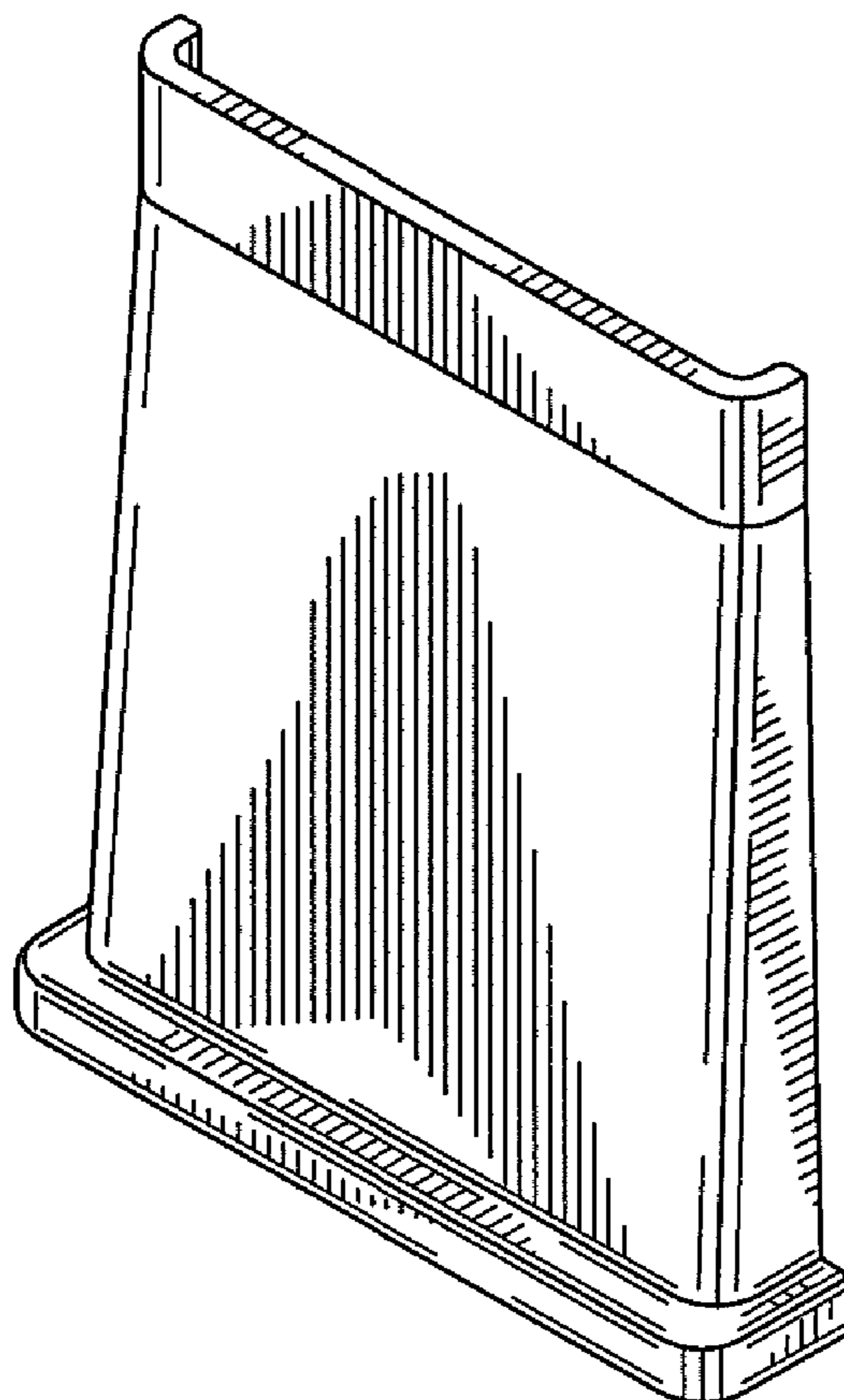
(56) **References Cited**

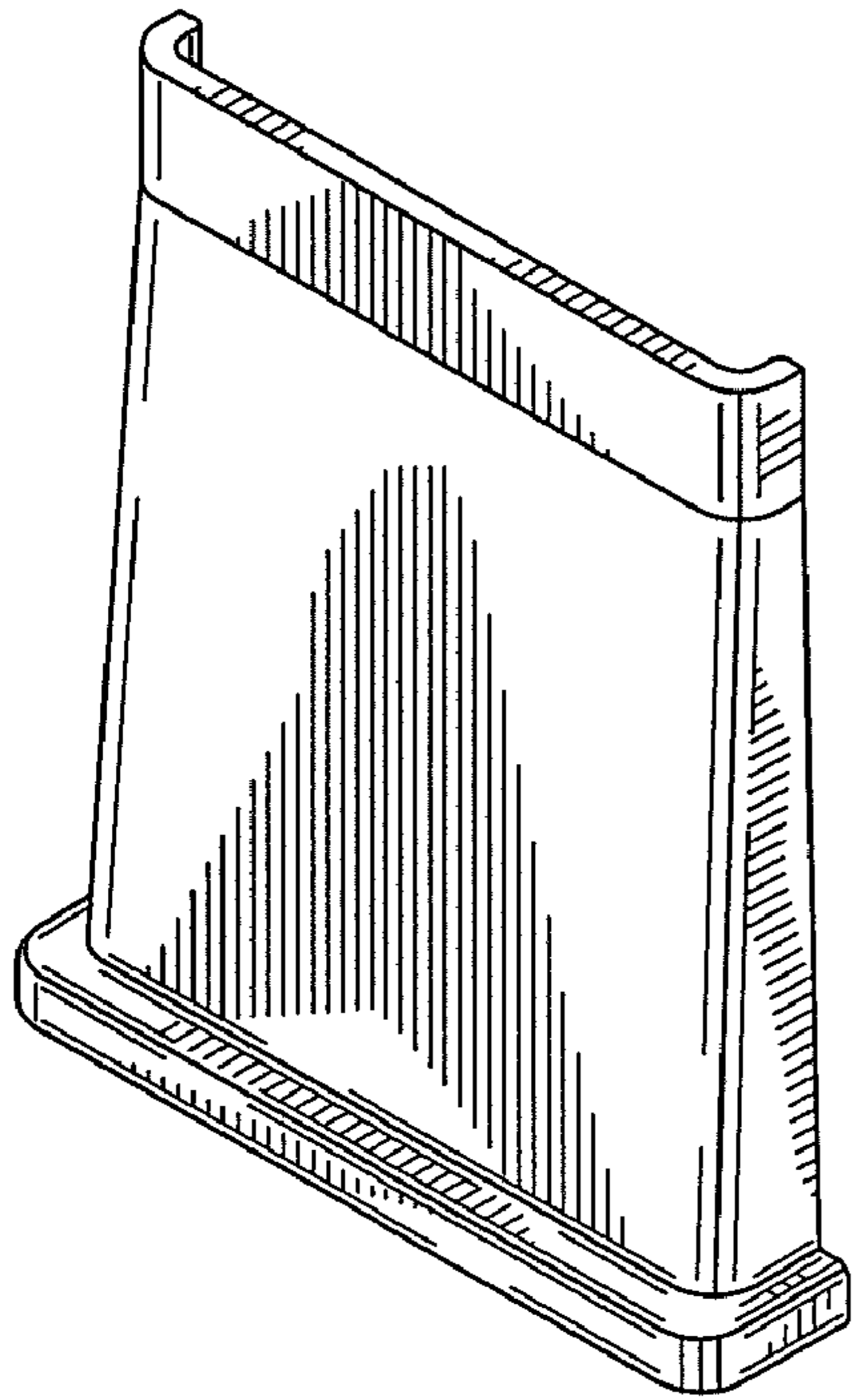
**U.S. PATENT DOCUMENTS**

D466,398 S \* 12/2002 DeLine ..... D8/373  
D623,929 S \* 9/2010 Jarvis et al. .... D8/381

\* cited by examiner

**1 Claim, 3 Drawing Sheets**

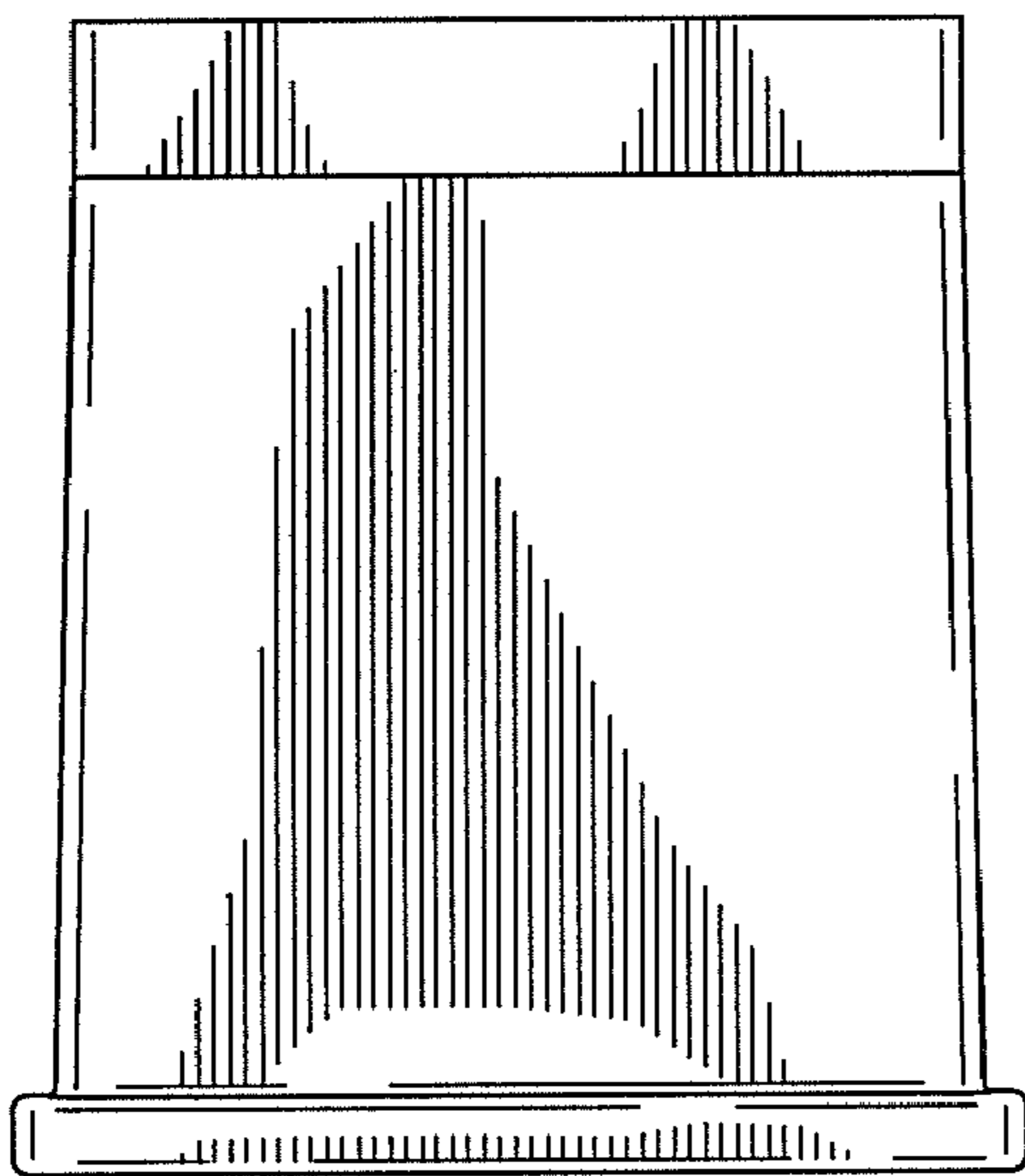




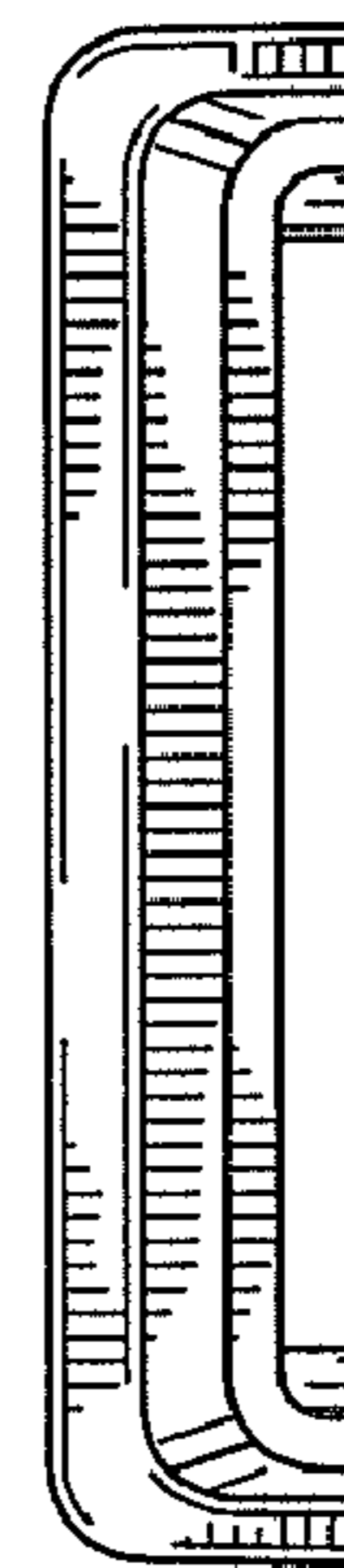
*FIG. 1*



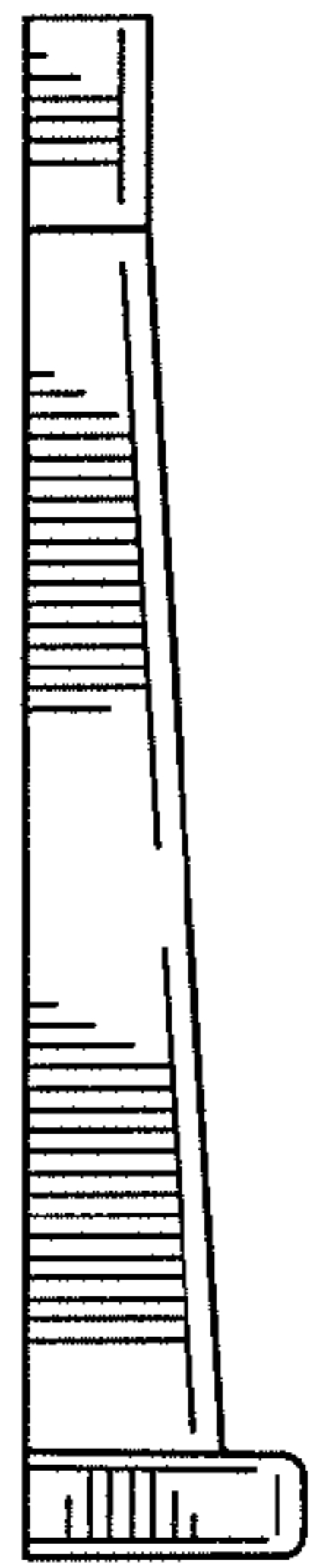
*FIG. 2*



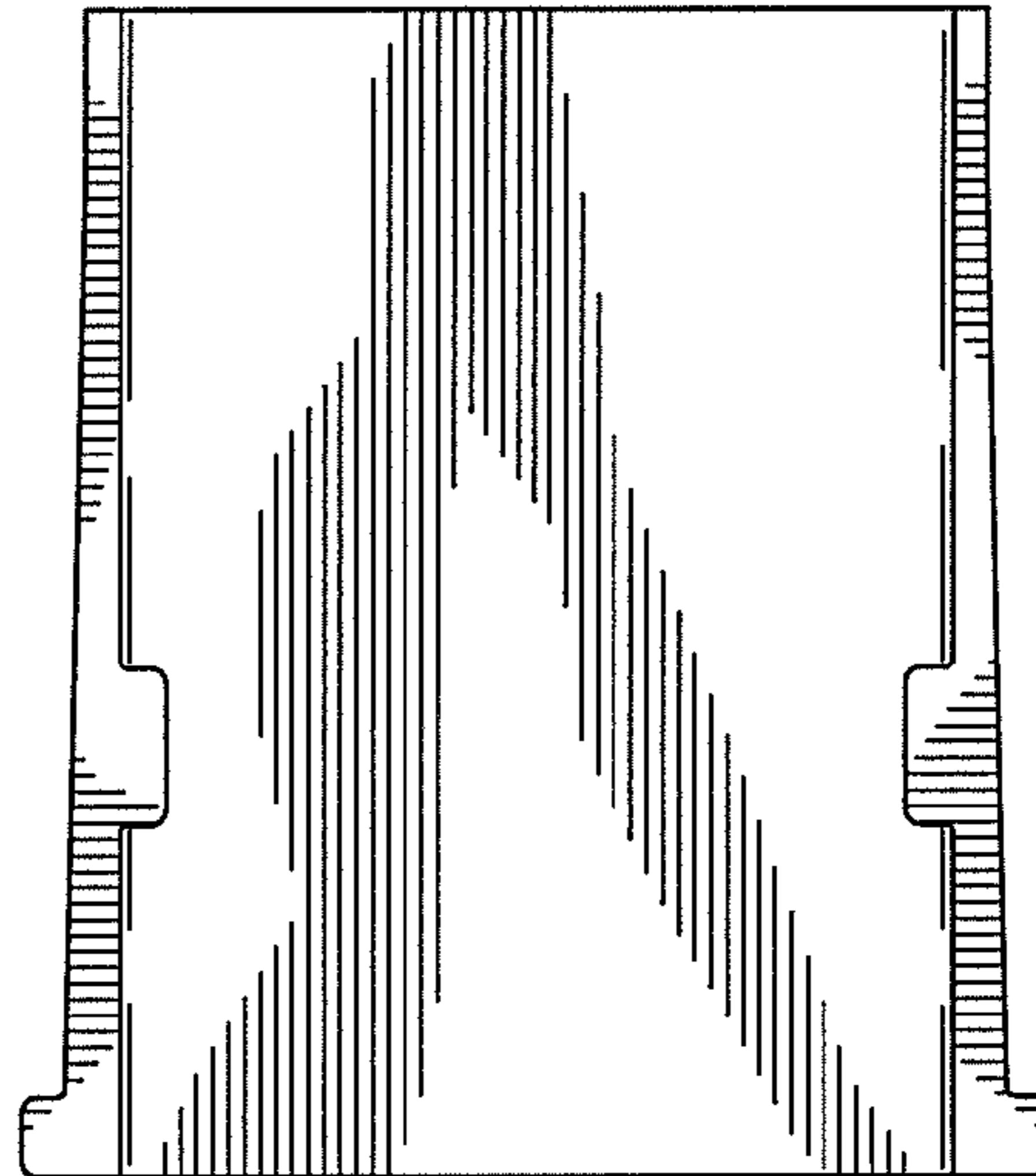
*FIG. 3*



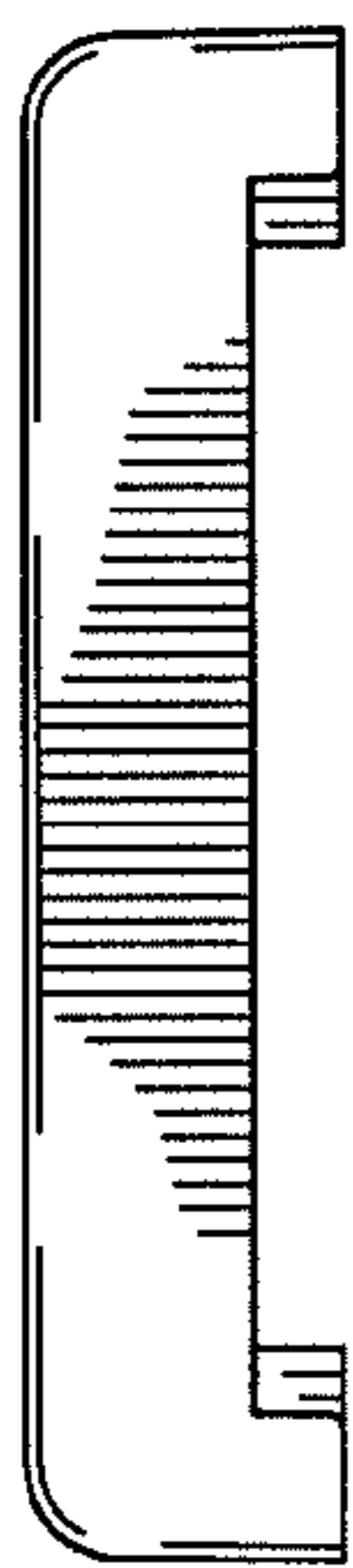
*FIG. 4*



**FIG. 6**

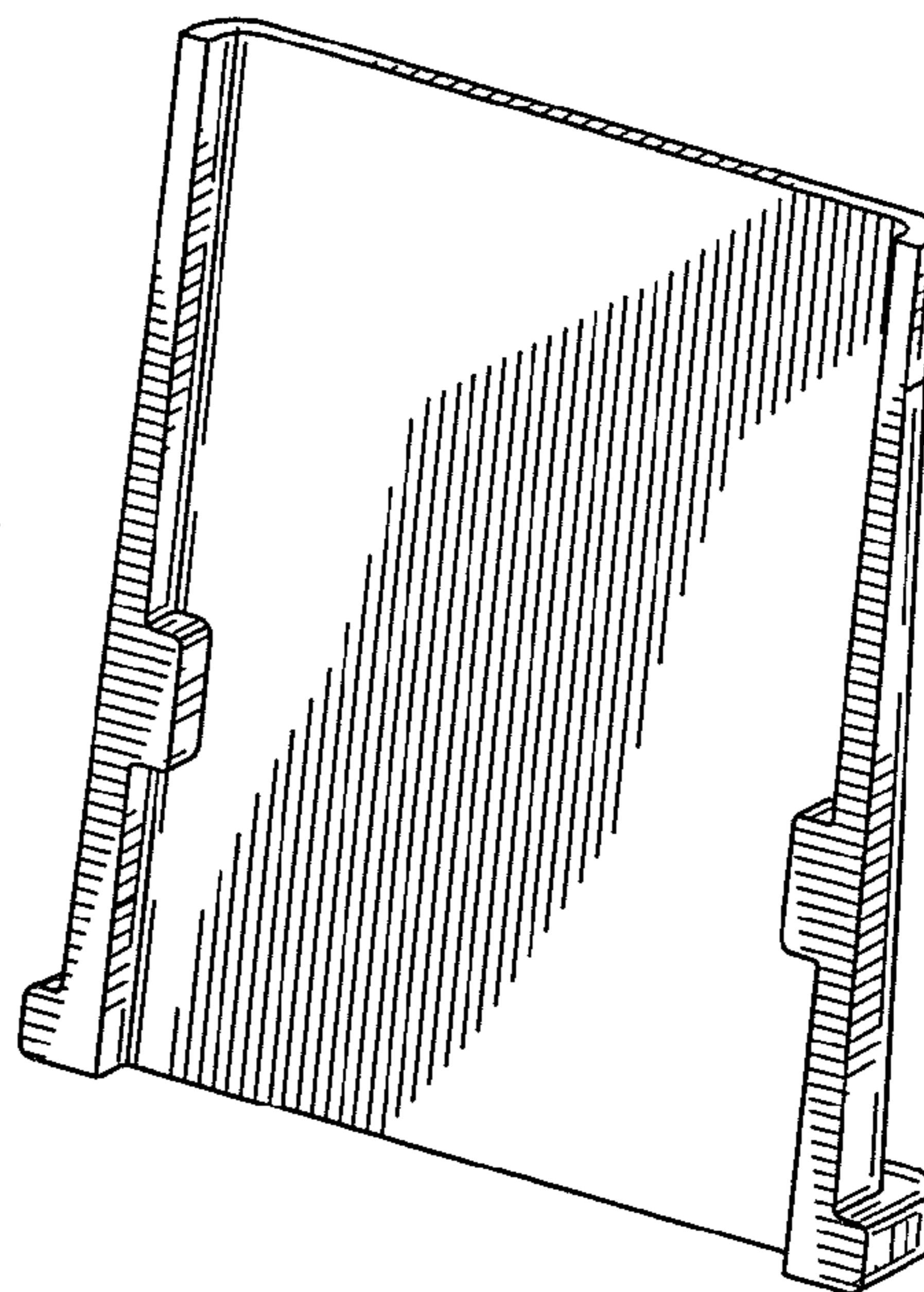


**FIG. 5**



**FIG. 7**

**FIG. 8**



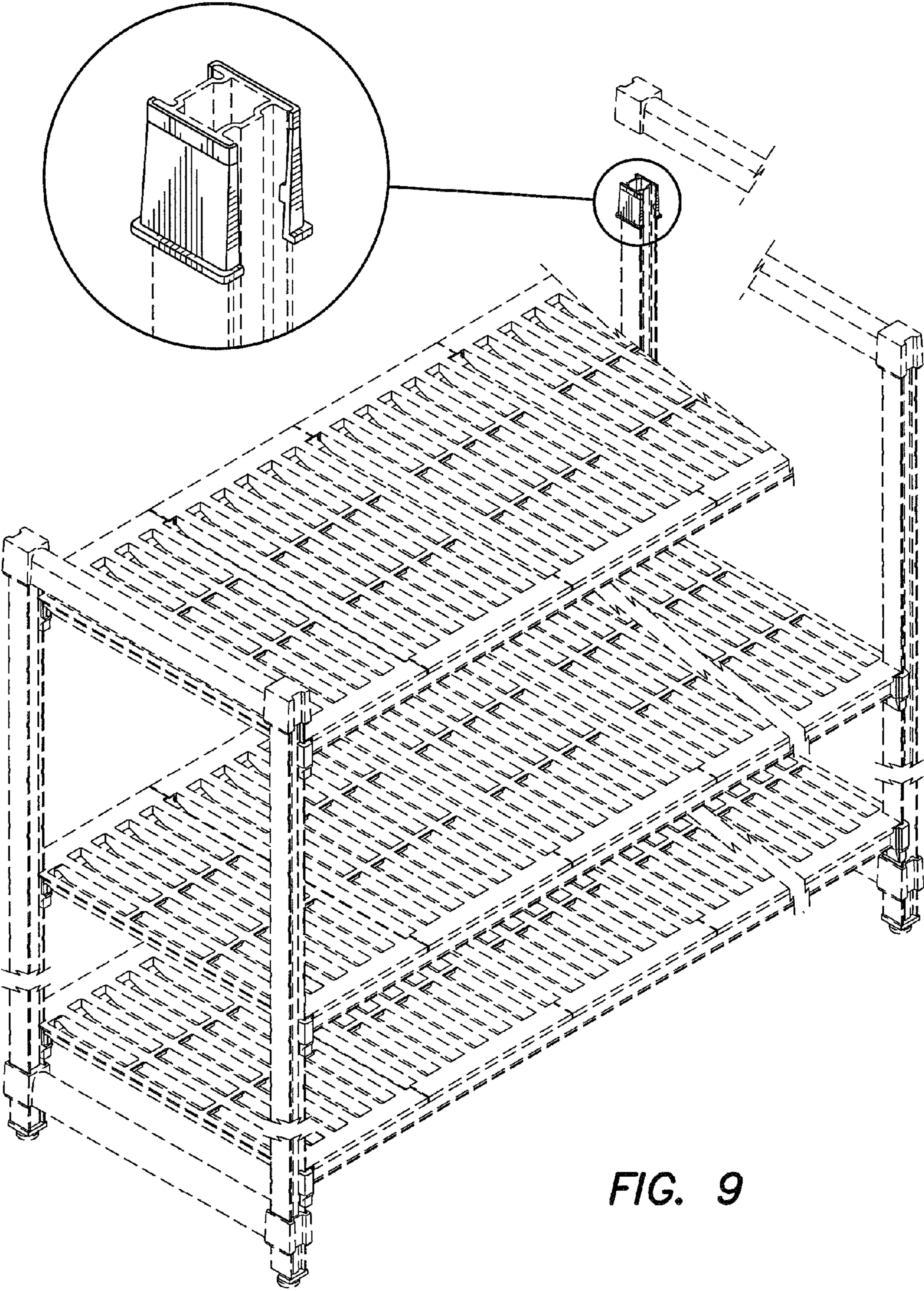


FIG. 9