



US00D630934S

(12) **United States Design Patent**
Kollman et al.

(10) **Patent No.:** **US D630,934 S**
(45) **Date of Patent:** **** Jan. 18, 2011**

(54) **UNIVERSAL TRACK CURTAIN ROD**

(75) Inventors: **Michael Kollman**, Fitchburg, WI (US);
Nicholas J. Schultz, Columbus, WI (US)

(73) Assignee: **Lumino, Inc.**, Madison, WI (US)

(**) Term: **14 Years**

(21) Appl. No.: **29/339,522**

(22) Filed: **Jul. 1, 2009**

(51) **LOC (9) Cl.** **08-05**

(52) **U.S. Cl.** **D8/376**

(58) **Field of Classification Search** D6/577,
D6/580, 581; D8/376, 377, 380; D25/55,
D25/119, 121

See application file for complete search history.

(56) **References Cited**

U.S. PATENT DOCUMENTS

668,923	A	2/1901	Muehlebach	
D257,503	S *	11/1980	McKee	D8/376
D257,666	S *	12/1980	McKee	D8/376
D324,645	S	3/1992	Magro et al.	
D355,353	S	2/1995	Pozzi	
5,642,595	A	7/1997	Daniels et al.	
D404,637	S	1/1999	Nagato	
D407,296	S	3/1999	Nagato	
D412,142	S *	7/1999	Dickie	D12/133
D428,801	S	8/2000	Barkan	
6,125,909	A *	10/2000	Walker et al.	160/345
D450,234	S	11/2001	Bosgoed	

D455,841	S *	4/2002	Fisher et al.	D25/61
D456,690	S	5/2002	Lai	
D489,464	S *	5/2004	Barnett	D25/119
D506,381	S	6/2005	Lu	
D558,569	S *	1/2008	Hanley	D8/400
D592,944	S *	5/2009	Kollman et al.	D8/376

OTHER PUBLICATIONS

Graber Drapery Hardware Price List, Section 1, Jul. 15, 2000.

* cited by examiner

Primary Examiner—Patricia Palasik

(74) *Attorney, Agent, or Firm*—Buchanan Ingersoll & Rooney PC

(57) **CLAIM**

The ornamental design for a universal track curtain rod, as shown and described.

DESCRIPTION

FIG. 1 is a perspective view of our universal track curtain rod;

FIG. 2 is a front view thereof, the rear view being a mirror image thereof;

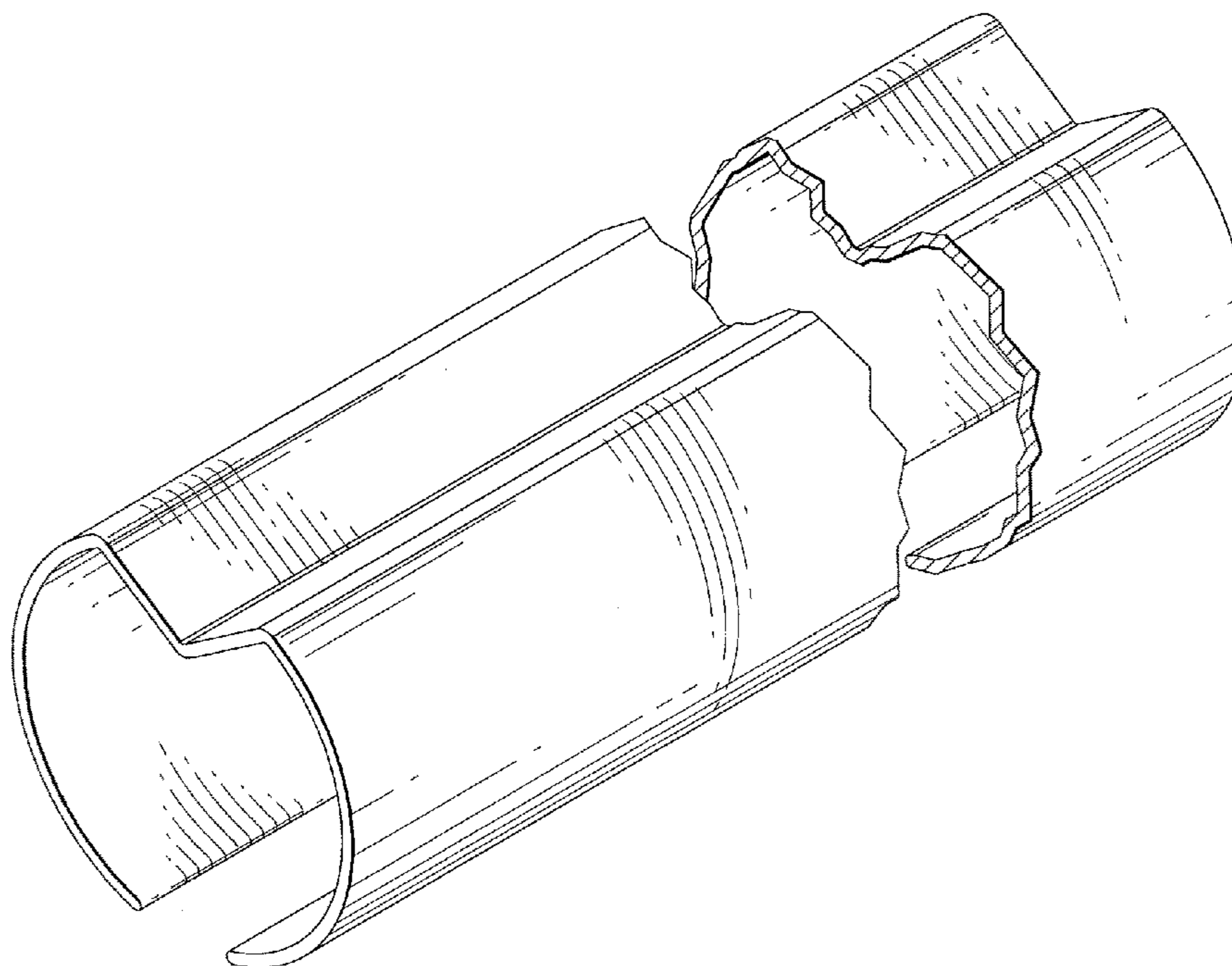
FIG. 3 is an end view thereof, both ends being identical;

FIG. 4 is a top view thereof; and,

FIG. 5 is a bottom view thereof.

The design is shown broken away near its center to indicate that a specific length of curtain rod forms no part of the claimed design.

1 Claim, 2 Drawing Sheets



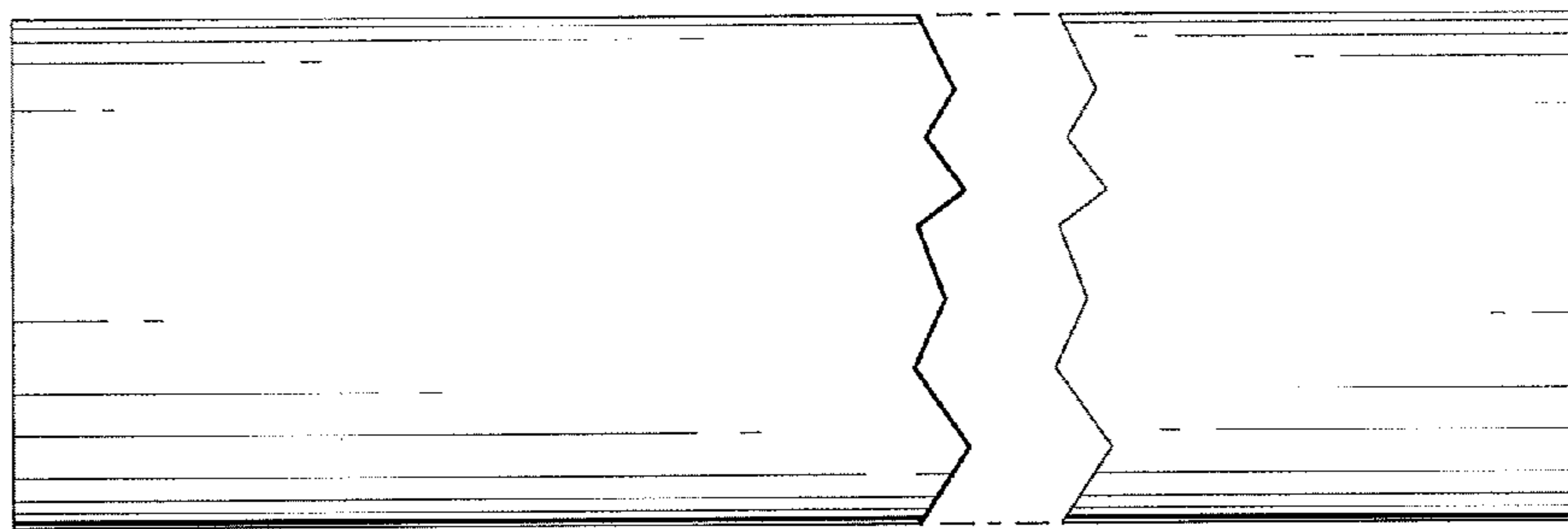
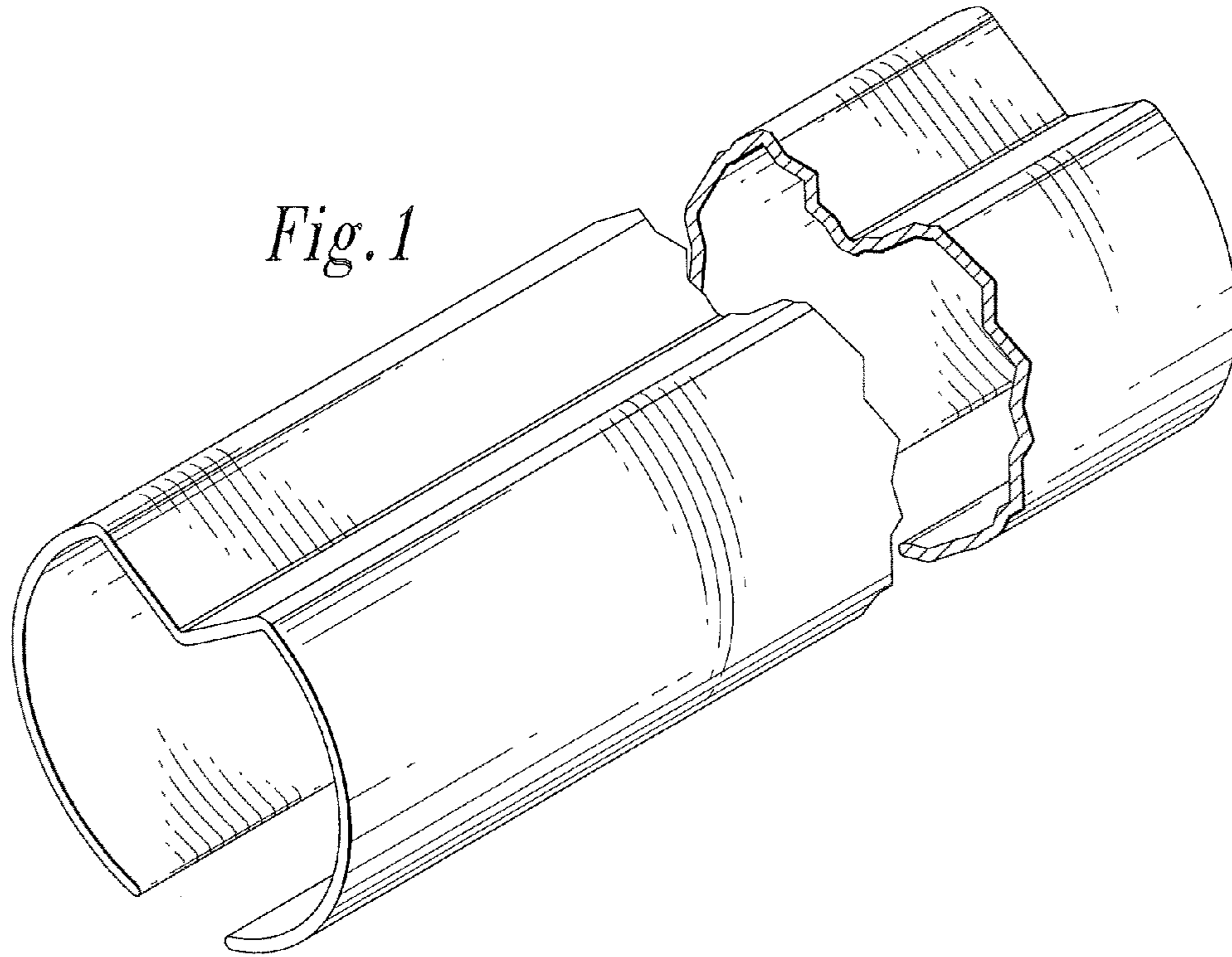


Fig. 2

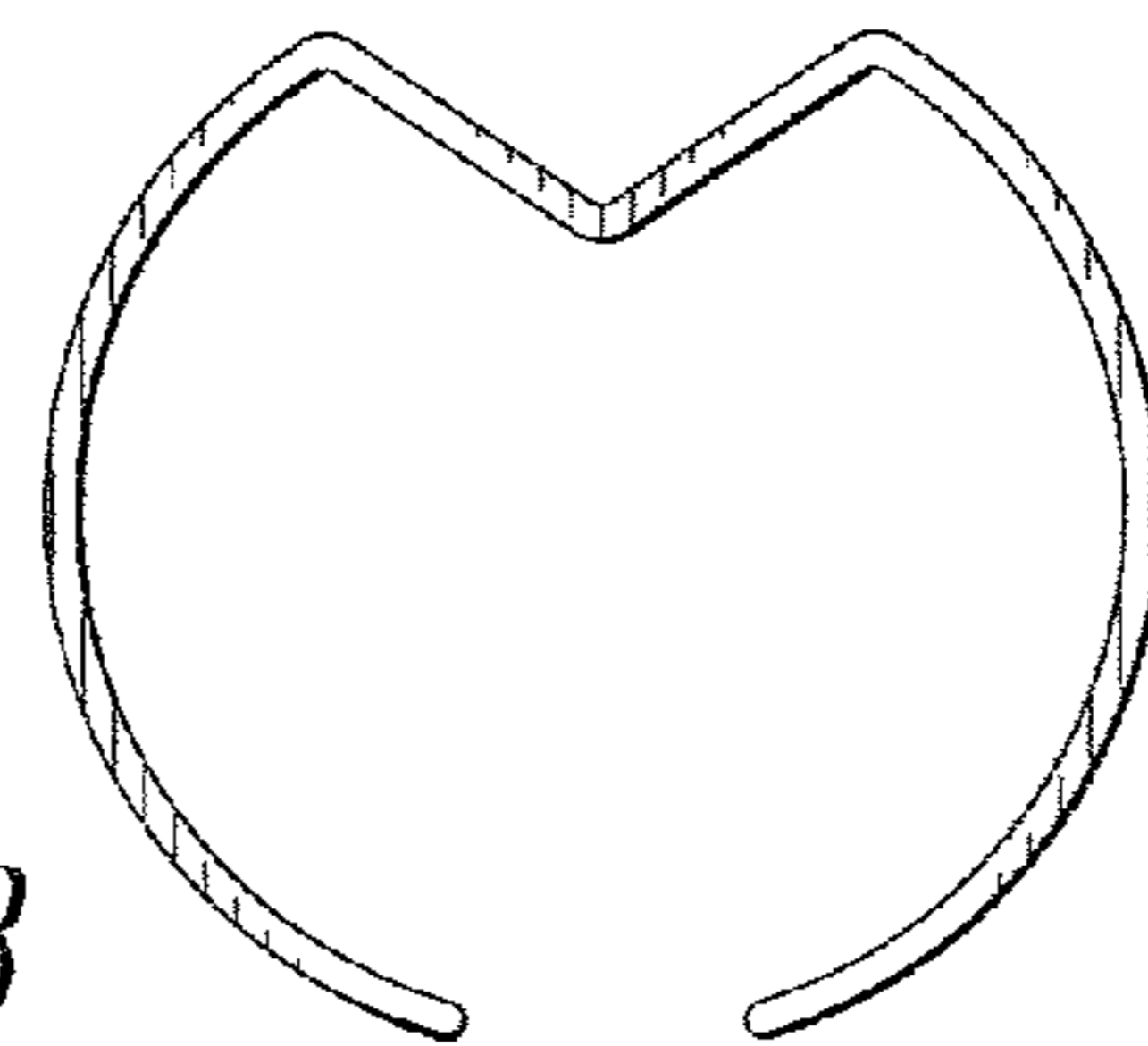


Fig. 3

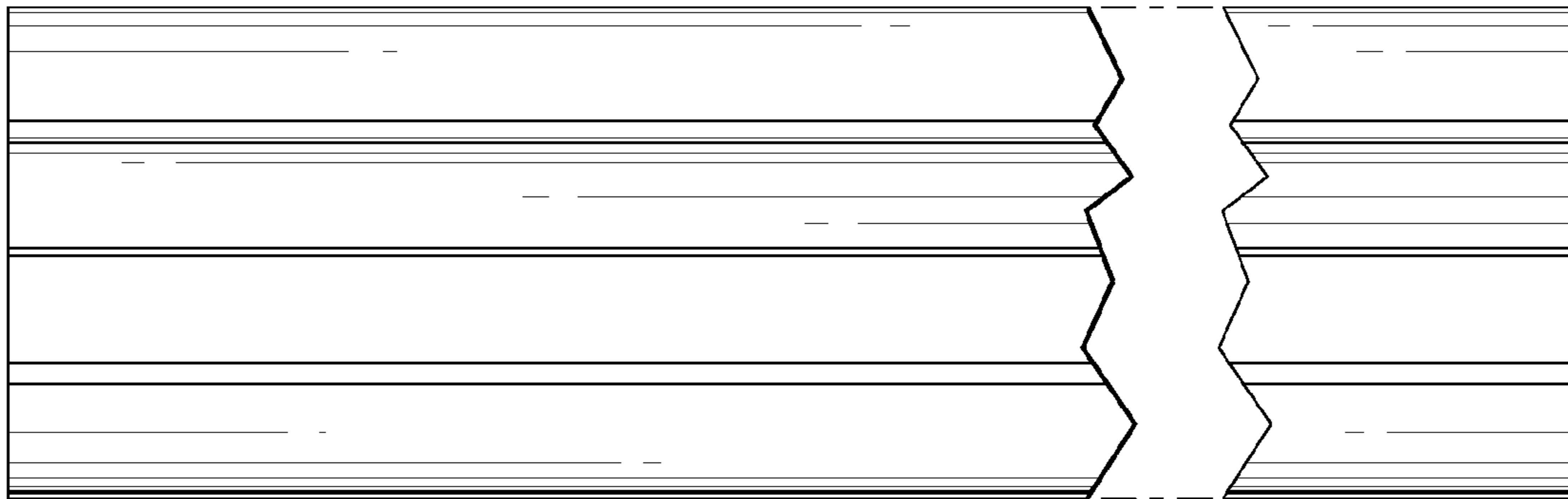


Fig. 4

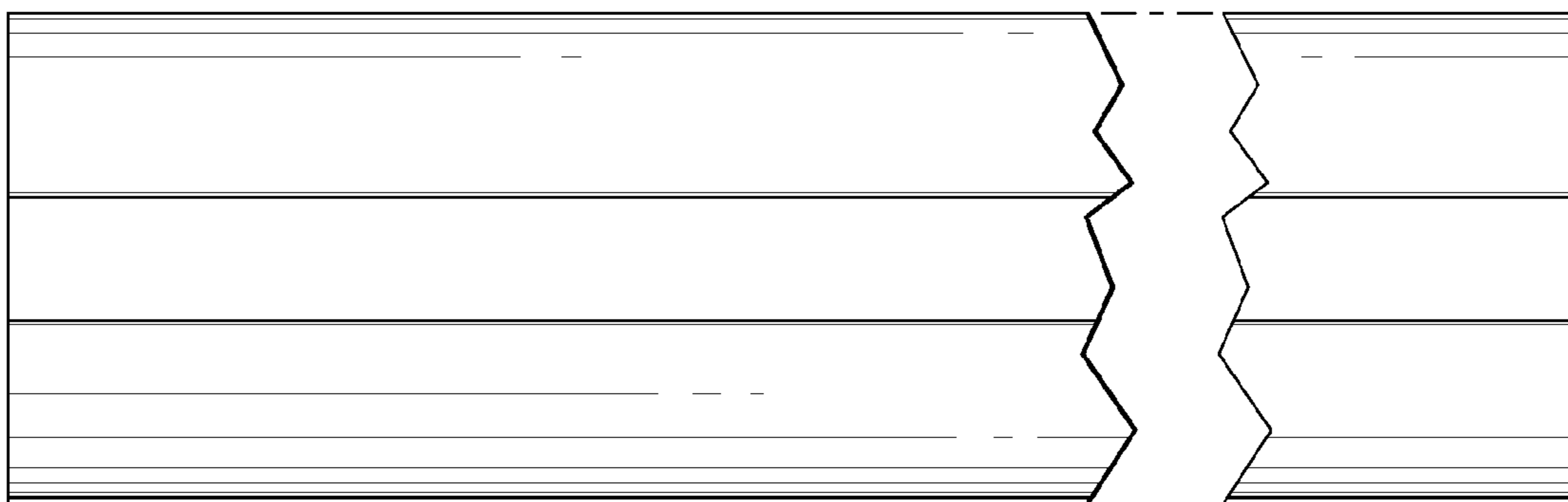


Fig. 5