



US00D630933S

(12) **United States Design Patent**
Marr, Jr.

(10) **Patent No.:** **US D630,933 S**
(45) **Date of Patent:** **** Jan. 18, 2011**

(54) **CLEAT**

(75) Inventor: **Edwin L. Marr, Jr.**, Providence, RI
(US)

(73) Assignee: **Tracrac, Inc.**, Fall River, MA (US)

(**) Term: **14 Years**

(21) Appl. No.: **29/366,566**

(22) Filed: **Jul. 27, 2010**

(51) **LOC (9) Cl.** **08-05**

(52) **U.S. Cl.** **D8/356**

(58) **Field of Classification Search** D8/372,
D8/367, 370, 356, 1, 382, 373; D6/323,
D6/313, 500; 248/301-304, 175; 70/59;
24/588.1, 601; 402/35; 114/218; D12/317;
D22/147; 16/87.2, 87.8

See application file for complete search history.

(56) **References Cited**

U.S. PATENT DOCUMENTS

533,193 A * 1/1895 Granger 114/218
4,147,122 A * 4/1979 Merry 114/218
D255,419 S * 6/1980 Hume D8/382
4,297,962 A * 11/1981 Johnson, Jr. 114/218
4,344,378 A * 8/1982 Martin 114/218

D432,395 S * 10/2000 Whitley D8/356
D506,126 S * 6/2005 Amy D8/382
D533,442 S * 12/2006 Baylor D8/356
D541,635 S * 5/2007 Amy D8/356
D551,059 S * 9/2007 Wagner D8/356

* cited by examiner

Primary Examiner—Cynthia Underwood

(74) *Attorney, Agent, or Firm*—Barlow, Josephs & Holmes,
Ltd.

(57) **CLAIM**

The ornamental design for a cleat, as shown.

DESCRIPTION

FIG. 1 is a perspective view of a cleat showing my new design;

FIG. 2 is a front elevational view thereof; the rear elevational view being a mirror image thereof;

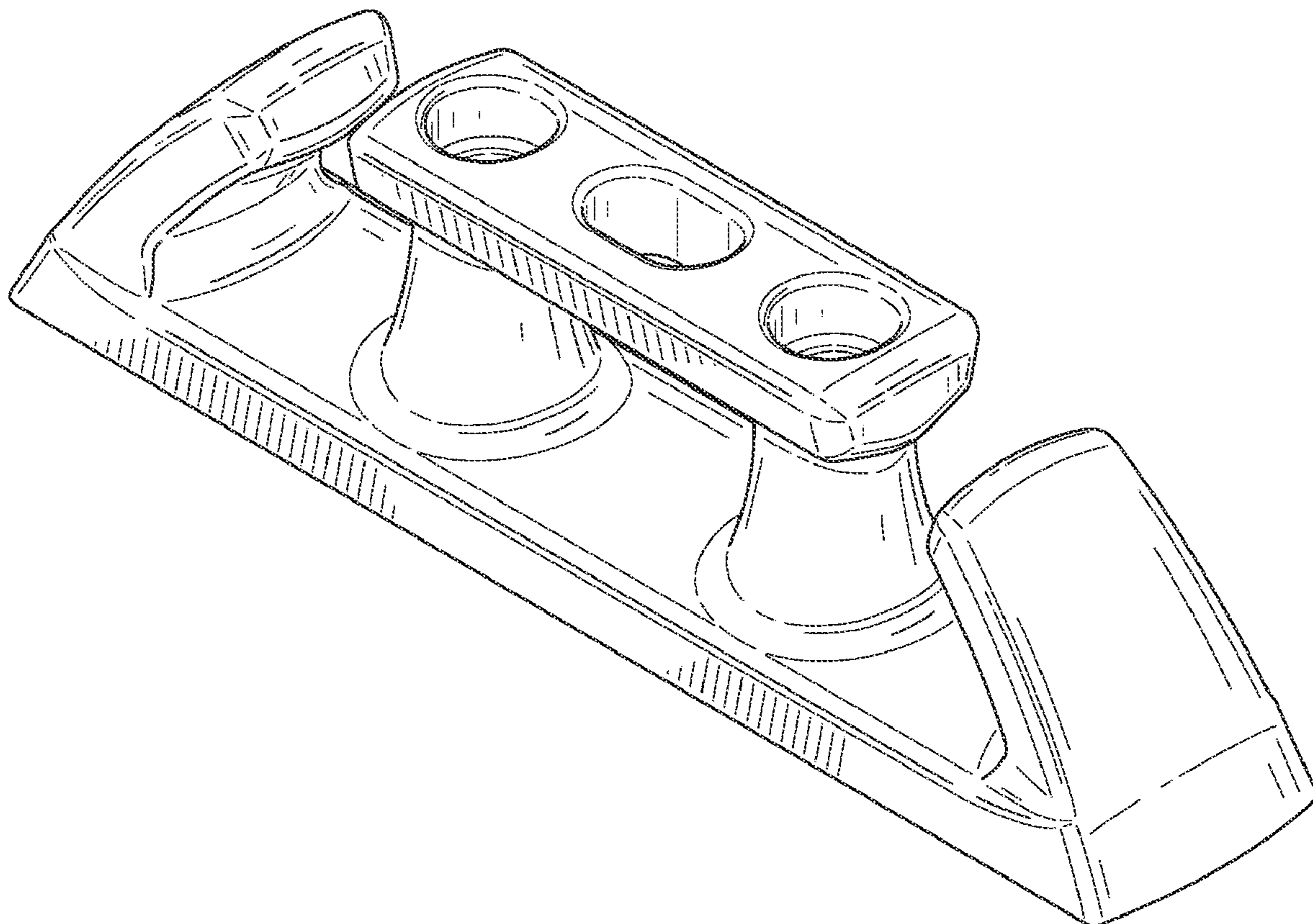
FIG. 3 is a right side elevational view thereof; the left side elevational view being a mirror image thereof;

FIG. 4 is a top view thereof; and,

FIG. 5 is a bottom view thereof.

The broken lines represent portions of the structure that form no part of the claim.

1 Claim, 2 Drawing Sheets



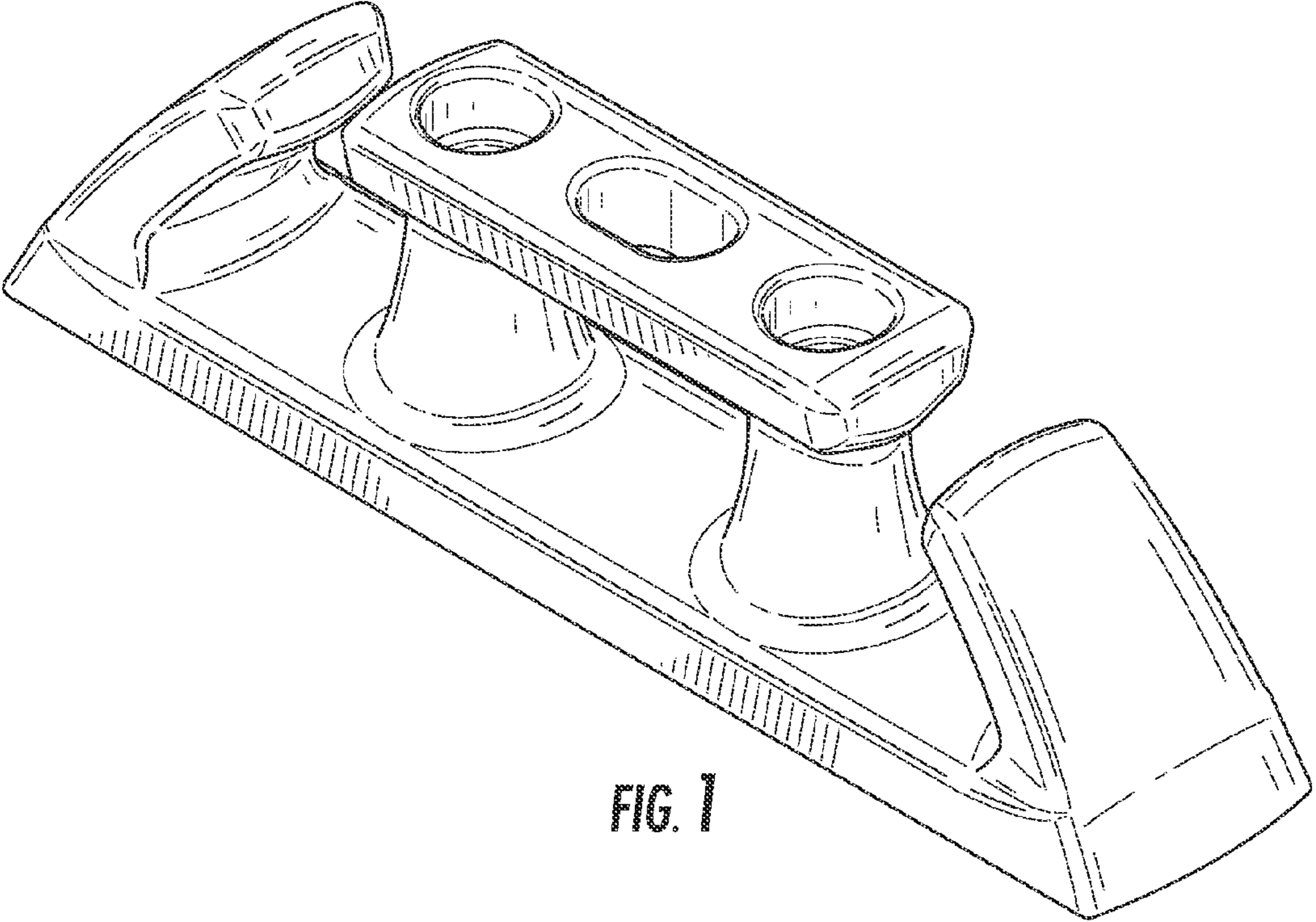


FIG. 1

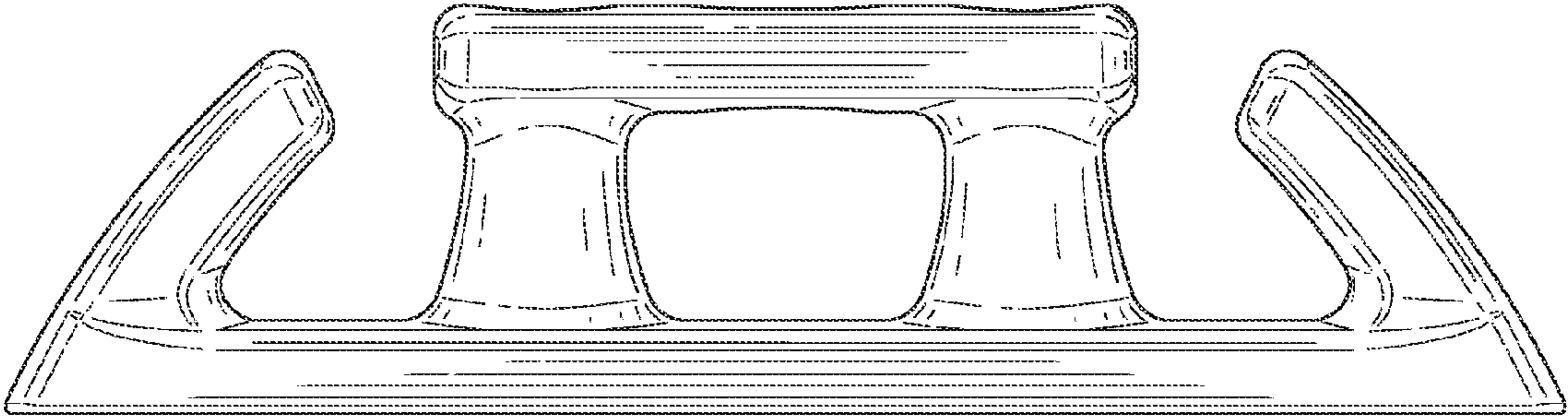


FIG. 2

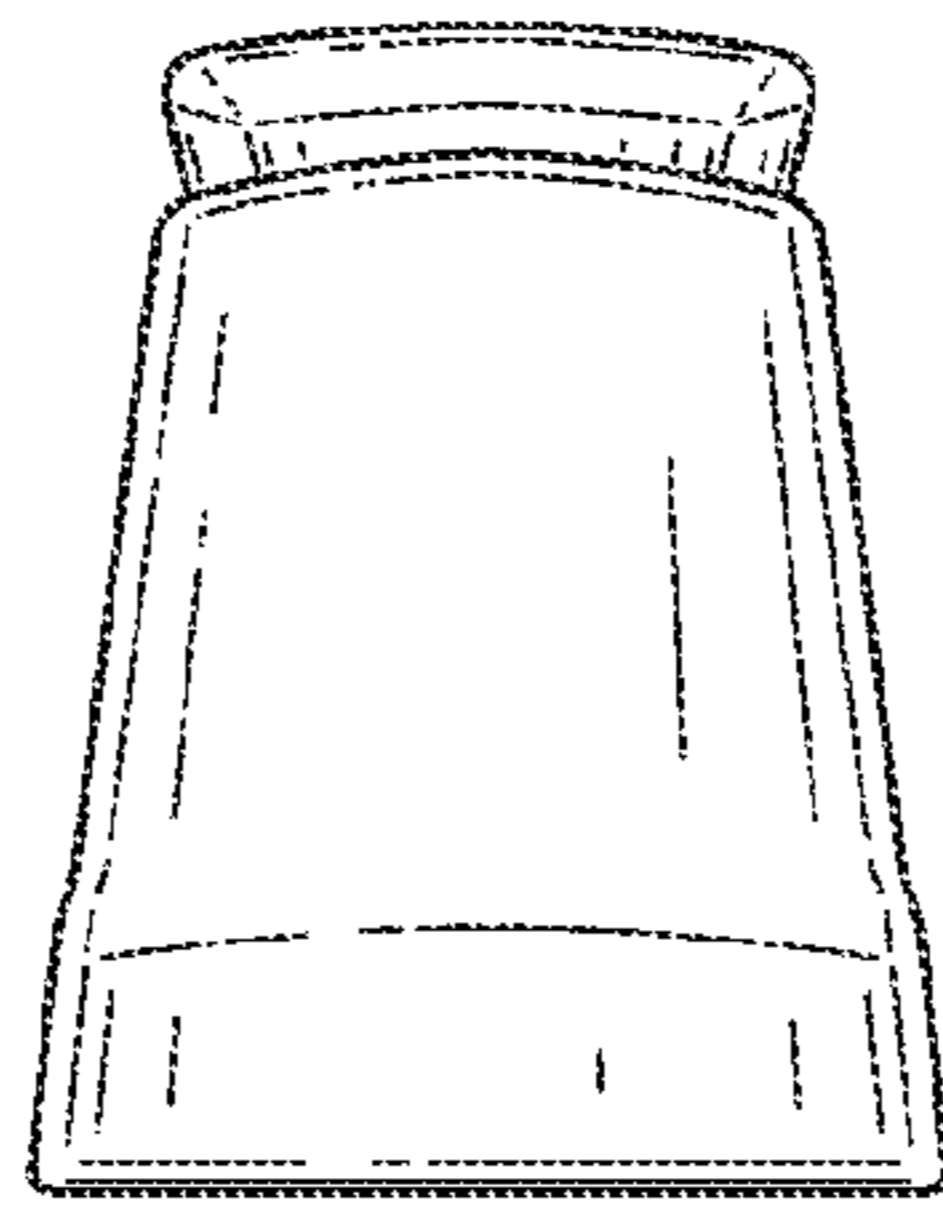


FIG. 3

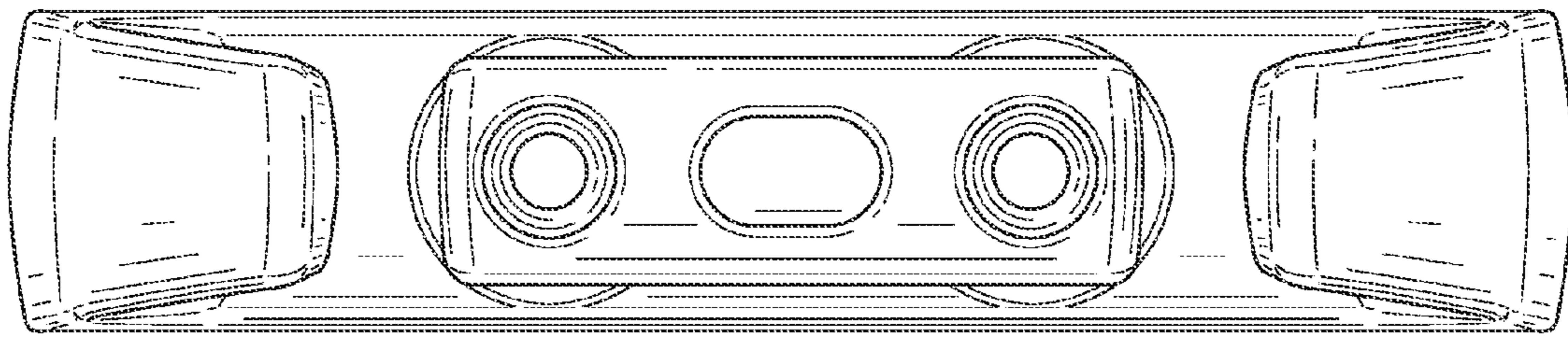


FIG. 4

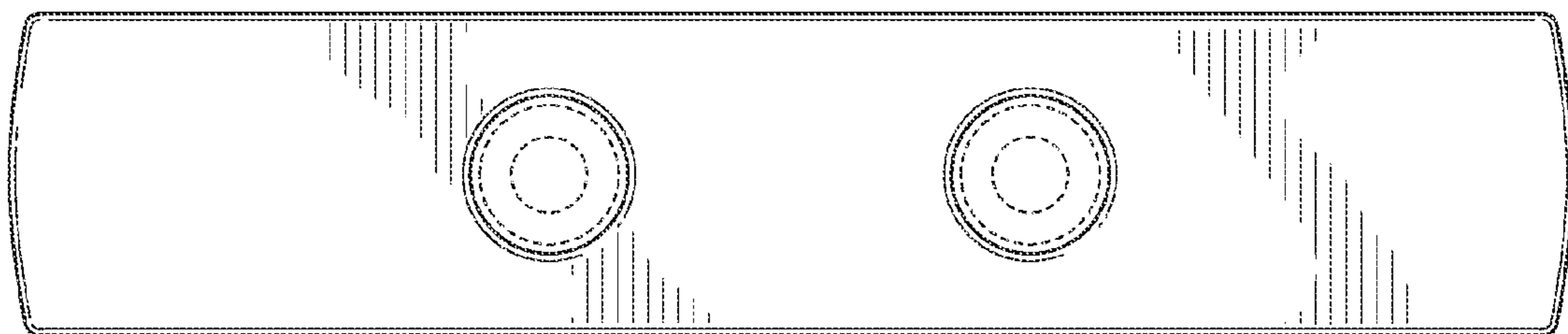


FIG. 5