



US00D630924S

(12) **United States Design Patent**
Steineckert et al.

(10) **Patent No.:** **US D630,924 S**

(45) **Date of Patent:** **** Jan. 18, 2011**

(54) **HAND TOOL**

D521,829 S 5/2006 Yale et al.
7,182,001 B2 * 2/2007 Rivera 81/177.4

(75) Inventors: **Jennefer Ruth Steineckert**, Portland, OR (US); **Benjamin C. Rivera**, Lake Oswego, OR (US)

(Continued)

(73) Assignee: **Leatherman Tool Group, Inc.**, Portland, OR (US)

Primary Examiner—Austin Murphy

(74) *Attorney, Agent, or Firm*—Alston & Bird LLP

(**) Term: **14 Years**

(57) **CLAIM**

(21) Appl. No.: **29/346,851**

The ornamental design for a hand tool, as shown and described.

(22) Filed: **Nov. 6, 2009**

DESCRIPTION

(51) **LOC (9) Cl.** **08-05**

FIG. 1 is a perspective view of a hand tool according to my new design;

(52) **U.S. Cl.** **D8/105**

FIG. 2 is another perspective view thereof;

(58) **Field of Classification Search** D8/99,

FIG. 3 is a left side elevation view thereof;

D8/58, 55, 356, 52, 107, 105; D19/65; 81/440,

FIG. 4 is a right side elevation view thereof;

81/427.5, 177.4; 7/160, 138, 128, 118; 30/298.4,

FIG. 5 is a top plan view thereof;

30/162, 161, 155

FIG. 6 is a bottom plan view thereto;

See application file for complete search history.

FIG. 7 is a front elevation view thereof;

(56) **References Cited**

U.S. PATENT DOCUMENTS

FIG. 8 is a rear elevation view thereof;

D384,872 S 10/1997 Yeh

FIG. 9 is a perspective view of a second embodiment of the hand tool showing my new design;

D392,519 S 3/1998 Hung

FIG. 10 is another perspective view thereof;

D398,209 S 9/1998 Rivera

FIG. 11 is a left side elevation view thereof;

D408,238 S 4/1999 Rivera

FIG. 12 is a right side elevation view thereof;

D414,097 S 9/1999 Berg et al.

FIG. 13 is a top plan view thereof;

D414,387 S 9/1999 Hung

FIG. 14 is a bottom plan view thereto;

D423,893 S 5/2000 Mackin et al.

FIG. 15 is a front elevation view thereof; and,

D445,326 S 7/2001 Alfaro

FIG. 16 is a rear elevation view thereof.

6,276,063 B1 * 8/2001 Chen 30/161

The broken lines immediately adjacent the shaded areas represent bounds of the claimed design and environment while all other broken lines are directed to environment and are for illustrative purposes only. The broken lines form no part of the claimed design.

D454,044 S 3/2002 Alfaro

D467,783 S * 12/2002 Onion D8/107

D476,546 S 7/2003 Ping

6,622,328 B2 * 9/2003 Rivera 7/128

D481,289 S * 10/2003 Dallas D8/105

6,675,419 B2 1/2004 Rivera

D497,532 S 10/2004 Rivera et al.

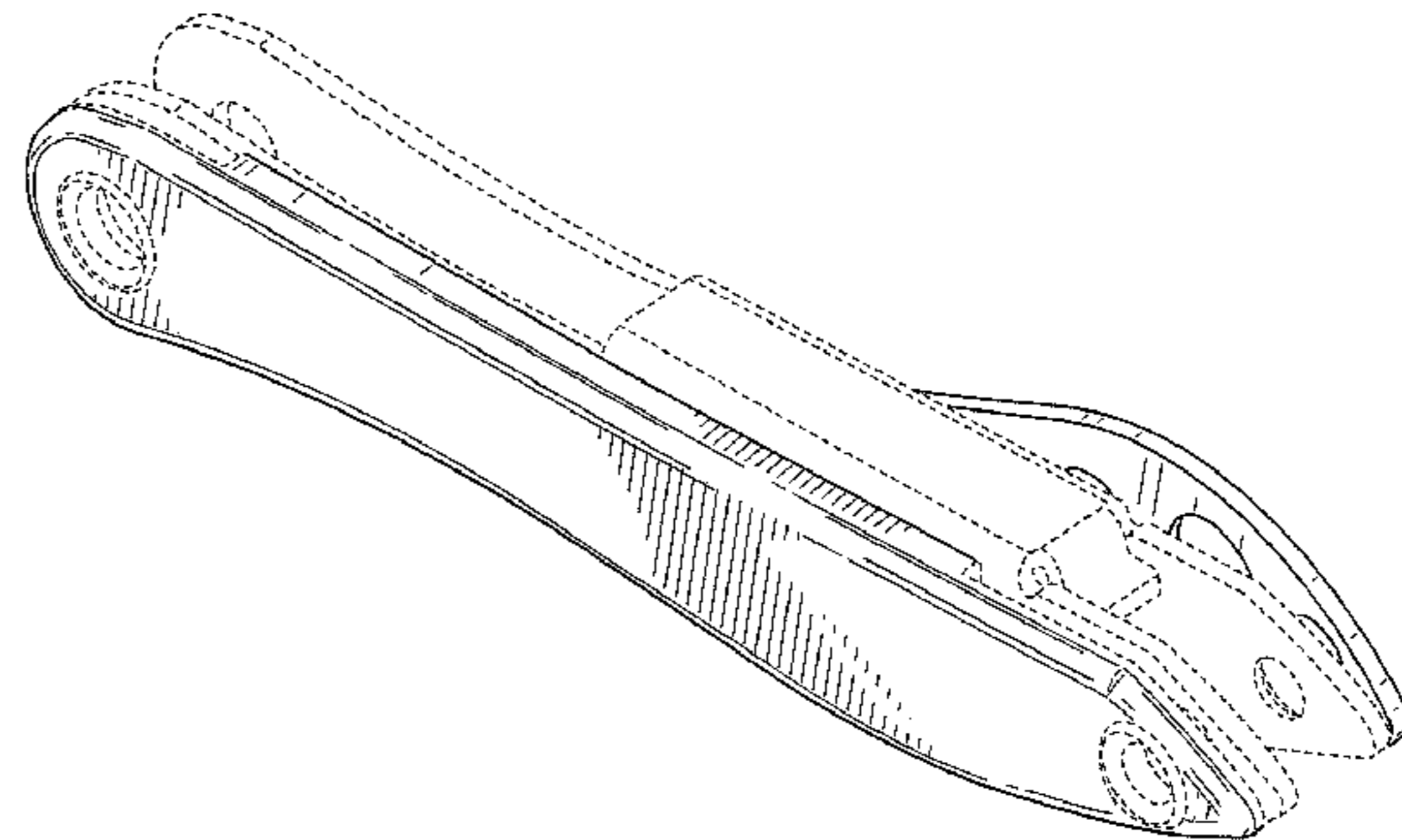
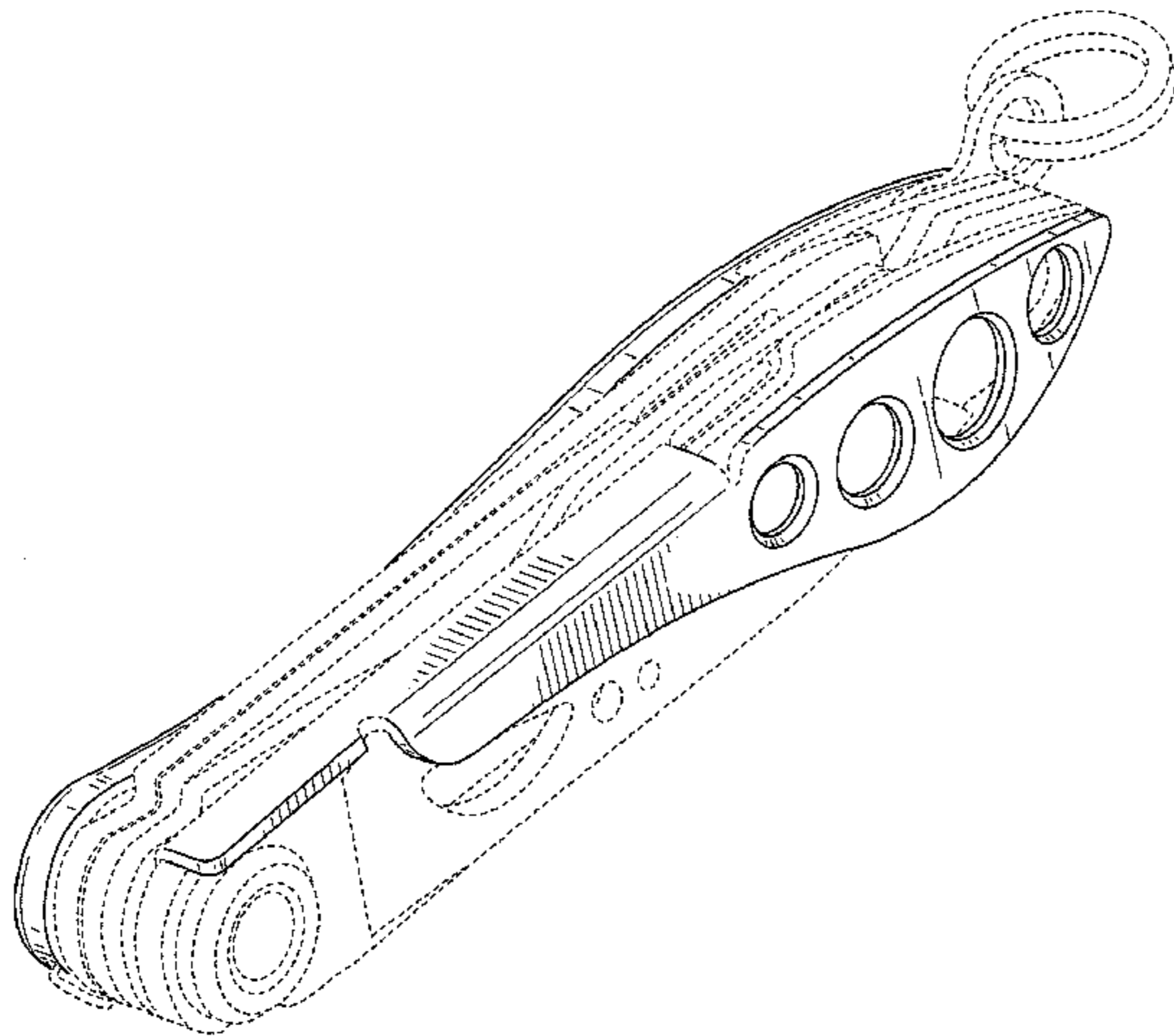
D497,790 S 11/2004 Rivera et al.

D499,622 S 12/2004 Rivera et al.

D505,057 S * 5/2005 Ralph D8/99

D509,125 S 9/2005 Ping

1 Claim, 10 Drawing Sheets



US D630,924 S

Page 2

U.S. PATENT DOCUMENTS

D541,618 S	5/2007	Klecker		D600,527 S *	9/2009	Nyssen et al.	D8/105
D542,107 S	5/2007	Yale et al.		D600,528 S *	9/2009	Nyssen et al.	D8/105
D543,084 S	5/2007	Yale		7,607,231 B2	10/2009	Klecker et al.		
D553,467 S *	10/2007	Ryan	7,676,931 B2	3/2010	Knight et al.		
D557,100 S *	12/2007	Stokes et al.	7,712,399 B2 *	5/2010	Nenadic	81/427.5
D568,710 S *	5/2008	Klecker et al.	2002/0059730 A1 *	5/2002	Flavigny	30/161
D571,181 S	6/2008	Klecker et al.		2005/0097755 A1	5/2005	Galyean et al.		
D573,437 S *	7/2008	Nenadic	2006/0096035 A1	5/2006	Ocklenburg		
D573,865 S *	7/2008	Klecker et al.	2006/0260137 A1	11/2006	Flagg et al.		
7,437,822 B2	10/2008	Flagg et al.		2007/0101508 A1	5/2007	Quenzi		
D591,570 S	5/2009	Lee et al.		2007/0124940 A1	6/2007	Hawk et al.		
D592,931 S	5/2009	Nenadic		2008/0163433 A1	7/2008	Nenadic		
D595,104 S *	6/2009	Goodrich	2008/0263777 A1	10/2008	Rivera		
D596,911 S	7/2009	Carpenter et al.		2009/0090225 A1	4/2009	Nenadic		
D600,080 S	9/2009	Liu		2010/0122420 A1	5/2010	Nason et al.		

* cited by examiner

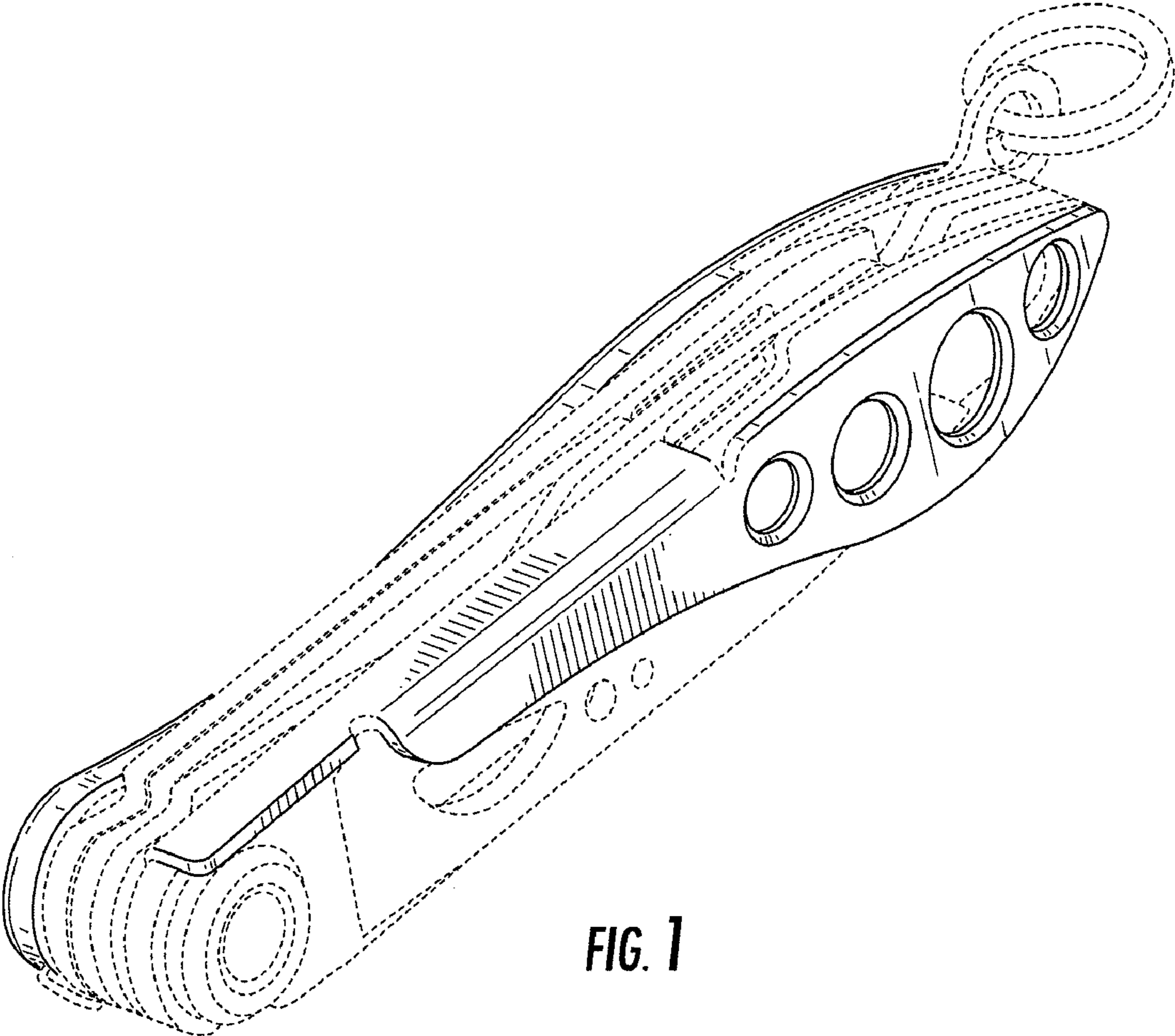


FIG. 1

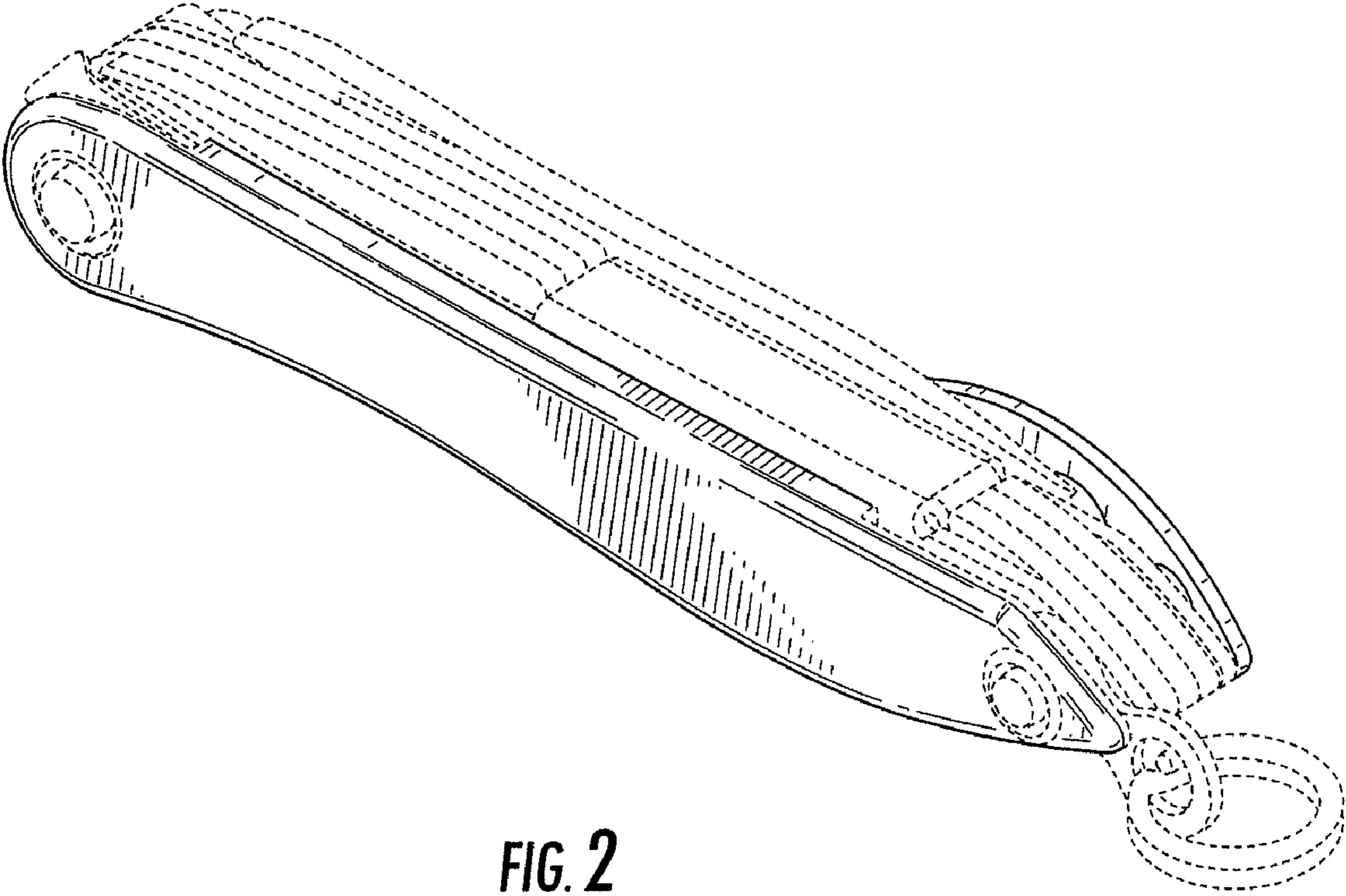


FIG. 2

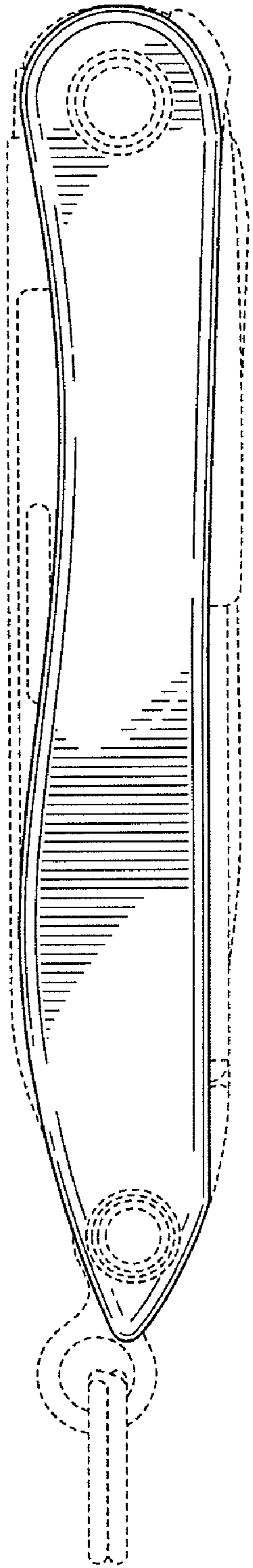


FIG. 3

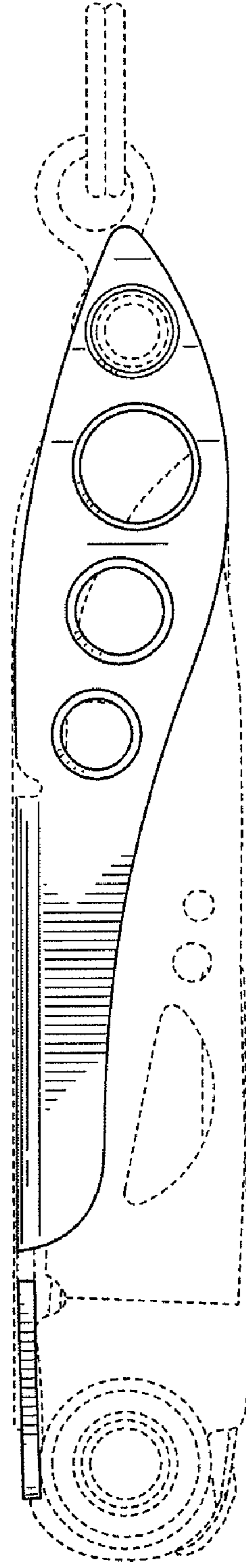


FIG. 4

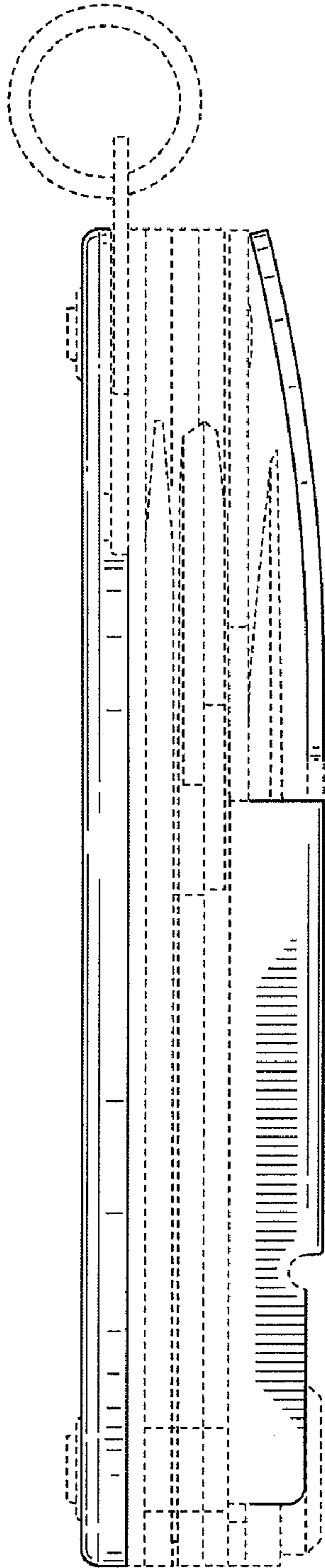


FIG. 5

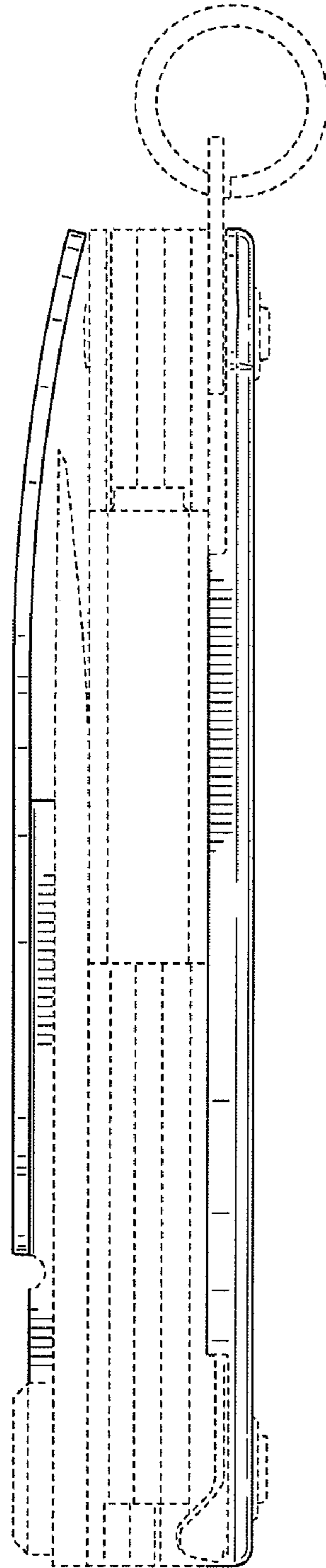


FIG. 6

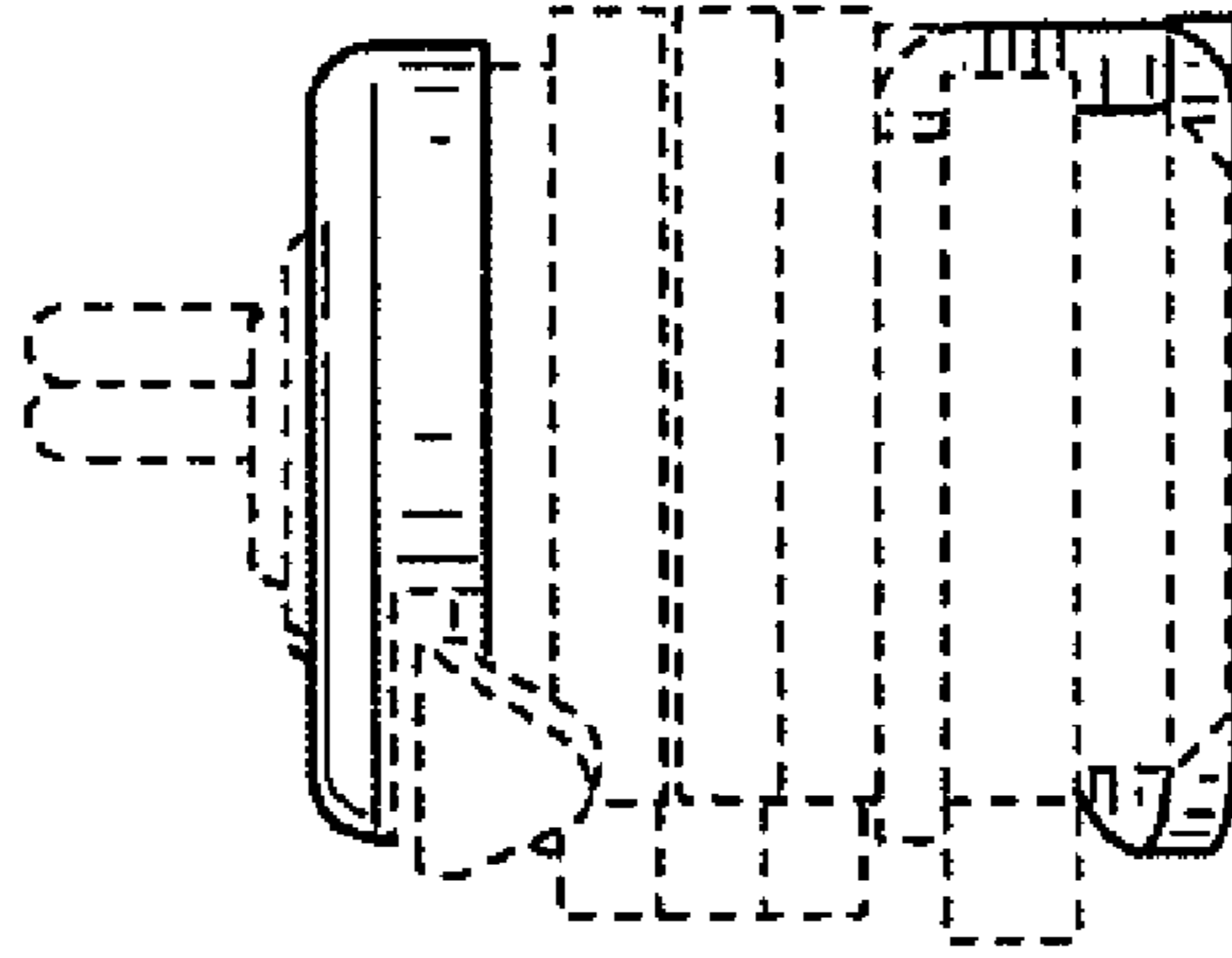


FIG. 7

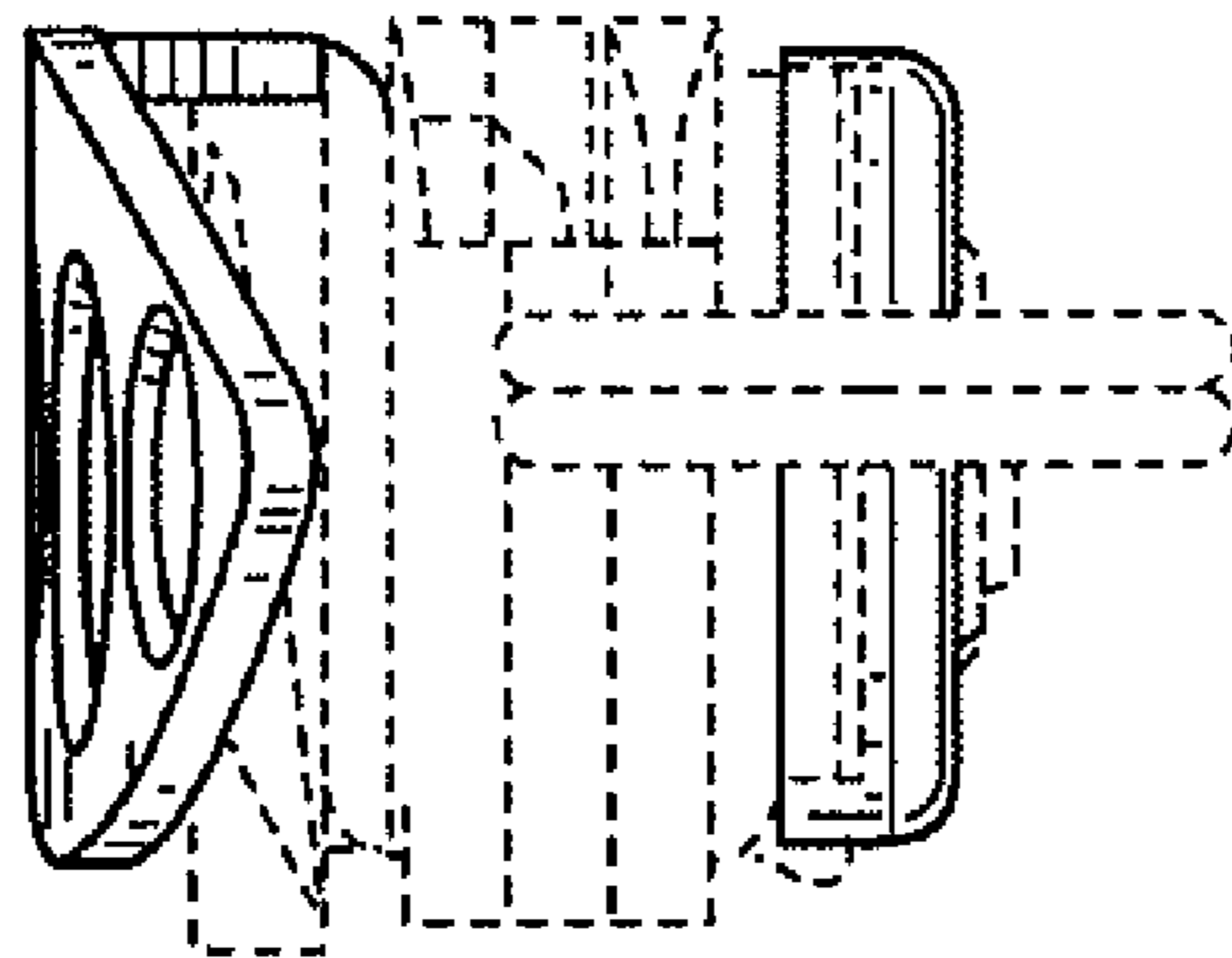


FIG. 8

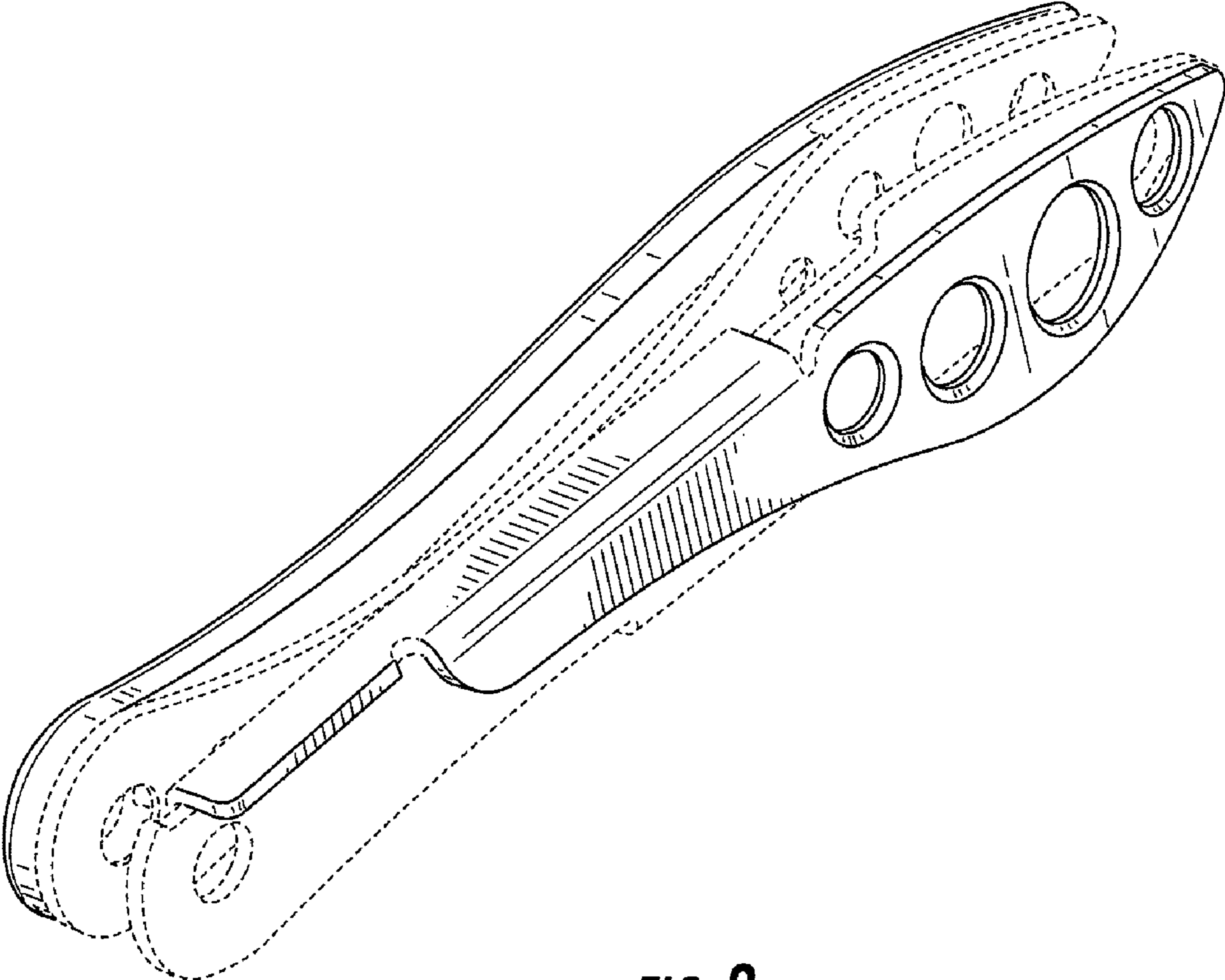


FIG. 9

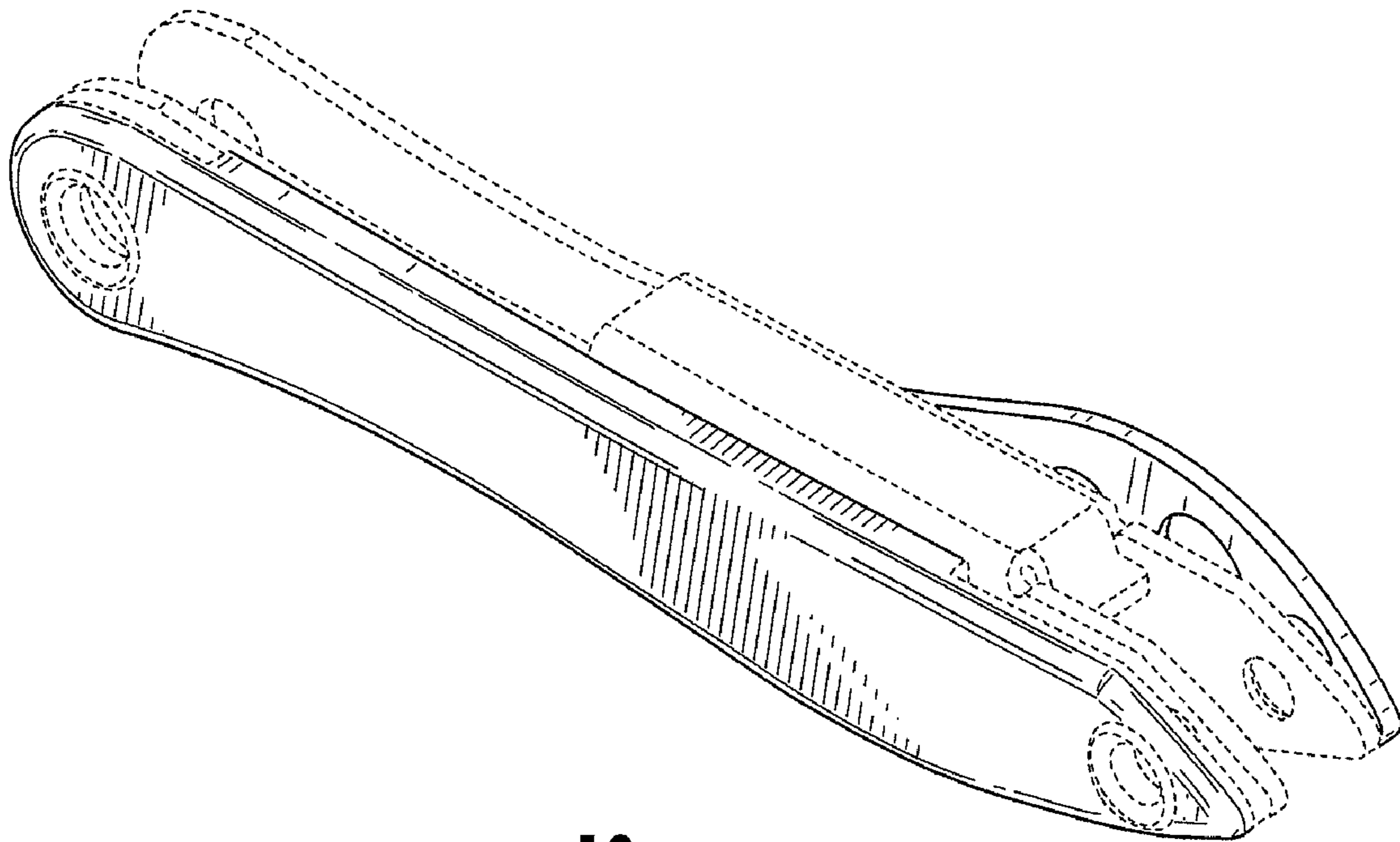


FIG. 10

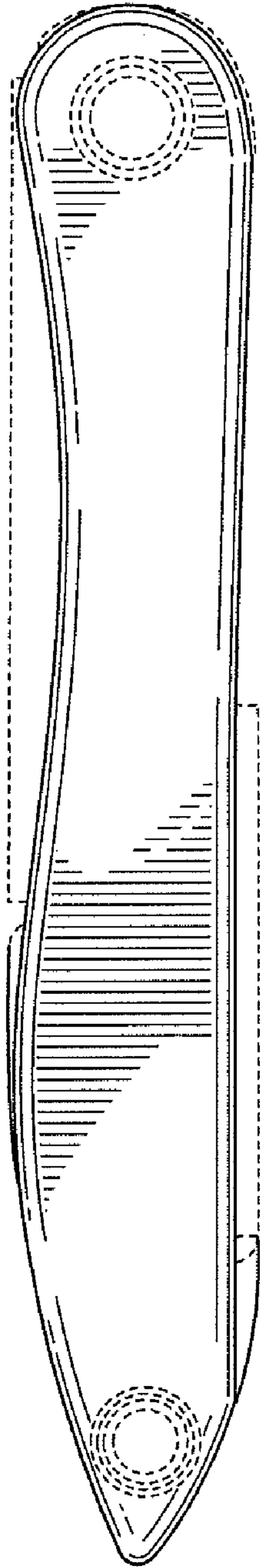


FIG. 11

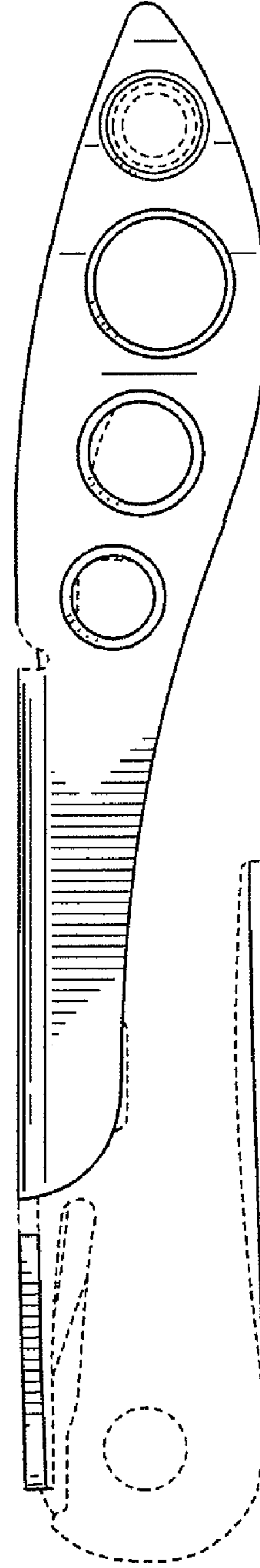


FIG. 12

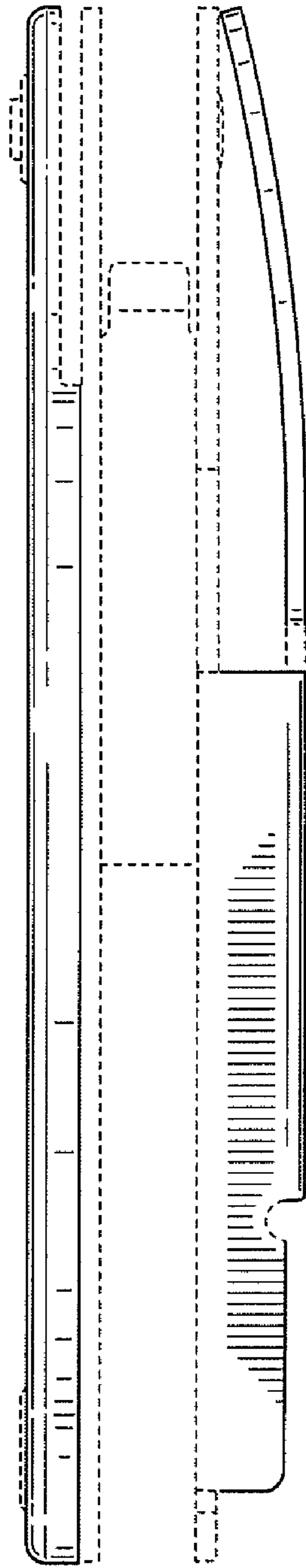


FIG. 13

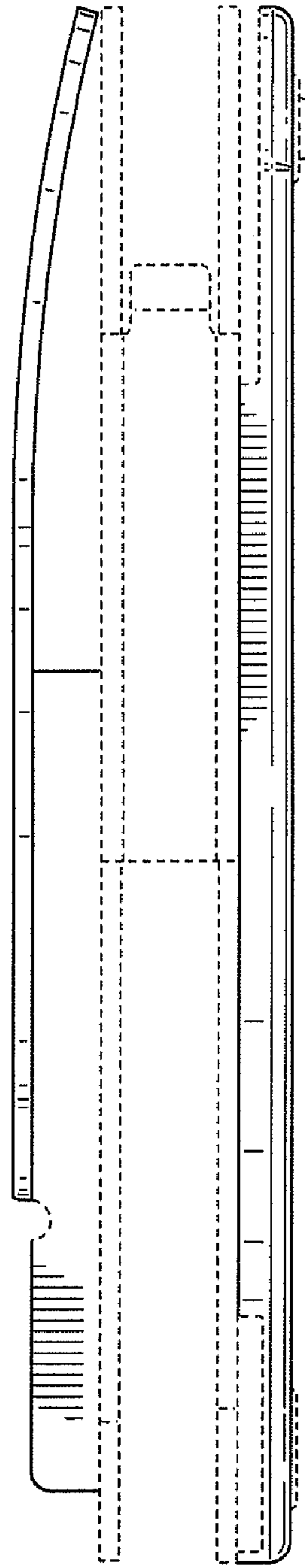


FIG. 14

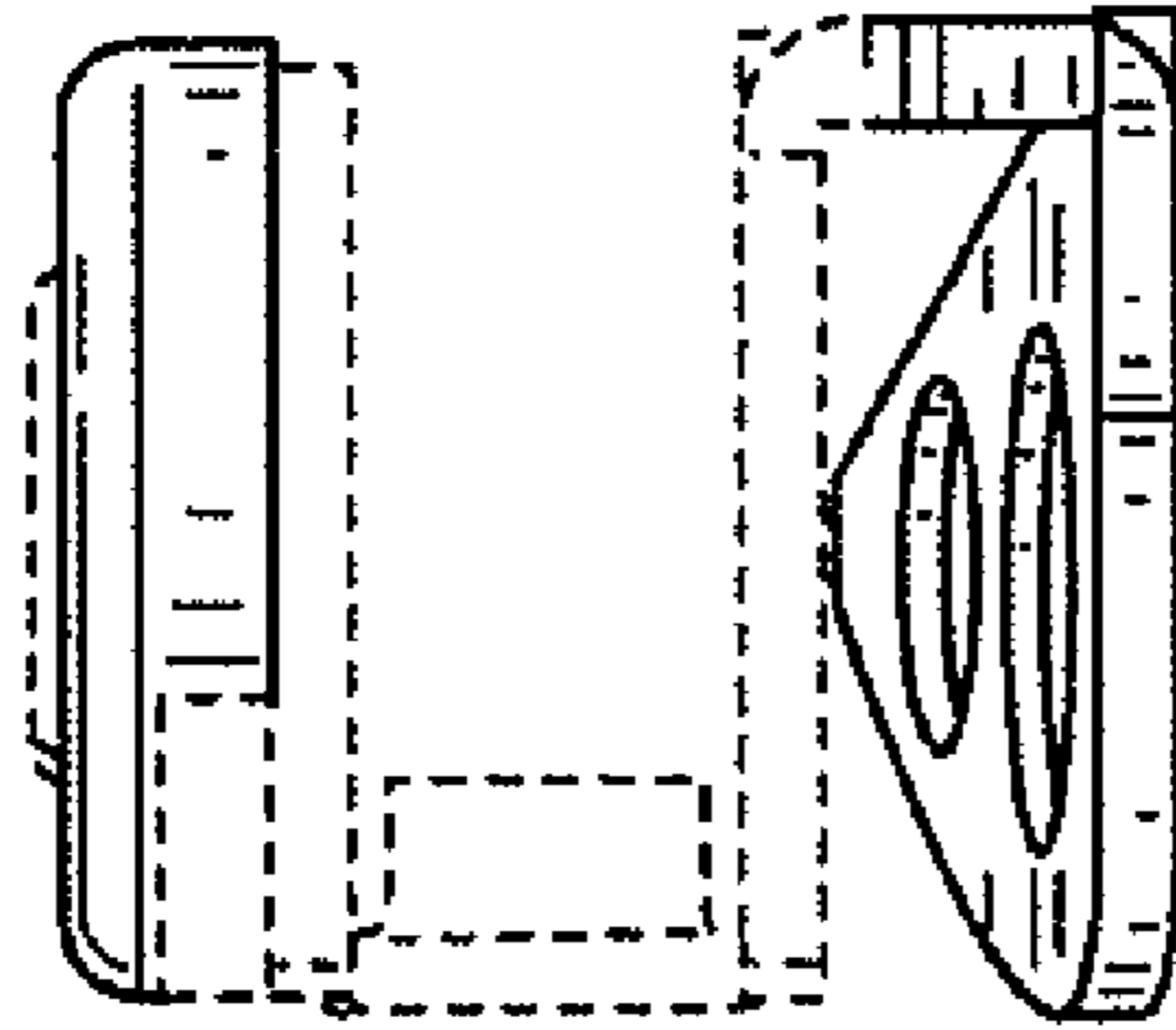


FIG. 15

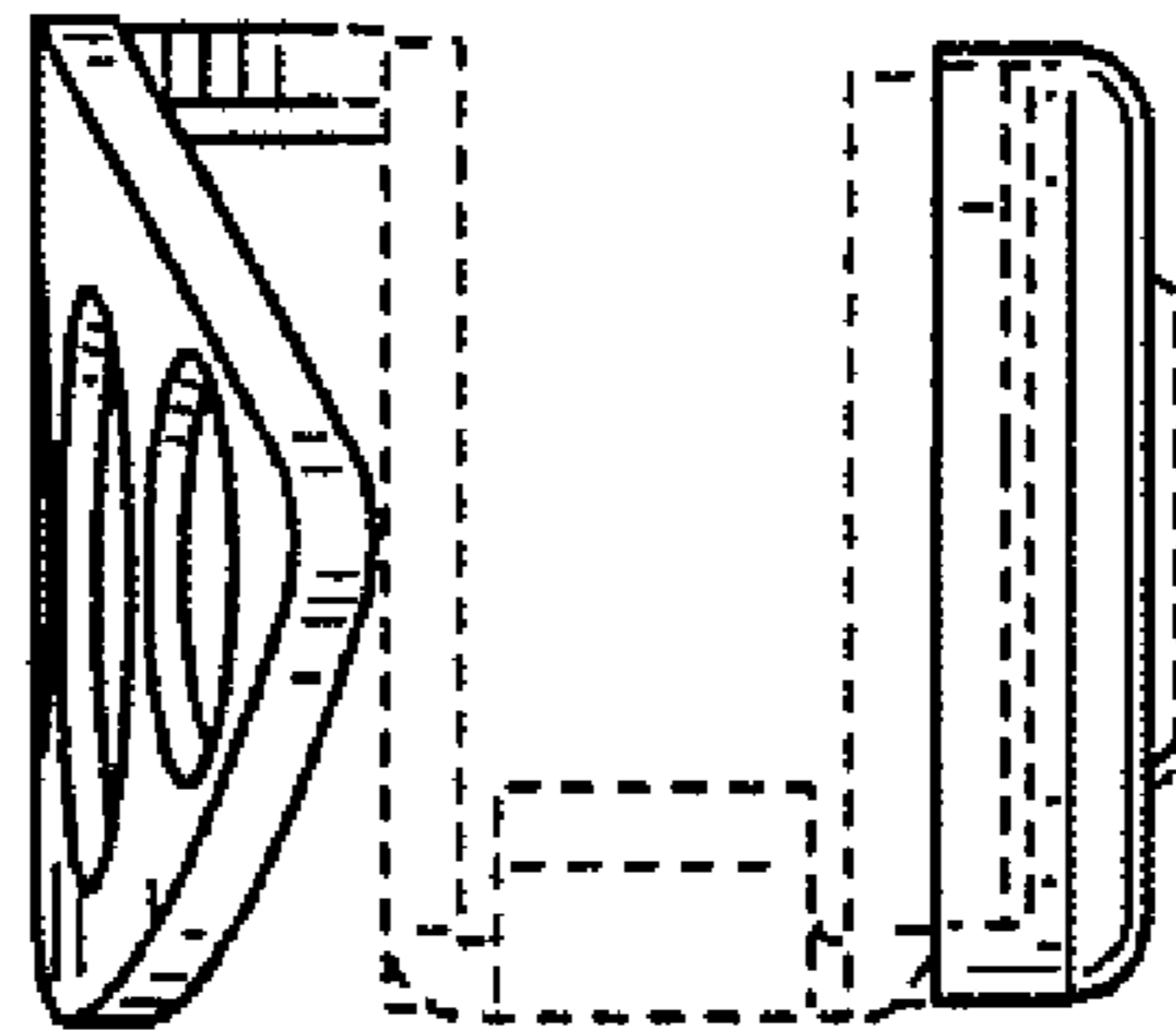


FIG. 16