



US00D630921S

(12) **United States Design Patent**  
**Wallimann-Durrer et al.**

(10) **Patent No.:** **US D630,921 S**

(45) **Date of Patent:** **\*\* Jan. 18, 2011**

(54) **HEATING ELEMENT**

(75) Inventors: **Leo Wallimann-Durrer**, Alpnachstad (CH); **Hans Arnold**, Alpnach (CH)

(73) Assignee: **Leister Process Technologies**, Kagiswil (CH)

(\*\*) Term: **14 Years**

(21) Appl. No.: **29/335,549**

(22) Filed: **Apr. 17, 2009**

(30) **Foreign Application Priority Data**

Jan. 26, 2009 (EM) ..... 001074975

(51) **LOC (9) Cl.** ..... **08-05**

(52) **U.S. Cl.** ..... **D8/29.1**

(58) **Field of Classification Search** ..... D8/29.1,  
D8/29.2, 30, 51; 392/379, 383, 384; 219/221,  
219/225, 117, 228, 229, 200, 205, 601, 635,  
219/638, 642; 294/49, 54.5

See application file for complete search history.

(56) **References Cited**

**U.S. PATENT DOCUMENTS**

D322,742 S \* 12/1991 Spratt ..... D8/29.1

D436,507 S \* 1/2001 Cheng ..... D8/29.1  
D457,407 S \* 5/2002 Pretzell ..... D8/29.1  
7,311,779 B2 \* 12/2007 Nguyen et al. .... 118/52  
7,361,865 B2 \* 4/2008 Maki et al. .... 219/444.1  
7,385,162 B2 \* 6/2008 Ryu et al. .... 219/601  
7,480,129 B2 \* 1/2009 Brown et al. .... 361/234  
7,521,687 B2 \* 4/2009 Fuse et al. .... 250/396 R  
7,637,308 B2 \* 12/2009 Hofer-Noser et al. .... 165/47  
D612,512 S \* 3/2010 Stevens et al. .... D24/218  
7,722,927 B2 \* 5/2010 Shtein et al. .... 427/255.6

\* cited by examiner

*Primary Examiner*—Prabhakar Deshmukh

(74) *Attorney, Agent, or Firm*—Bachman & LaPointe, P.C.

(57) **CLAIM**

The ornamental design for a heating element, as shown and described.

**DESCRIPTION**

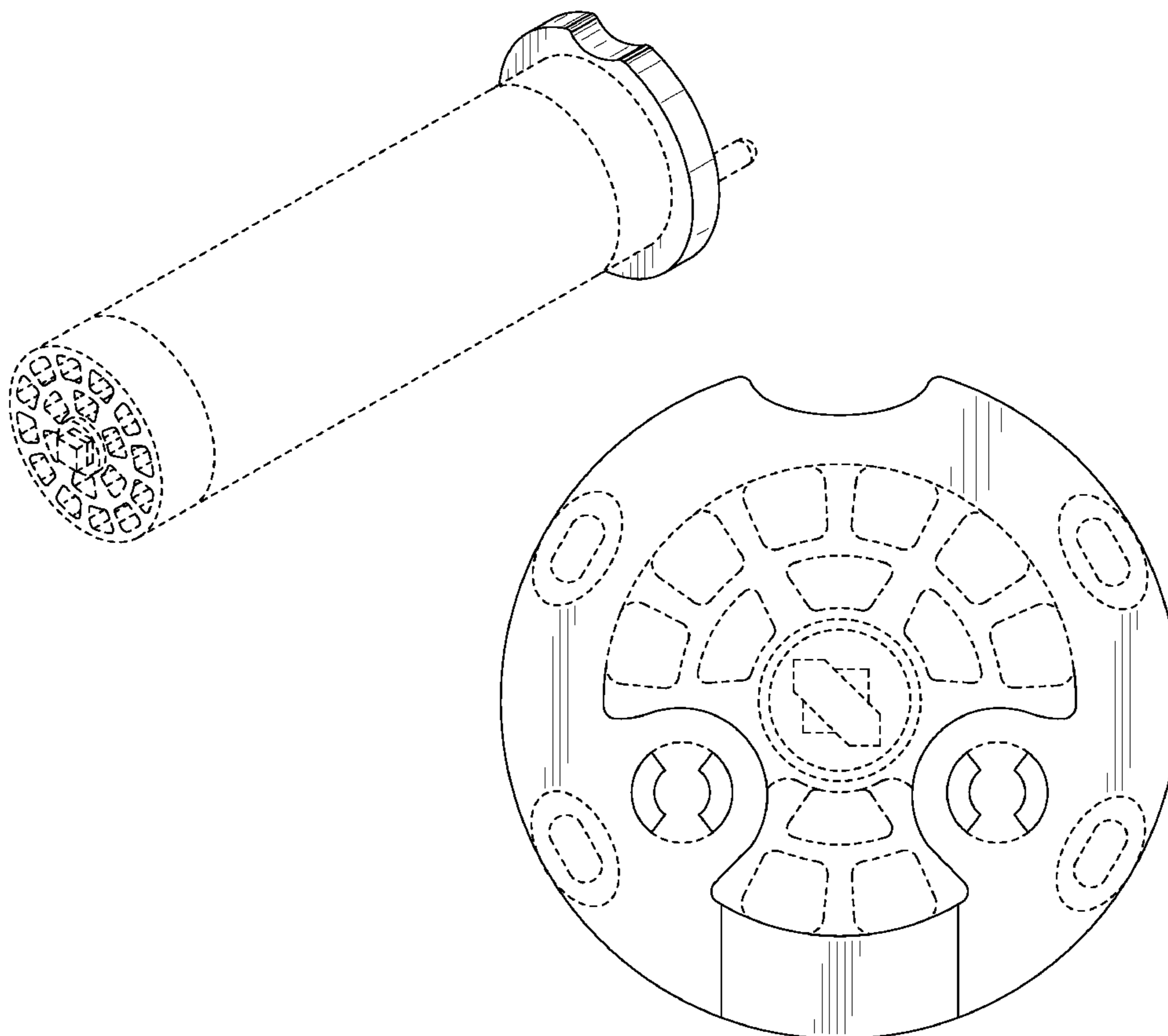
FIG. 1 is a perspective view of a heating element showing our new design;

FIG. 2 is a rear perspective view thereof;

FIG. 3 is a top plan view thereof; and,

FIG. 4 is an enlarged rear elevational view thereof.

**1 Claim, 4 Drawing Sheets**



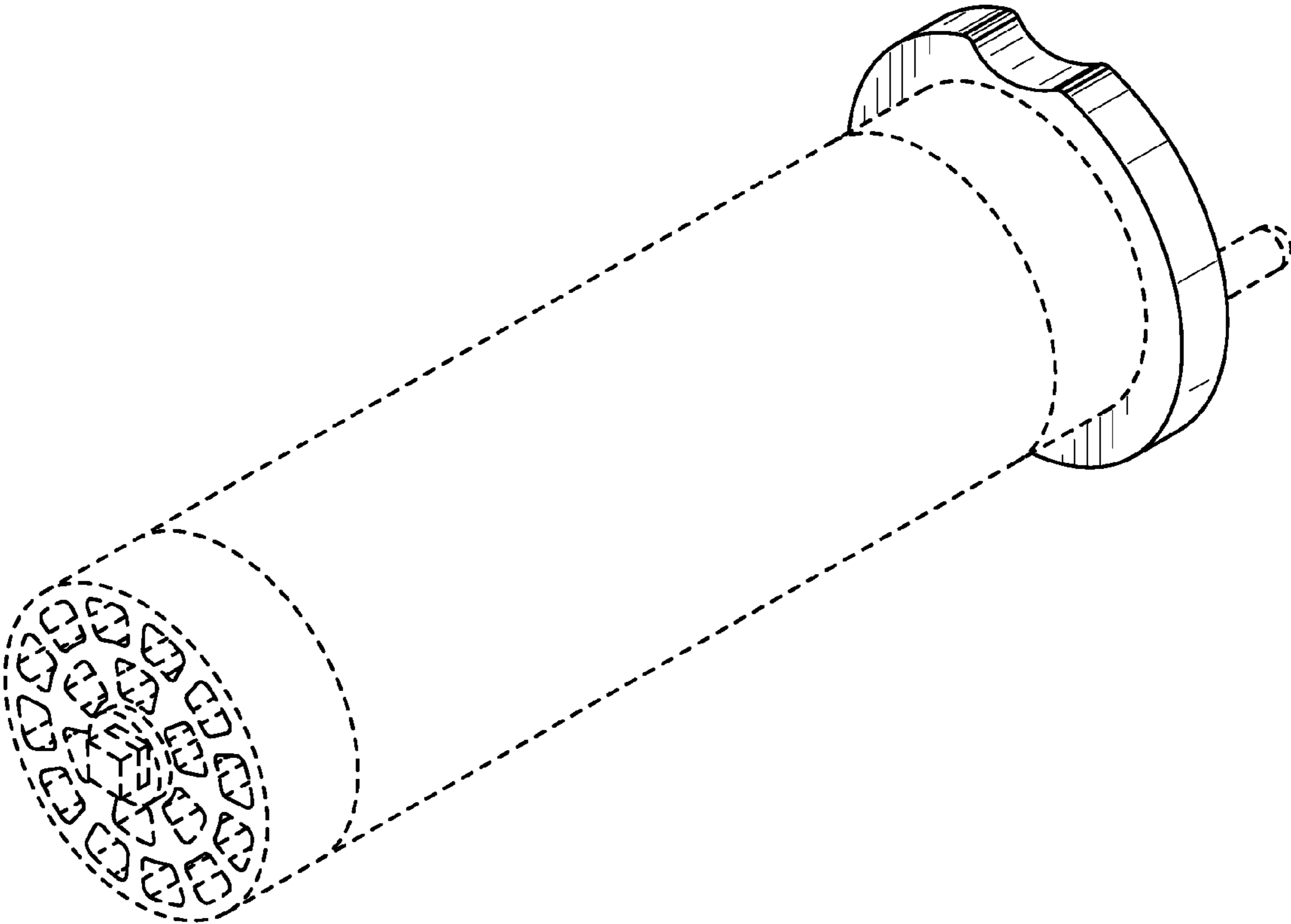


FIG. 1

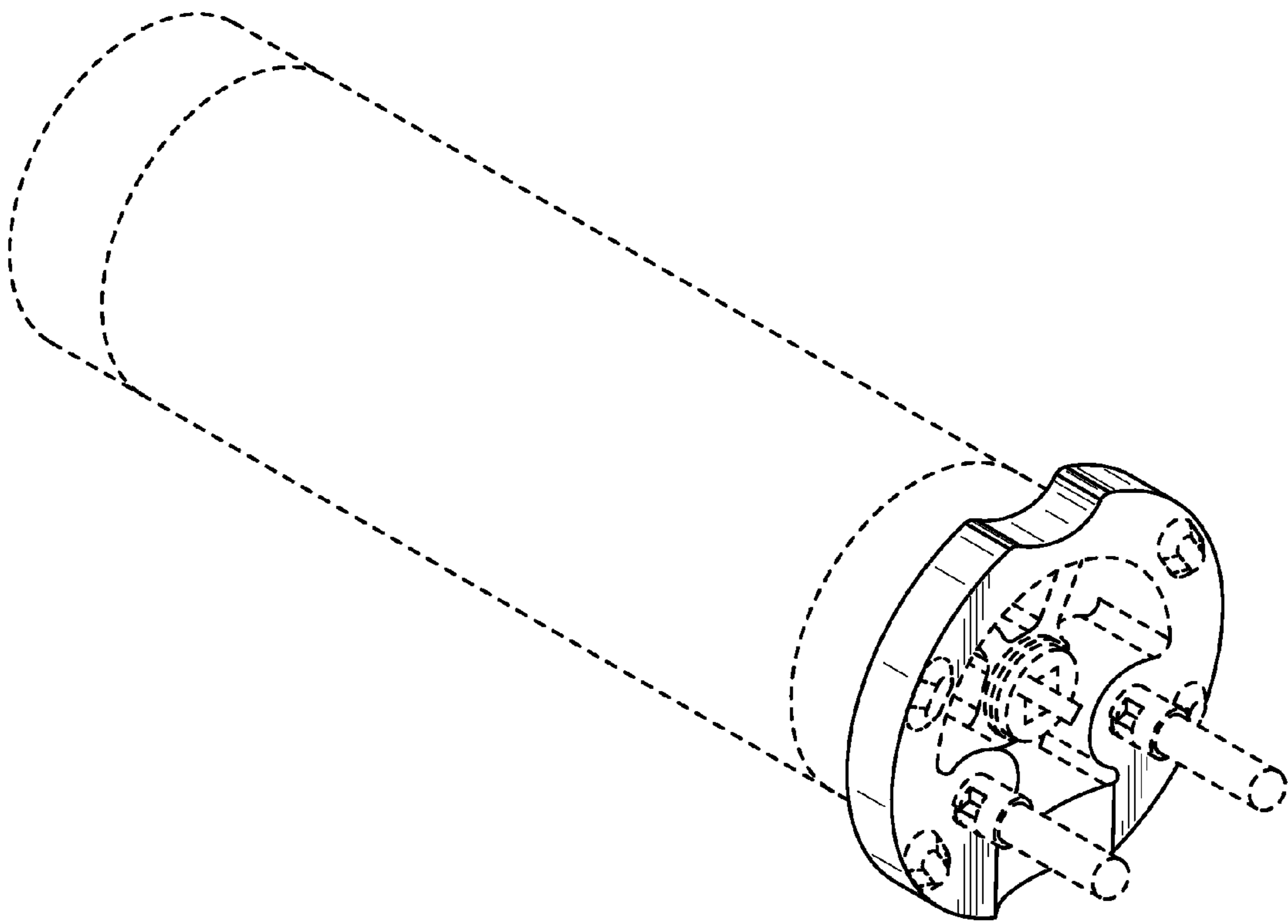


FIG. 2

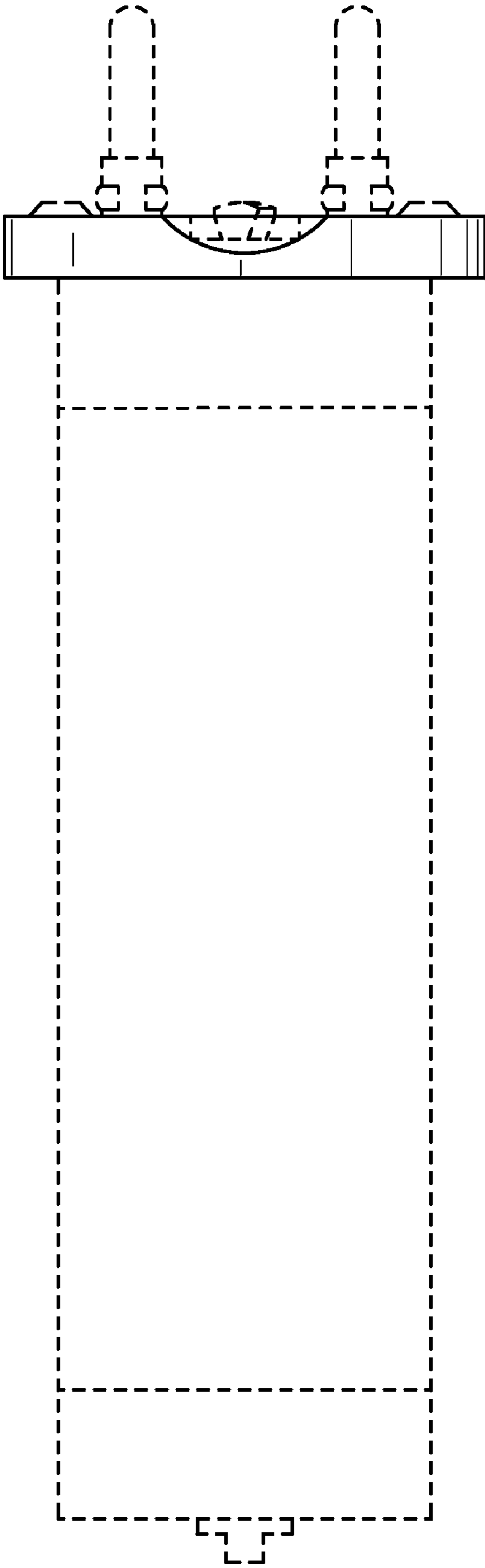
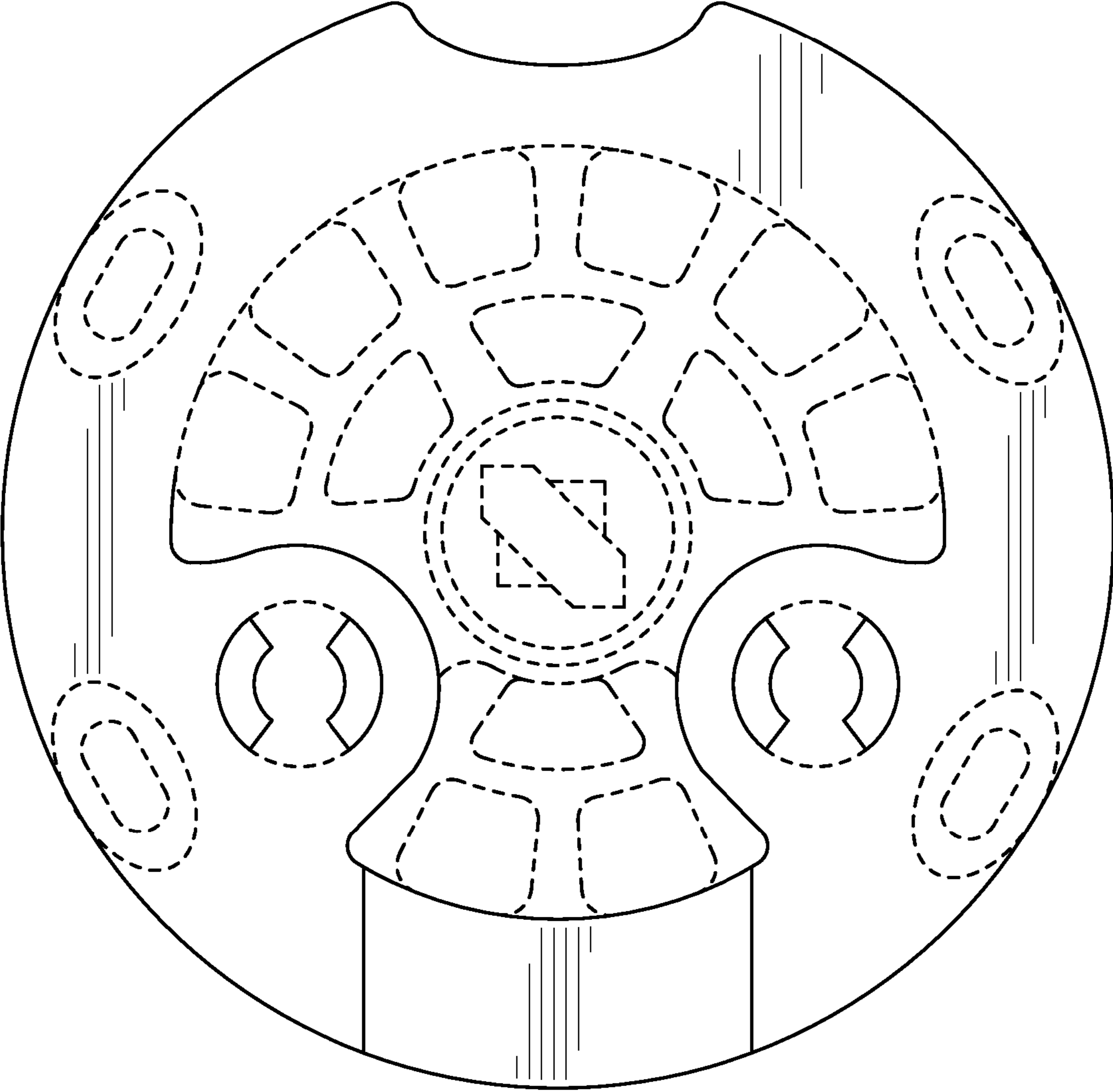


FIG. 3



**FIG. 4**