



US00D630918S

(12) **United States Design Patent**  
**Johnson et al.**

(10) **Patent No.:** **US D630,918 S**  
(45) **Date of Patent:** **\*\* Jan. 18, 2011**

(54) **UNIVERSAL RATCHETING TOOL**

(75) Inventors: **Ronald L. Johnson**, San Jose, CA (US);  
**Robert J. Gallegos**, Fremont, CA (US);  
**Steven Simas Escobar**, San Jose, CA  
(US); **Anders Scot Hudson**, Campbell,  
CA (US); **Idriss Mansouri-Chafik**  
**Ruiz**, San Jose, CA (US); **Yugen**  
**Patrick Lockhart**, Palo Alto, CA (US);  
**Howard Allen Wilson**, Santa Clara, CA  
(US); **Eric M. Colton**, Torrance, CA  
(US)

1,753,026 A 4/1930 Rosati  
1,888,222 A 11/1932 Curtis et al.  
2,332,656 A 10/1943 Mirando ..... 30/22  
2,346,364 A 4/1944 Dowe ..... 279/83  
D142,982 S 11/1945 Bloomfield  
2,409,613 A 10/1946 Brooks ..... 306/32  
2,410,971 A 11/1946 Hartley

(Continued)

FOREIGN PATENT DOCUMENTS

(73) Assignee: **Wagic, Inc.**, Los Gatos, CA (US)

CA 1 147 176 5/1983

(\*\*) Term: **14 Years**

(21) Appl. No.: **29/294,574**

(Continued)

(22) Filed: **Jan. 17, 2008**

*Primary Examiner*—Raphael Barkai  
*Assistant Examiner*—Randall Gholson

(51) **LOC (9) Cl.** ..... **08-05**

(52) **U.S. Cl.** ..... **D8/25**

(58) **Field of Classification Search** ..... D8/21–29,  
D8/51, 83, 84, 10, 300, 313; 81/177.1, 177.3,  
81/177.4, 177.85; D7/394; D15/17, 18;  
16/110.1, 111.1, 422, 430

(74) *Attorney, Agent, or Firm*—Haverstock & Owens LLP

See application file for complete search history.

(57) **CLAIM**

We claim the ornamental design for a universal ratcheting tool, as shown and described.

(56) **References Cited**

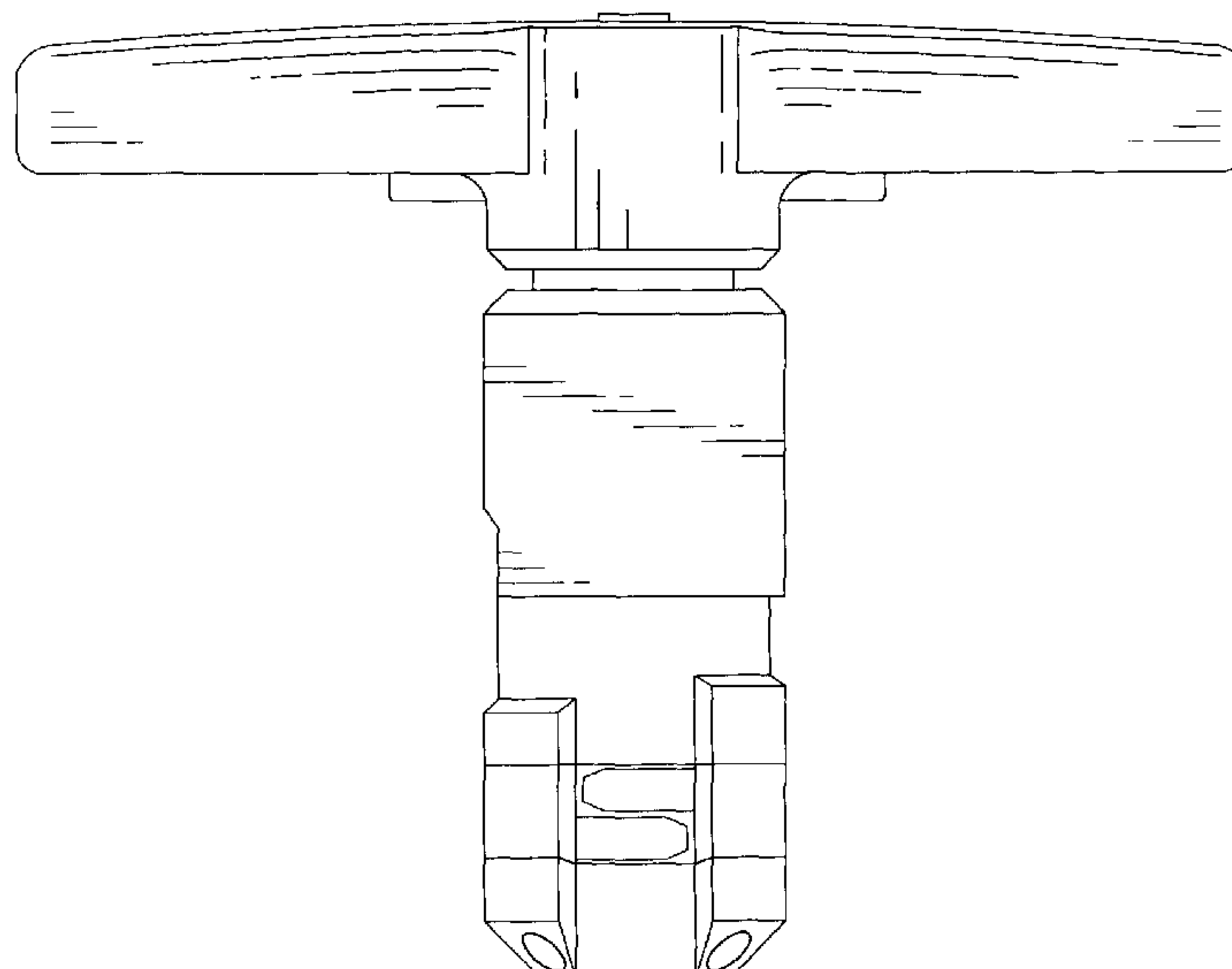
**DESCRIPTION**

U.S. PATENT DOCUMENTS

244,309 A 7/1881 Rhodes  
647,528 A 4/1900 Schmidt  
873,363 A 12/1907 Ross  
1,000,900 A 8/1911 Dorsey  
1,172,656 A 2/1916 Yorgensen  
1,337,769 A 4/1920 Hemming  
1,398,583 A 11/1921 Bovee  
1,500,852 A 7/1924 Shepard  
1,530,905 A 3/1925 Nance  
1,559,097 A 10/1925 Hill

FIG. 1 is a front view of the universal ratcheting tool;  
FIG. 2 is a back view of the universal ratcheting tool;  
FIG. 3 is a left side view of the universal ratcheting tool;  
FIG. 4 is a right side view of the universal ratcheting tool;  
FIG. 5 is a bottom view of the universal ratcheting tool;  
FIG. 6 is a top view of the universal ratcheting tool; and,  
FIG. 7 is a perspective view of the universal ratcheting tool.

**1 Claim, 7 Drawing Sheets**



# US D630,918 S

Page 2

U.S. PATENT DOCUMENTS					
2,465,619 A	3/1949	Veit ..... 306/32	5,147,038 A	9/1992	Pergeau
2,475,268 A	7/1949	Wittle ..... 279/14	D333,769 S	3/1993	Jureckson ..... D8/71
D156,677 S	12/1949	Smith ..... D17/14	D334,516 S	4/1993	Tsunoda ..... D8/29
D157,154 S	2/1950	Horton ..... D58/11	D339,048 S	9/1993	Baum ..... D8/107
2,512,967 A	6/1950	Quiron ..... 145/50	5,263,389 A	11/1993	Frazell et al. .... 81/124.3
2,530,024 A	11/1950	Moody ..... 206/17	5,265,504 A	11/1993	Fruhm ..... 81/439
2,532,636 A	12/1950	Minnich ..... 206/16	D342,433 S	12/1993	Sorenson ..... D8/107
2,569,069 A	9/1951	Motel ..... 145/50	5,271,300 A	12/1993	Zurbuchen et al. .... 81/124.4
2,593,828 A	4/1952	Arey ..... 81/177	D343,106 S	1/1994	Eklind et al. .... D8/71
D175,056 S	6/1955	Wilson	5,295,422 A	3/1994	Chow
2,715,028 A	8/1955	Dossie ..... 279/9	5,320,004 A	6/1994	Hsiao ..... 81/440
2,719,042 A	9/1955	Epsy ..... 279/9	5,329,834 A	7/1994	Wong ..... 81/58.3
2,800,816 A *	7/1957	Tasciotti ..... 81/120	D359,671 S	6/1995	Acosta
2,804,970 A	9/1957	Kuc et al. .... 206/16	5,450,774 A	9/1995	Chang ..... 81/440
2,842,020 A	7/1958	Tarquinio ..... 81/177	5,450,775 A	9/1995	Kozak ..... 81/440
2,844,244 A	7/1958	Hanson	5,461,950 A	10/1995	Iwinski
2,854,741 A	10/1958	Cholger	5,495,942 A	3/1996	Izhak ..... 206/372
2,878,701 A	3/1959	Weersma	5,499,560 A	3/1996	Aeschliman
3,023,054 A	2/1962	Shigekuni	5,499,562 A	3/1996	Feng ..... 81/177.4
3,061,927 A	11/1962	Von Frankenberg Und Ludwigs- dorf ..... 30/156	5,517,885 A	5/1996	Feng ..... 81/177.4
3,113,479 A	12/1963	Swingle ..... 81/177	5,522,291 A	6/1996	Liu ..... 81/490
3,222,959 A	12/1965	Clark	5,535,882 A	7/1996	Liu ..... 206/377
3,255,792 A	6/1966	Beck	D373,943 S	9/1996	Fuhrmann ..... D8/71
3,257,991 A	6/1966	Mosch ..... 120/1	5,553,340 A	9/1996	Brown, Jr. .... 7/118
D205,745 S	9/1966	Nannfeldt ..... D80/9	5,566,596 A	10/1996	Lin ..... 81/490
3,424,039 A	1/1969	Scott	D376,520 S	12/1996	Morin ..... D8/14
3,592,086 A	7/1971	Derwin ..... 81/177 A	5,581,834 A	12/1996	Collins ..... 7/118
3,802,286 A	4/1974	Winklhofer et al. ... 74/242.11 S	D377,444 S	1/1997	Lin ..... D8/107
3,863,693 A	2/1975	Carriker	5,592,859 A	1/1997	Johnson et al. .... 81/177.4
3,943,801 A	3/1976	Yates ..... 81/71	D378,797 S	4/1997	Poremba et al. .... D8/107
3,958,469 A *	5/1976	Meese ..... 81/58.3	D380,131 S	6/1997	Sung
4,000,767 A	1/1977	Geng	D382,190 S	8/1997	Blackston et al. .... D8/107
4,043,230 A	8/1977	Scrivens ..... 81/177 A	D383,048 S	9/1997	Sorenson et al. .... D8/107
4,154,125 A	5/1979	Frank ..... 74/553	5,662,013 A	9/1997	Lin ..... 81/490
4,196,761 A	4/1980	Royer	D385,172 S	10/1997	Bramsiepe et al. .... D8/83
4,227,430 A	10/1980	Jansson et al. .... 81/177 M	D386,955 S *	12/1997	Jones et al. .... D8/25
4,235,269 A	11/1980	Kraus	5,711,042 A	1/1998	Chuang ..... 7/138
4,241,773 A	12/1980	Personnat	D394,794 S *	6/1998	Vasudeva ..... D8/107
4,302,990 A	12/1981	Chrichton et al. .... 81/60	5,758,870 A	6/1998	Weaver
4,308,770 A	1/1982	MacDonald	5,765,247 A	6/1998	Seber et al. .... 7/128
4,327,790 A	5/1982	Stevens et al.	5,791,211 A	8/1998	Bondhus et al. .... 81/440
4,384,499 A	5/1983	Shockley ..... 81/440	5,803,584 A	9/1998	Chung
4,424,728 A	1/1984	MacDonald ..... 81/177	D400,775 S	11/1998	Hsu ..... D8/107
4,448,097 A	5/1984	Rocca	5,855,274 A	1/1999	Piao
4,469,109 A *	9/1984	Mehl ..... 600/566	D405,335 S	2/1999	Lin ..... D8/82
4,525,889 A	7/1985	Dunau	5,911,799 A	6/1999	Johnson et al. .... 81/177.4
4,699,020 A	10/1987	Bush et al.	5,916,277 A	6/1999	Dallas ..... 7/128
4,703,673 A	11/1987	Allen	5,970,828 A	10/1999	Bondhus et al. .... 81/440
4,711,353 A	12/1987	Rozmestor ..... 206/378	D415,946 S	11/1999	Tsai ..... D8/107
4,716,795 A	1/1988	Corona et al. .... 81/177.4	5,983,759 A	11/1999	Turner
4,716,796 A	1/1988	Corona et al. .... 81/177.4	5,992,626 A	11/1999	Anderson ..... 206/378
4,767,006 A	8/1988	Wasem	D420,885 S *	2/2000	Lin ..... D8/107
4,787,276 A	11/1988	Condon ..... 81/177.1	D426,449 S	6/2000	Eklind ..... D8/107
4,815,346 A	3/1989	Littlehorn	D426,450 S	6/2000	Eklind ..... D8/107
4,819,523 A	4/1989	Souza	D427,875 S	7/2000	Chiu ..... D8/105
4,819,800 A	4/1989	Wilson	6,089,133 A	7/2000	Liao
4,820,090 A	4/1989	Chen ..... 408/241 R	6,095,018 A	8/2000	Schuster
4,882,841 A	11/1989	Margolis ..... 30/125	6,105,767 A	8/2000	Vasudeva
4,926,721 A	5/1990	Hsiao ..... 81/177.4	6,119,560 A	9/2000	Anderson et al. .... 81/440
D308,462 S	6/1990	Komatsu ..... D8/105	6,128,981 A	10/2000	Bondhus et al. .... 81/440
4,934,223 A	6/1990	Wong ..... 81/490	D433,910 S	11/2000	Oliver et al.
4,960,016 A	10/1990	Seals	6,151,998 A	11/2000	Fu-Hui
4,974,477 A	12/1990	Anderson	D435,415 S	12/2000	Johnson et al. .... D8/71
4,979,407 A	12/1990	Hernandez et al. .... 81/3.09	6,164,172 A	12/2000	Huang ..... 81/490
5,029,707 A	7/1991	Feng ..... 206/374	D435,773 S	1/2001	Lin ..... D8/83
5,036,975 A	8/1991	Chow	D437,541 S	2/2001	Hermansen et al. .... D8/105
5,062,173 A	11/1991	Collins et al. .... 7/118	D437,763 S	2/2001	Oliver et al.
5,063,796 A	11/1991	Gennep	6,206,189 B1	3/2001	Huot, Jr. et al.
5,065,487 A *	11/1991	Yother ..... 292/75	6,233,769 B1	5/2001	Seber et al. .... 7/128
5,146,815 A	9/1992	Scott, III ..... 81/437	6,237,451 B1	5/2001	Wei
			6,279,434 B1	8/2001	Brown
			D448,267 S	9/2001	Jean et al. .... D8/105
			6,311,587 B1	11/2001	Johnson et al. .... 81/177.4



# US D630,918 S

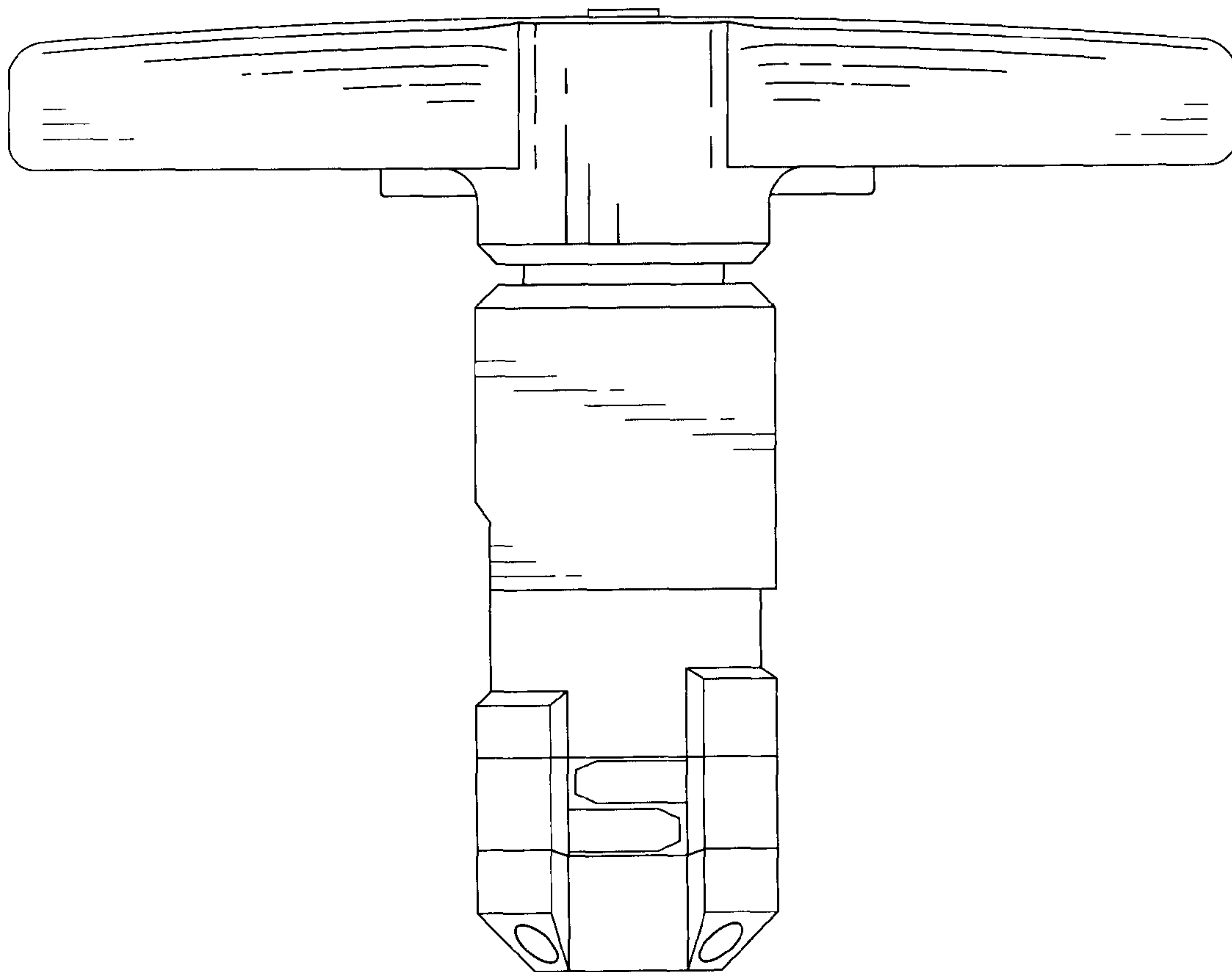
Page 3

6,314,838 B2	11/2001	Wall		D549,069 S	8/2007	Lin et al. .... D8/105
6,332,381 B1	12/2001	Vasudeva		7,281,454 B2	10/2007	Johnson et al. .... 81/177.4
6,345,557 B1	2/2002	Kuo		7,284,466 B1	10/2007	Ho
D454,766 S	3/2002	Lin		D557,099 S	12/2007	Lin
6,382,057 B1	5/2002	Kienholz		7,305,908 B2	12/2007	Chi ..... 81/177.4
6,389,931 B1	5/2002	Delaney et al.		7,467,574 B1	12/2008	Lin
6,397,709 B1	6/2002	Wall		7,467,575 B2	12/2008	Lai
6,405,620 B2	6/2002	Liao		7,565,852 B2	7/2009	Yu
D459,967 S	7/2002	Johnson et al. .... D8/71		2003/0047474 A1	3/2003	Dahlson
D462,002 S	8/2002	Jean et al. .... D8/105		2003/0126957 A1	7/2003	Huang
6,427,564 B1	8/2002	Nelson		2003/0226428 A1	12/2003	Liu
6,490,954 B2	12/2002	Johnson et al.		2004/0050218 A1	3/2004	Napoli
6,510,766 B1	1/2003	Lin ..... 81/177.4		2004/0173061 A1	9/2004	Liou
6,564,680 B1	5/2003	Rinner et al.		2004/0262344 A1	12/2004	White
6,598,503 B1	7/2003	Cunningham		2005/0011318 A1	1/2005	Tsai
D479,963 S	9/2003	Chang ..... D8/21		2005/0229752 A1	10/2005	Nickipuck
6,675,678 B2	1/2004	Liu		2005/0247587 A1	11/2005	Holland-Letz
6,698,318 B2	3/2004	Peters ..... 81/177.4		2005/0268752 A1	12/2005	Johnson et al. .... 81/177.4
6,751,819 B2	6/2004	Chuang ..... 7/100		2006/0101955 A1	5/2006	Chang
6,752,046 B1	6/2004	Lee		2006/0213059 A1	9/2006	Eggert ..... 29/857
6,763,744 B2	7/2004	Johnson et al. .... 81/177.4		2006/0288823 A1	12/2006	Schepman
D494,438 S	8/2004	Falkenstein et al. .... D8/105		2007/0151402 A1	7/2007	Schneeman et al.
6,799,490 B1	10/2004	Chu		2007/0221017 A1	9/2007	Heaven
6,898,998 B2	5/2005	Shyu		2007/0295171 A1	12/2007	Johnson et al.
6,901,826 B2	6/2005	Huang		2008/0148909 A1	6/2008	Lai
6,922,870 B2	8/2005	Tontz, Sr.		2008/0190249 A1	8/2008	Yu
6,925,910 B2	8/2005	Alford		2008/0271573 A1	11/2008	Lown et al.
6,928,908 B1	8/2005	Yu		2009/0107303 A1	4/2009	Steinweg et al.
6,935,211 B2	8/2005	Chen				
6,941,843 B2	9/2005	Johnson et al.				
6,948,406 B1	9/2005	Li				
6,968,758 B2	11/2005	Lin				
D517,391 S	3/2006	Leins ..... D8/105				
7,028,593 B1	4/2006	Lin et al.				
7,073,418 B2	7/2006	Kuo				
7,086,314 B2	8/2006	Wannop				
7,093,519 B1	8/2006	Huang				
7,100,476 B1	9/2006	Feit				
7,131,358 B2	11/2006	Hsien				
7,140,280 B2	11/2006	Hawkins et al. .... 81/440				
7,143,669 B2	12/2006	Hu				
7,150,208 B2	12/2006	Debley				
7,159,260 B2	1/2007	Hansen				
7,159,491 B1	1/2007	Chaconas et al.				
7,165,479 B1	1/2007	Lee				

## FOREIGN PATENT DOCUMENTS

DE	24 53 480	A1	5/1976
DE	37 44 176	A1	8/1989
EP	503 559	A1	9/1992
EP	618 046	A1	10/1994
FR	787512		9/1935
GB	856223		12/1960
JP	55-045442	U	3/1980
JP	57-13165		1/1982
JP	3-47775		5/1991
JP	4-29368		3/1992
JP	5-31882		4/1993
WO	WO 83/01406		4/1983
WO	WO 97/29887		8/1997

\* cited by examiner



**Fig. 1**

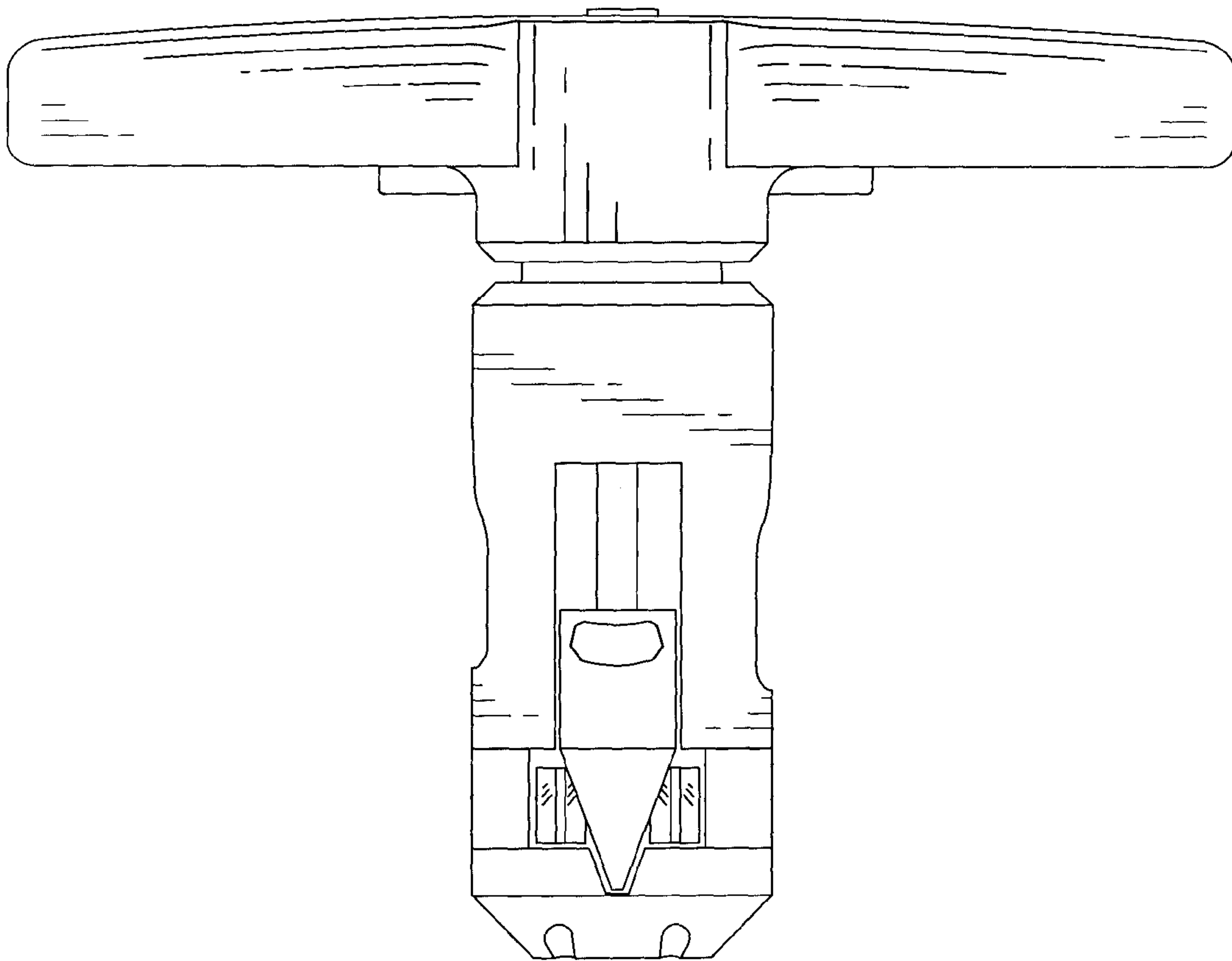
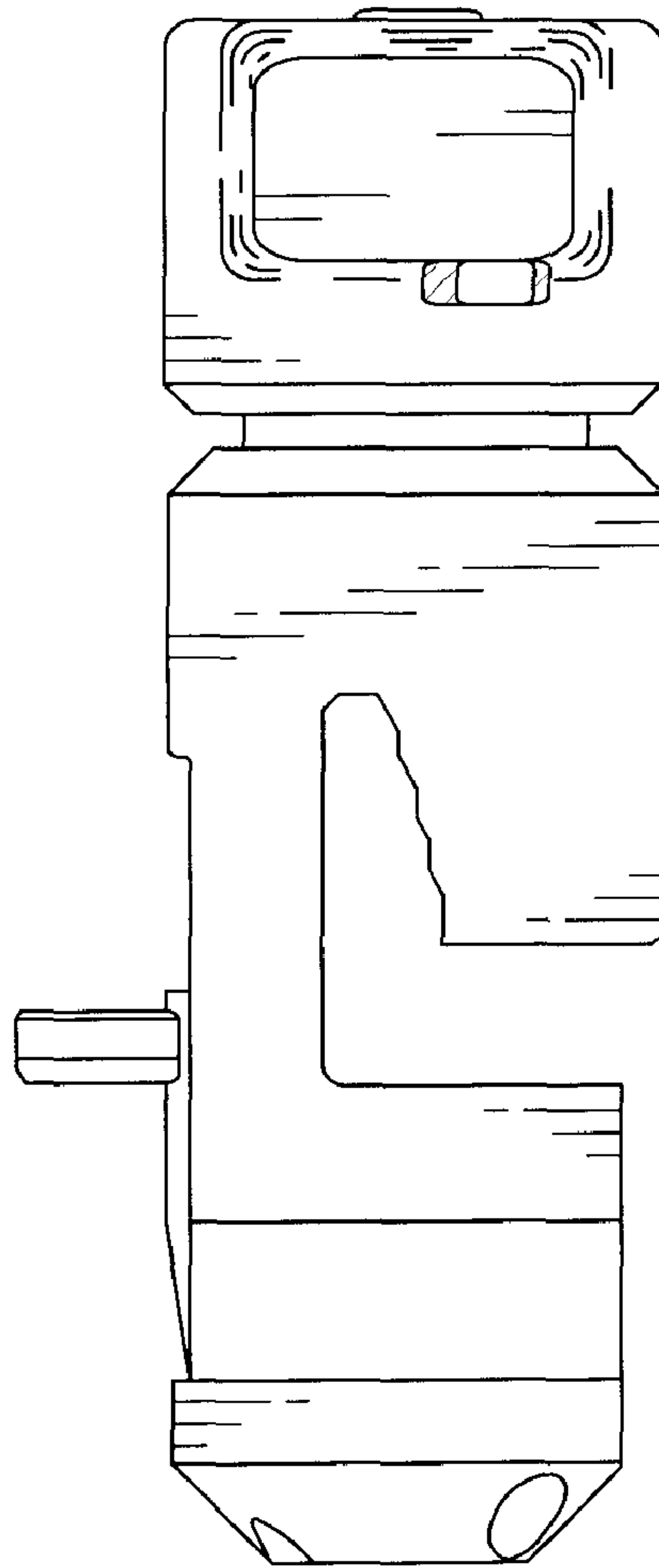
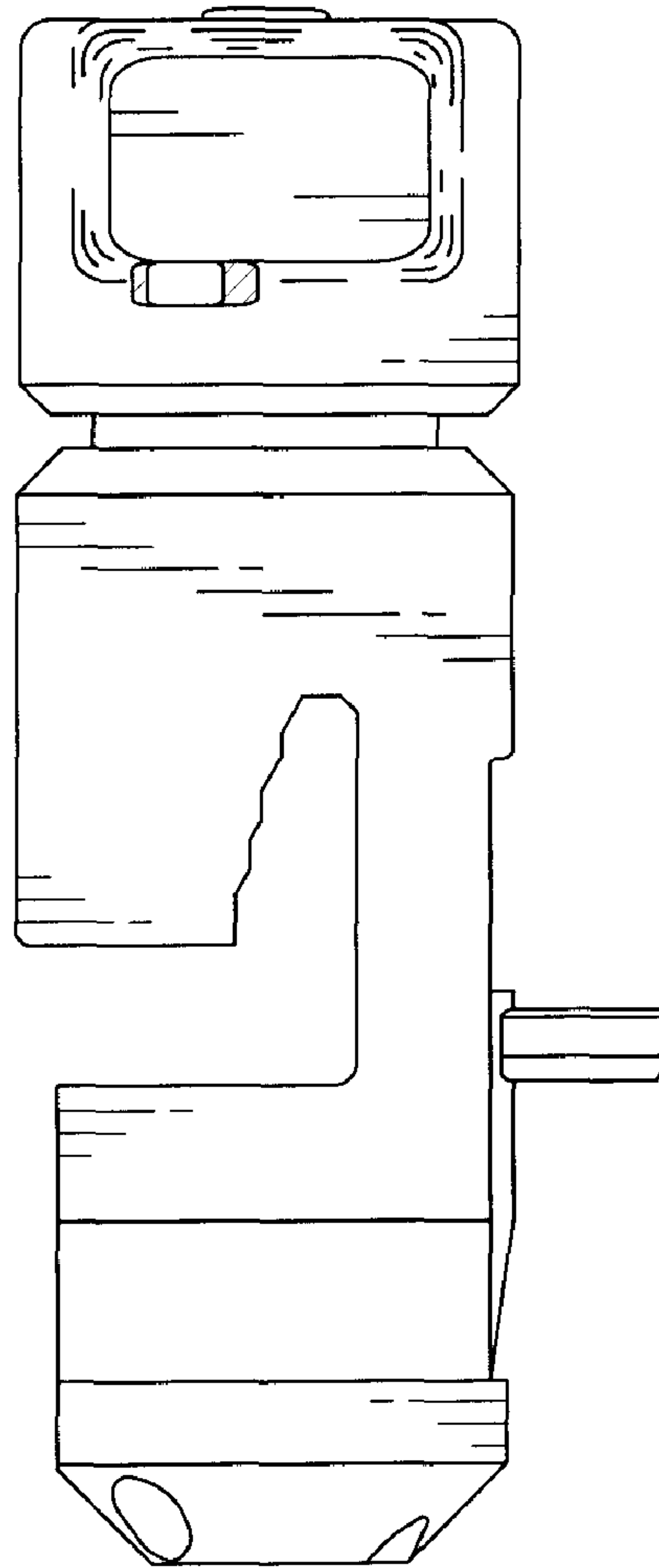


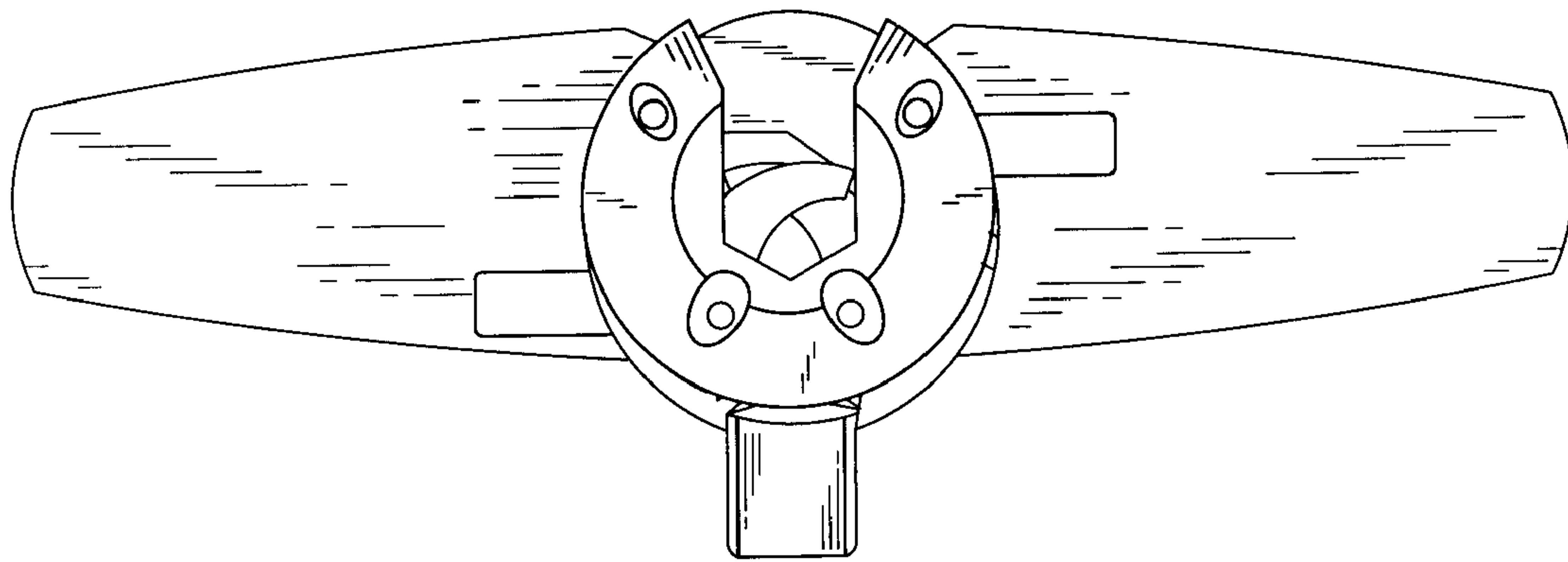
Fig. 2



**Fig. 3**

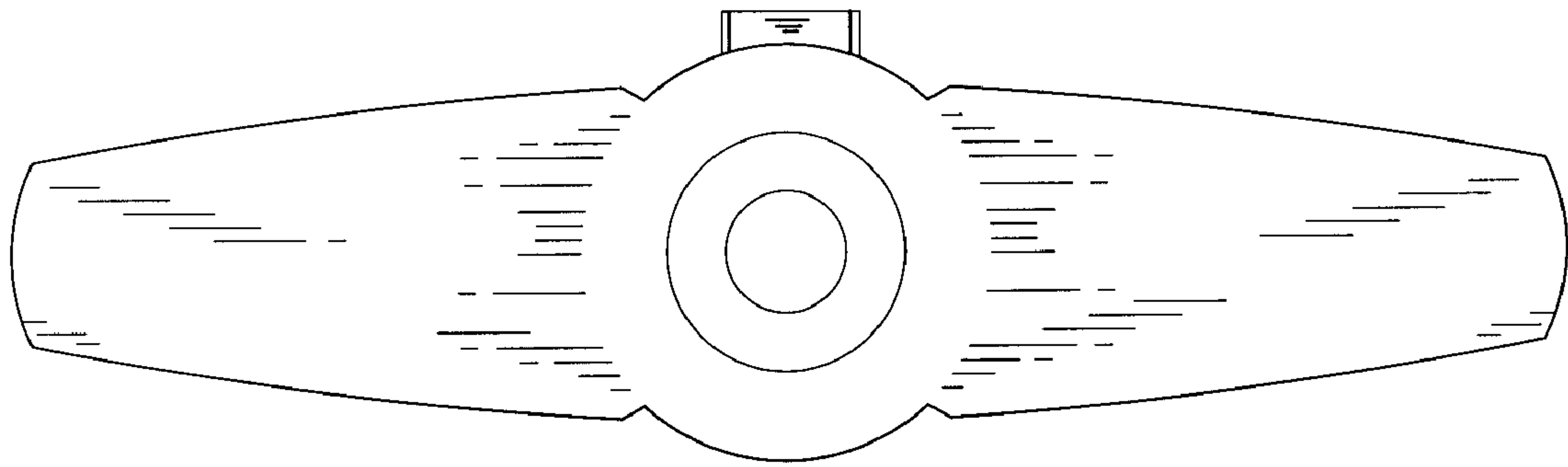


**Fig. 4**

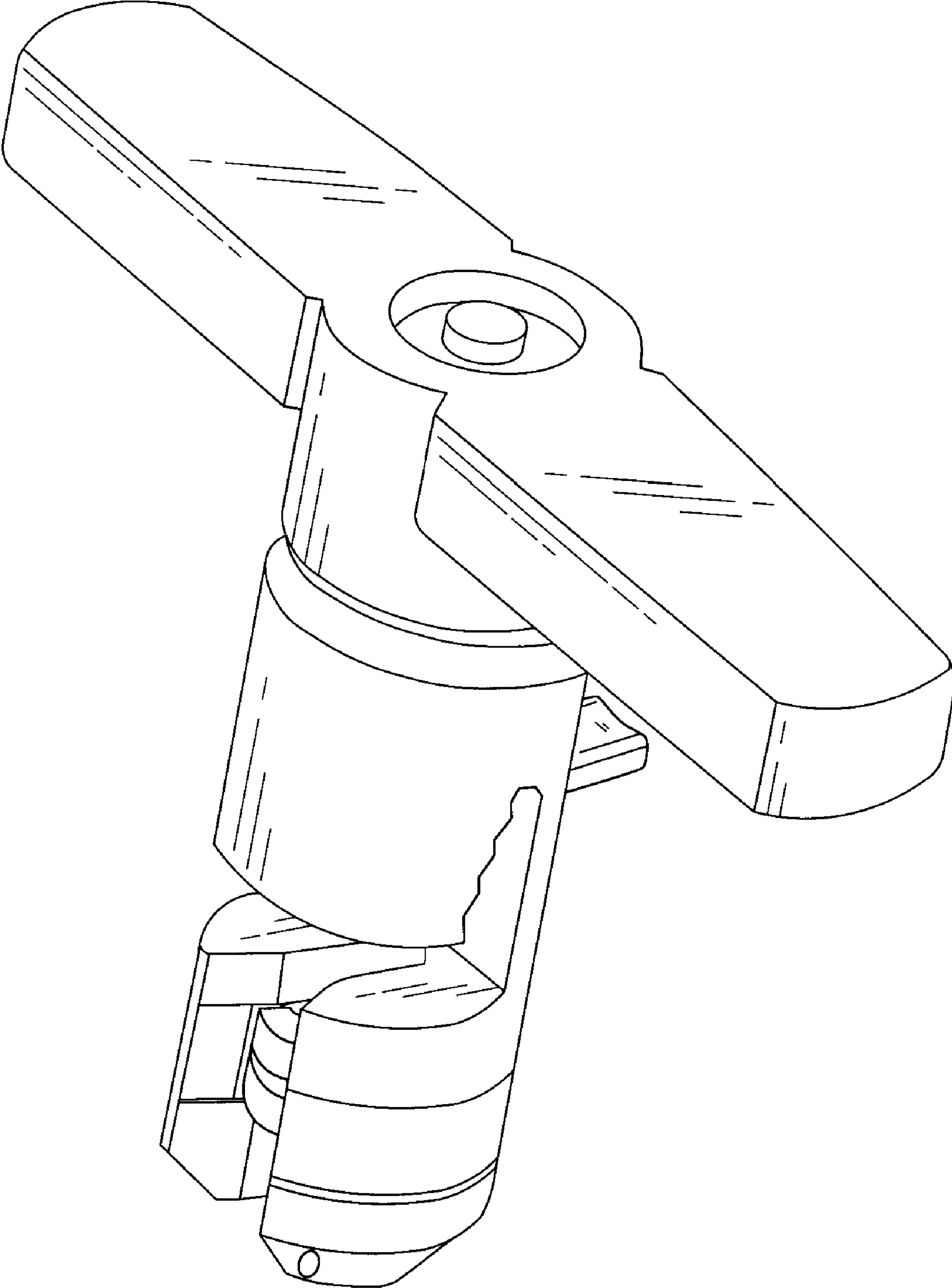


**Fig. 5**





**Fig. 6**



**Fig. 7**