



US00D630917S

(12) **United States Design Patent**
Hall

(10) **Patent No.:** **US D630,917 S**

(45) **Date of Patent:** **** Jan. 18, 2011**

(54) **MOBILE STUD PRESS**

(75) Inventor: **Anthony D. Hall**, Halifax (CA)

(73) Assignee: **Welaptega Marine Limited** (CA)

(**) Term: **14 Years**

(21) Appl. No.: **29/350,883**

(22) Filed: **Nov. 24, 2009**

(51) **LOC (9) Cl.** **08-05**

(52) **U.S. Cl.** **D8/14**

(58) **Field of Classification Search** D8/14;
52/364, 344, 345, 767; 29/12; 24/713.9,
24/714.1; 368/168, 178; 59/35.1

See application file for complete search history.

(56) **References Cited**

U.S. PATENT DOCUMENTS

3,824,672	A *	7/1974	Michelsen	29/263
4,231,588	A *	11/1980	Wotton et al.	280/86.756
5,040,345	A *	8/1991	Gilmour	52/243.1
6,015,962	A *	1/2000	Wiessler et al.	219/98
6,206,332	B1 *	3/2001	Middendorp et al.	248/316.1
D450,991	S *	11/2001	Nardoza et al.	D8/73
6,779,331	B1 *	8/2004	Weinberg	59/80

6,807,800	B2 *	10/2004	Rosenwasser et al.	59/80
D505,603	S *	5/2005	Chang	D8/14
D572,095	S *	7/2008	Jochum	D8/14
D572,547	S *	7/2008	Buermann	D8/14
D593,318	S *	6/2009	Kelleghan	D3/207
7,721,520	B2 *	5/2010	Komeya et al.	59/7

* cited by examiner

Primary Examiner—Prabhakar Deshmukh

(74) *Attorney, Agent, or Firm*—Buskop Law Group, PC;
Wendy Buskop

(57) **CLAIM**

The ornamental design for a mobile stud press, as shown and described.

DESCRIPTION

FIG. 1 is a front view of the mobile stud press.

FIG. 2 is a back view of the mobile stud press.

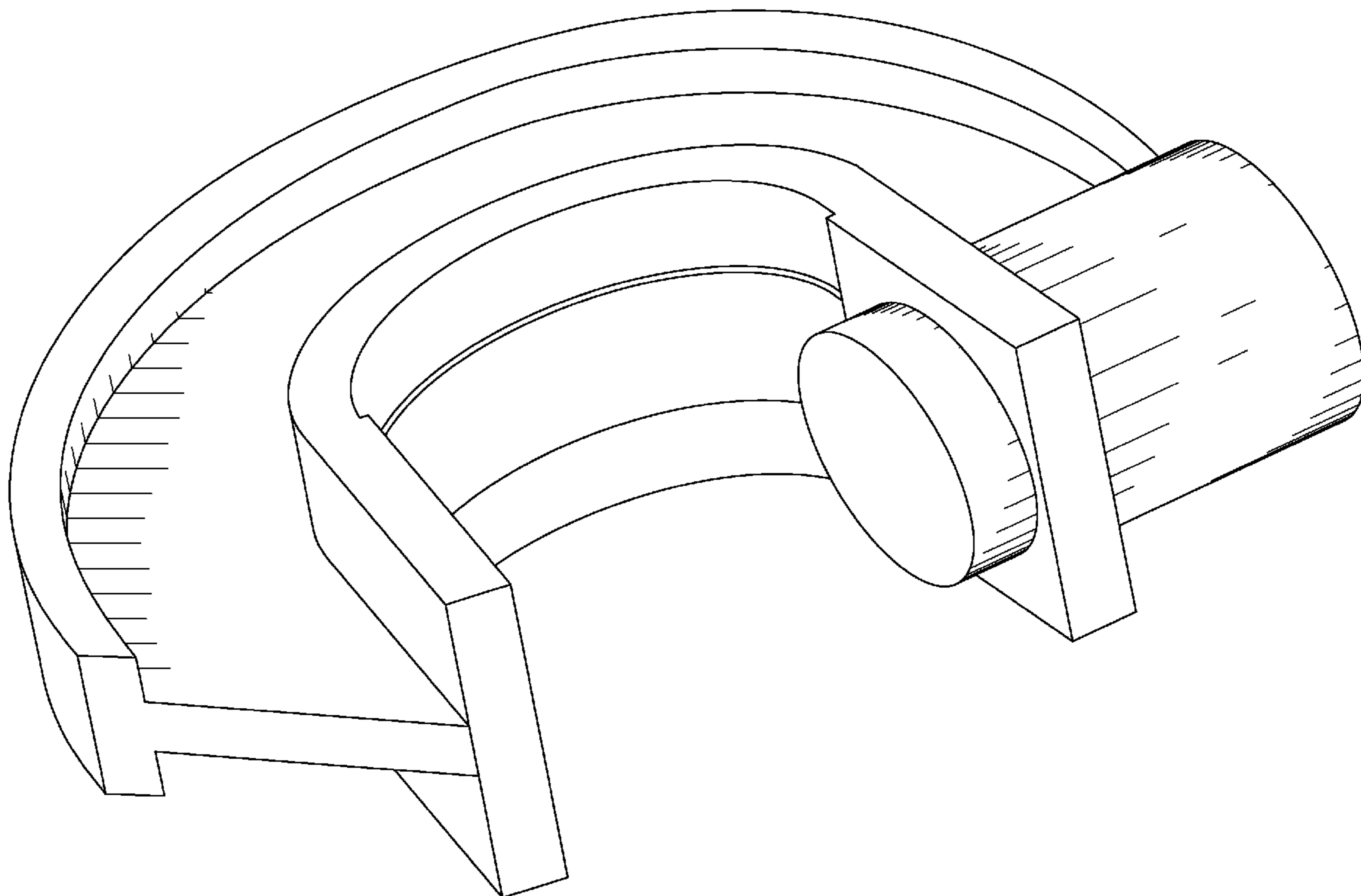
FIG. 3 is a top view of the mobile stud press.

FIG. 4 is a right side view of the mobile stud press.

FIG. 5 is a left side view of the mobile stud press; and,

FIG. 6 is a isometric view of the mobile stud press.

1 Claim, 4 Drawing Sheets



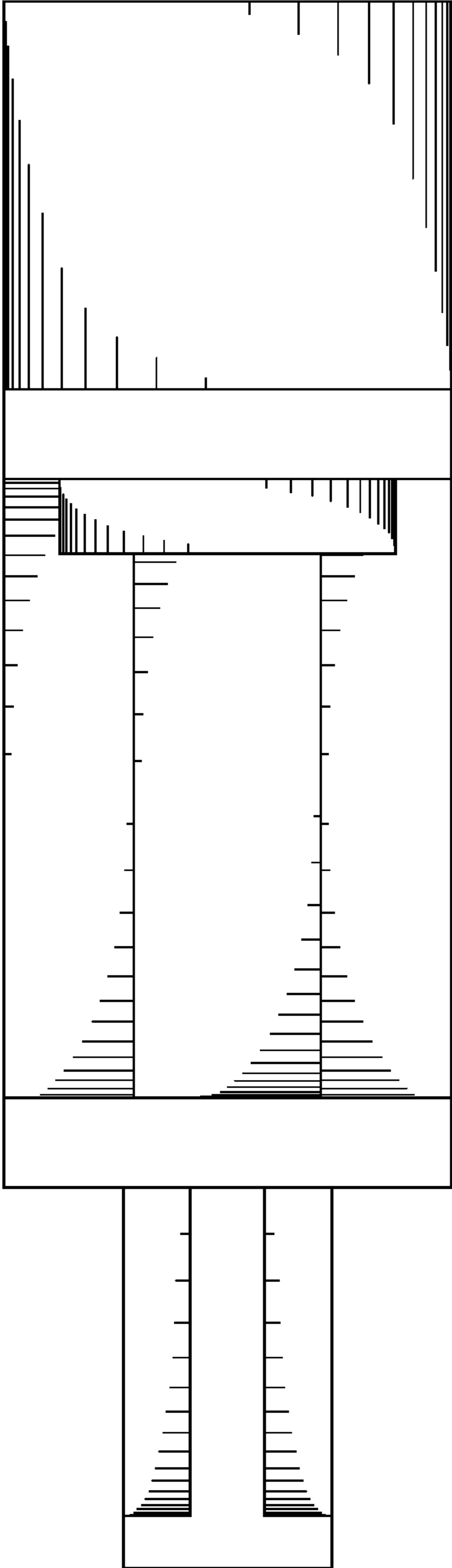


FIGURE 1

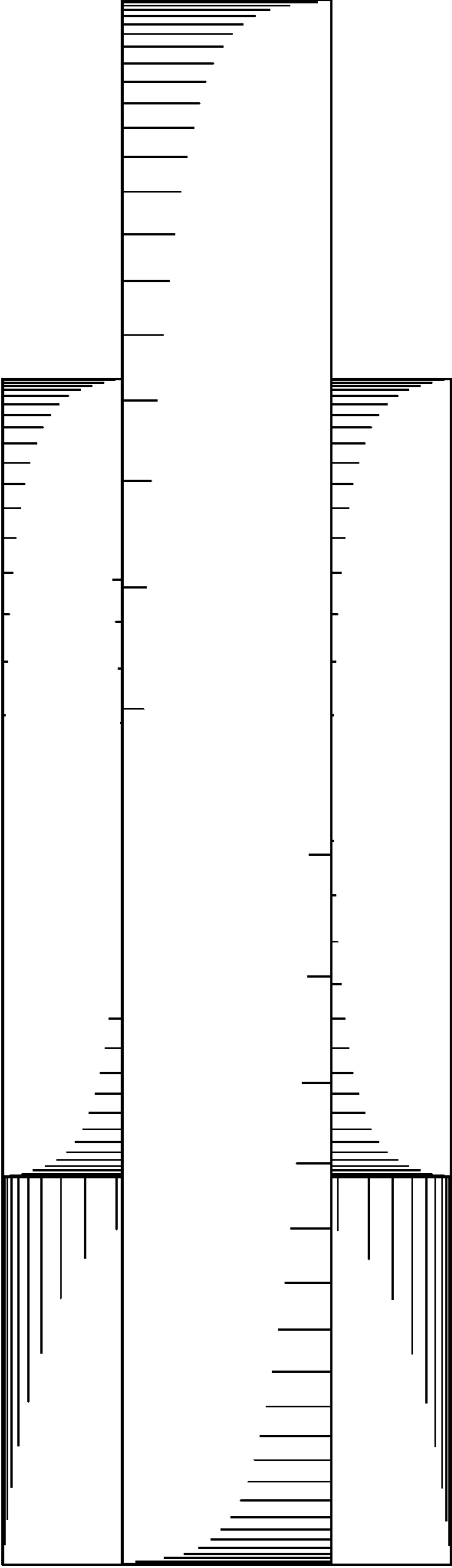


FIGURE 2

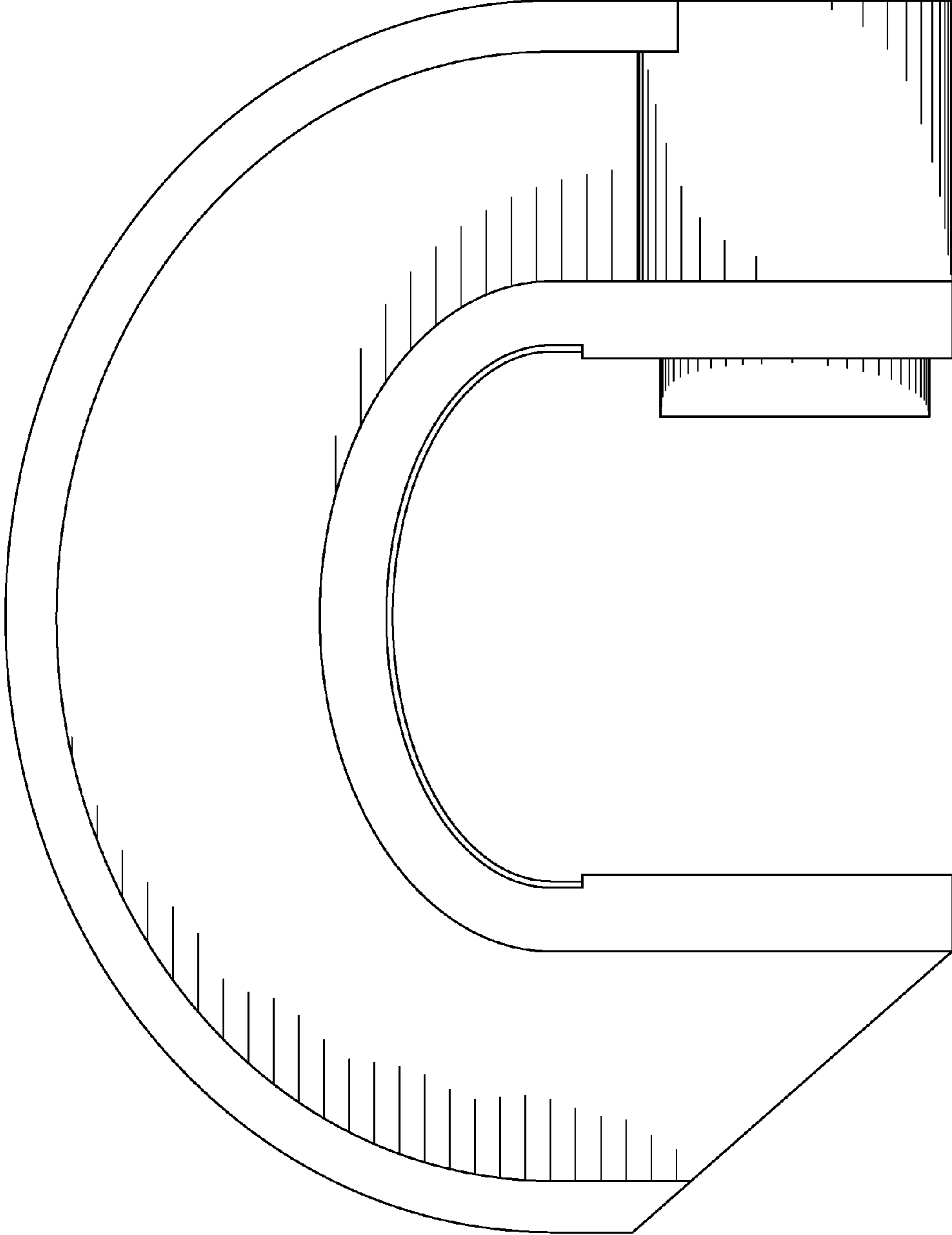


FIGURE 3

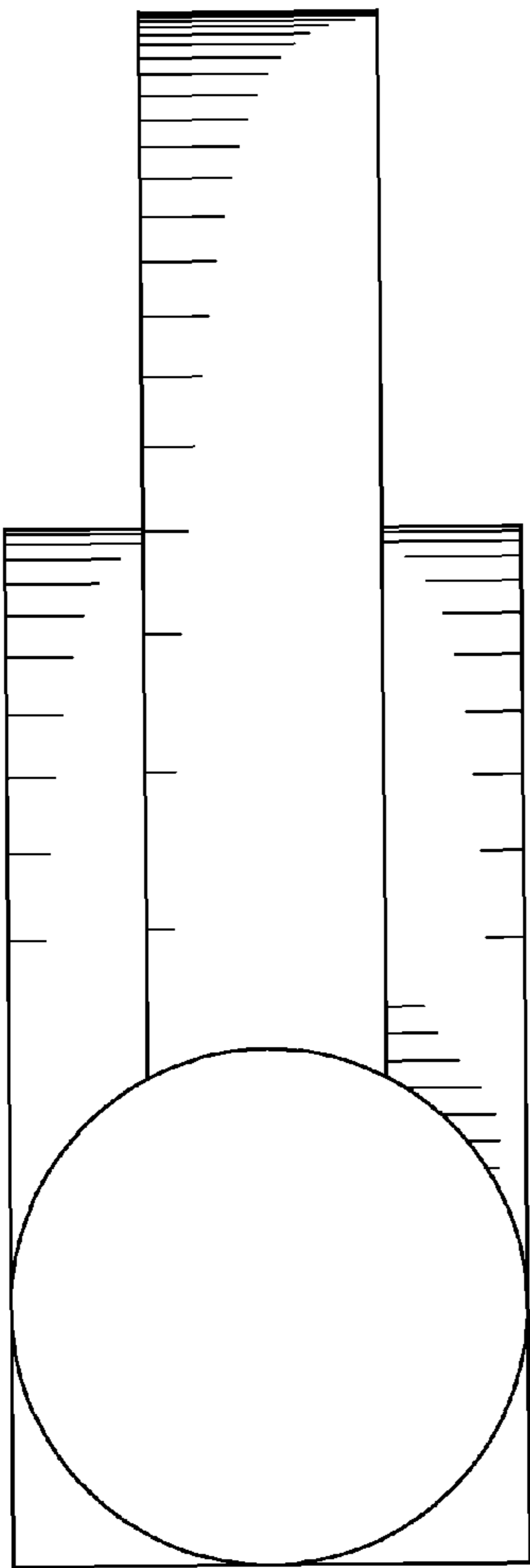


FIGURE 4

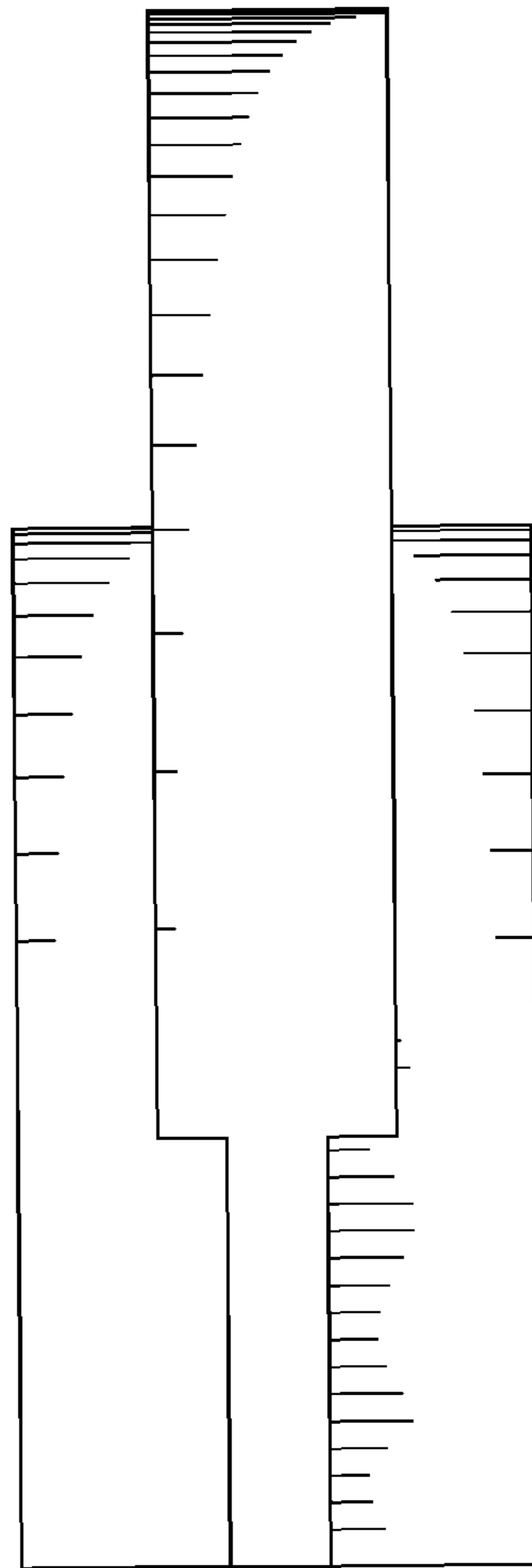


FIGURE 5

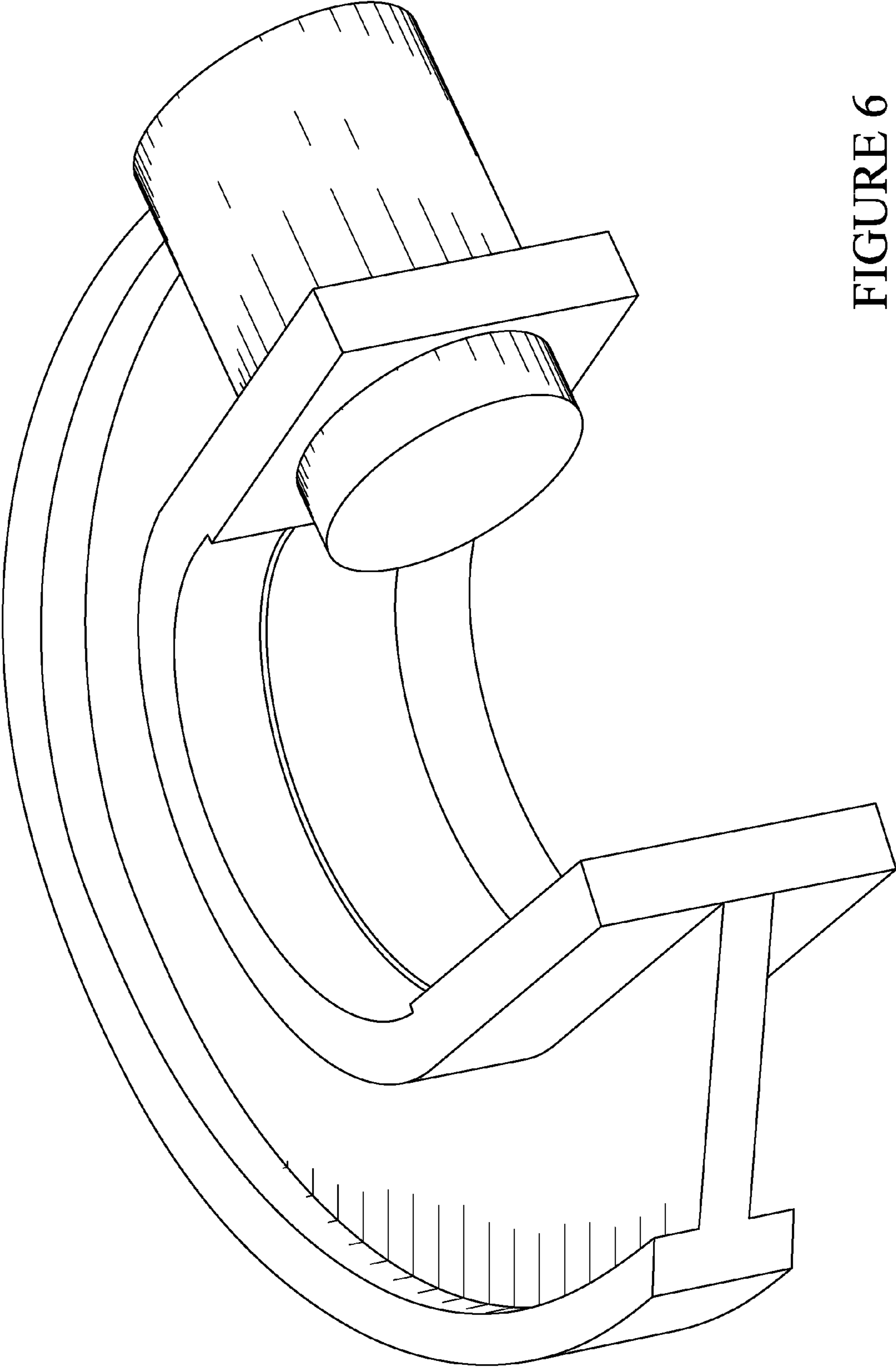


FIGURE 6