



US00D630916S

(12) **United States Design Patent**  
**Havsgaard**

(10) **Patent No.:** **US D630,916 S**

(45) **Date of Patent:** **\*\* Jan. 18, 2011**

(54) **HITCH RELEASE LEVER TOOL**

7,086,640 B2 \* 8/2006 Carmouche ..... 254/30  
D532,273 S \* 11/2006 Yoson ..... D8/88  
7,311,293 B2 \* 12/2007 Mrugalski, Jr. .... 254/25

(76) Inventor: **James L. Havsgaard**, 915 Marlace La.,  
Hemet, CA (US) 92543

\* cited by examiner

(\*\*) Term: **14 Years**

*Primary Examiner*—Philip S Hyder  
*Assistant Examiner*—Roselynn Cody

(21) Appl. No.: **29/350,607**

(74) *Attorney, Agent, or Firm*—Berliner & Associates

(22) Filed: **Nov. 19, 2009**

(57) **CLAIM**

(51) **LOC (9) Cl.** ..... **08-05**

The ornamental design for a hitch release lever tool, as shown and described.

(52) **U.S. Cl.** ..... **D8/14**

(58) **Field of Classification Search** ..... D8/14,  
D8/16, 88-89; D22/199; 81/15.9, 45, 488;  
254/30, 31

**DESCRIPTION**

See application file for complete search history.

FIG. 1 is perspective view of an embodiment of a hitch release lever tool of this invention;

(56) **References Cited**

FIG. 2 is a front elevation view thereof, the rear view being identical;

**U.S. PATENT DOCUMENTS**

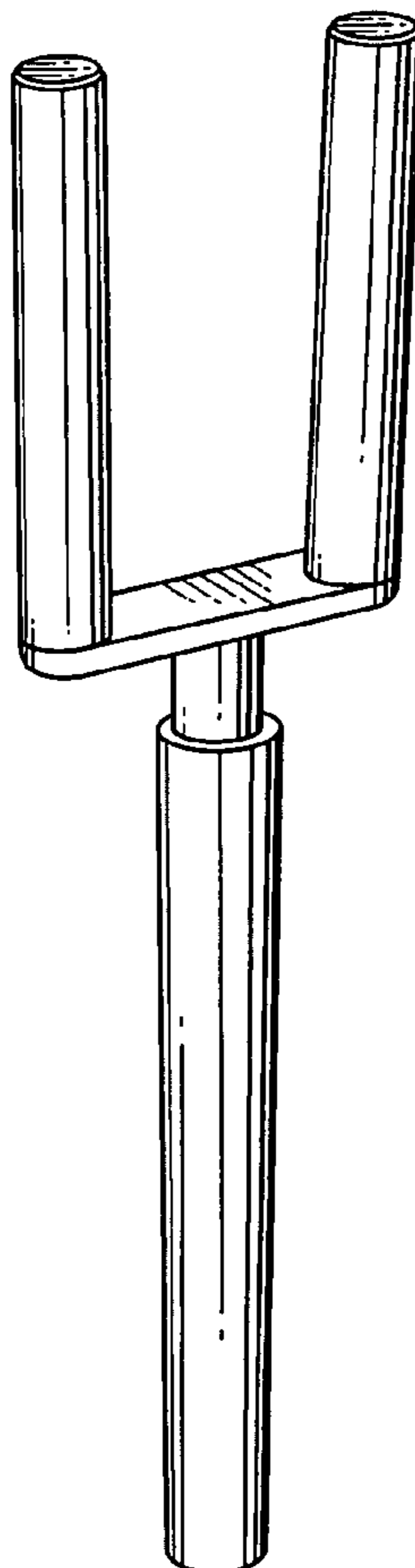
FIG. 3 is a right side elevation view thereof, the left side view being identical;

2,688,266	A *	9/1954	Knudsen et al.	.....	81/15.9
2,718,374	A *	9/1955	Kellenbarger	.....	254/17
D275,446	S *	9/1984	McSwain	.....	D8/89
D336,231	S *	6/1993	Strom	.....	D8/89
5,238,036	A *	8/1993	Bunce	.....	141/392
D450,992	S *	11/2001	Abshire	.....	D8/88
D458,104	S *	6/2002	Halstead et al.	.....	D8/88

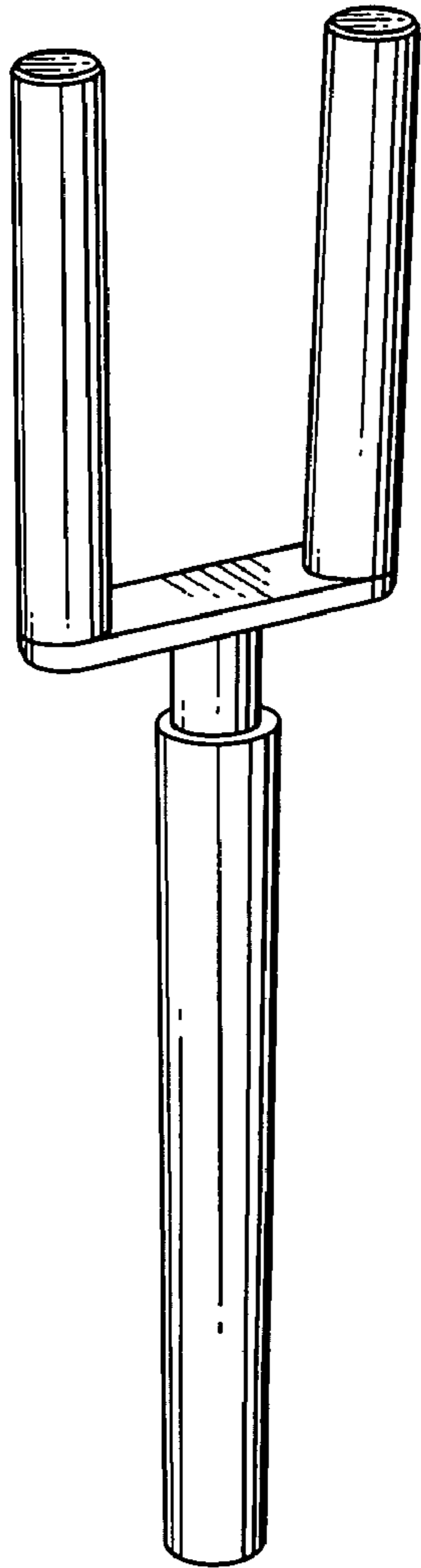
FIG. 4 is a top view thereof; and,

FIG. 5 is a bottom view thereof.

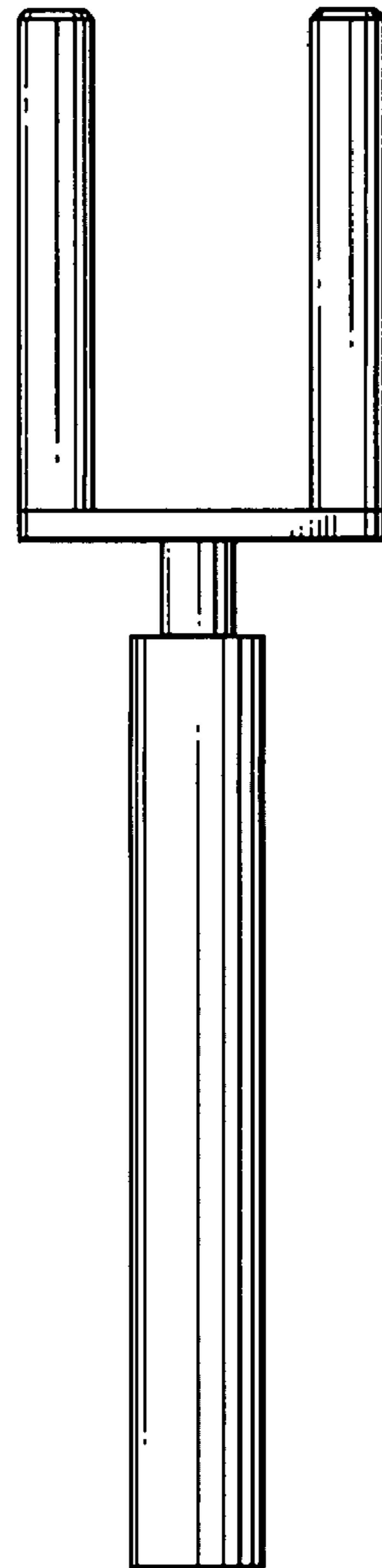
**1 Claim, 2 Drawing Sheets**



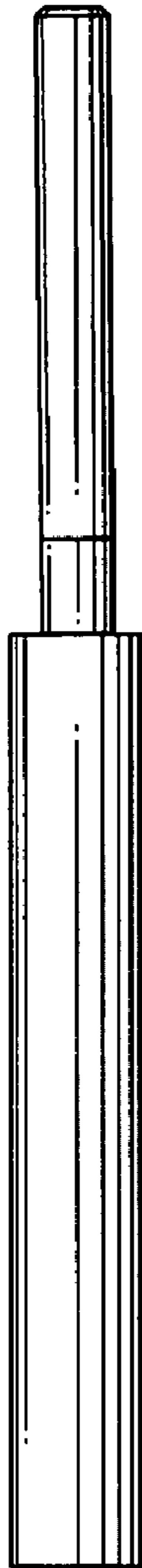
*Fig. 1*



*Fig. 2*



*Fig. 3*



*Fig. 4*



*Fig. 5*