



US00D630915S

(12) **United States Design Patent**
Buquoi

(10) **Patent No.:** **US D630,915 S**

(45) **Date of Patent:** **** Jan. 18, 2011**

(54) **PLANTER RESERVOIR**

(75) Inventor: **Matthew D. Buquoi**, Cumming, GA
(US)

(73) Assignee: **Flowerwindowboxes.com, Inc.**,
Cumming, GA (US)

(**) Term: **14 Years**

(21) Appl. No.: **29/355,009**

(22) Filed: **Feb. 1, 2010**

(51) **LOC (9) Cl.** **08-01**

(52) **U.S. Cl.** **D8/1**

(58) **Field of Classification Search** D8/1;
47/65.8, 47, 40.5, 48.5, 43-44, 32.4, 32,
47/38; D23/213, 214

See application file for complete search history.

(56) **References Cited**

U.S. PATENT DOCUMENTS

3,800,471 A * 4/1974 Adams 47/79
D434,283 S * 11/2000 Dewey D8/1
6,643,978 B2 * 11/2003 Price 47/65.8

D506,110 S * 6/2005 Slobodnik et al. D8/1
D510,846 S * 10/2005 Hardy D8/1
D611,781 S * 3/2010 Sagedy D8/1

* cited by examiner

Primary Examiner—Holly H Baynham

Assistant Examiner—Sheryl Lane

(74) *Attorney, Agent, or Firm*—Miller & Martin PLLC

(57) **CLAIM**

The ornamental design for a planter reservoir, as shown and described.

DESCRIPTION

FIG. 1 is a perspective view of the planter reservoir;

FIG. 2 is a front view thereof;

FIG. 3 is a rear view thereof;

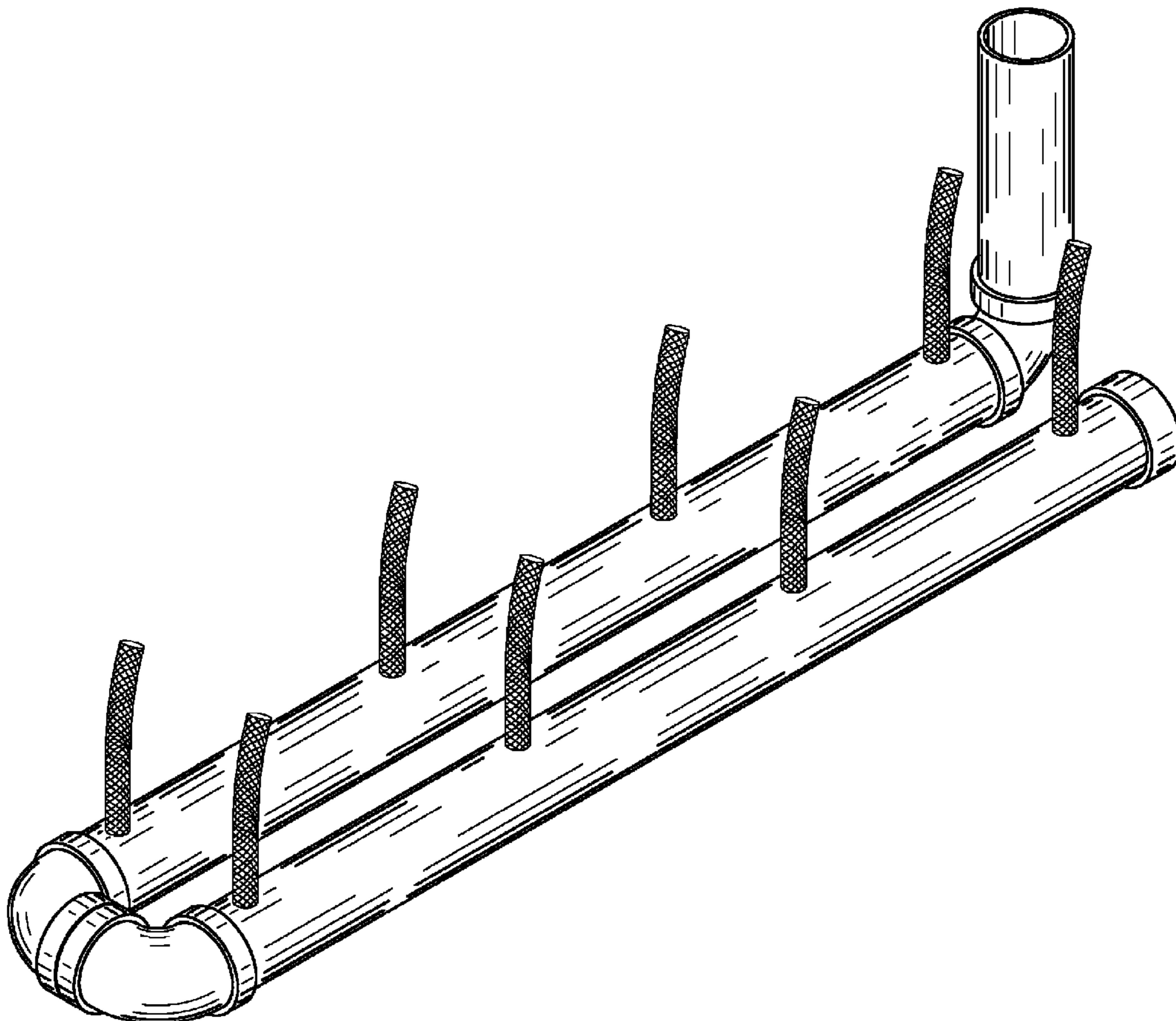
FIG. 4 is a top view thereof;

FIG. 5 is a bottom view thereof;

FIG. 6 is a right side view thereof; and,

FIG. 7 is a left side view thereof.

1 Claim, 4 Drawing Sheets



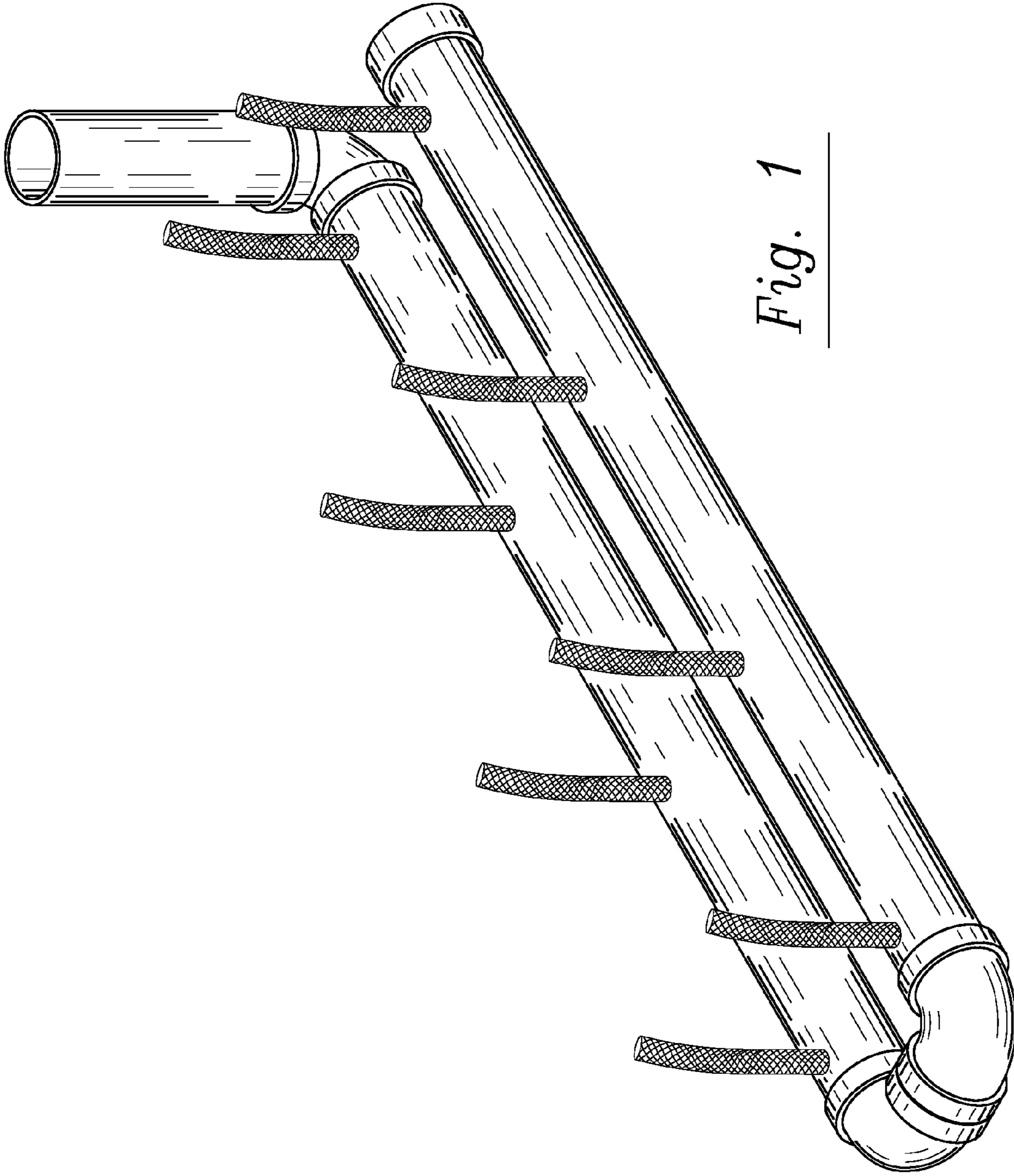


Fig. 1

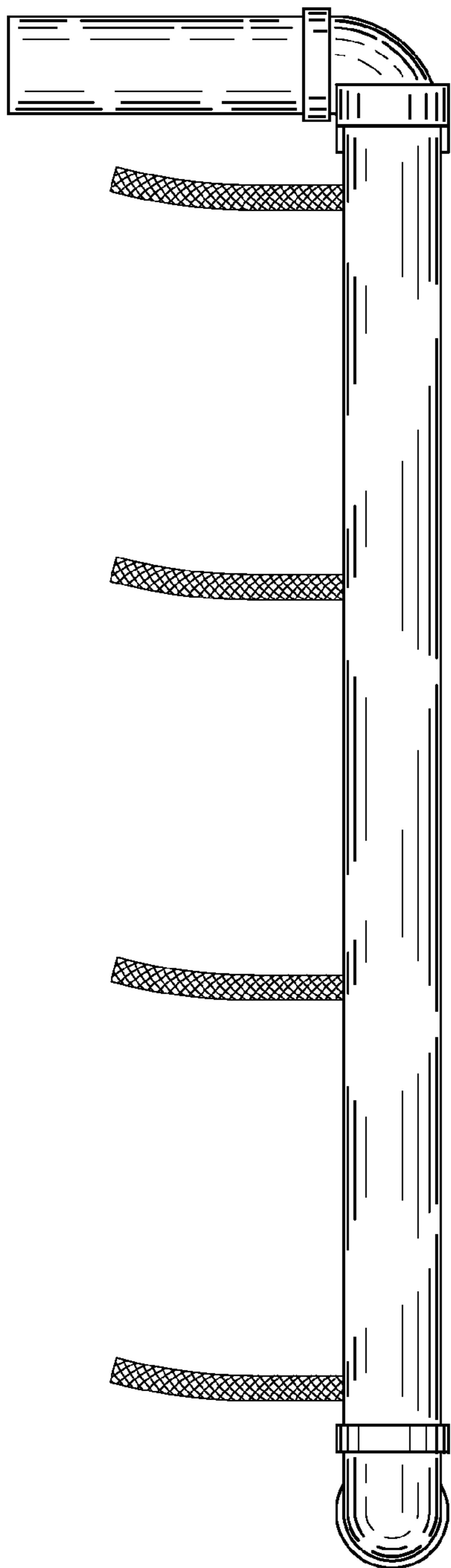


Fig. 2

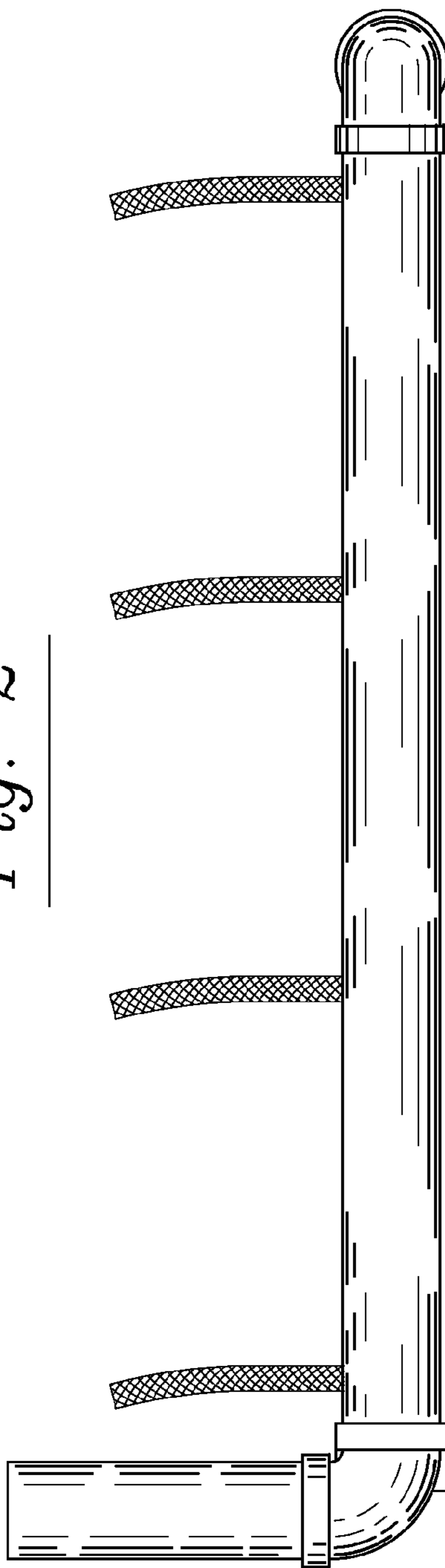


Fig. 3

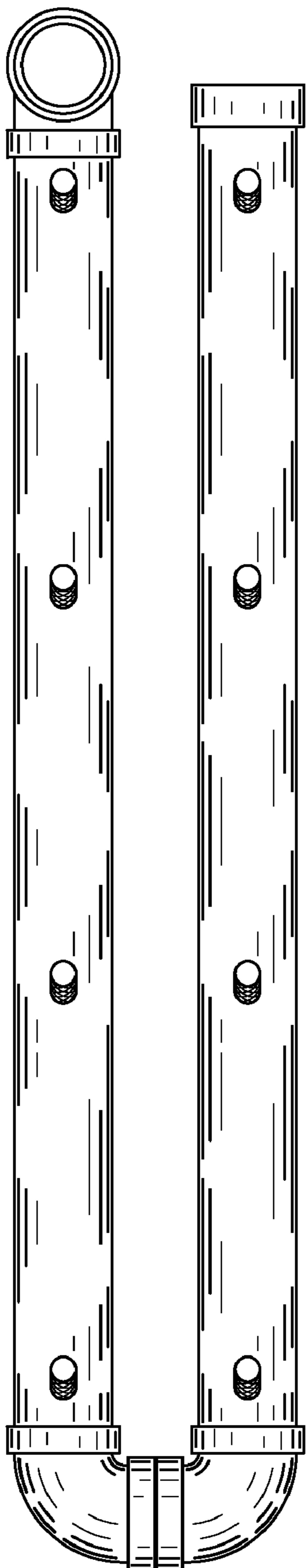


Fig. 4



Fig. 5

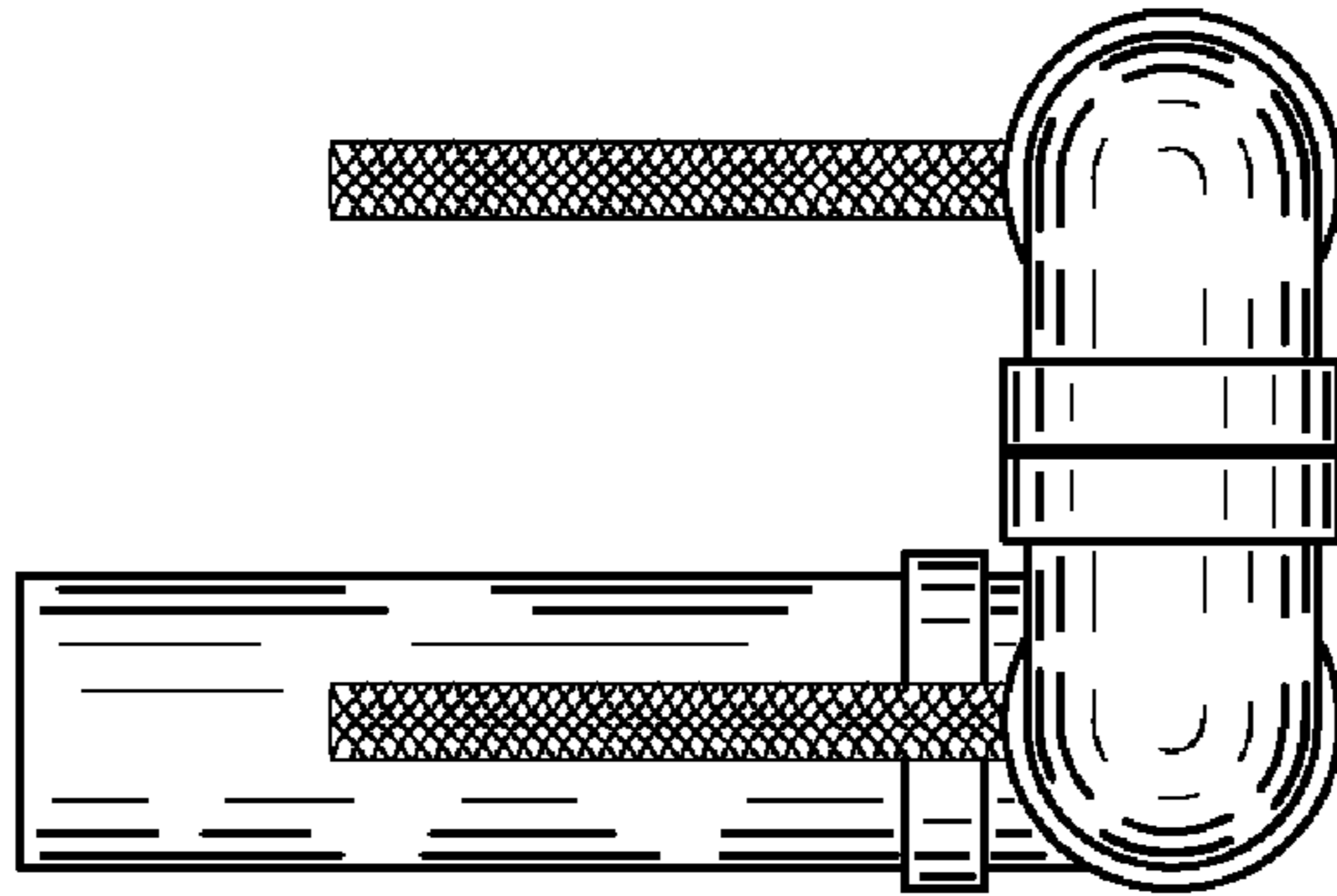


Fig. 7

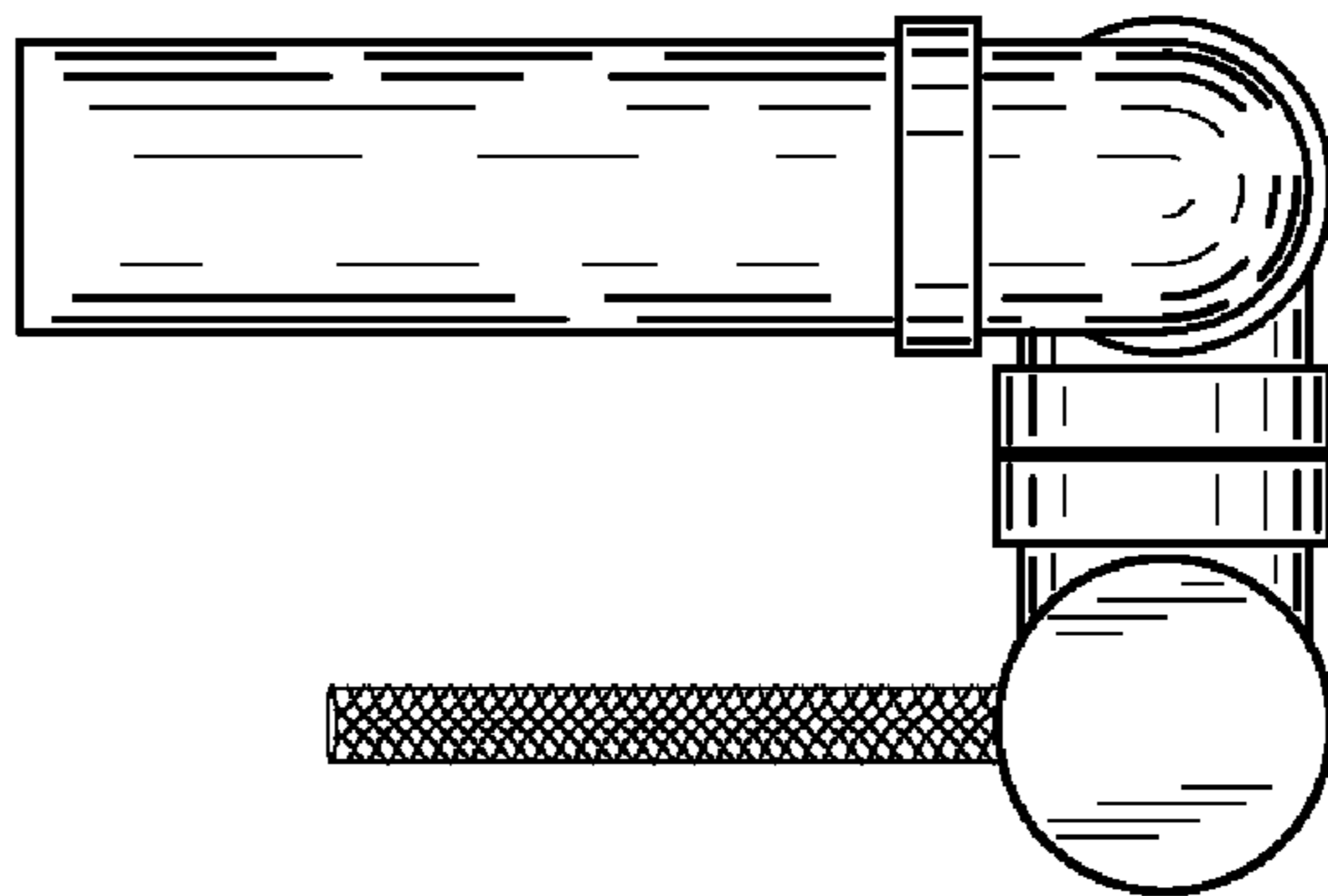


Fig. 6
