



US00D630910S

(12) **United States Design Patent**
Reay

(10) **Patent No.:** **US D630,910 S**

(45) **Date of Patent:** **** Jan. 18, 2011**

(54) **WHISK**

D425,763 S * 5/2000 Begley et al. D7/682
D487,382 S * 3/2004 Kaposi D7/692

(76) Inventor: **Gavin Reay**, 104 Felsham Road,
London, England (GB) SW15 1DQ

* cited by examiner

(**) Term: **14 Years**

Primary Examiner—Terry A Wallace
(74) *Attorney, Agent, or Firm*—Eugene M. Cummings, P.C.

(21) Appl. No.: **29/360,568**

(22) Filed: **Apr. 28, 2010**

(57) **CLAIM**

The ornamental design for a whisk, as shown and described.

(51) **LOC (9) Cl.** **07-04**

(52) **U.S. Cl.** **D7/688**

(58) **Field of Classification Search** D7/680–696;
241/168, 169.1, 169.2; 294/1.1; 366/129,
366/130, 342–344; 416/69, 70 R, 71, 72,
416/227 R

DESCRIPTION

See application file for complete search history.

FIG. 1 is a perspective view of a whisk showing my new design.

FIG. 2 is a side view thereof.

FIG. 3 is a front view thereof.

FIG. 4 is a top plan view thereof.

FIG. 5 is a rear view thereof; and,

FIG. 6 is a bottom plan view thereof.

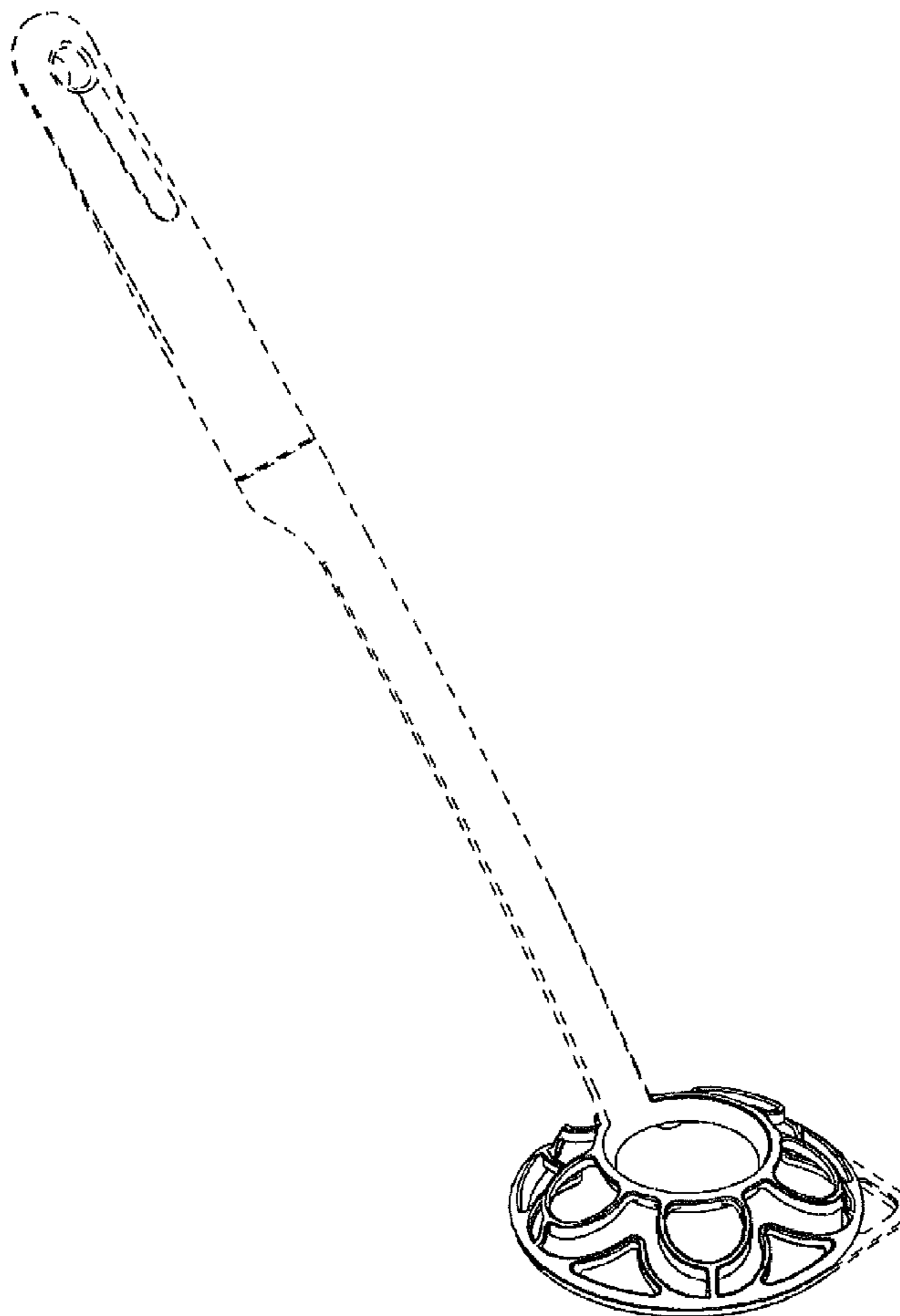
The broken lines are for illustrative purposes only, and form no part of the claimed design.

(56) **References Cited**

U.S. PATENT DOCUMENTS

D43,064 S * 9/1912 Streeter D7/682
1,856,954 A * 5/1932 Hayward 241/169.2
D150,545 S * 8/1948 Bergstedt D7/682
D205,538 S * 8/1966 Latham D7/682
D399,103 S * 10/1998 Lillelund et al. D7/682

1 Claim, 4 Drawing Sheets



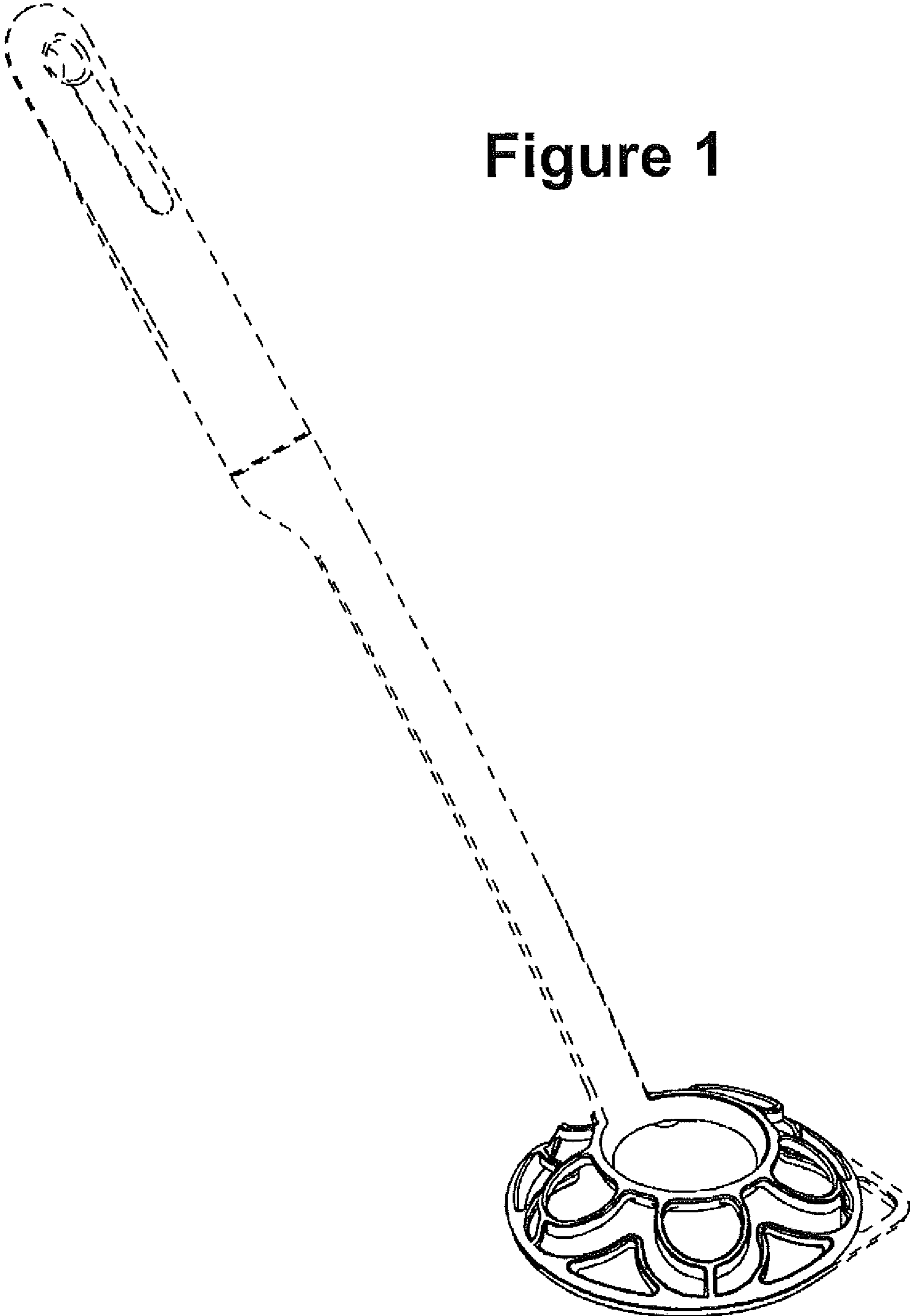


Figure 1

Figure 2

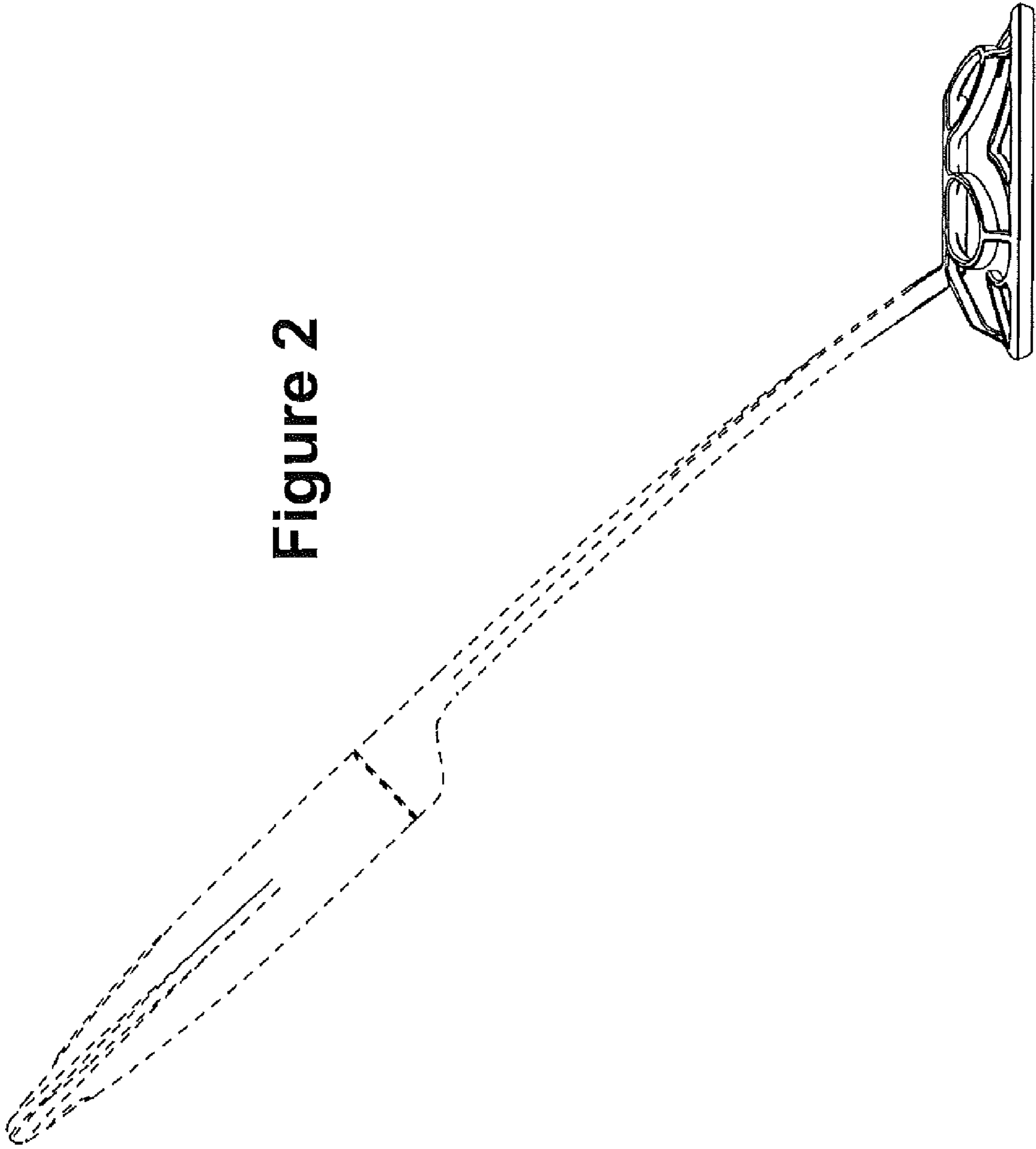


Figure 3

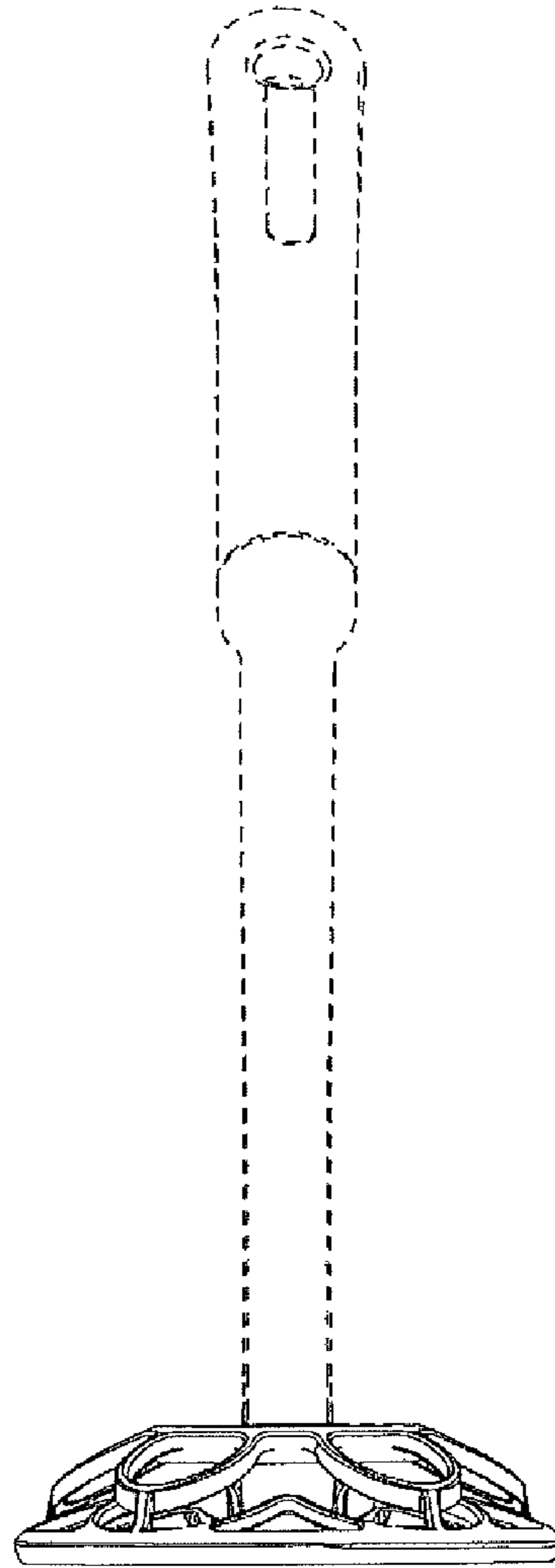


Figure 4

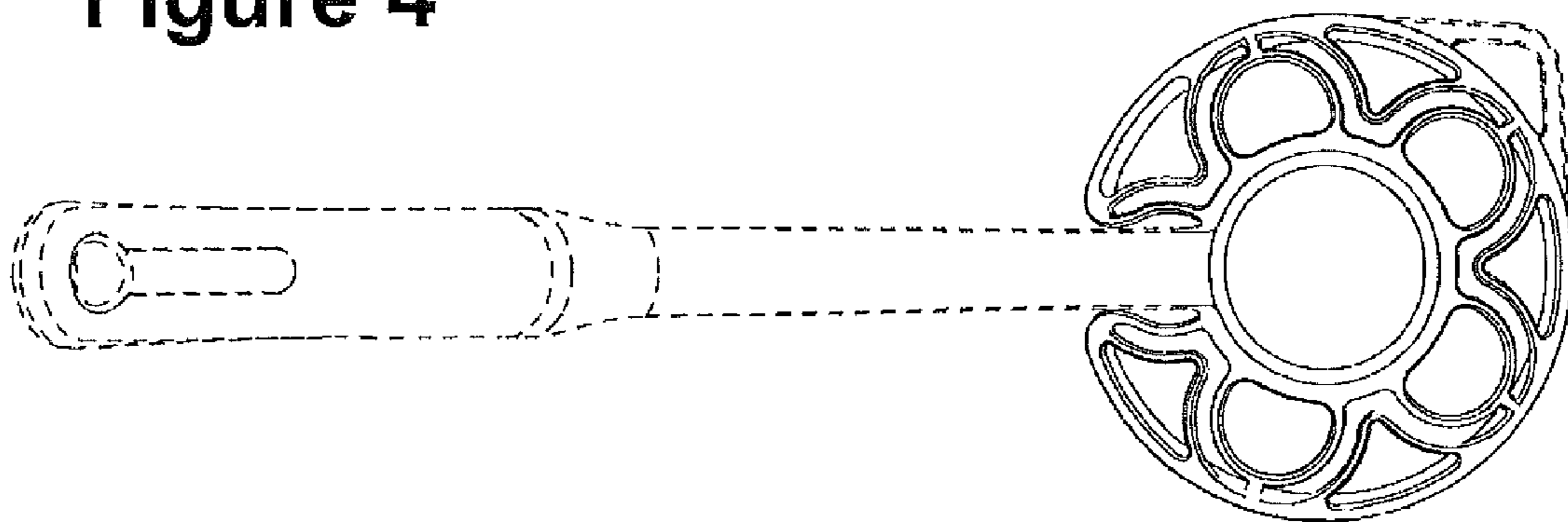


Figure 5

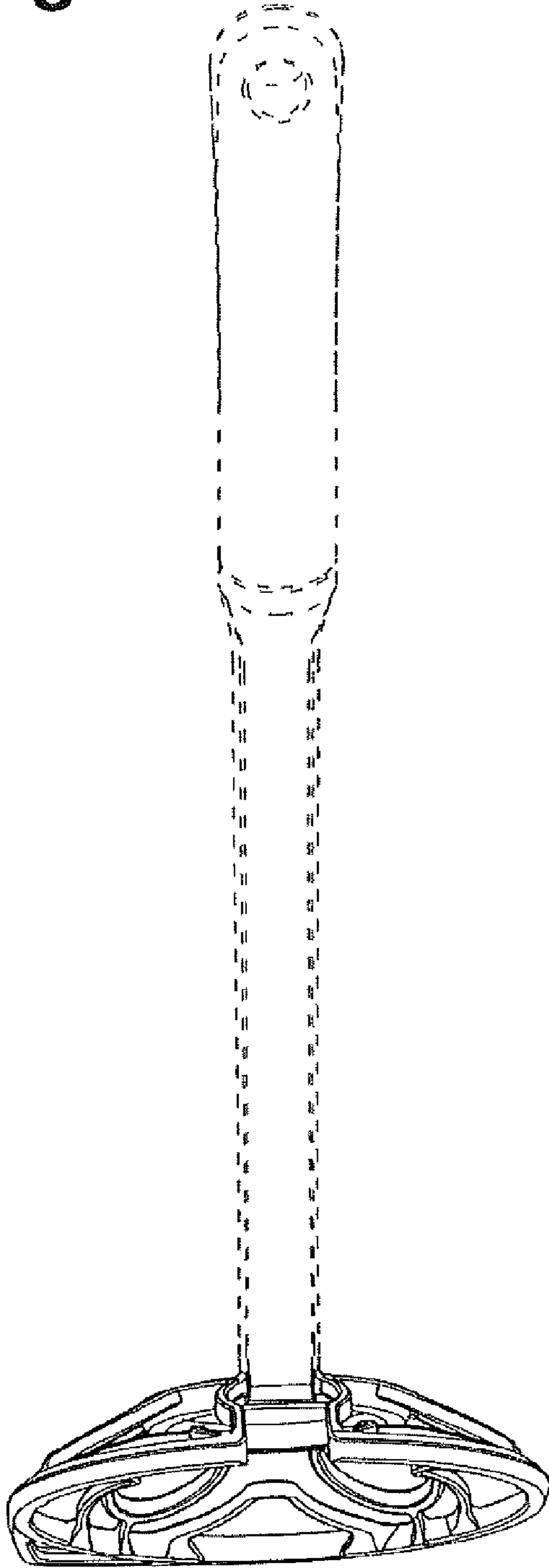


Figure 6

