



US00D630906S

(12) **United States Design Patent**  
**Wen**

(10) **Patent No.:** **US D630,906 S**

(45) **Date of Patent:** **\*\* Jan. 18, 2011**

(54) **CONDIMENT GRINDER**

(76) **Inventor:** **Tom Tao Wen**, 2275 Huntington Dr.,  
#457, San Marin, CA (US) 91018

(\*\*) **Term:** **14 Years**

(21) **Appl. No.:** **29/347,000**

(22) **Filed:** **Nov. 10, 2009**

(51) **LOC (9) Cl.** ..... **07-04**

(52) **U.S. Cl.** ..... **D7/679**

(58) **Field of Classification Search** ..... D7/679,  
D7/590-597; 222/142.1-142.9, 480; 241/168,  
241/169, 169.1, 273.1-273.4

See application file for complete search history.

(56) **References Cited**

**U.S. PATENT DOCUMENTS**

2,026,738	A *	1/1936	Jennings	.....	222/173
D104,167	S *	4/1937	Mackelfresh, Jr.	.....	D7/597
D381,561	S *	7/1997	Manca	.....	D7/590
D405,324	S *	2/1999	Tisdale	.....	D7/590
D406,492	S *	3/1999	Kibbe et al.	.....	D7/591
D445,306	S *	7/2001	Yu	.....	D7/596
7,234,658	B2 *	6/2007	Lee	.....	241/169.1

\* cited by examiner

*Primary Examiner*—Terry A Wallace

(74) *Attorney, Agent, or Firm*—Karl F. Milde, Jr.; Eckert  
Seamans Cherin & Mellott, LLC

(57) **CLAIM**

The ornamental design for a condiment grinder, as shown and described.

**DESCRIPTION**

FIG. 1 is a perspective view of the condiment grinder according to the present design.

FIG. 2 is a top view of the grinder shown in FIG. 1.

FIG. 3 is a bottom view of the grinder shown in FIG. 1.

FIG. 4 is a side view showing one side of the grinder of FIG. 1 with a hidden crank.

FIG. 5 is a side view showing the opposite side of the grinder to that of FIG. 4 with an opening for dispensing a condiment.

FIG. 6 is a side view showing another side of the grinder of FIG. 1 with a hidden crank.

FIG. 7 is a side view showing the opposite side of the grinder to that of FIG. 6 with an opening for dispensing a condiment.

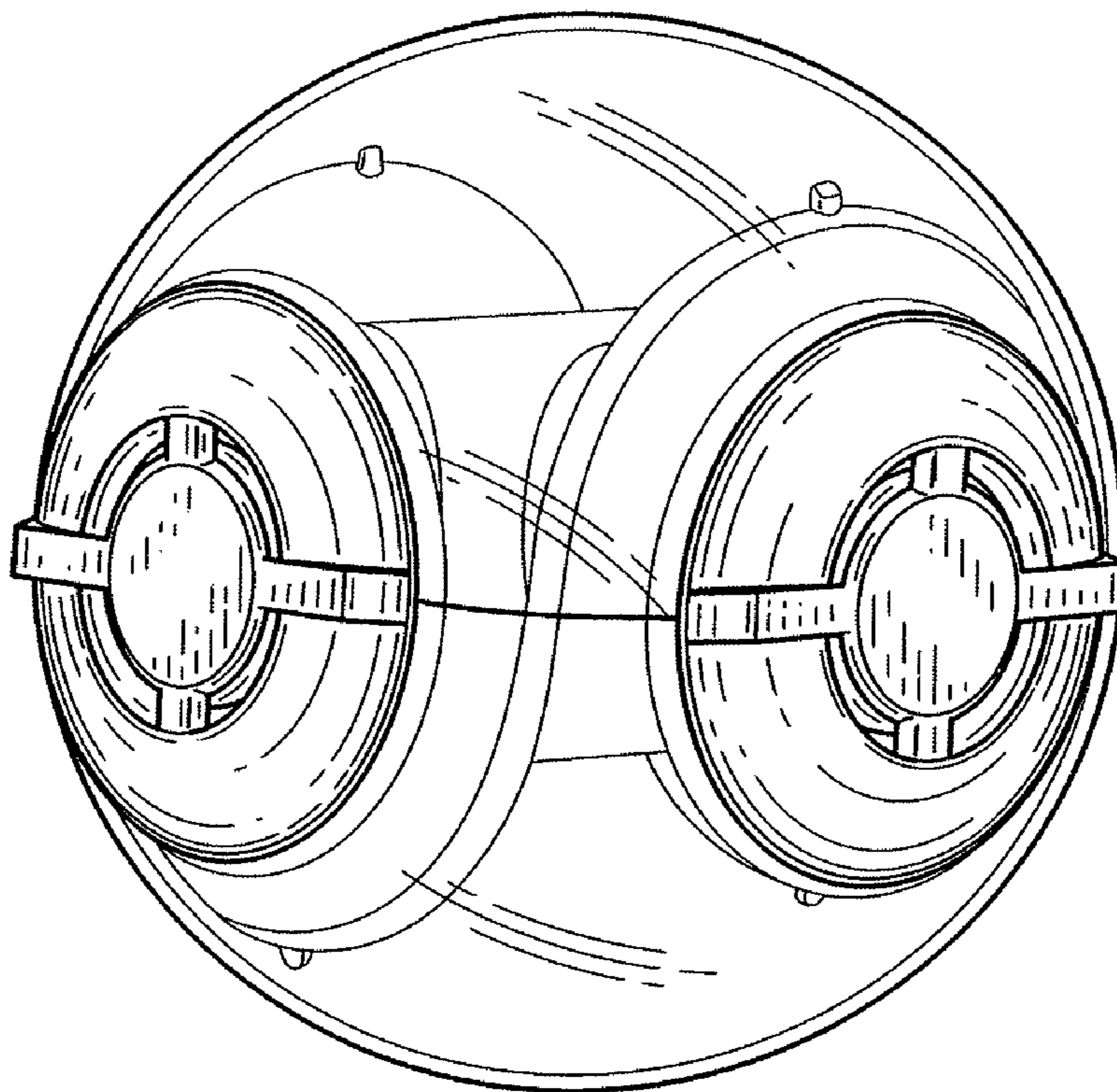
FIG. 8 is a side view, similar to that of FIG. 5, showing an open crank on the side shown in FIG. 6

FIG. 9 is a side view showing the grinder of FIG. 1 with a cap removed and arranged adjacent to the grinder.

FIG. 10 is a side view thereof showing an open crank; and,

FIG. 11 is a side view thereof showing two open cranks.

**1 Claim, 6 Drawing Sheets**



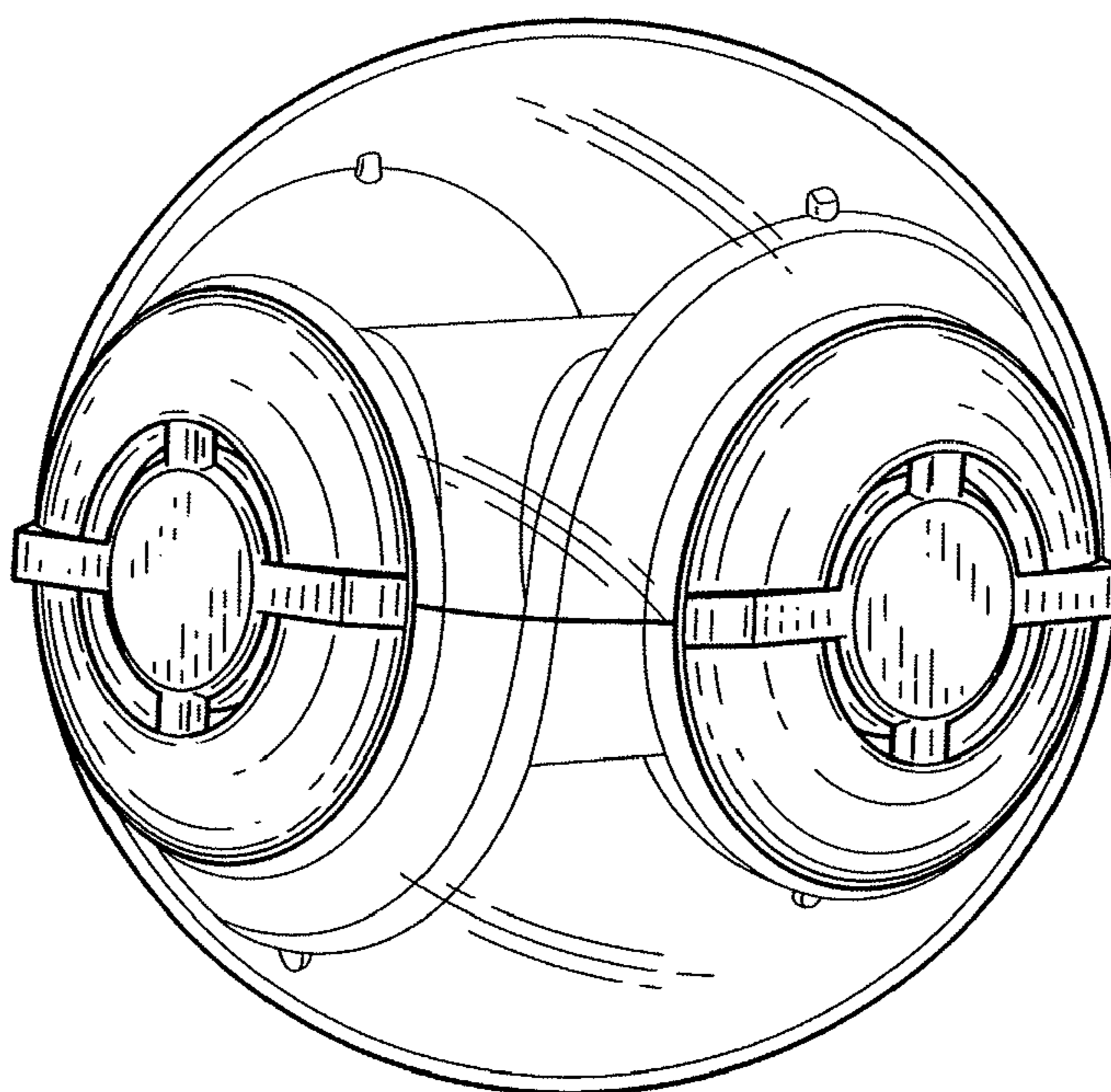


FIG. 1

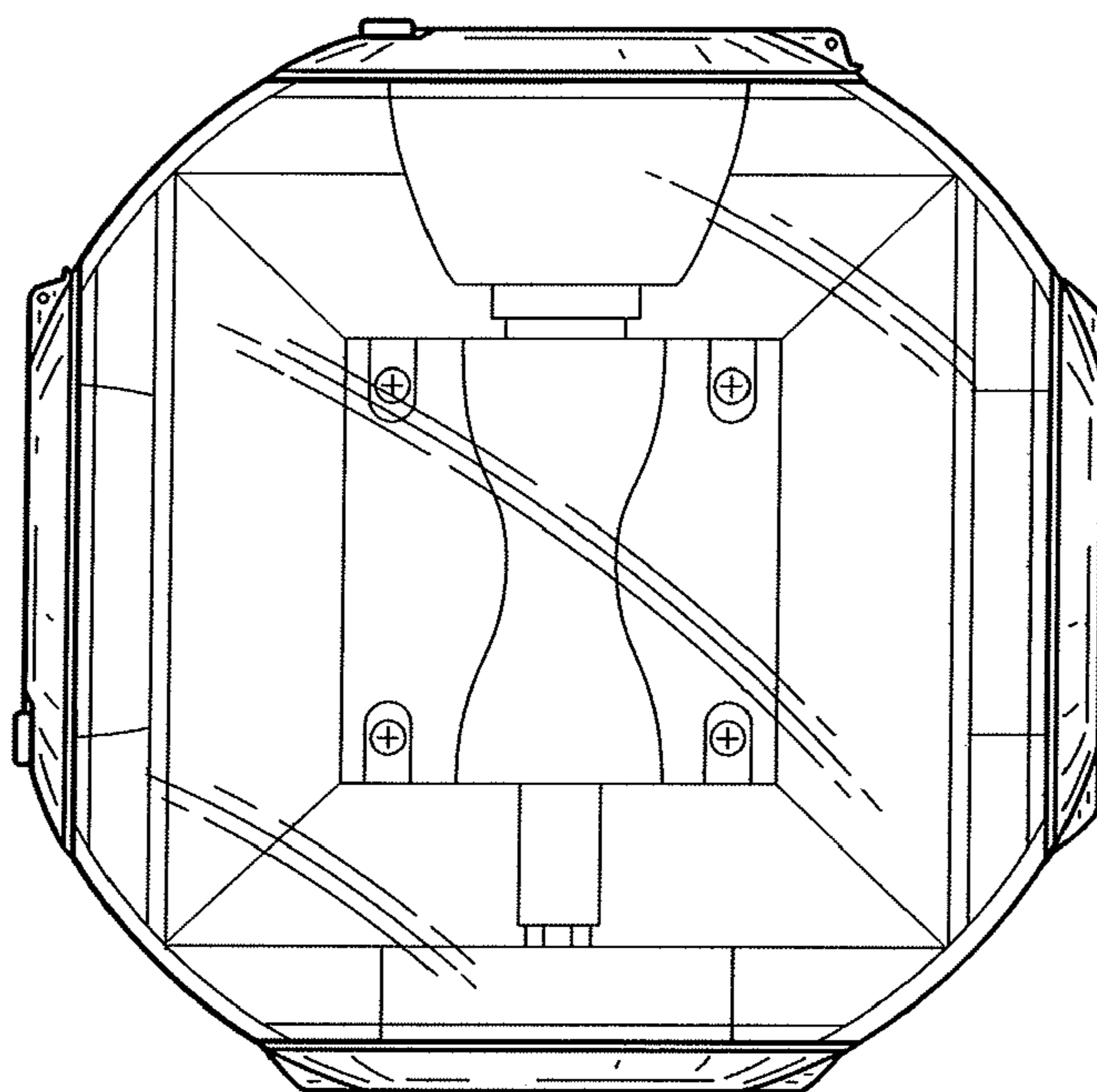


FIG. 2

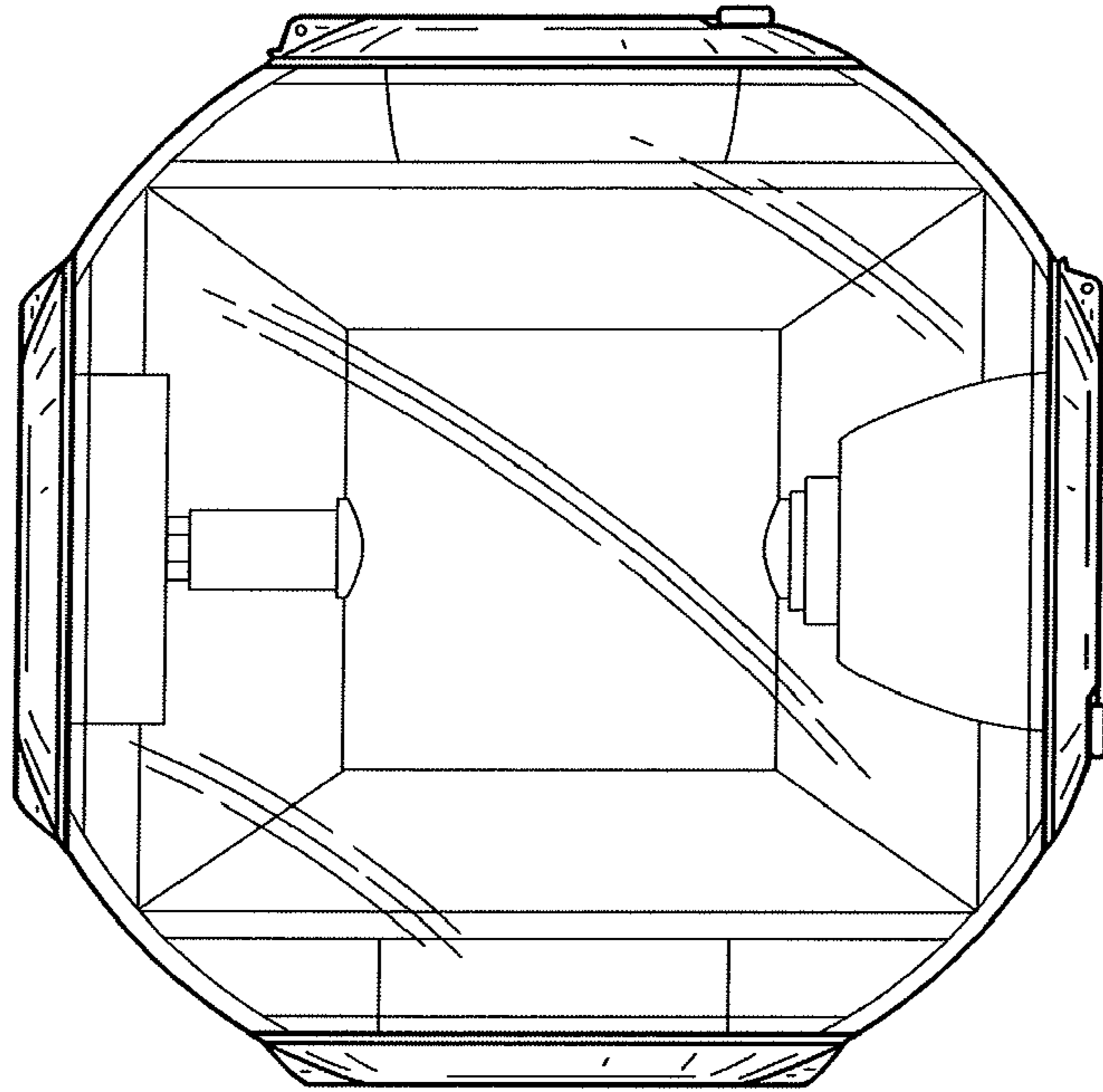


FIG. 3

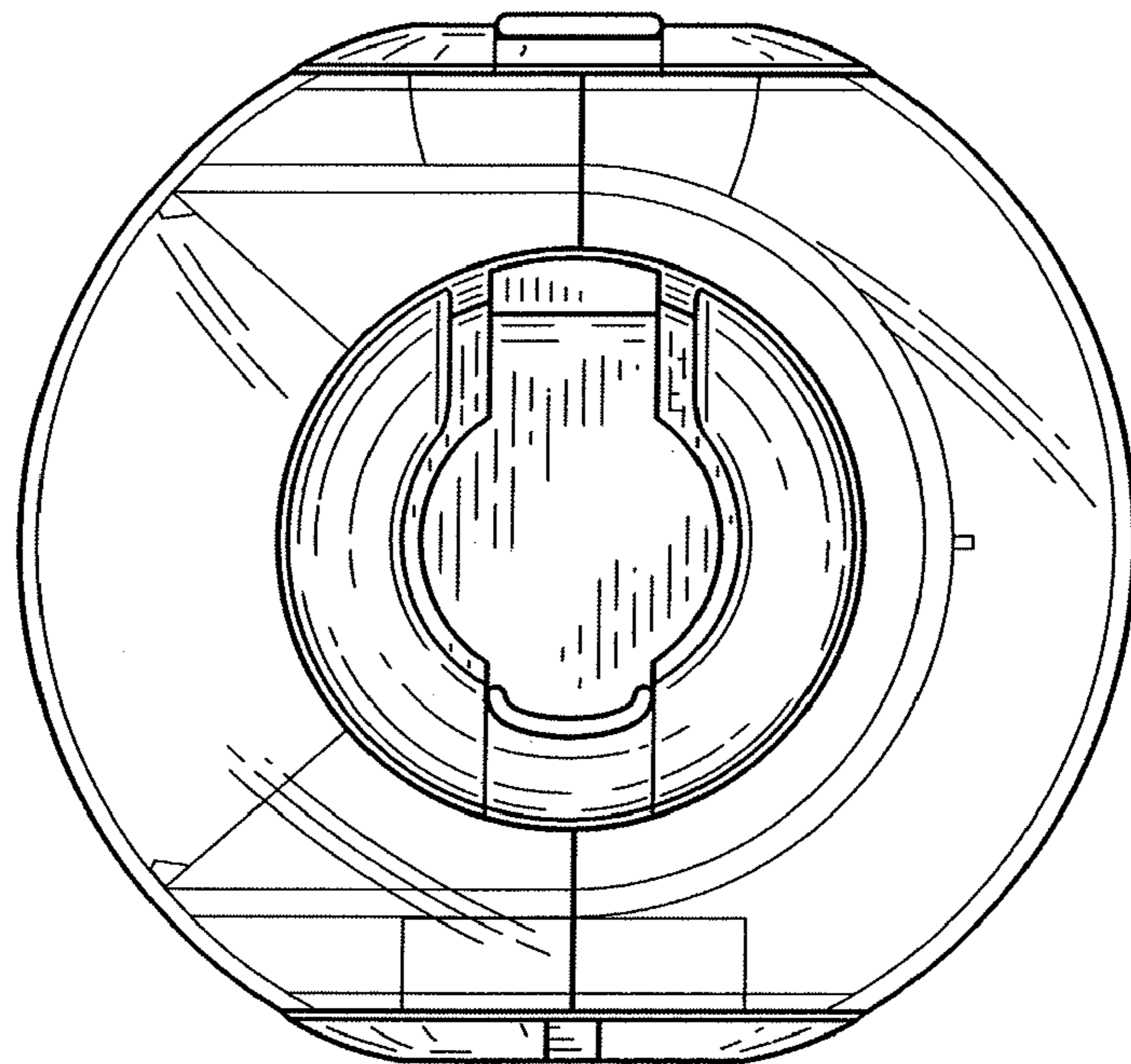


FIG. 4

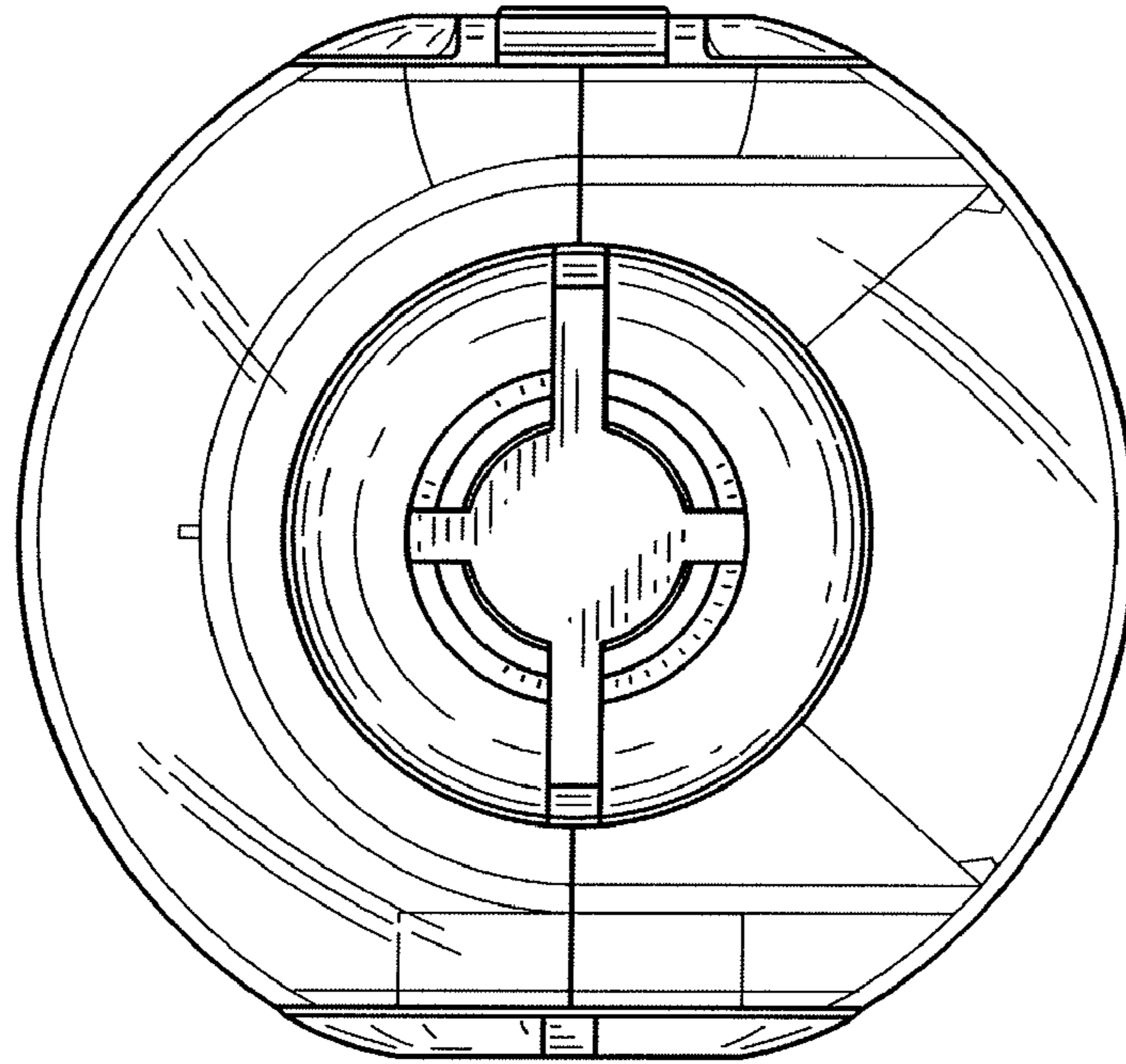


FIG. 5

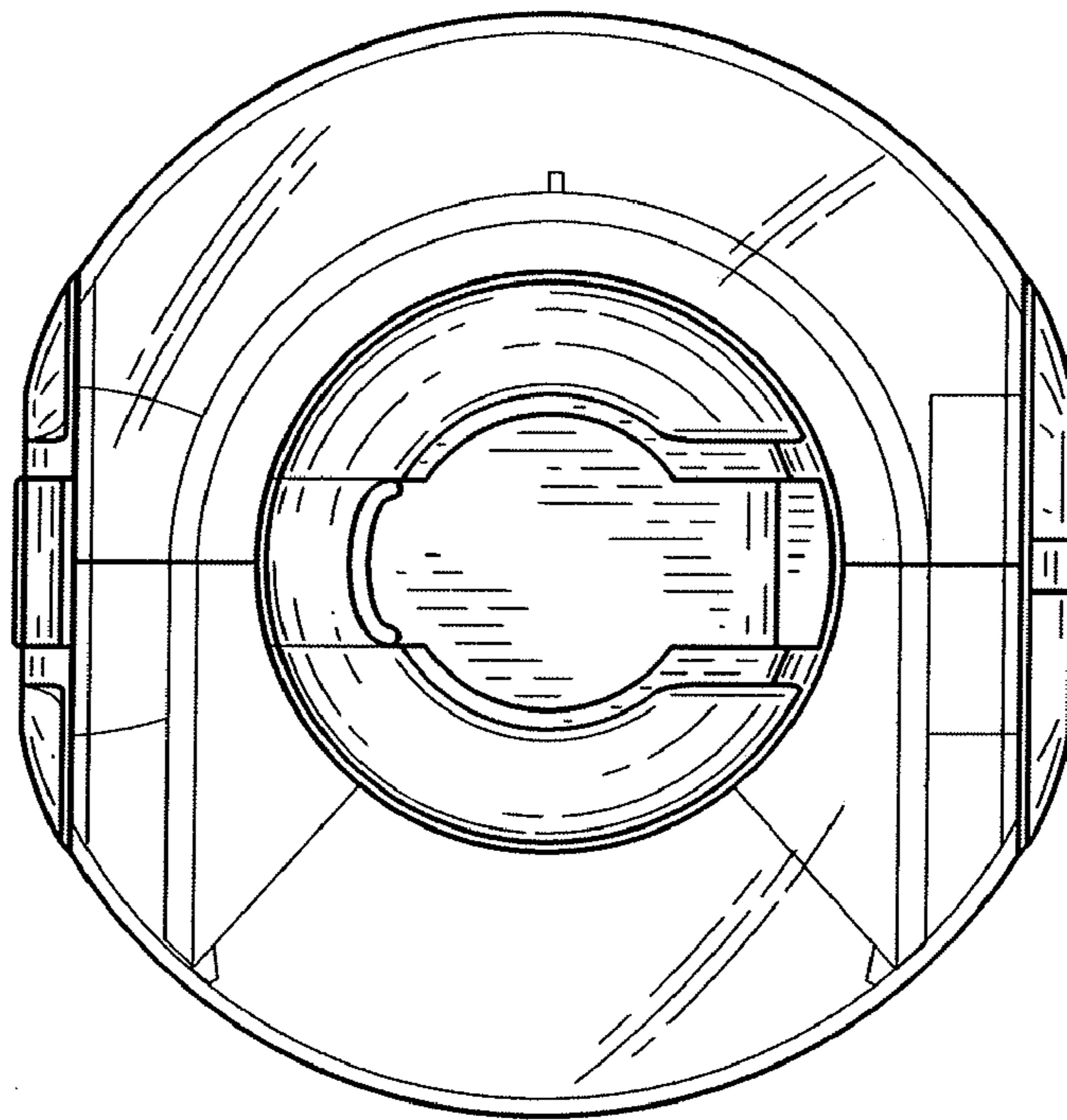


FIG. 6

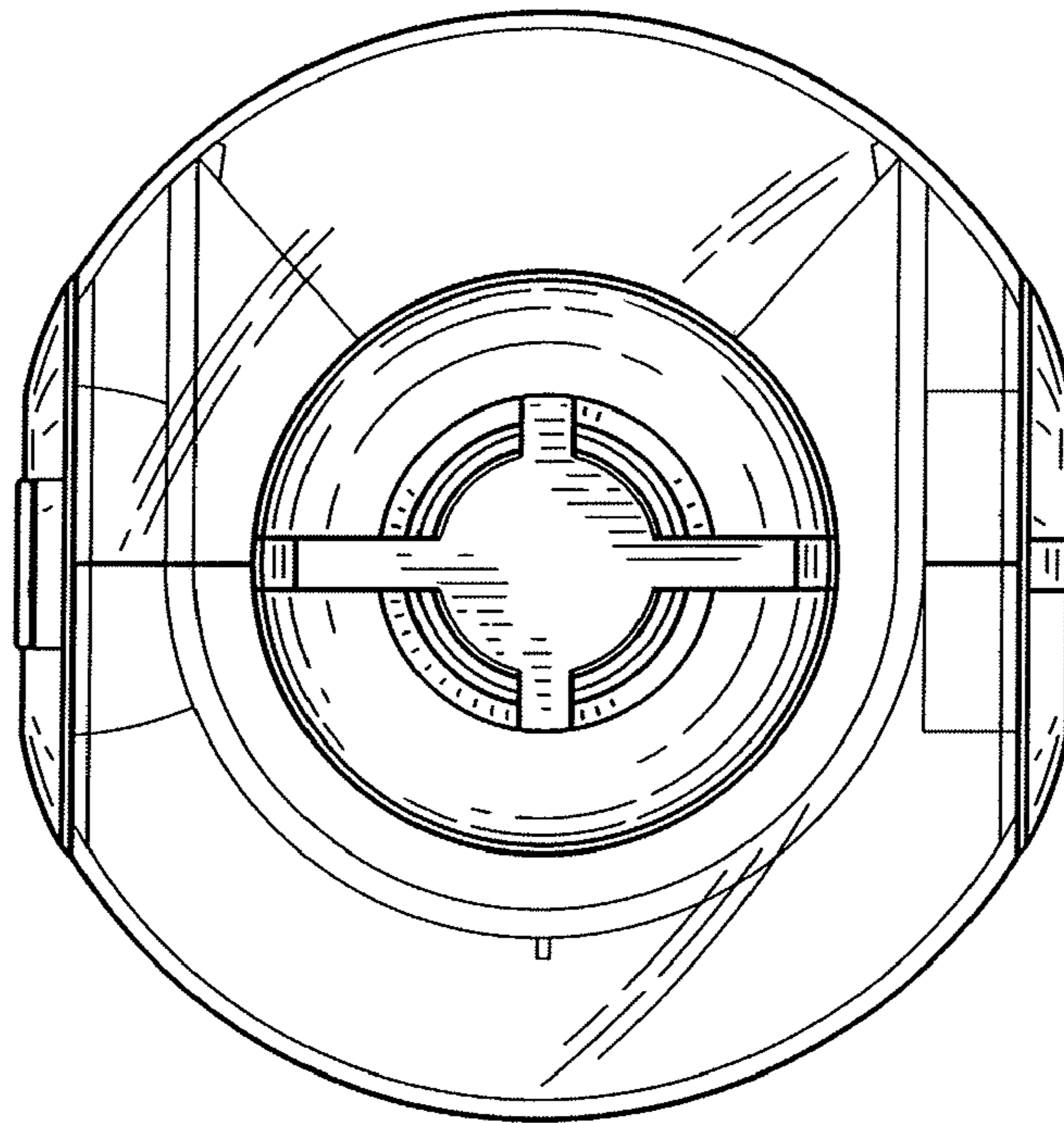


FIG. 7

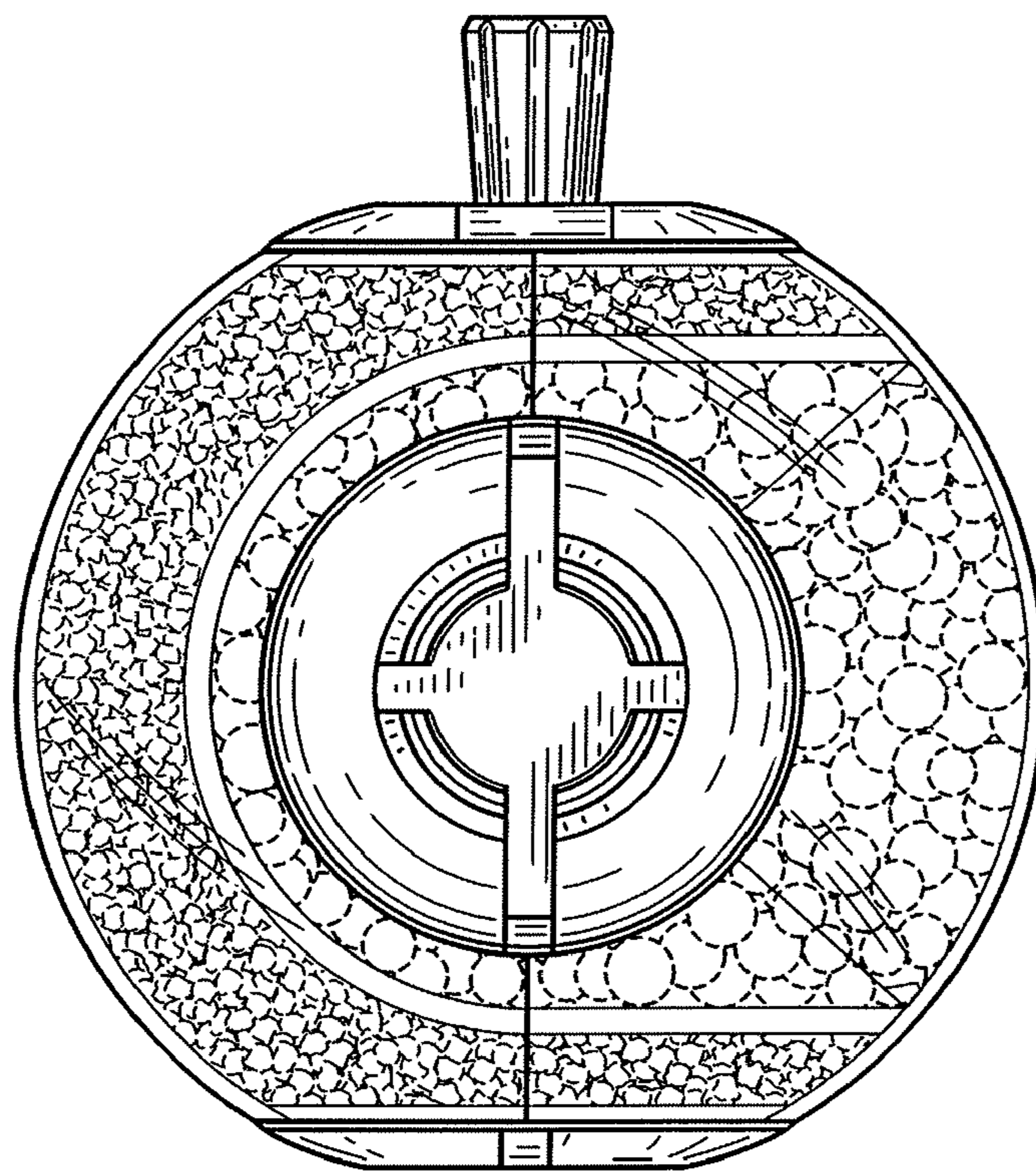


FIG. 8

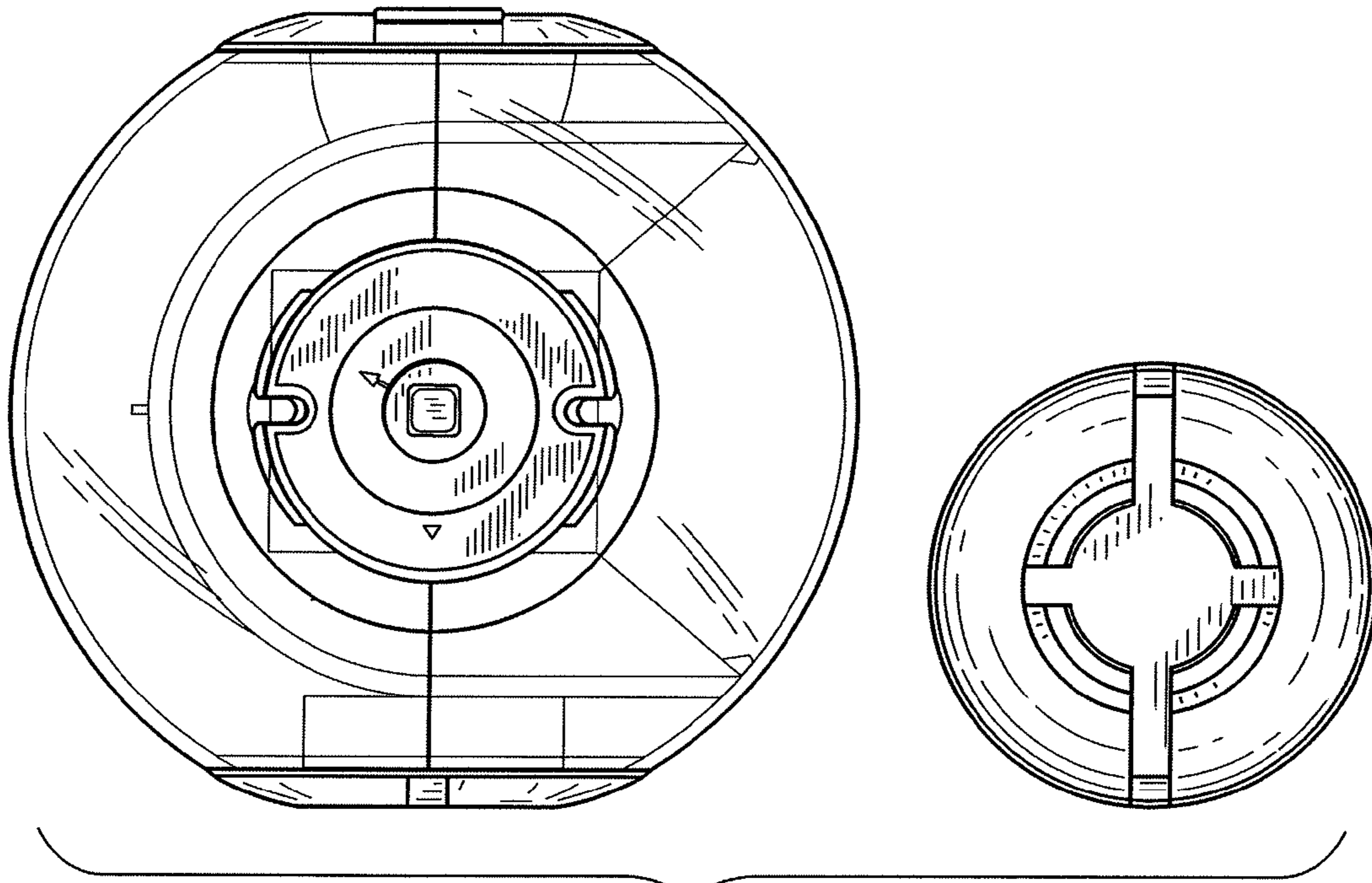


FIG. 9

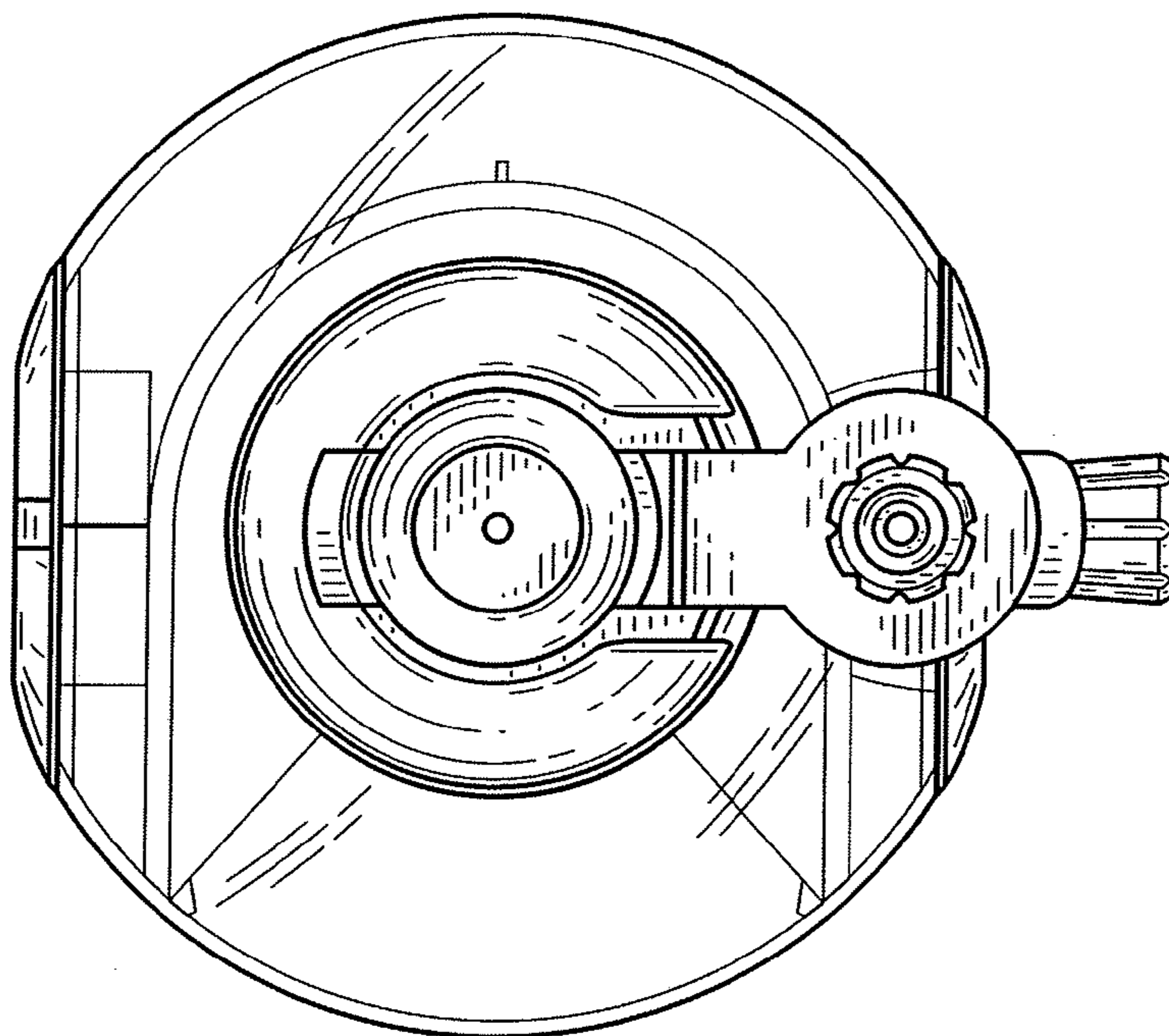


FIG. 10

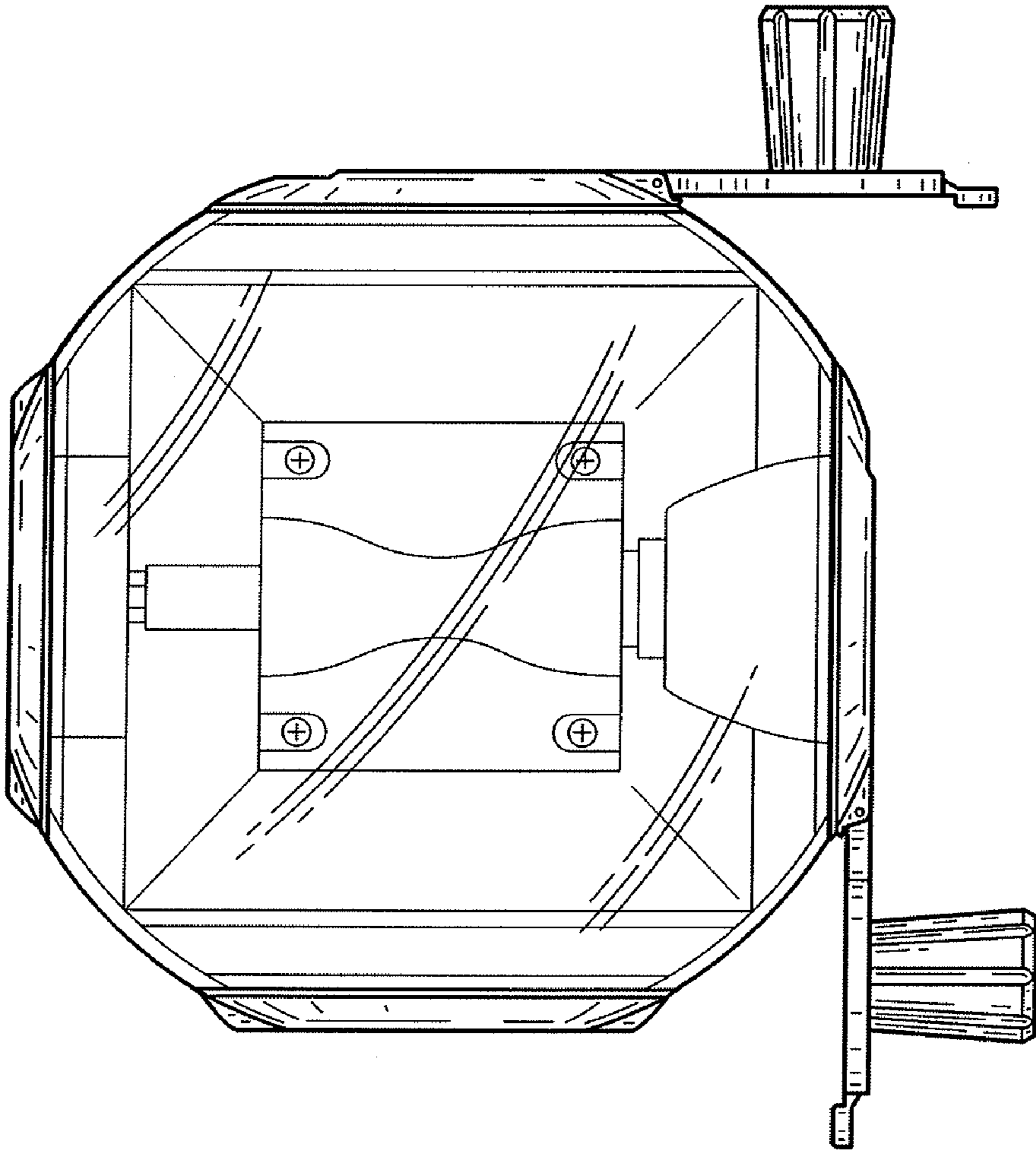


FIG. 11