



US00D630905S

(12) **United States Design Patent**
Cornu et al.

(10) **Patent No.:** **US D630,905 S**
(45) **Date of Patent:** **** Jan. 18, 2011**

(54) **CONTAINER FOR SALAD**

(75) Inventors: **Judicaël Cornu**, Brussels (BE);
Jan-Hendrik de Groote, Brussels (BE)

(73) Assignee: **Dart Industries Inc.**, Orlando, FL (US)

(**) Term: **14 Years**

(21) Appl. No.: **29/349,336**

(22) Filed: **Mar. 25, 2010**

(51) **LOC (9) Cl.** **07-01**

(52) **U.S. Cl.** **D7/629; D7/538**

(58) **Field of Classification Search** D7/500,
D7/538, 542-543, 545, 586-587, 601-603,
D7/612, 615, 629-630; D3/273, 302; 220/573.1,
220/660, 669-673, 675, 912, 915.1; D9/500,
D9/502-503, 424-425, 428-429; 206/216-217,
206/208

See application file for complete search history.

(56) **References Cited**

U.S. PATENT DOCUMENTS

2,745,642	A	5/1956	Hermann	
4,471,880	A *	9/1984	Taylor et al.	220/792
4,634,003	A	1/1987	Ueda et al.	
5,035,320	A	7/1991	Plone	
5,209,348	A	5/1993	Schafer, III	
D344,210	S *	2/1994	Cousins et al.	D7/629
5,356,026	A *	10/1994	Andress et al.	206/508
5,415,309	A *	5/1995	Wang	220/4.27
D411,714	S *	6/1999	Wilson et al.	D7/629
D447,917	S	9/2001	Miller et al.	
6,302,268	B1	10/2001	Michaeli	
6,581,795	B1	6/2003	Schülein et al.	
D510,503	S *	10/2005	Tollman	D7/538
D527,958	S	9/2006	Ho	
7,163,102	B2	1/2007	Palamara et al.	
D537,300	S *	2/2007	Kim	D7/629
D547,646	S *	7/2007	Crawford et al.	D9/420
D575,114	S *	8/2008	Moghavem	D7/629

D593,814	S *	6/2009	Yu	D7/629
D597,796	S *	8/2009	Roth et al.	D7/629
2004/0035867	A1	2/2004	Schultz et al.	
2006/0037485	A1	2/2006	Ho	
2006/0185990	A1	8/2006	Rybar et al.	
2006/0191805	A1	8/2006	Vogel et al.	
2006/0272964	A1	12/2006	Vogel et al.	
2007/0000922	A1	1/2007	Vovan et al.	
2007/0172556	A1	7/2007	Berrysmith	
2007/0235457	A1	10/2007	Merey	

OTHER PUBLICATIONS

Fit & Fresh Salad Shaker; Medport LLC; Jul. 2008.
Go Go Salad® Travel Container with Dressing Dispenser; Range
Kleen Mfg., Inc.; Jul. 2008.
Curves® Salad Shaker; Jul. 2008.

* cited by examiner

Primary Examiner—Charles A Rademaker

Assistant Examiner—Dana L Sipos

(74) *Attorney, Agent, or Firm*—John A. Doninger

(57) **CLAIM**

The ornamental design for a container for salad, as shown and described.

DESCRIPTION

FIG. 1 is a top, side and front perspective view of a container for salad showing our new design;

FIG. 2 is a front elevation view, the rear elevation being a mirror image thereof;

FIG. 3 is a right side elevation thereof;

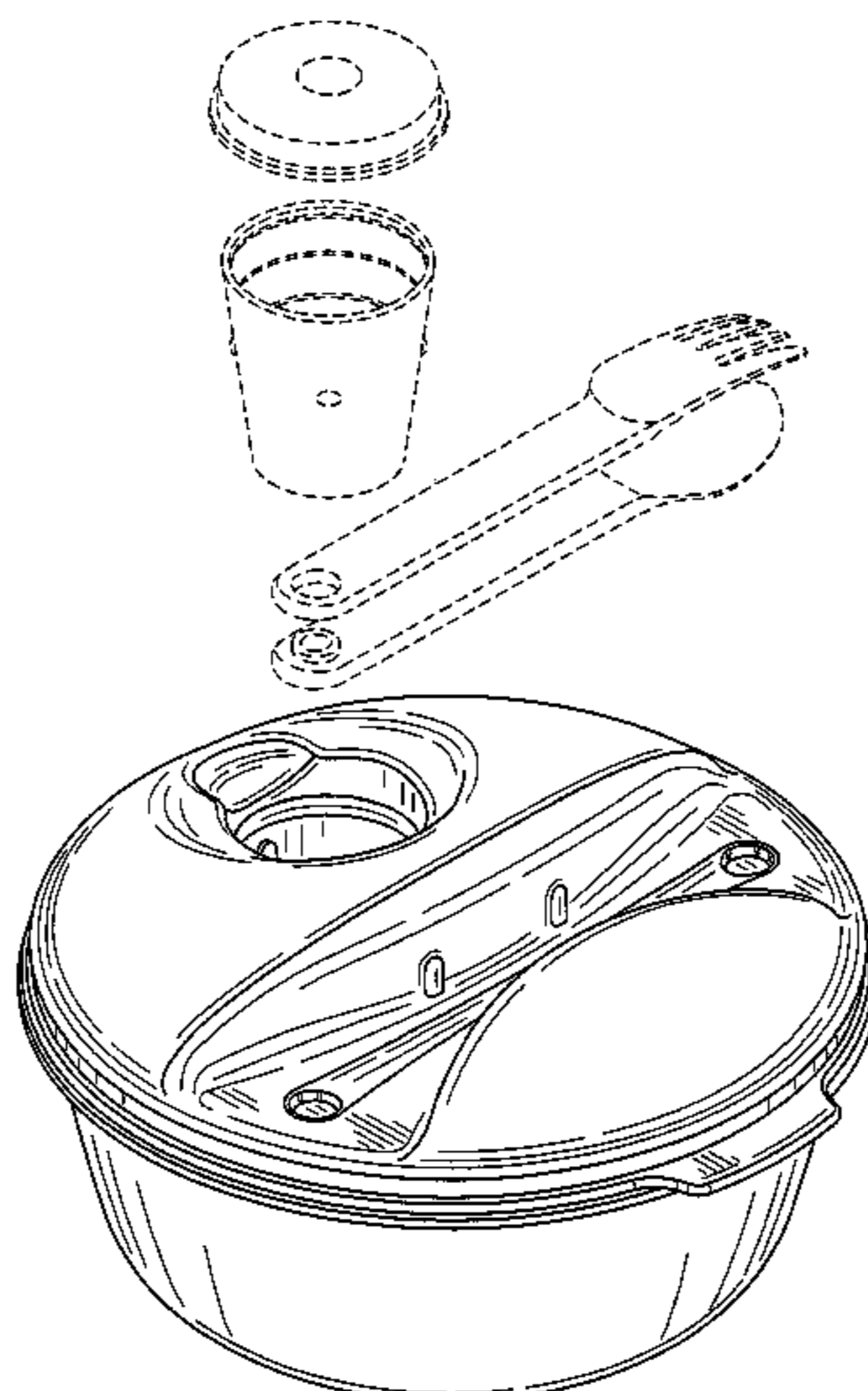
FIG. 4 is a left side elevation thereof;

FIG. 5 is a top plan view thereof;

FIG. 6 is a bottom plan view thereof; and,

FIG. 7 is a top, side and front perspective view of the design shown in FIG. 1, with utensils and a second container shown in phantom lines exploded away from the container.

1 Claim, 4 Drawing Sheets



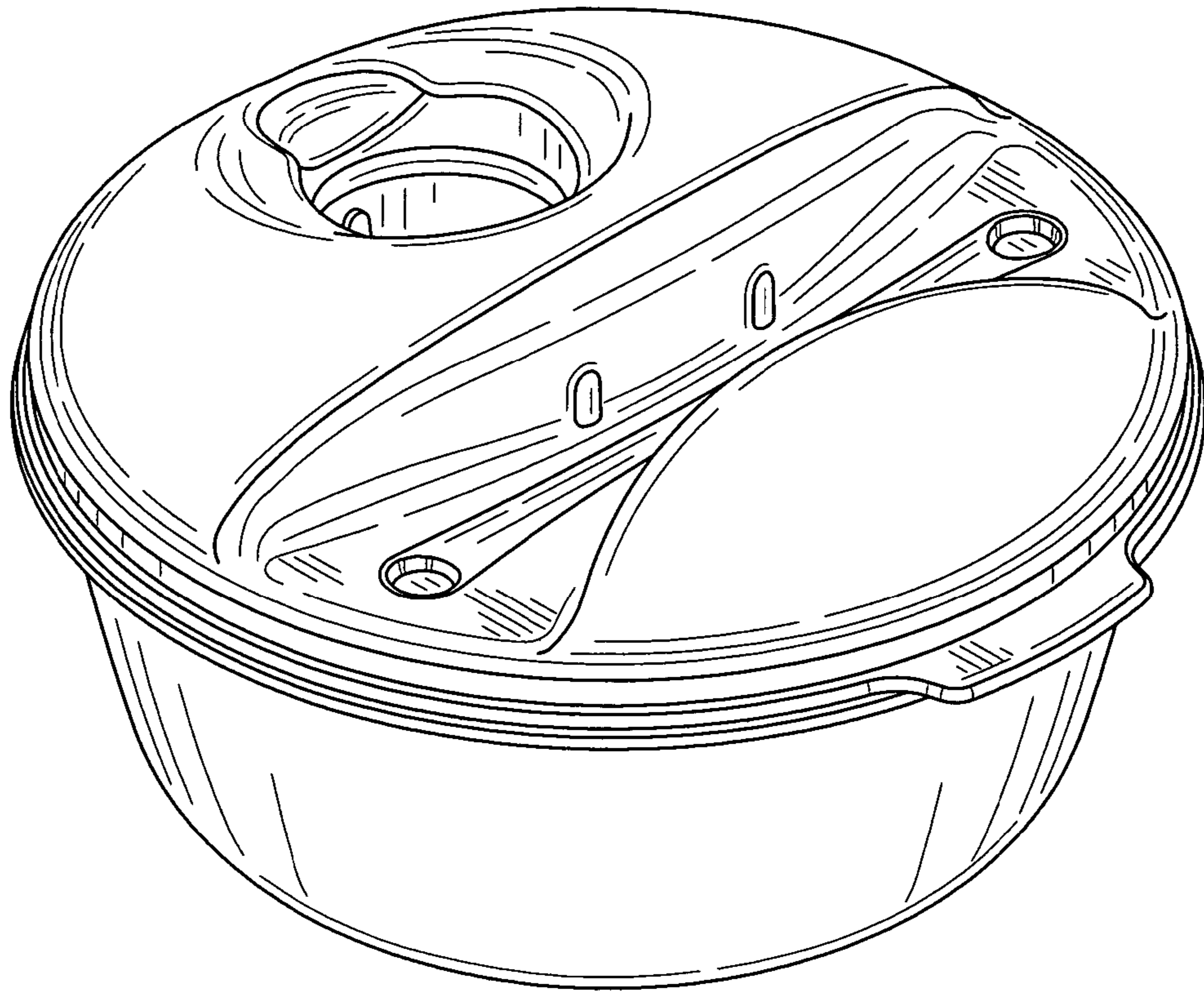


FIG. 1

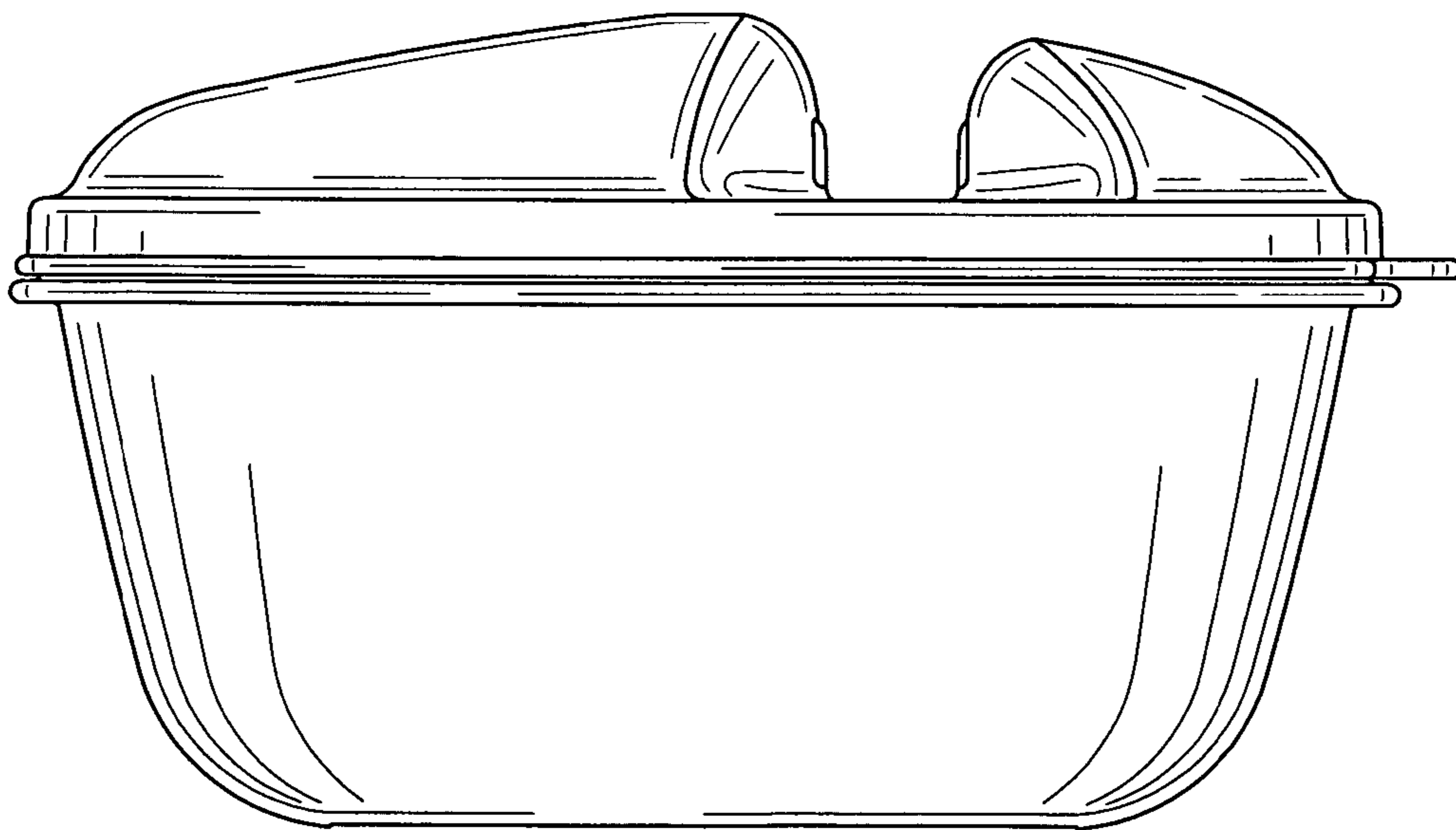


FIG. 2

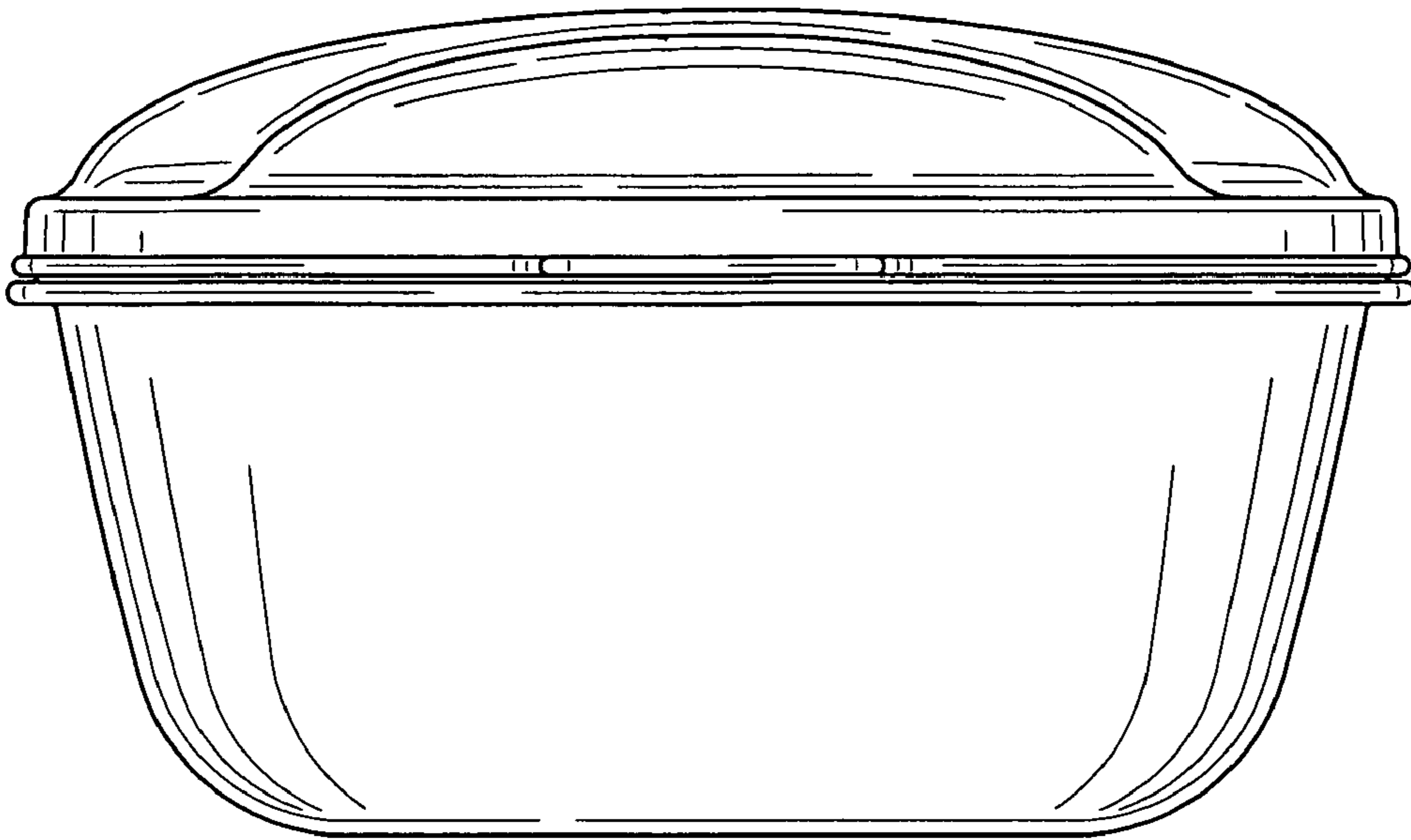


FIG. 3

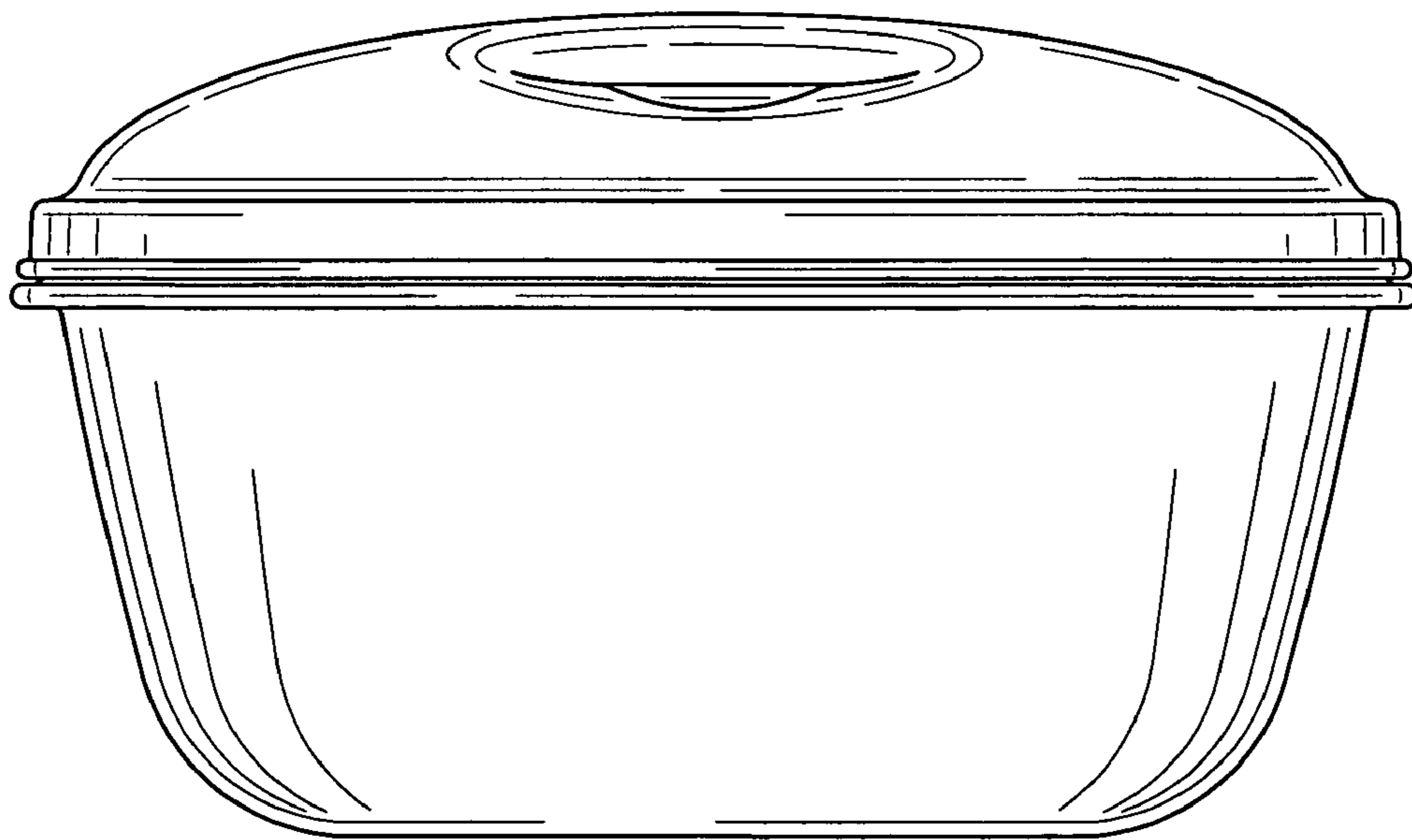


FIG. 4

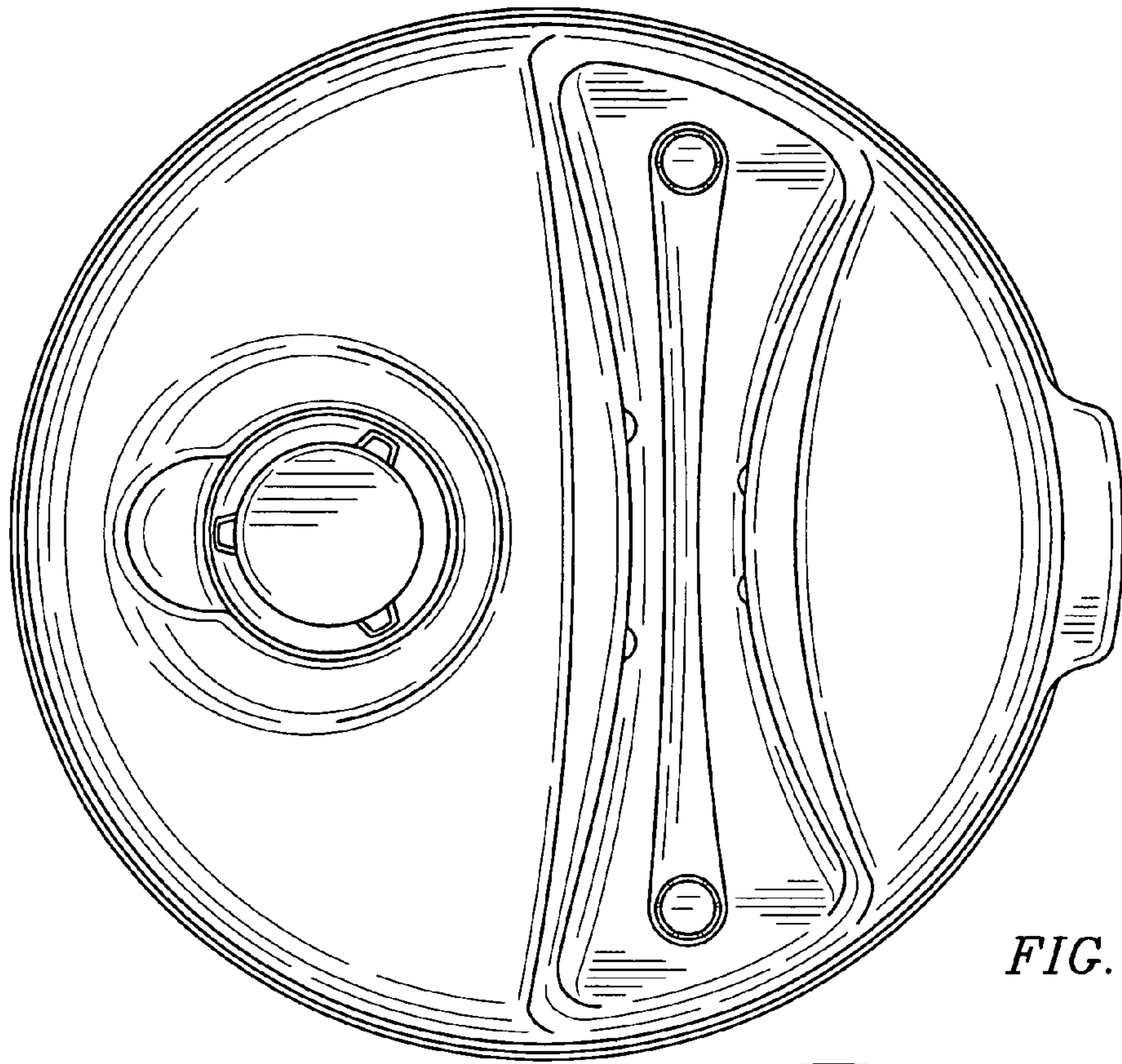


FIG. 5

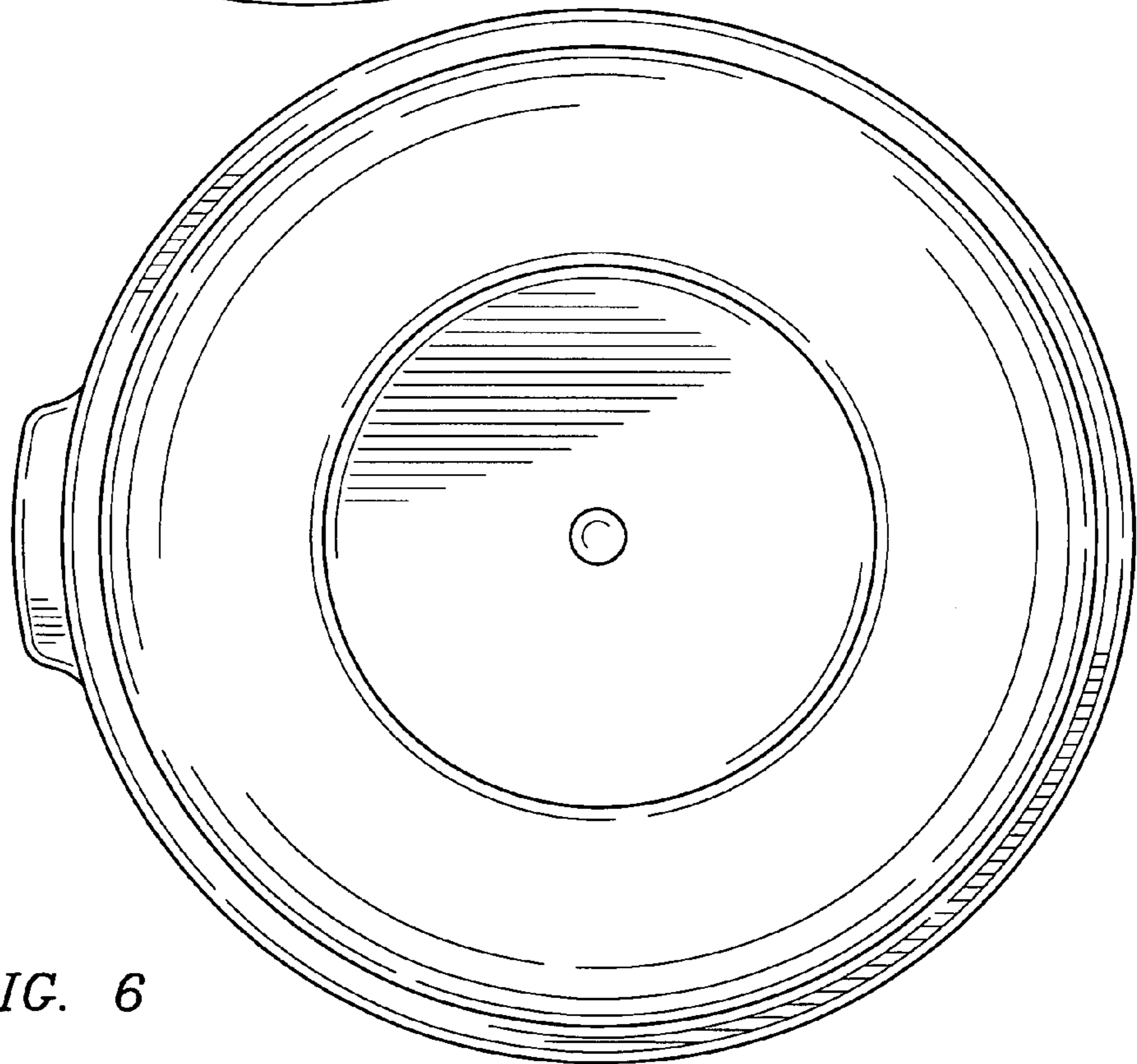


FIG. 6

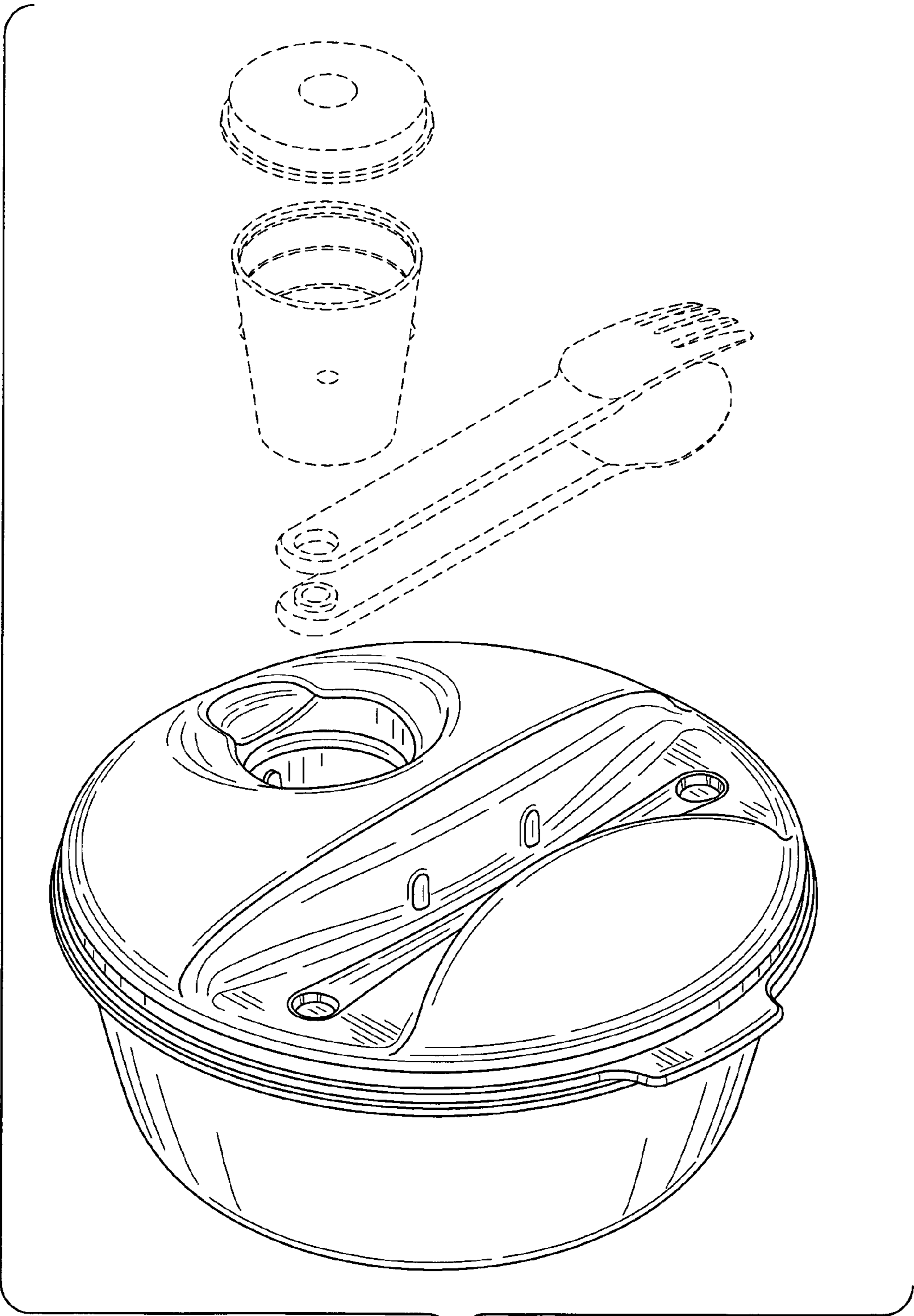


FIG. 7