



US00D630904S

(12) **United States Design Patent**
Zeilinger

(10) **Patent No.:** **US D630,904 S**
(45) **Date of Patent:** **** Jan. 18, 2011**

(54) **SPIDER SHAPED CUPCAKE HOLDER**

(76) Inventor: **James E. Zeilinger**, 2909 Drummond Rd., Cleveland, OH (US) 44120

(**) Term: **14 Years**

(21) Appl. No.: **29/349,108**

(22) Filed: **Mar. 10, 2010**

(51) **LOC (9) Cl.** **07-01**

(52) **U.S. Cl.** **D7/628; D7/601**

(58) **Field of Classification Search** D7/500,
D7/551.1, 551.3, 559, 567-569, 584, 586-587,
D7/571-573, 578, 590, 599, 600.1, 601-602,
D7/610, 625, 628, 530, 539, 704, 354; D11/49,
D11/82, 100, 127, 134, 143, 149, 158; D26/9,
D26/16-17, 22; D6/458, 462, 512, 535,
D6/566; D9/601, 630; D21/398, 576, 650,
D21/827, 832; D1/104-105; 211/13.1, 85.4,
211/85.31, 133.5, 181.1; 206/457; 220/574,
220/485, 491

See application file for complete search history.

(56) **References Cited**

U.S. PATENT DOCUMENTS

2,030,106 A	2/1936	Fortes	53/1
2,040,649 A	5/1936	Fortes	53/1
2,402,883 A	6/1946	Gavalis	99/440
D191,672 S *	10/1961	Haubert	D21/826
D211,649 S *	7/1968	Zick	D21/827
D211,977 S	8/1968	Beale	D9/199
D212,891 S *	12/1968	Rudy	D21/827
4,583,955 A	4/1986	Toloczko	446/73
5,040,626 A	8/1991	Paynter	180/8.1
D334,708 S	4/1993	Zinbarg et al.	D9/316
D385,511 S *	10/1997	Grimes	D11/222
D396,119 S	7/1998	Allison	D26/23
D512,807 S	12/2005	Haro	D1/107
D520,405 S *	5/2006	Prebil	D11/125

D546,193 S	7/2007	Scimone	D9/630
D552,409 S *	10/2007	Vendl et al.	D7/354
D563,732 S *	3/2008	Goodman et al.	D7/624.1
7,387,283 B2	6/2008	Franczyk	248/175
D574,662 S *	8/2008	Vendl et al.	D7/354
D575,096 S *	8/2008	Vendl et al.	D7/354
D578,337 S *	10/2008	Vendl et al.	D7/354
D578,338 S	10/2008	Vendl et al.	D7/354
D578,828 S *	10/2008	Vendl et al.	D7/559
D579,275 S *	10/2008	Vendl et al.	D7/559
D579,711 S *	11/2008	Vendl et al.	D7/354
D590,665 S	4/2009	Ehrenhaus et al.	D7/610

OTHER PUBLICATIONS

Spider Cupcake Holder, Crate & Barrel web site, < <http://www.crateandbarrel.com/holidays/halloween/spider-cupcake-holder/s685588> >. obtained Oct. 4, 2010.*

Spider Cupcake Holders, Crate & Barrel Best Buys Catalog, Fall 2010, p. 17, received Sep. 2010.*

* cited by examiner

Primary Examiner—Ian Simmons

Assistant Examiner—Dana L Sipos

(74) *Attorney, Agent, or Firm*—David A. Burge

(57) **CLAIM**

I claim the ornamental design for spider shaped cupcake holder, as shown and described.

DESCRIPTION

FIG. 1 is a perspective view of my new design;

FIG. 2 is a top view thereof;

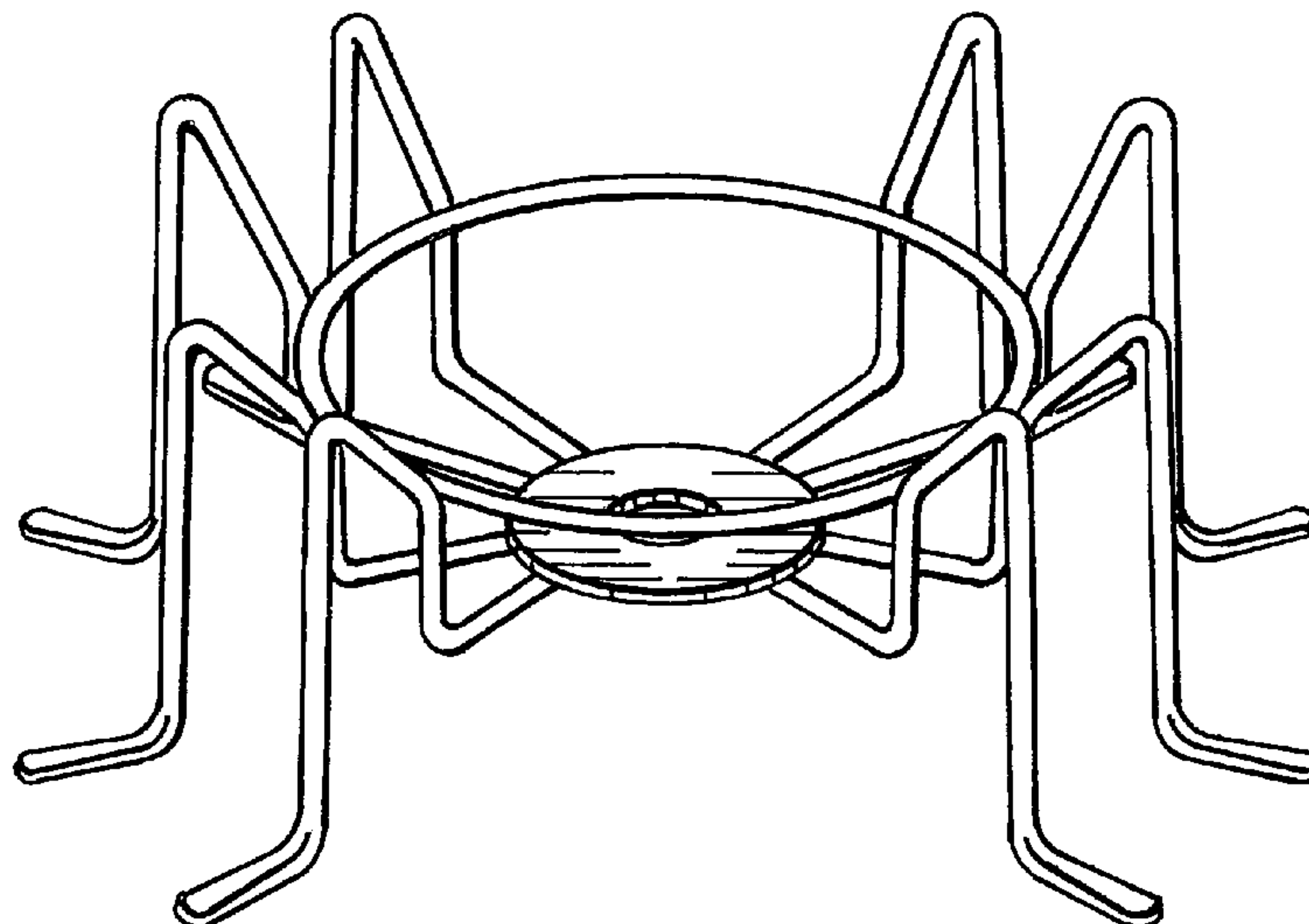
FIG. 3 is a bottom view thereof;

FIG. 4 is a right side view thereof, the left side view being a mirror image hereof;

FIG. 5 is a front view thereof; and,

FIG. 6 is a rear view thereof.

1 Claim, 3 Drawing Sheets



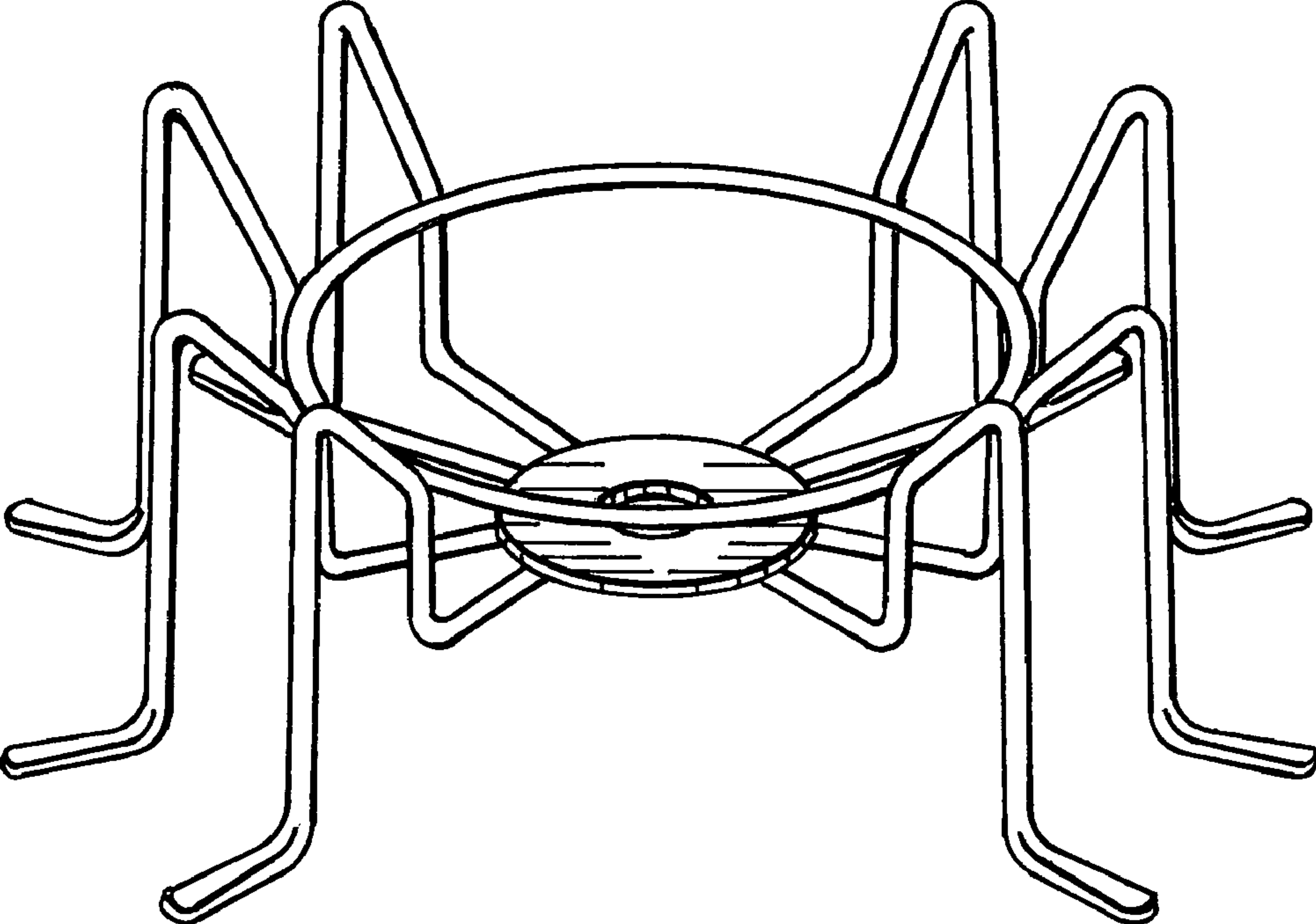


FIG. 1

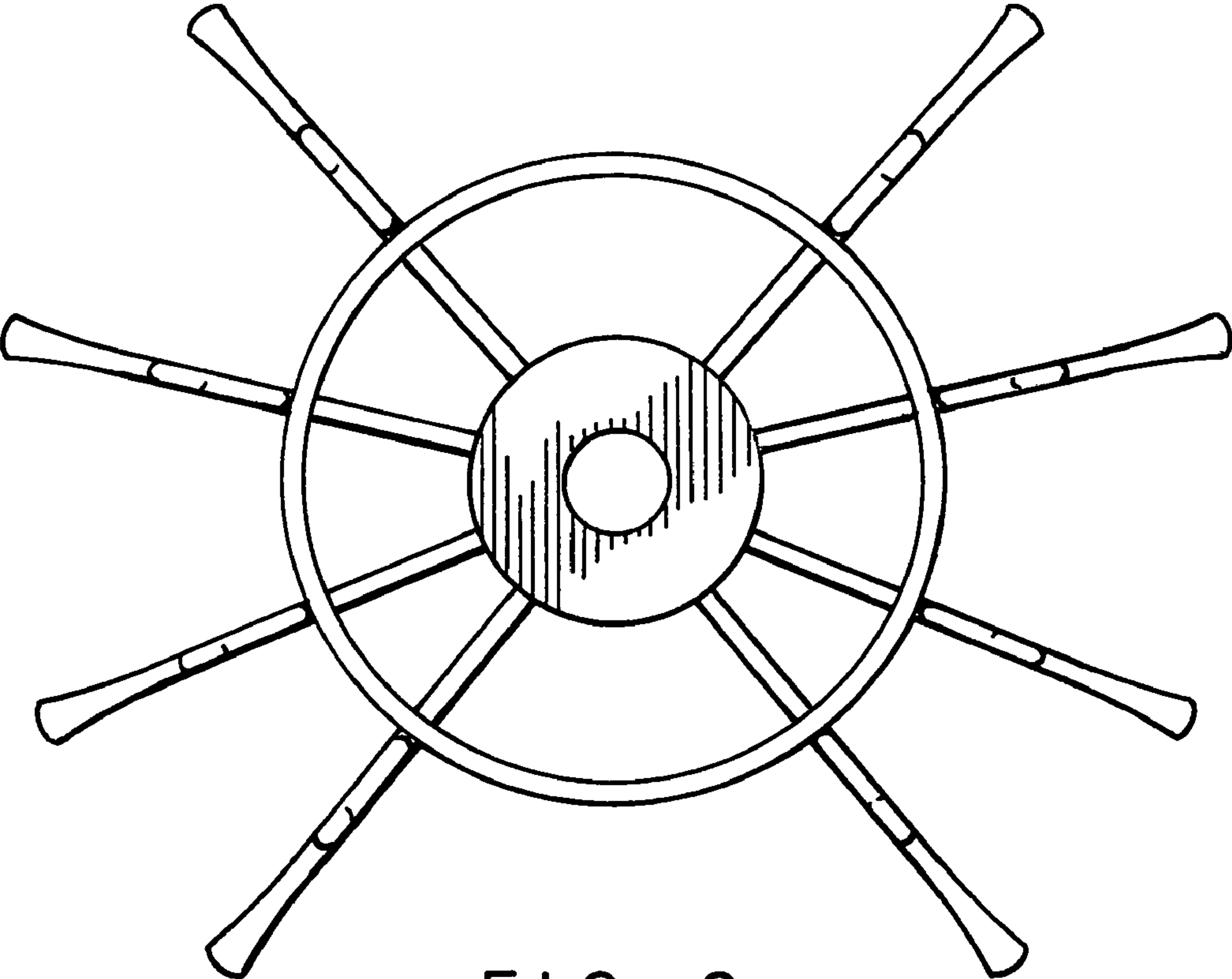


FIG. 2

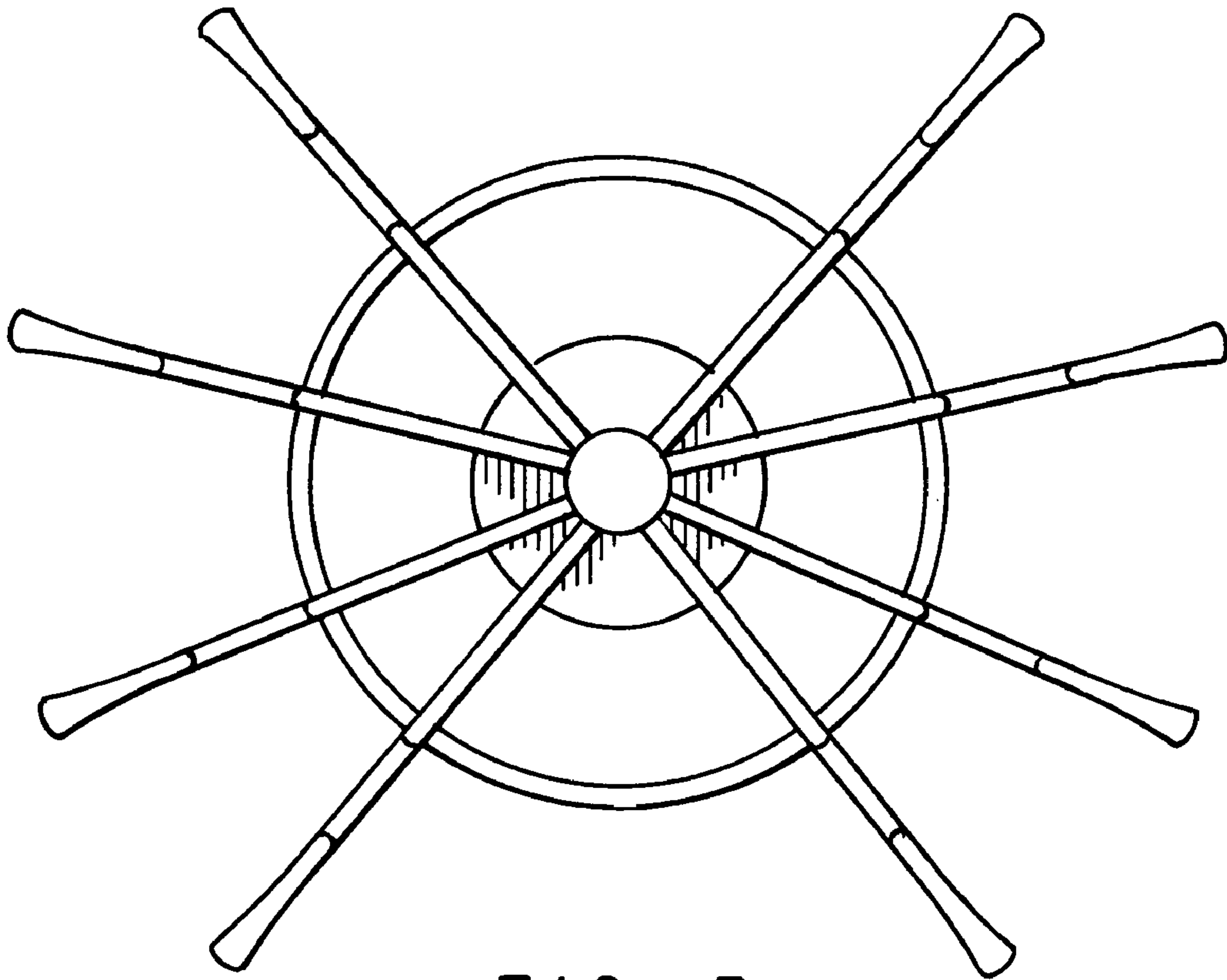


FIG. 3

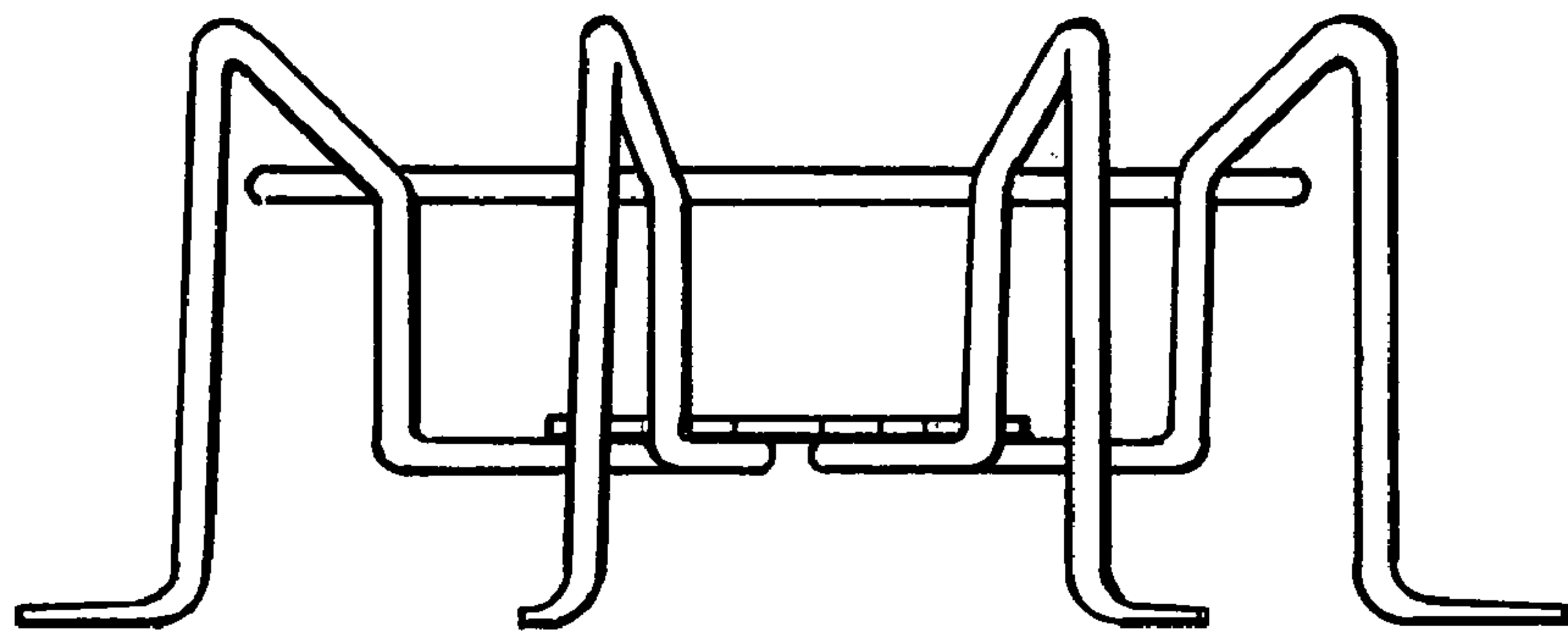


FIG. 4

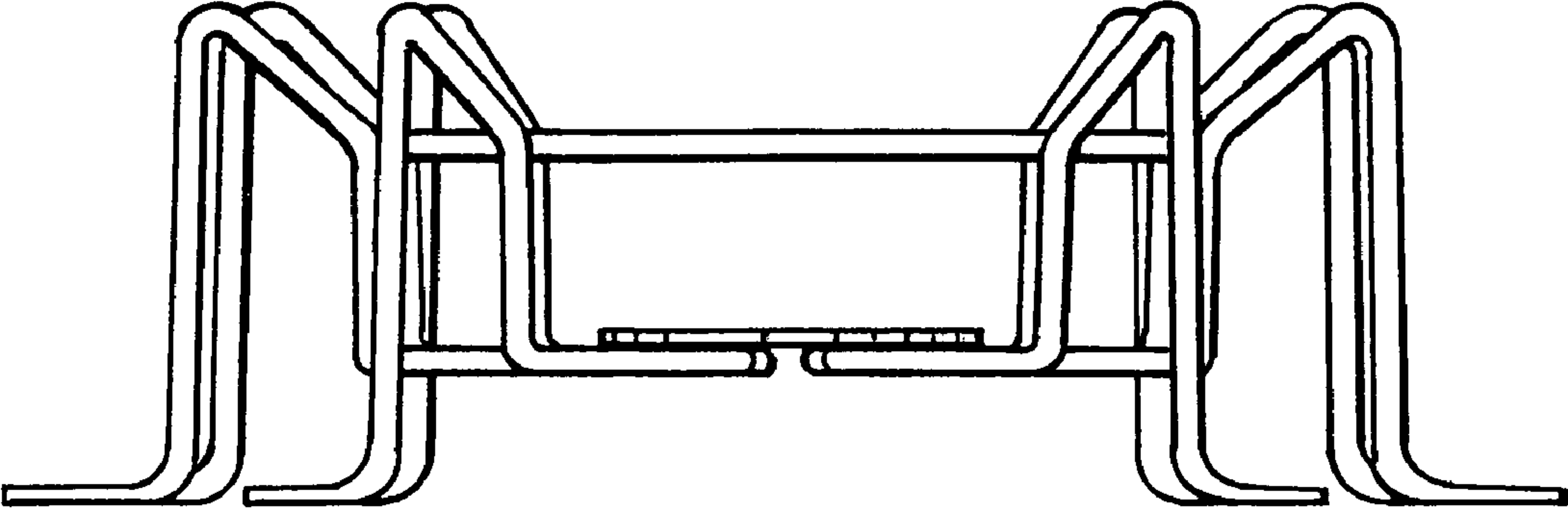


FIG. 5

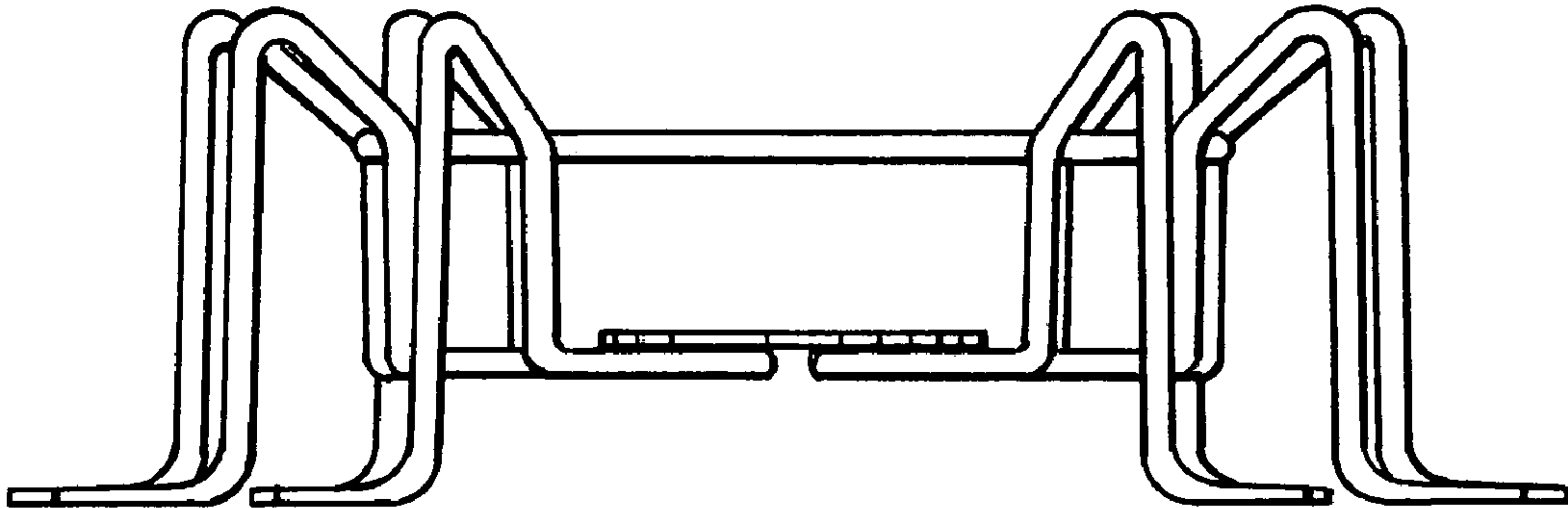


FIG. 6