



US00D630897S

(12) **United States Design Patent**
Jarvis et al.

(10) **Patent No.:** **US D630,897 S**
(45) **Date of Patent:** **** Jan. 18, 2011**

(54) **FOOD HEATING PELLET CARRIER**

(75) Inventors: **Charles W. Jarvis**, Irvine, CA (US); **Jeff Nicholson**, Long Beach, CA (US); **Jorge Baez**, Lake Forest, CA (US); **Fred Gates**, El Camino, CA (US)

(73) Assignee: **Cambro Manufacturing Company**, Huntington Beach, CA (US)

(**) Term: **14 Years**

(21) Appl. No.: **29/362,569**

(22) Filed: **May 27, 2010**

(51) **LOC (9) Cl.** **07-02**

(52) **U.S. Cl.** **D7/407; D9/428**

(58) **Field of Classification Search** D9/414–418, D9/420–426, 430–432, 761, 737, 757, 428; D7/354–360, 629, 602, 412, 505, 542–545, D7/553.1–553.8, 538, 557, 564–565, 583–587, D7/591, 615; 206/315.9, 467, 485, 521.1, 206/539, 564, 541, 546, 588, 766, 779; 220/23.8, 220/23.83, 281, 315, 324, 326, 367, 523, 220/556, 574, 675, 4.21, 4.23, 782, 835, 220/839; 229/406, 902–904, 906, 407, 110
See application file for complete search history.

(56) **References Cited**

U.S. PATENT DOCUMENTS

3,229,886	A	*	1/1966	Grogel	D7/584
D235,302	S	*	6/1975	Lanigan et al.	D9/428
D248,076	S	*	6/1978	Christian	D7/545
D266,818	S	*	11/1982	Trombly	D7/392.1
D298,295	S	*	11/1988	Finsilver et al.	D7/545
D312,948	S	*	12/1990	Unger	D7/585
D352,207	S	*	11/1994	Jaworski	D7/565
5,423,451	A	*	6/1995	Snyder	D7/538
D383,646	S	*	9/1997	Jeppesen et al.	D7/584
D391,118	S	*	2/1998	Jørgensen	D7/586

D404,258	S	*	1/1999	Indekeu	D7/585
D404,614	S	*	1/1999	Indekeu	D7/587
D416,445	S	*	11/1999	Henry	D7/584
D478,253	S	*	8/2003	Maier-Aichen	D7/584
D478,474	S	*	8/2003	Zettle	D7/545
D480,909	S	*	10/2003	Morgan	D7/354
D482,575	S	*	11/2003	Mountain	D7/586
D483,230	S	*	12/2003	Mountain	D7/586
D487,672	S	*	3/2004	Cote et al.	D7/545
D494,818	S	*	8/2004	Jalet et al.	D7/584
D497,287	S	*	10/2004	Glander et al.	D7/565
D509,106	S	*	9/2005	de Groote et al.	D7/587
D549,050	S	*	8/2007	Spencer et al.	D7/538
D565,356	S	*	4/2008	Mellen et al.	D7/586
D575,992	S	*	9/2008	LeGreve et al.	D7/586
D591,590	S	*	5/2009	Wilson et al.	D9/428
D591,591	S	*	5/2009	Moecks et al.	D9/428
D594,324	S	*	6/2009	Colacitti	D9/425
D594,326	S	*	6/2009	Colacitti	D9/425

* cited by examiner

Primary Examiner—T. Chase Nelson

Assistant Examiner—Mark Cavanna

(74) *Attorney, Agent, or Firm*—George F. Bethel

(57) **CLAIM**

We claim the ornamental design for a food heating pellet carrier, as shown and described.

DESCRIPTION

FIG. 1 is a perspective top view of the food heating pellet carrier showing the top, inside and outside thereof.

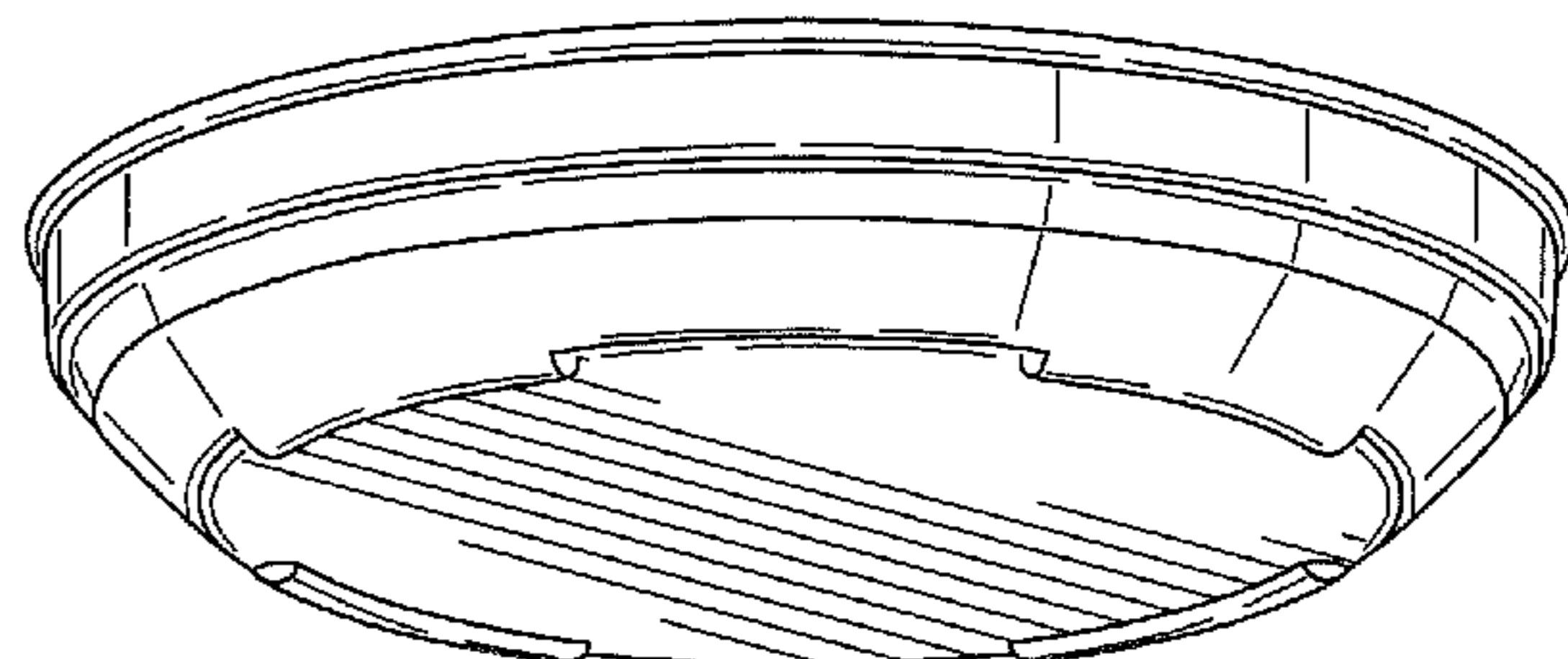
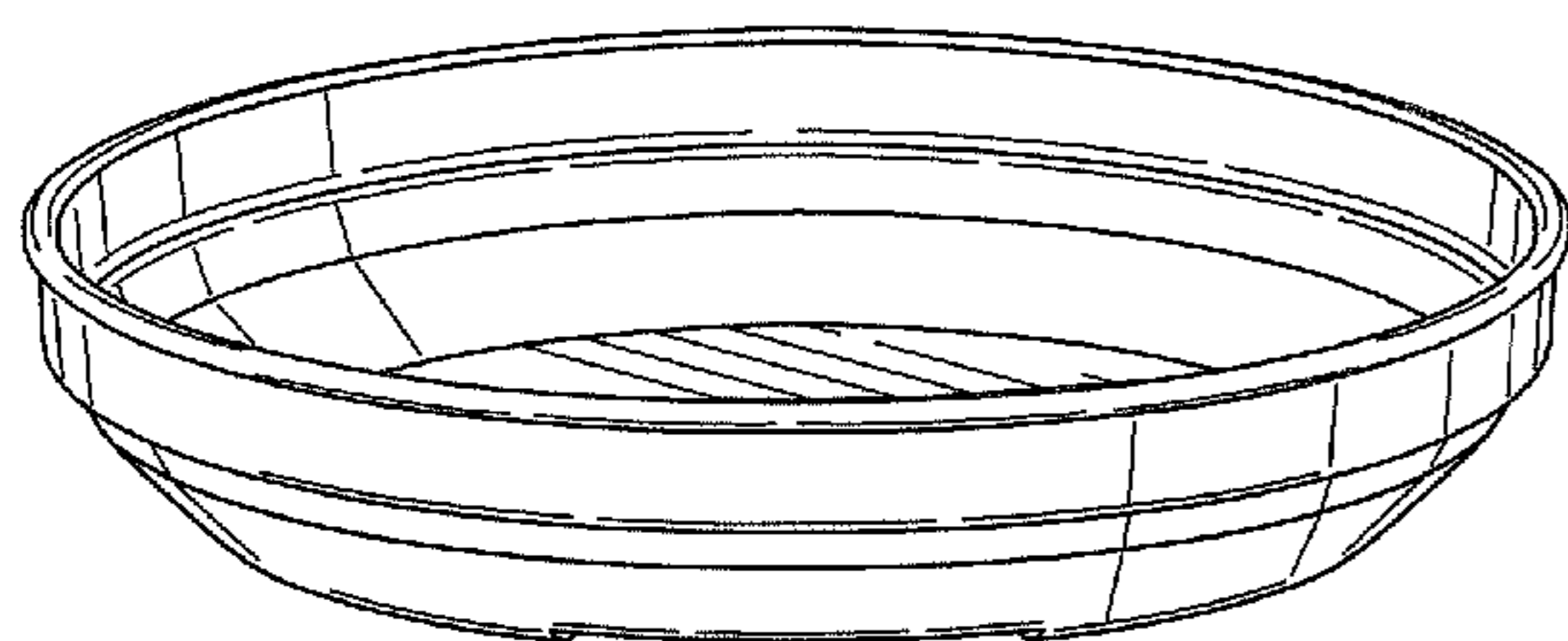
FIG. 2 is a perspective view showing the bottom and side thereof.

FIG. 3 is a side elevation view wherein all side elevation views are the same.

FIG. 4 is a top plan view; and,

FIG. 5 is a bottom plan view of the food heating pellet carrier.

1 Claim, 2 Drawing Sheets



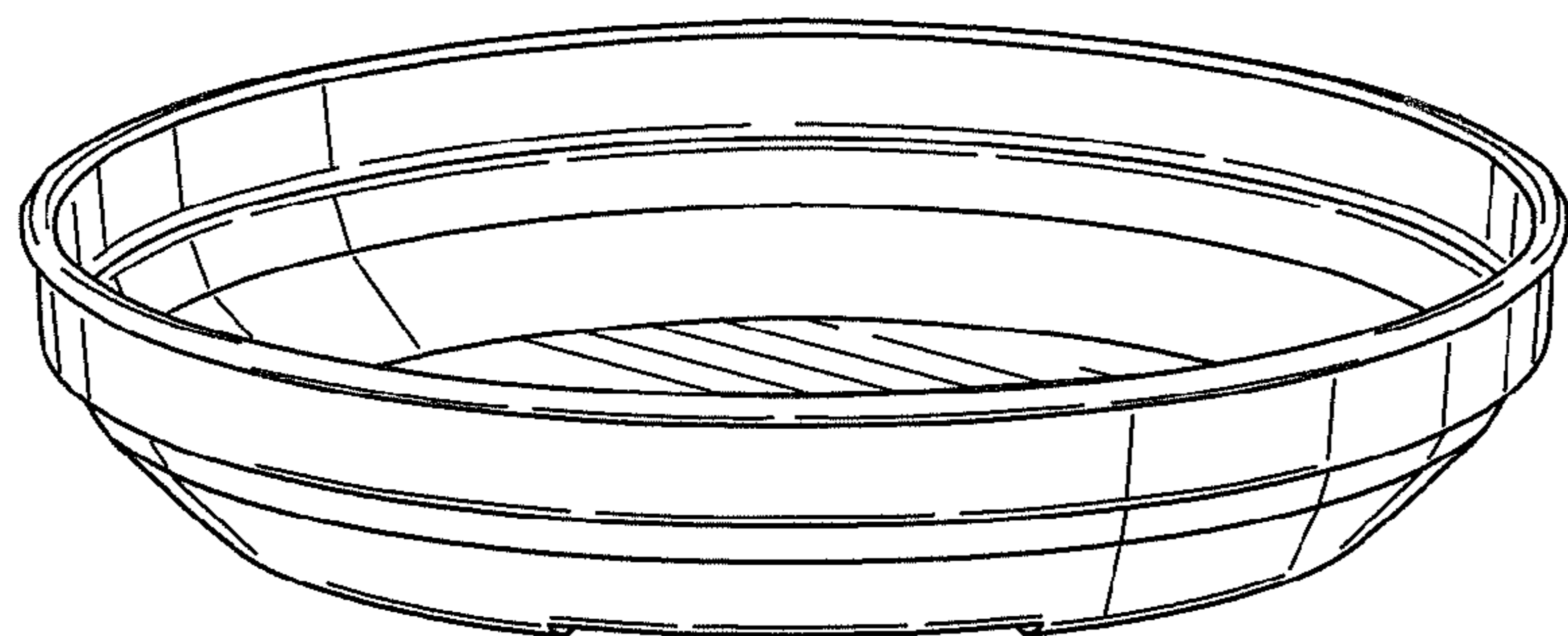


FIG. 1

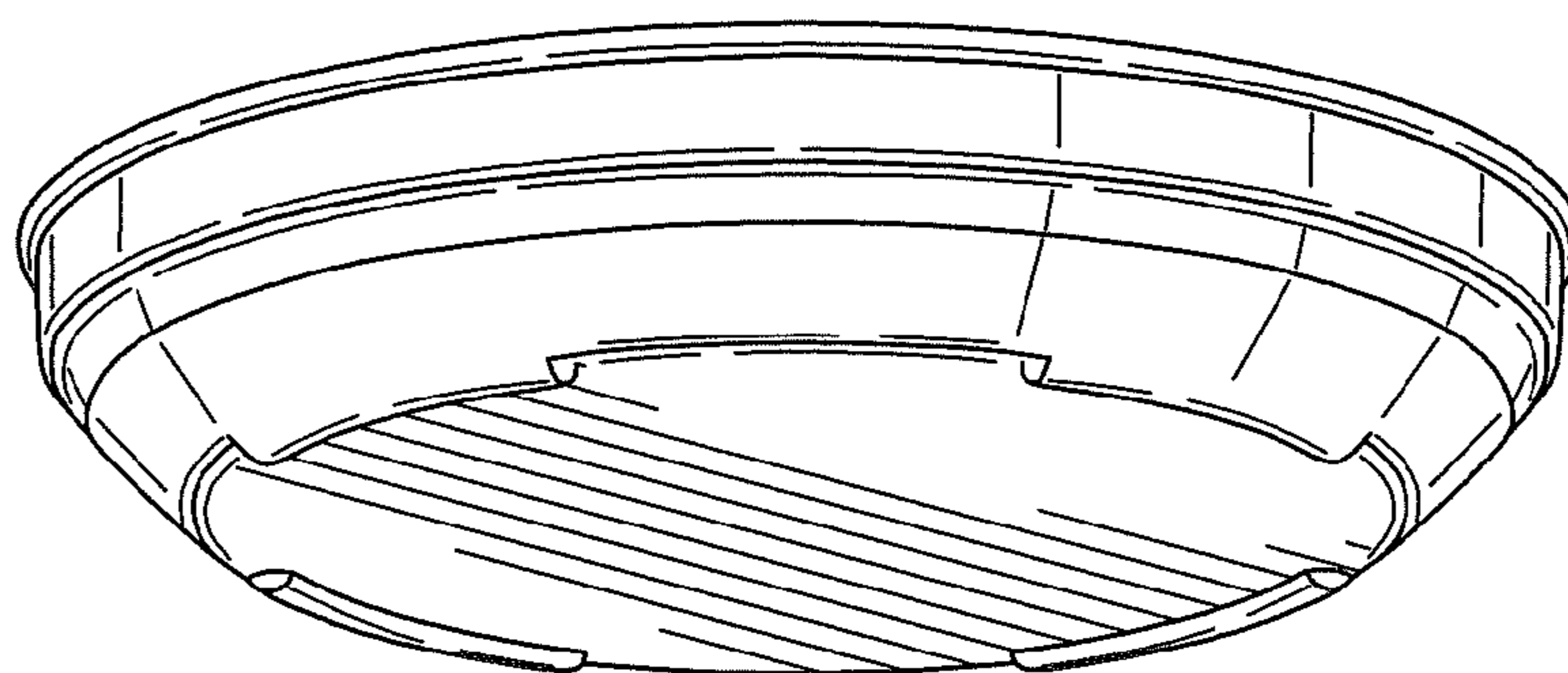


FIG. 2

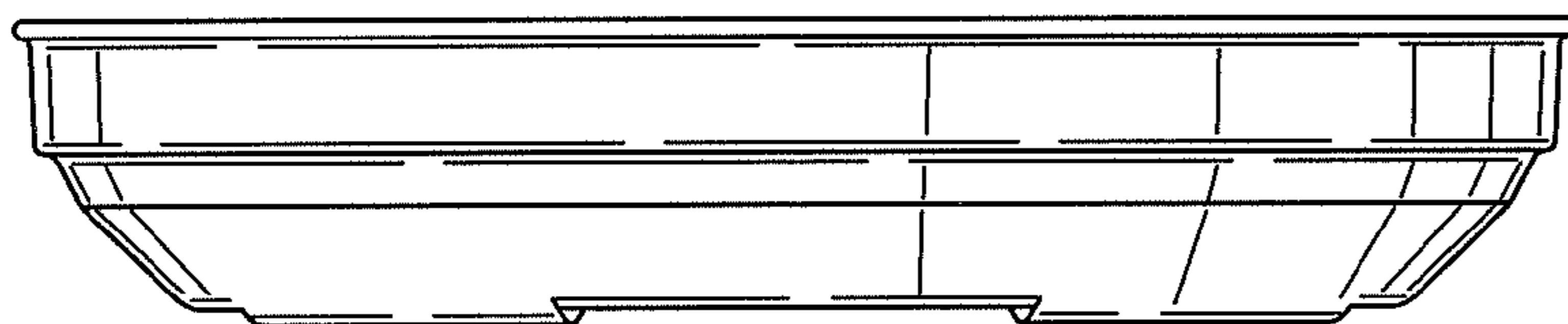


FIG. 3

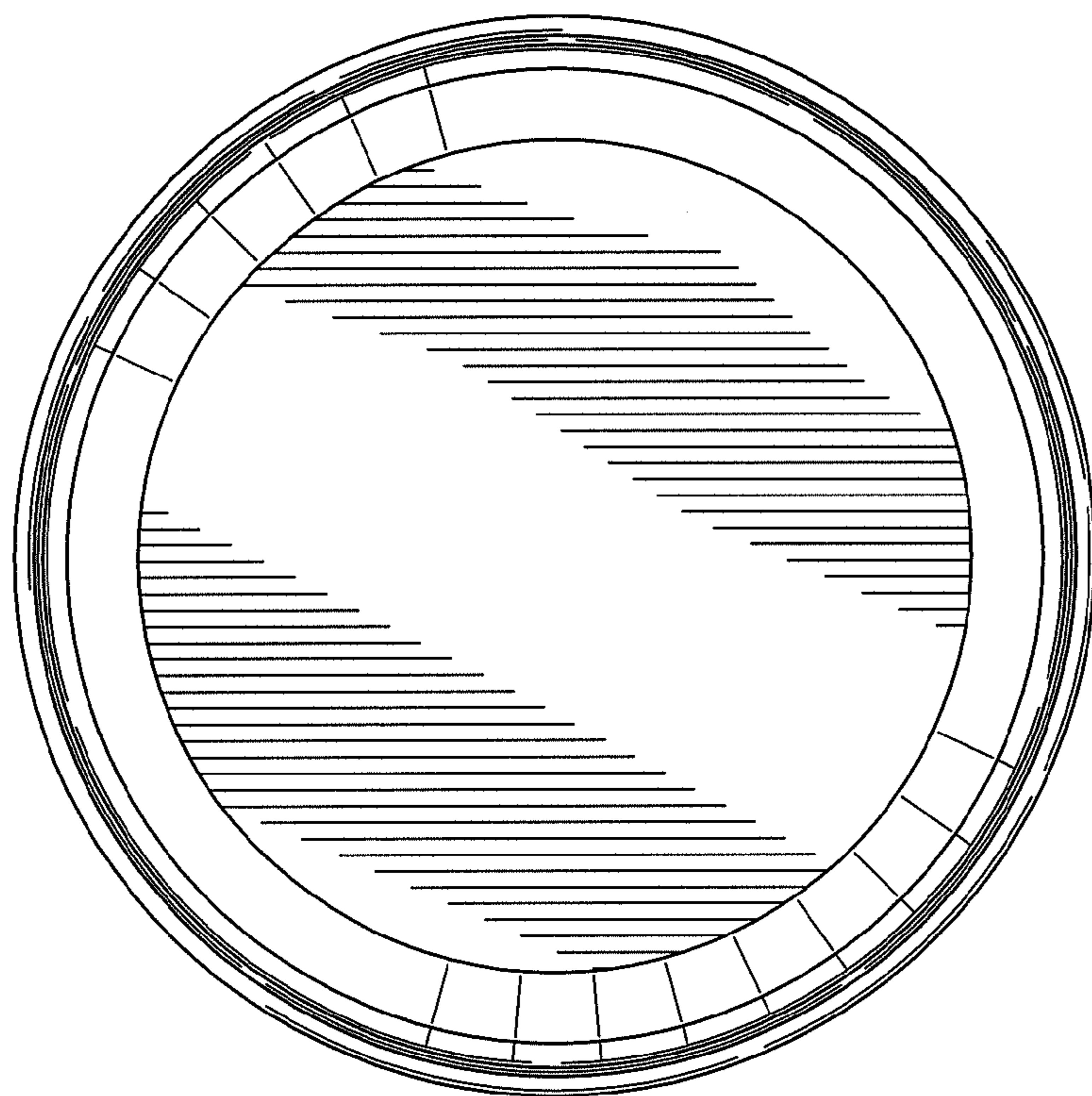


FIG. 4

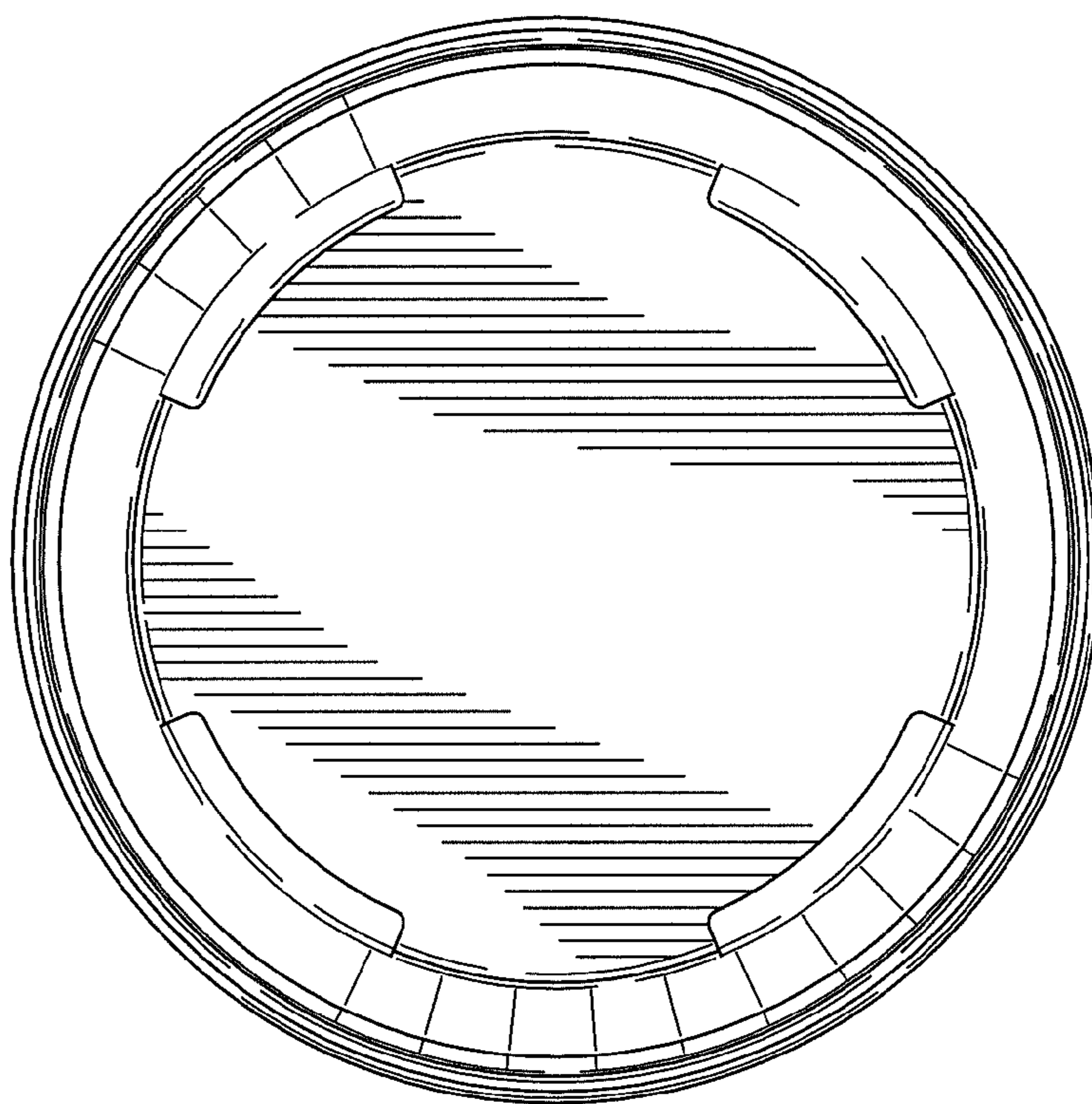


FIG. 5