



US00D630895S

(12) **United States Design Patent**
Sheppard et al.

(10) **Patent No.:** **US D630,895 S**

(45) **Date of Patent:** **** Jan. 18, 2011**

(54) **PITCHER**

(75) Inventors: **Nasahn Adam Sheppard**, Mill Valley, CA (US); **Dominik Heinz Langhammer**, San Francisco, CA (US); **Tim Foster Wallack**, New York, NY (US)

(73) Assignee: **The Procter & Gamble Company**, Cincinnati, OH (US)

(**) Term: **14 Years**

(21) Appl. No.: **29/367,129**

(22) Filed: **Aug. 3, 2010**

Related U.S. Application Data

(62) Division of application No. 29/334,107, filed on Mar. 20, 2009, now Pat. No. Des. 623,465.

(51) **LOC (9) Cl.** **07-01**

(52) **U.S. Cl.** **D7/397; D7/401; D7/317; D7/318**

(58) **Field of Classification Search** **D7/300, D7/316-319, 598, 600, 397, 399, 401; 222/131, 222/472; 215/12.1; 220/592.16**
See application file for complete search history.

(56) **References Cited**

U.S. PATENT DOCUMENTS

- D173,455 S * 11/1954 Reinecke et al. D7/317
- 2,784,684 A * 3/1957 MacLean 249/96
- 2,805,561 A * 9/1957 Emmert et al. 222/131
- D187,612 S * 4/1960 Wistrand D7/317
- D272,704 S * 2/1984 Smith D10/46.2
- 5,009,364 A * 4/1991 Bolte 229/123.2
- D317,547 S * 6/1991 Gecchelin D7/317

- D335,608 S * 5/1993 Arnold D7/317
- D386,041 S * 11/1997 Tanner et al. D7/319
- D388,655 S * 1/1998 Flom et al. D7/319
- D406,003 S * 2/1999 Tanner et al. D7/319
- D419,027 S * 1/2000 Haslem et al. D7/319
- 6,103,114 A * 8/2000 Tanner et al. 210/232
- D439,790 S * 4/2001 Matsushita et al. D7/319
- 6,231,266 B1 * 5/2001 Gott 403/338
- D524,087 S * 7/2006 Ali D7/317
- D542,077 S * 5/2007 Claypool et al. D7/318
- D573,845 S * 7/2008 Yang et al. D7/612
- D574,924 S * 8/2008 Horiuchi et al. D23/209
- 7,438,799 B2 * 10/2008 Vandenbelt et al. 210/85
- D602,731 S * 10/2009 Mankowitz D7/319
- D604,088 S * 11/2009 Bursztein D7/319
- D623,465 S * 9/2010 Sheppard et al. D7/318

* cited by examiner

Primary Examiner—Marianne Pandozzi

(74) *Attorney, Agent, or Firm*—Cynthia L. Clay; Kim William Zerby

(57) **CLAIM**

The ornamental design for a pitcher, as shown and described.

DESCRIPTION

FIG. 1 is a perspective view of a pitcher showing our new design;

FIG. 2 is a side view of the design of FIG. 1;

FIG. 3 is a front view of the design of FIG. 1;

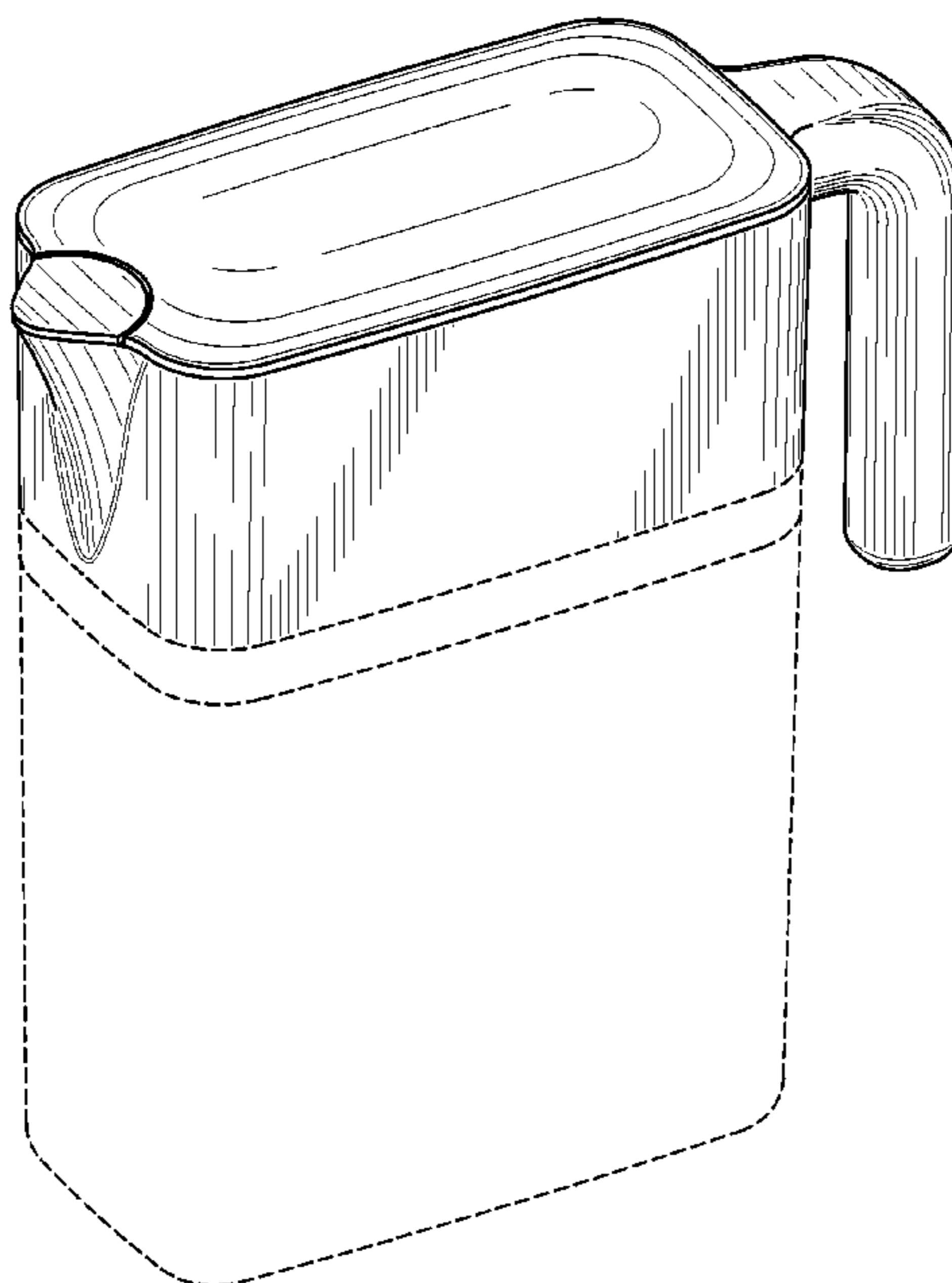
FIG. 4 is a rear view of the design of FIG. 1;

FIG. 5 is a top view of the design of FIG. 1; and,

FIG. 6 is a bottom view of the design of FIG. 1.

The broken lines represent portions of the structure that form no part of the claim.

1 Claim, 5 Drawing Sheets



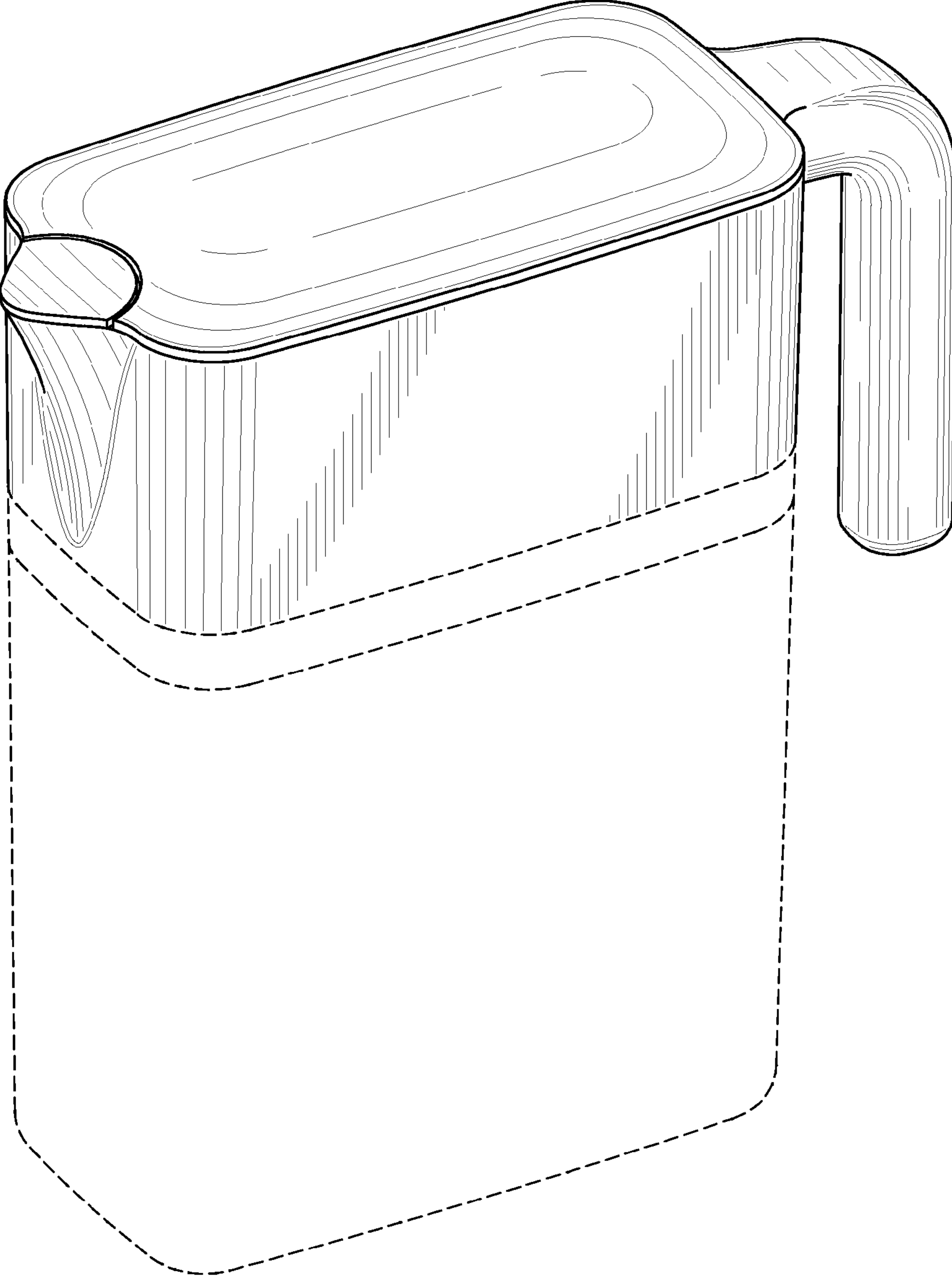


FIG. 1

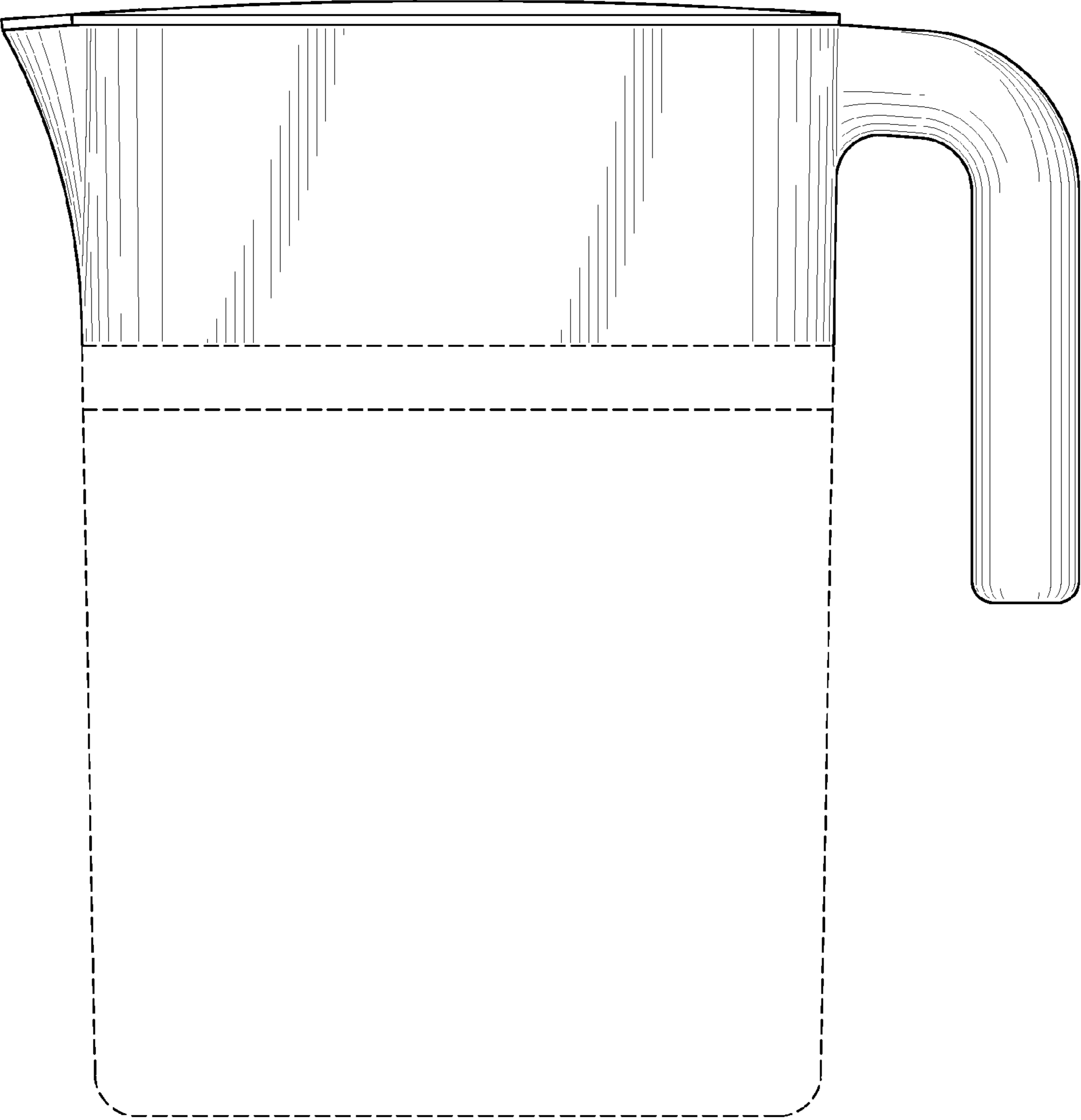


FIG. 2

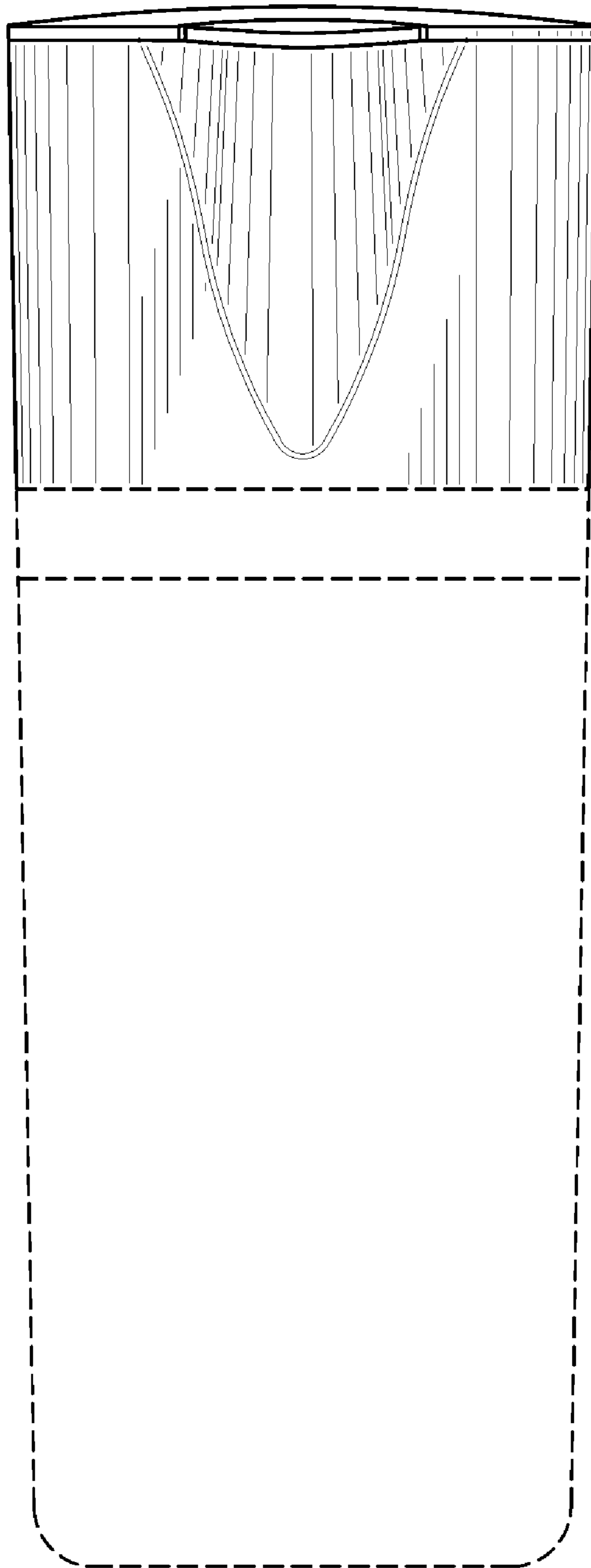


FIG. 3

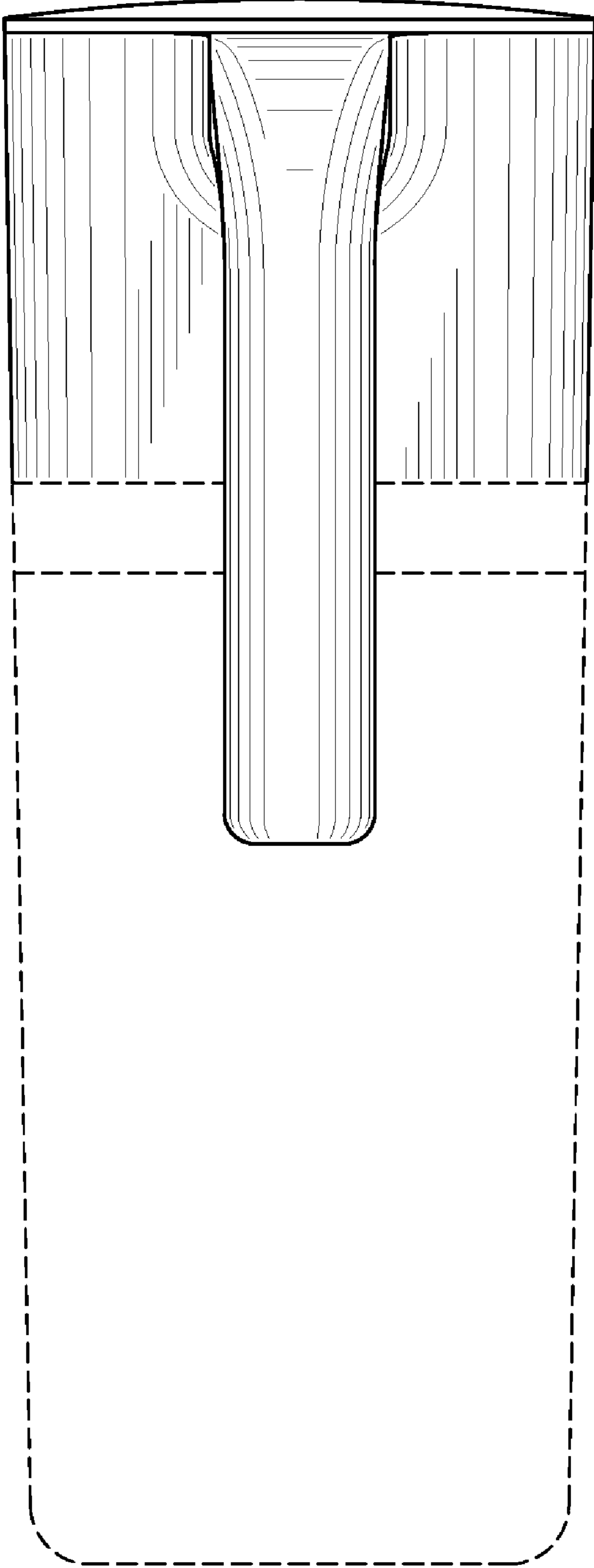


FIG. 4

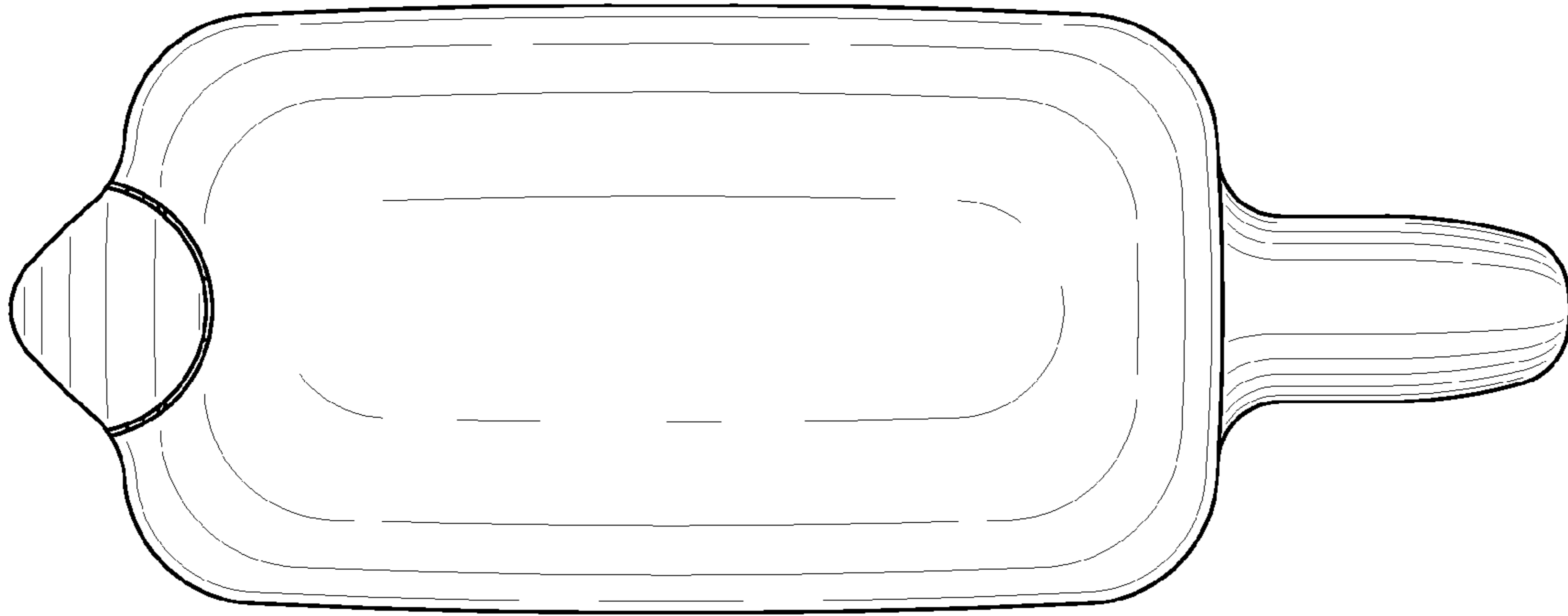


FIG. 5

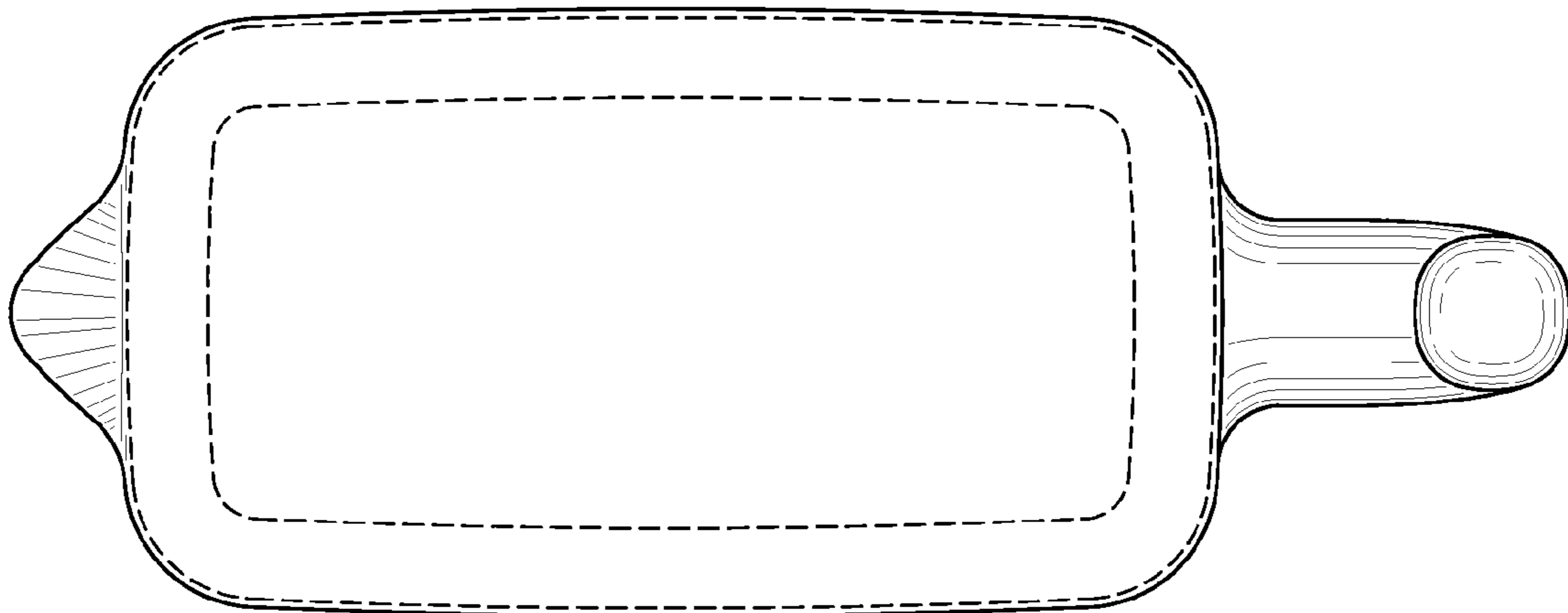


FIG. 6