

US00D630894S

(12) **United States Design Patent**
Harris et al.

(10) **Patent No.:** **US D630,894 S**
(45) **Date of Patent:** **** Jan. 18, 2011**

- (54) **PITCHER**
 - (75) Inventors: **Kyle William Harris**, Maineville, OH (US); **Vincent Breidenbach**, Lebanon, OH (US)
 - (73) Assignee: **The Procter & Gamble Company**, Cincinnati, OH (US)
 - (**) Term: **14 Years**
 - (21) Appl. No.: **29/352,161**
 - (22) Filed: **Dec. 17, 2009**
 - (51) **LOC (9) Cl.** **07-99**
 - (52) **U.S. Cl.** **D7/397; D7/399; D7/316; D7/319**
 - (58) **Field of Classification Search** **D7/300, D7/316-319, 605, 397, 399, 401; 210/143, 210/237, 85; 222/146.6, 465.1; 215/13.1; 219/429**
- See application file for complete search history.

- D386,944 S 12/1997 Demore et al.
- D388,655 S 1/1998 Flom et al.
- D389,004 S 1/1998 Hampshire et al.
- D389,006 S 1/1998 Demore et al.
- D393,175 S 4/1998 Chang
- D398,184 S 9/1998 Silverberg et al.
- D400,755 S 11/1998 Ferlin, Jr.
- D406,003 S 2/1999 Tanner et al.
- 5,882,507 A 3/1999 Tanner et al.
- D415,922 S 11/1999 Kawasaki et al.
- D416,163 S 11/1999 Doritty et al.
- D418,714 S 1/2000 Fox et al.
- D419,027 S 1/2000 Haslem et al.
- D421,361 S 3/2000 Coulson et al.
- 6,103,114 A 8/2000 Tanner et al.
- D430,449 S 9/2000 Yeh
- D439,790 S 4/2001 Matsushita et al.
- D440,110 S 4/2001 Tanner et al.

(Continued)

Primary Examiner—Marianne Pandozzi
(74) *Attorney, Agent, or Firm*—Cynthia L. Clay; Kim William Zerby

(56) **References Cited**
U.S. PATENT DOCUMENTS

- D36,394 S 6/1903 Goetze
- 2,805,561 A 4/1954 Emmert et al.
- D173,455 S 11/1954 Reinecke et al.
- D180,049 S 4/1957 Tupper
- D244,339 S 5/1977 Wendt
- D272,225 S 1/1984 DeCoster
- 4,623,457 A 11/1986 Hankammer
- D312,552 S 12/1990 Carlson
- D317,547 S 6/1991 Gechelin
- D324,320 S 3/1992 Pedersen
- D345,669 S 4/1994 Piret
- D350,255 S 9/1994 Daenen et al.
- D362,583 S 9/1995 Weber et al.
- D365,963 S 1/1996 Feer
- D377,437 S 1/1997 Magnusson
- 5,637,214 A 6/1997 Kahana
- D382,763 S 8/1997 Jeppesen et al.
- D383,351 S 9/1997 DeMore
- D386,041 S 11/1997 Tanner et al.

(57) **CLAIM**

The ornamental design of a pitcher, as shown and described.

DESCRIPTION

FIG. 1 is a perspective view of an embodiment of a pitcher illustrating our new design;

FIG. 2 is a right side elevational view thereof, the left side elevational view is a mirror image of FIG. 2;

FIG. 3 is a front side elevational view thereof;

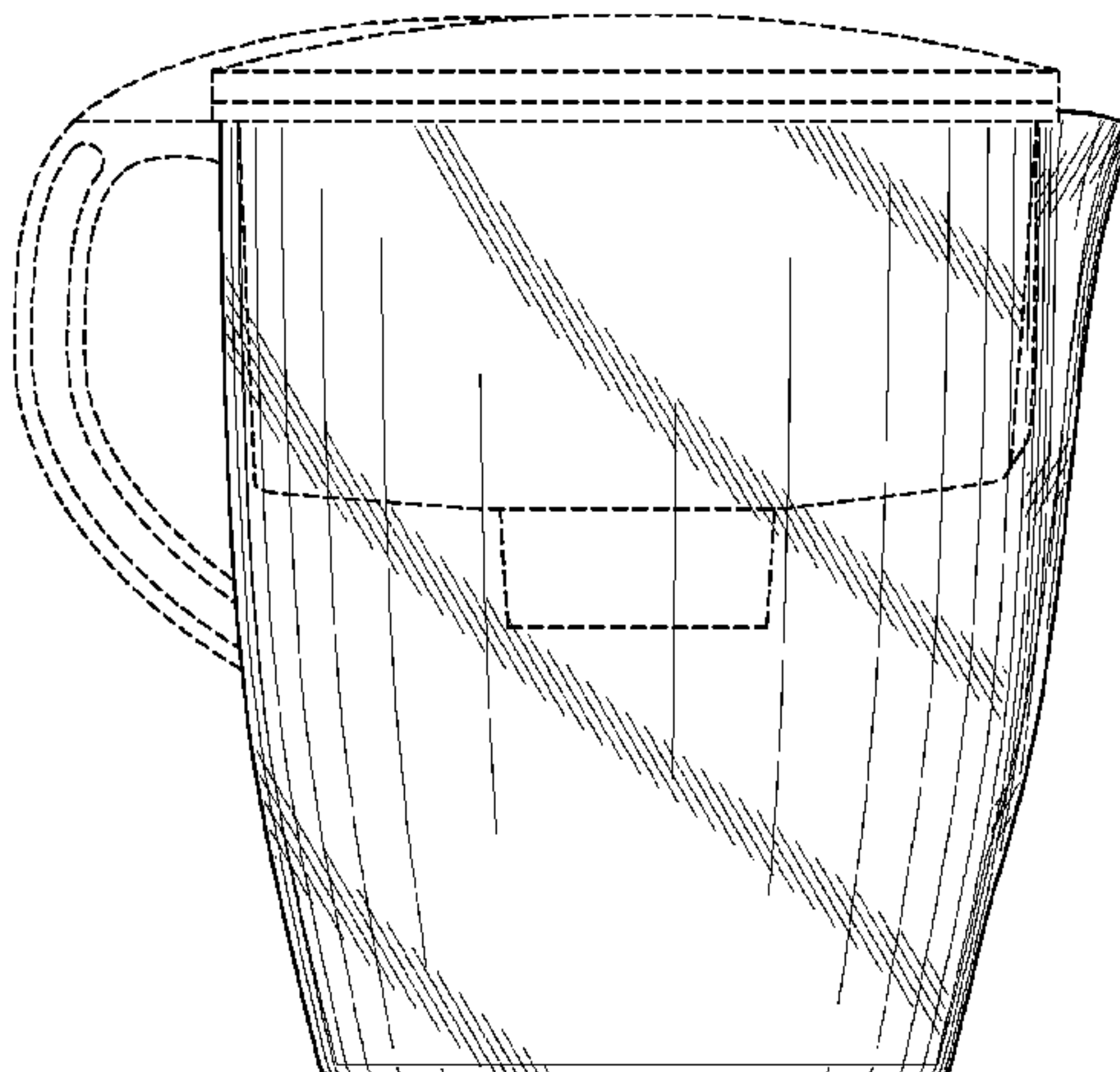
FIG. 4 is a back side elevational view thereof;

FIG. 5 is a top planar view thereof; and,

FIG. 6 is a bottom planar view thereof.

The broken lines in the drawings represent portions of the pitcher that form no part of the claimed design.

1 Claim, 5 Drawing Sheets



US D630,894 S

Page 2

U.S. PATENT DOCUMENTS

D444,843	S *	7/2001	Hilgers et al.	D23/207	D550,020	S	9/2007	Pettaweebuncha	
D444,987	S	7/2001	McGrath et al.		7,294,277	B2 *	11/2007	Moretto	210/746
6,254,768	B1	7/2001	Dulieu et al.		7,297,283	B2	11/2007	Ali	
6,290,848	B1	9/2001	Tanner et al.		D560,092	S	1/2008	Thuliez	
6,387,260	B1	5/2002	Pimenov et al.		D573,394	S	7/2008	Tullney et al.	
6,405,875	B1	6/2002	Cutler		D576,250	S *	9/2008	Born et al.	D23/209
D460,311	S	7/2002	Chang		7,427,355	B2	9/2008	Chau	
6,423,224	B1	7/2002	Tanner et al.		7,438,799	B2 *	10/2008	Vandenbelt et al.	210/85
6,440,302	B1	8/2002	Leipziger		D583,612	S	12/2008	Wu et al.	
D465,377	S	11/2002	Murison et al.		D584,913	S	1/2009	Green et al.	
6,524,477	B1	2/2003	Hughes		D585,231	S	1/2009	Bulala et al.	
6,651,824	B2	11/2003	Miller		D586,606	S *	2/2009	Ma et al.	D7/319
6,852,224	B2	2/2005	Jagtoyen et al.		7,513,278	B2	4/2009	Hengsperger et al.	
6,953,523	B2 *	10/2005	Vandenbelt et al.	210/85	D594,690	S	6/2009	Bursztein	
D517,852	S	3/2006	Jalet		D604,088	S *	11/2009	Bursztein	D7/319
D520,597	S *	5/2006	Witte	D23/209	D616,694	S *	6/2010	Kulikov et al.	D7/319
D524,087	S	7/2006	Ali		2002/0020673	A1	2/2002	Nohren et al.	
D527,940	S *	9/2006	Cohen	D7/318	2006/0249442	A1	11/2006	Yap et al.	
D542,077	S	5/2007	Claypool et al.		2007/0151979	A1	7/2007	Klump et al.	
D546,113	S *	7/2007	Ruoff	D7/319	2008/0164266	A1	7/2008	Sun	

* cited by examiner

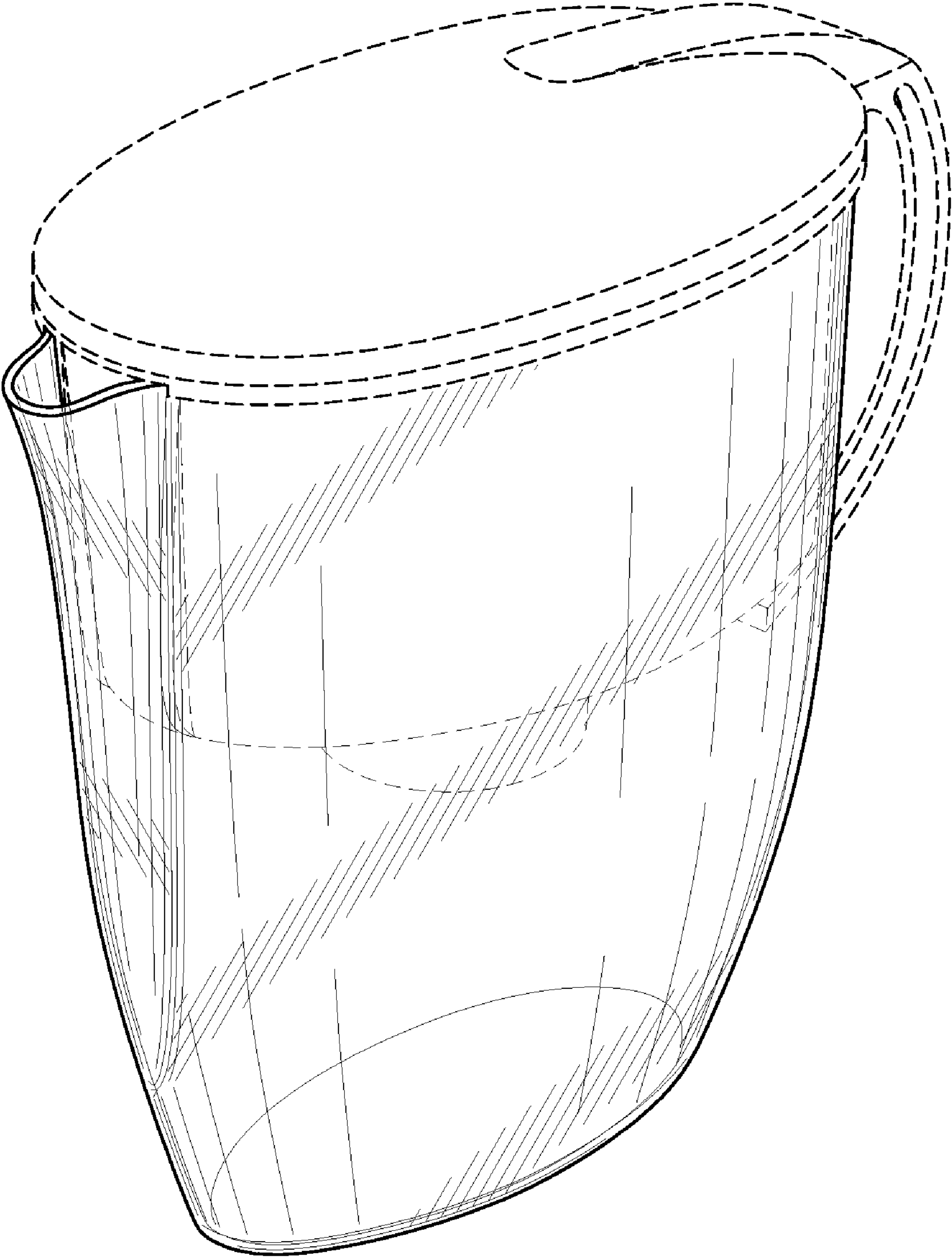


FIG. 1

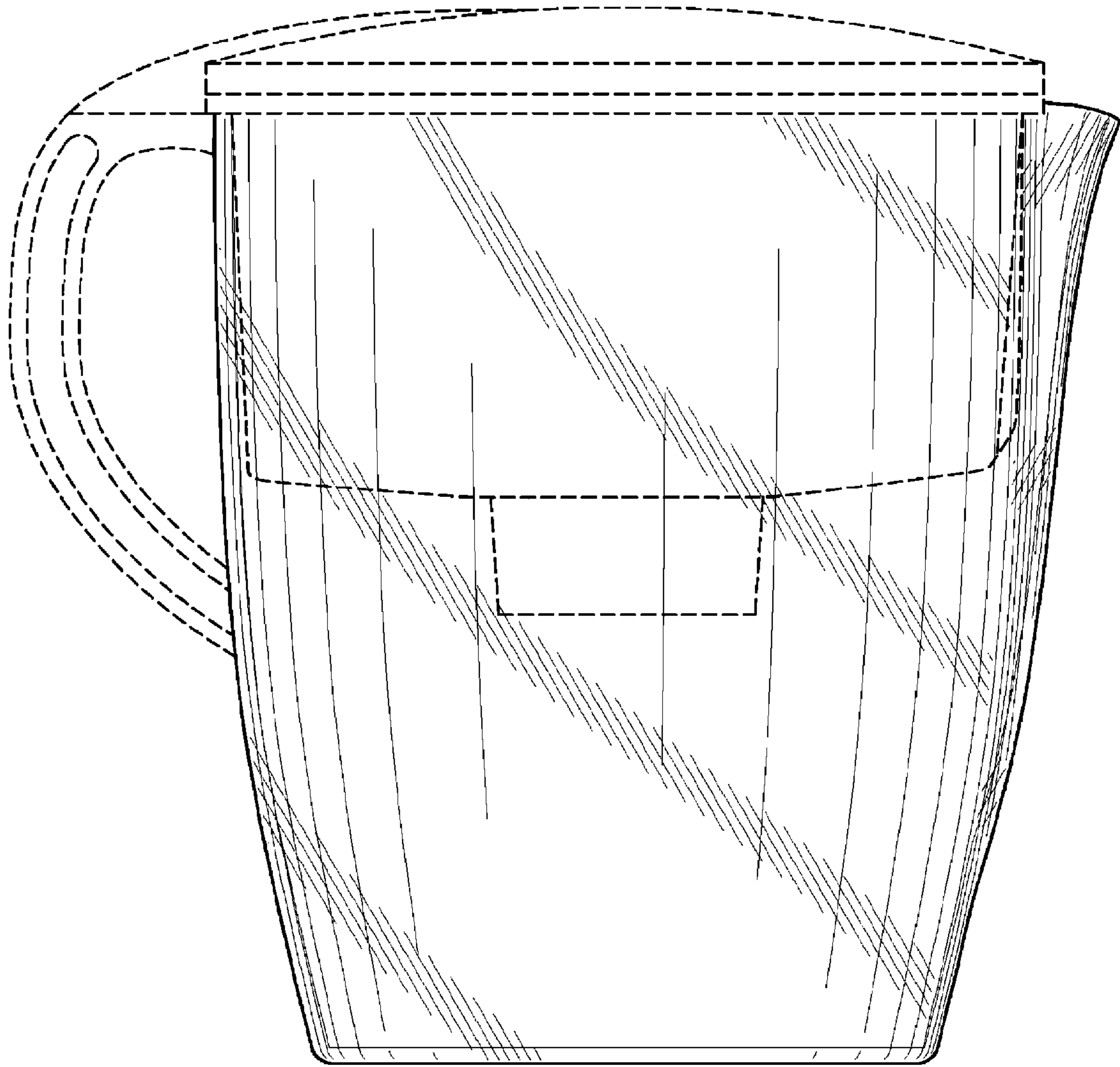


FIG. 2

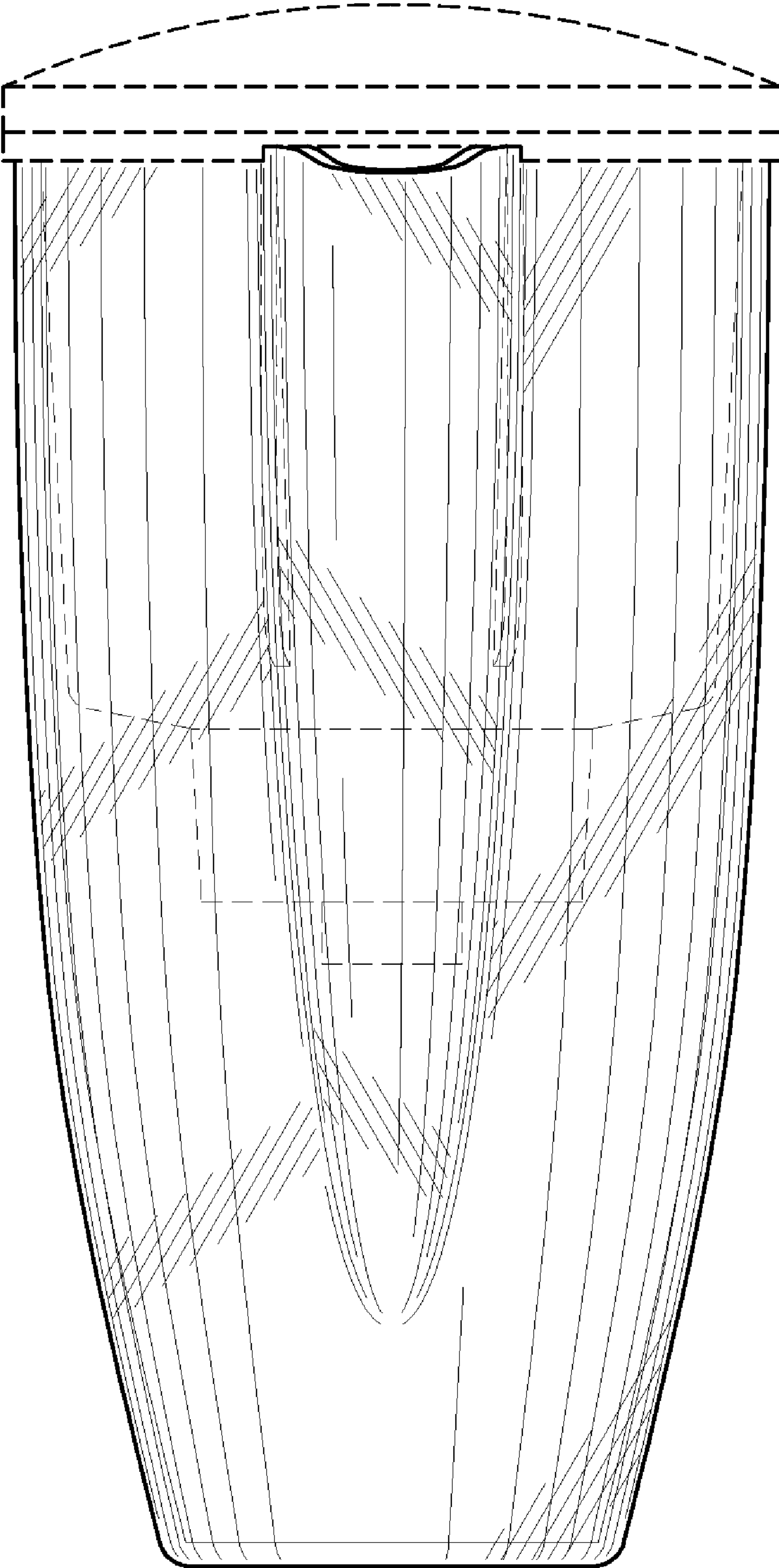


FIG. 3

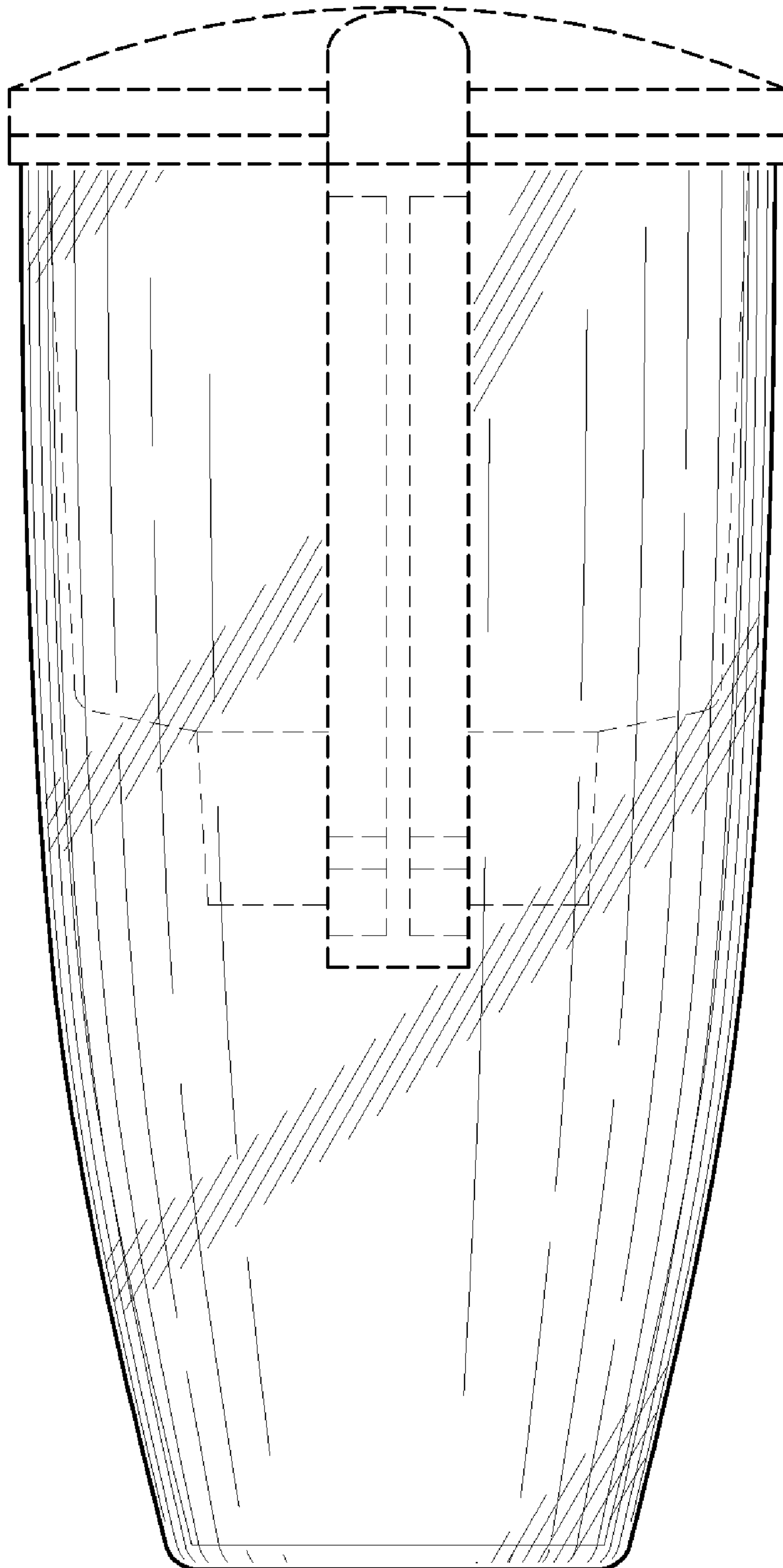


FIG. 4

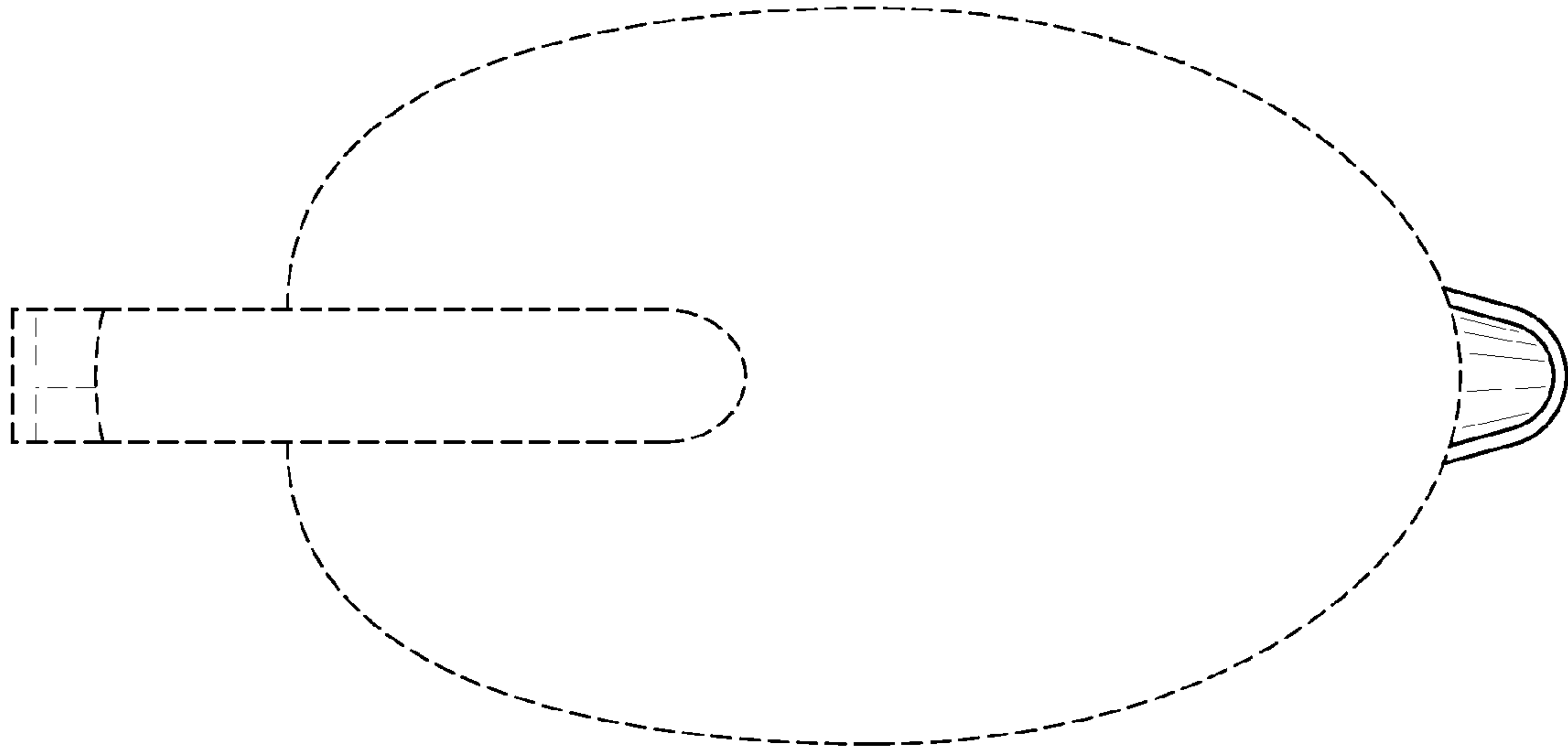


FIG. 5

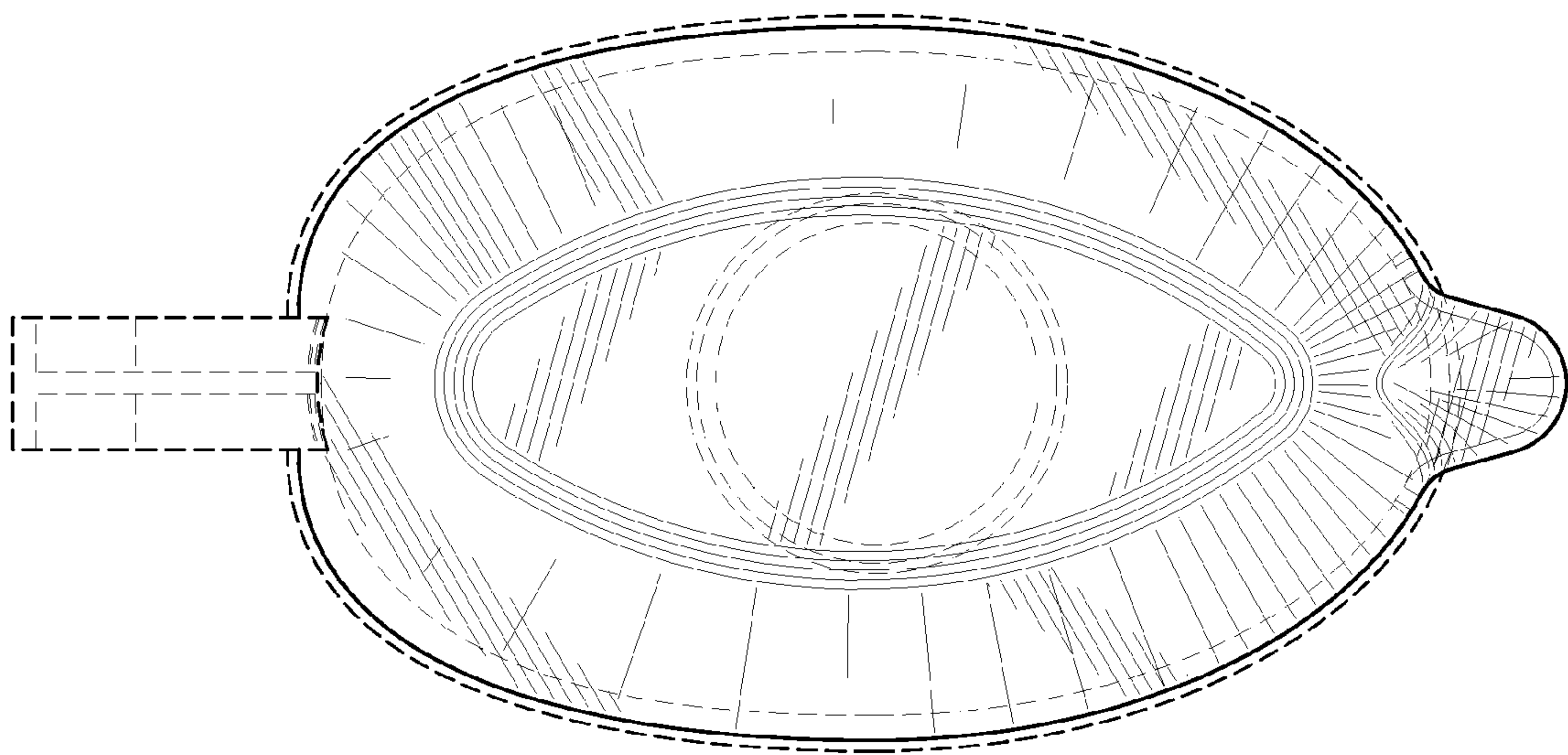


FIG. 6