



US00D630893S

(12) **United States Design Patent**
Thonis

(10) **Patent No.:** **US D630,893 S**
(45) **Date of Patent:** **** Jan. 18, 2011**

(54) **DISHWARE**

(75) Inventor: **Paul Thonis**, New Hope, PA (US)

(73) Assignee: **Lenox Corporation**, Bristol, PA (US)

(**) Term: **14 Years**

(21) Appl. No.: **29/360,692**

(22) Filed: **Apr. 29, 2010**

(51) **LOC (9) Cl.** **07-01**

(52) **U.S. Cl.** **D7/396.1; D7/538**

(58) **Field of Classification Search** D7/396.1,
D7/542, 587, 586, 387, 566, 554.4, 545, 543,
D7/546, 549, 550.1, 553.6, 554.1, 584, 629,
D7/354, 602, 360, 396.2, 538; D32/35, 53;
D9/501, 500; 206/507, 557, 561-565; 220/574,
220/659, 23.83, 671, 573.1, 669, 23.87; 294/172
See application file for complete search history.

D376,727 S	12/1996	Baumgarten	
D384,552 S	10/1997	Baumgarten	
D417,361 S *	12/1999	Mittmann et al. D7/396.1
6,014,986 A	1/2000	Baumgarten	
D484,747 S *	1/2004	McMahon, III D7/566
D486,994 S *	2/2004	Smith et al. D7/396.1
D487,669 S *	3/2004	Smith et al. D7/396.1
D515,873 S *	2/2006	Vendl et al. D7/545
D528,361 S *	9/2006	Wolhender D7/396.1
D528,858 S *	9/2006	Swope D7/396.1
D535,478 S *	1/2007	Uffner et al. D3/302
D582,201 S *	12/2008	Kellermann et al. D7/360
D606,176 S *	12/2009	Urquiola D23/293.1
D609,530 S *	2/2010	Hart et al. D7/545
D609,531 S *	2/2010	Koennecke D7/584
D609,976 S *	2/2010	Koennecke D7/586
D610,410 S *	2/2010	Haas D7/587
D613,557 S *	4/2010	Haas D7/586

* cited by examiner

Primary Examiner—Cynthia Underwood
(74) *Attorney, Agent, or Firm*—Duane Morris LLP

(56) **References Cited**

U.S. PATENT DOCUMENTS

D149,721 S *	5/1948	Zeisel D7/586
D176,823 S *	1/1956	Sacia et al. D7/586
D216,038 S *	11/1969	Douglas D7/502
3,775,779 A *	12/1973	Kohler 4/628
4,019,221 A	4/1977	Baumgarten	
4,557,396 A	12/1985	Baumgarten	
D295,137 S	4/1988	Baumgarten	
4,965,907 A	10/1990	Baumgarten	
5,113,897 A	5/1992	Kummerfeld et al.	
D327,201 S *	6/1992	Gecchelin D7/542
5,175,907 A	1/1993	Baumgarten	
D334,499 S *	4/1993	Meisner et al. D6/515
5,203,465 A	4/1993	Baumgarten	
5,555,604 A	9/1996	Baumgarten	
5,575,516 A	11/1996	Baumgarten	

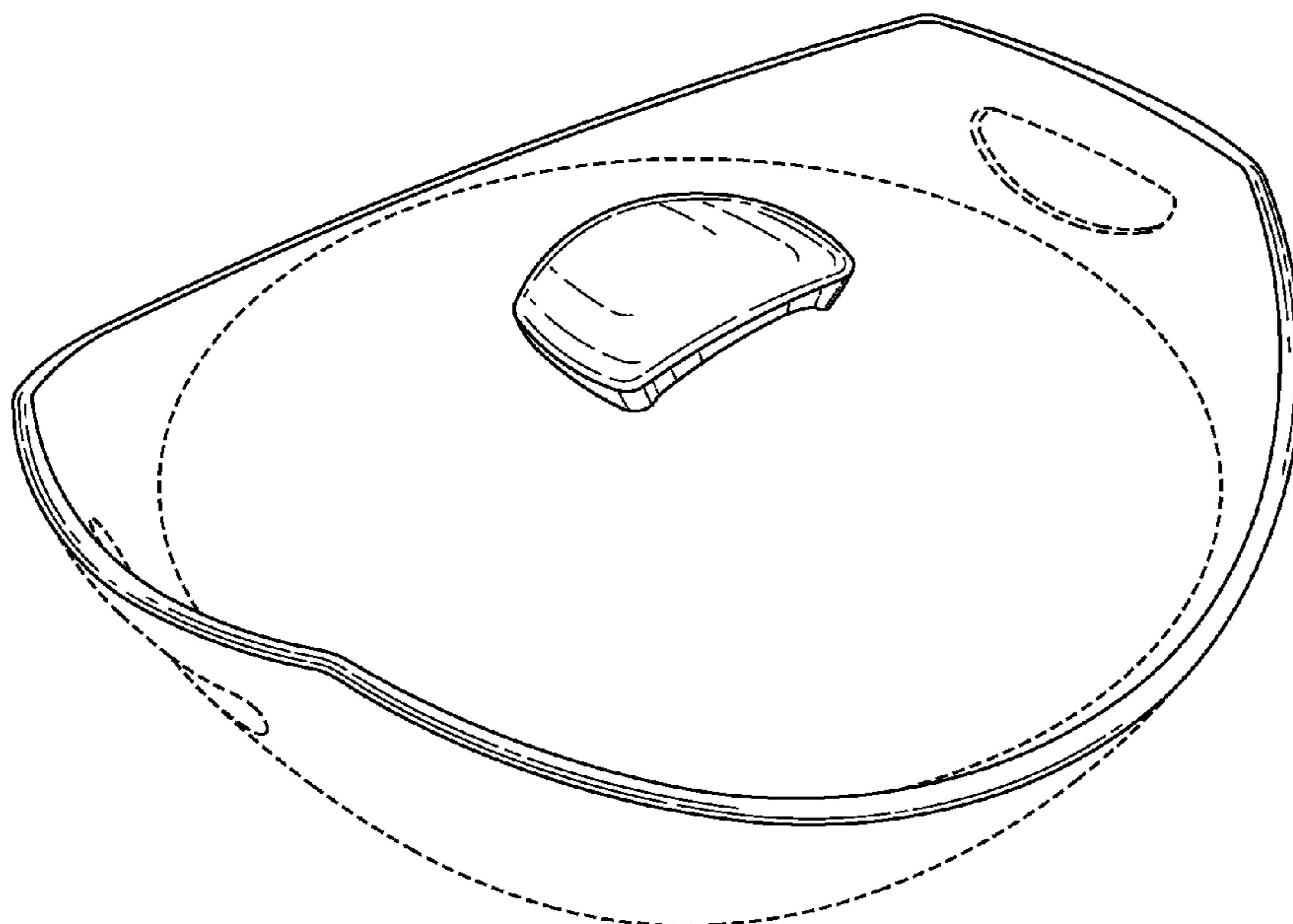
(57) **CLAIM**

The ornamental design for dishware, as shown and described.

DESCRIPTION

FIG. 1 is a perspective view of the dishware;
FIG. 2 is a side view of the bottom of the dishware;
FIG. 3 is an end view of the dishware;
FIG. 4 is a top view of the dishware; and,
FIG. 5 is a bottom view of the dishware.
The broken line showing of structure is for illustrative purposes only, and forms no part of the claimed design.

1 Claim, 5 Drawing Sheets



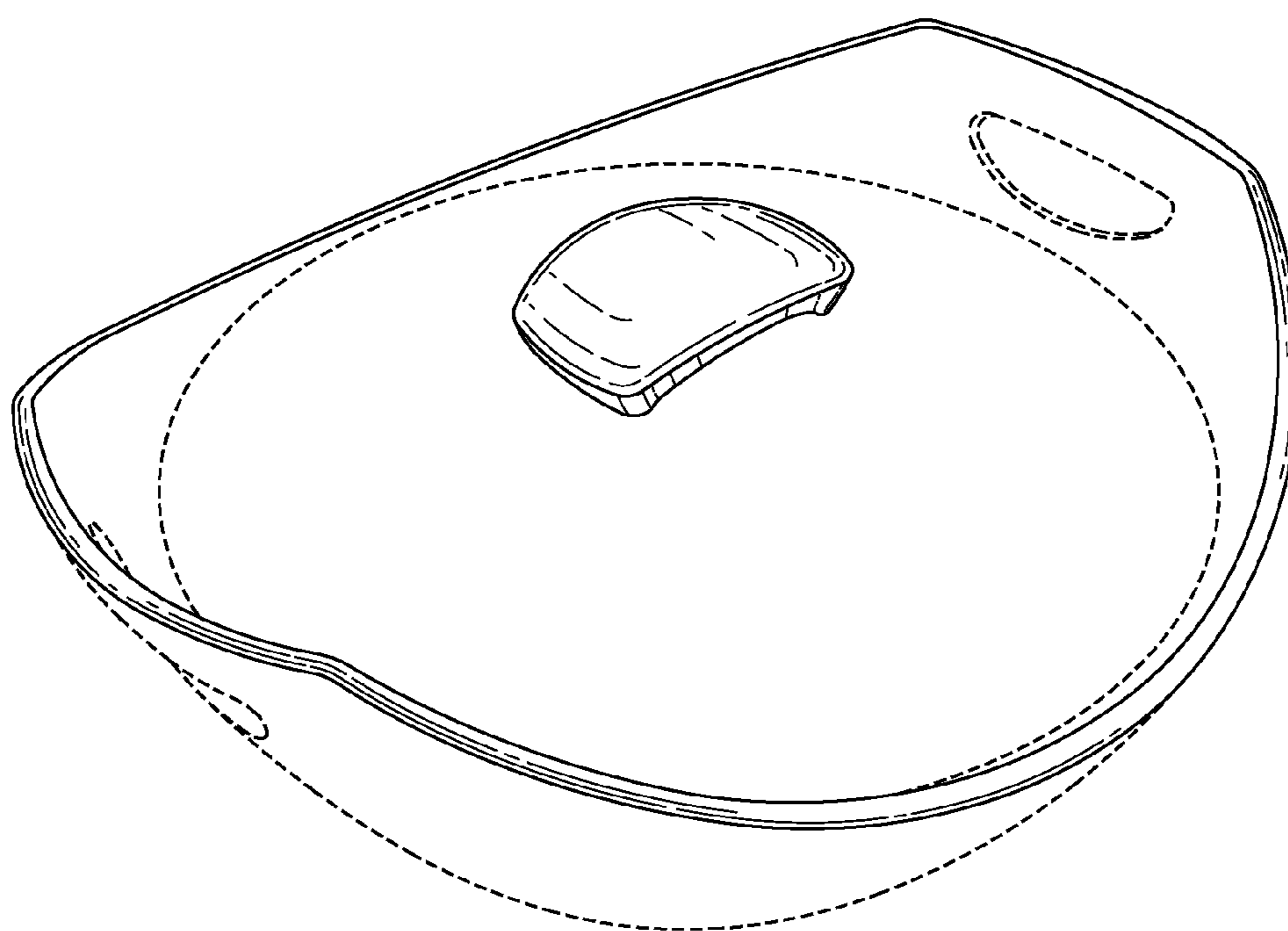


FIG. 1

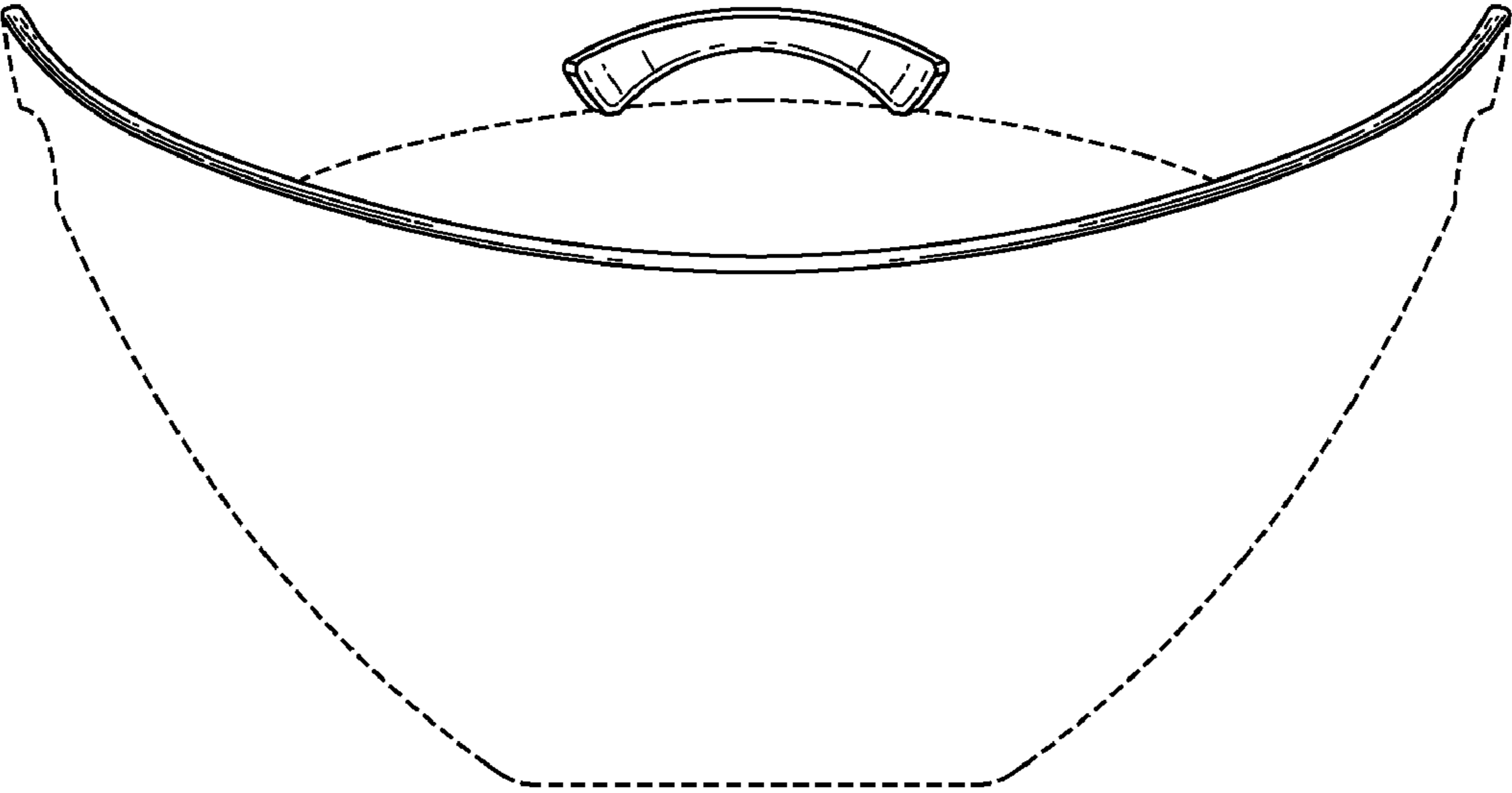


FIG. 2

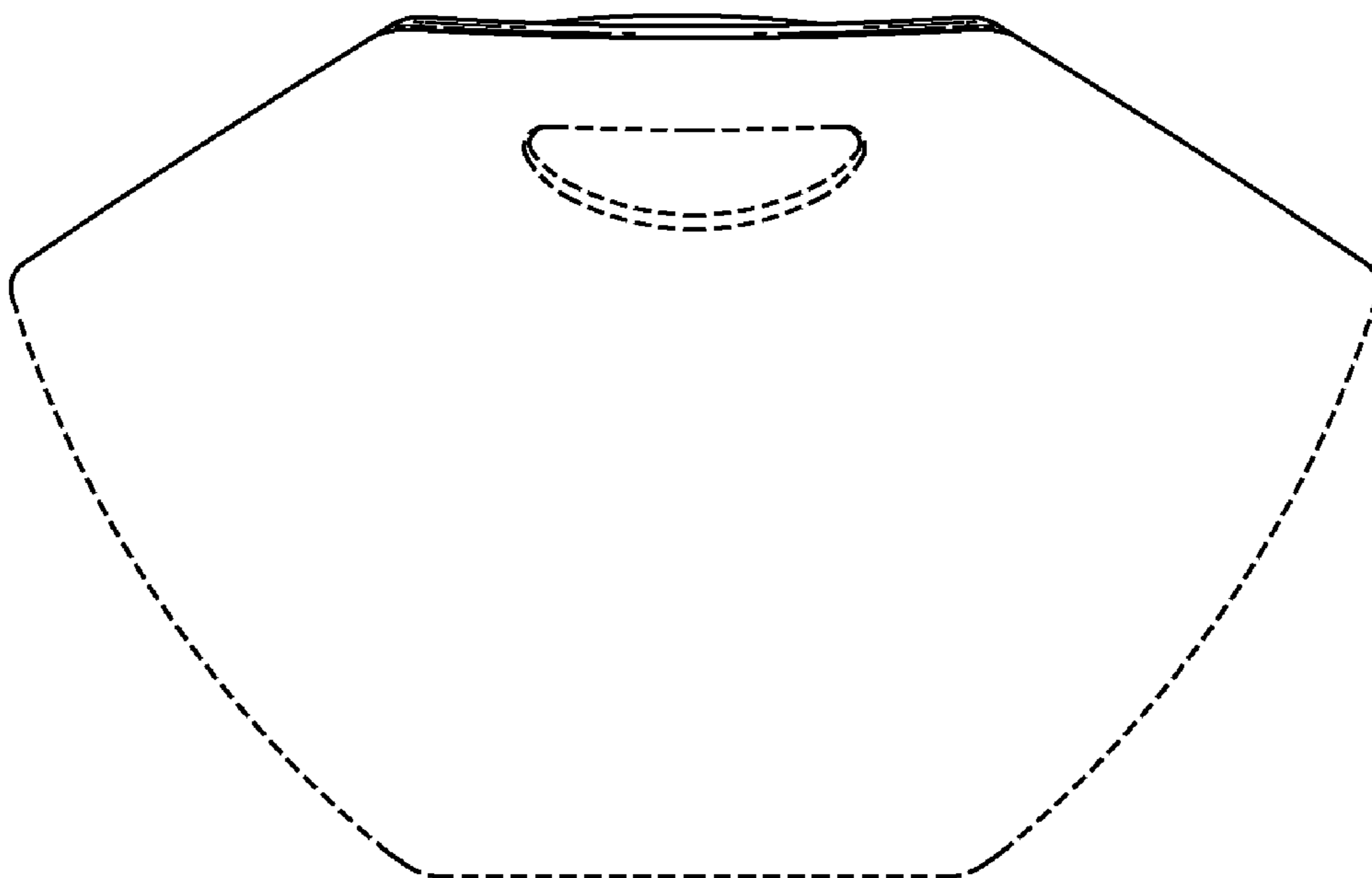


FIG. 3

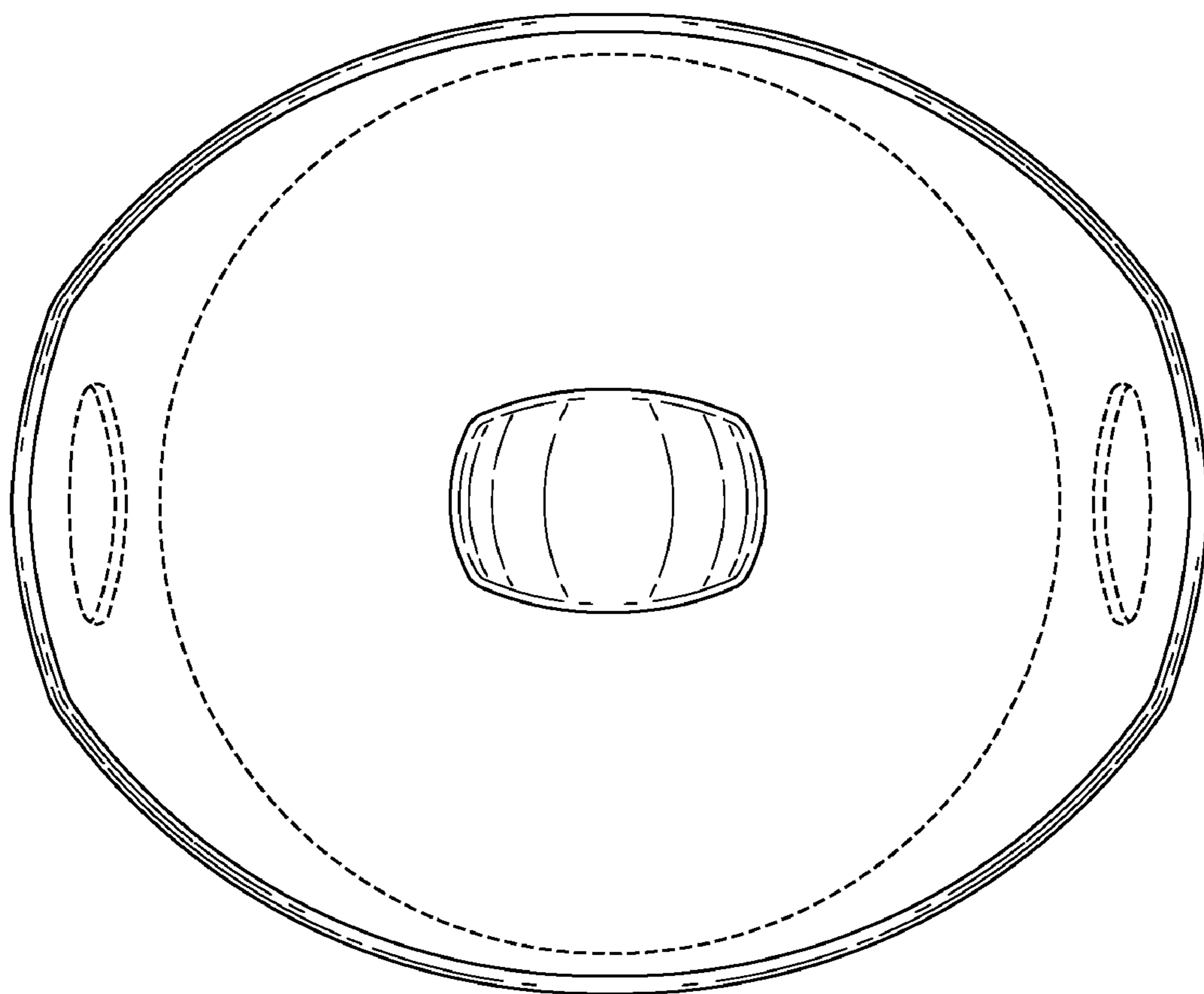


FIG. 4

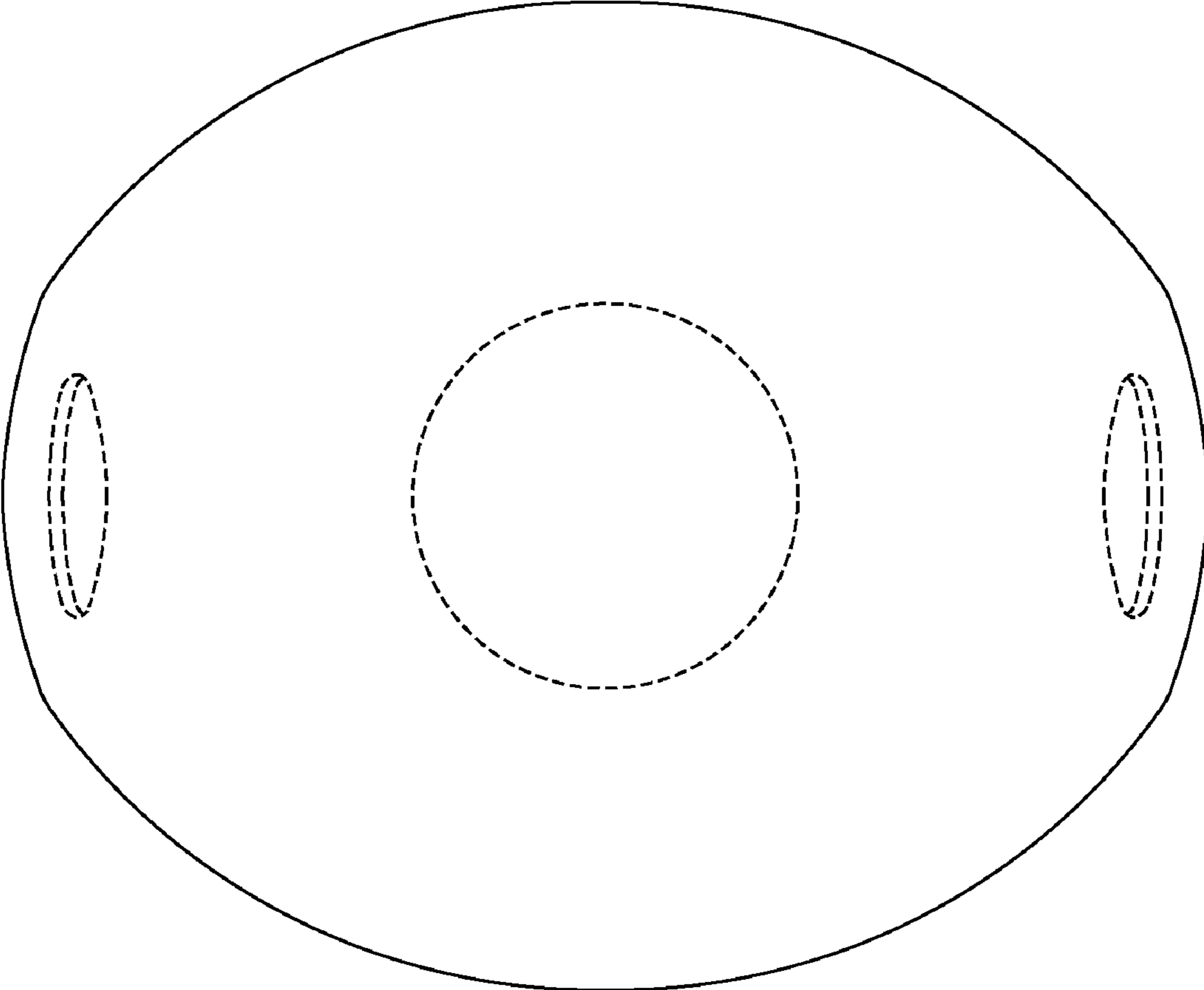


FIG. 5