



US00D630889S

(12) **United States Design Patent**
Rae

(10) **Patent No.:** **US D630,889 S**
(45) **Date of Patent:** **** Jan. 18, 2011**

(54) **COOKWARE HANDLE WITH SPLIT FLANGE**

(75) Inventor: **Robert A Rae**, Las Vegas, NV (US)

(73) Assignee: **Meyer Intellectual Properties Limited**
(VG)

(**) Term: **14 Years**

(21) Appl. No.: **29/349,946**

(22) Filed: **May 20, 2010**

(51) **LOC (9) Cl.** **07-02**

(52) **U.S. Cl.** **D7/395**

(58) **Field of Classification Search** D7/354–361,
D7/393–395, 401.2, 664; D8/80, 83, 107,
D8/300, 303, 307, 313, 321; D4/138, 129;
16/421, 430, 431, 110.1, 407; 220/573.1–573.5,
220/752, 753, 755, 756, 759, 767, 771, 912
See application file for complete search history.

(56) **References Cited**

U.S. PATENT DOCUMENTS

D426,107 S *	6/2000	Cheng	D7/393
D442,025 S *	5/2001	Rae	D7/395
D491,016 S *	6/2004	Rae	D7/395
D497,771 S *	11/2004	Thomkins	D7/395
D555,421 S *	11/2007	Thurlow et al.	D7/393
D561,526 S *	2/2008	Bunting et al.	D7/395

D567,579 S *	4/2008	Rae	D7/393
D578,345 S *	10/2008	Rae	D7/393
D587,519 S *	3/2009	Cheng et al.	D7/360
D589,744 S *	4/2009	Rae	D7/395
D599,165 S *	9/2009	Rae	D7/395

* cited by examiner

Primary Examiner—Cynthia M Chin

(74) *Attorney, Agent, or Firm*—Edward S. Sherman

(57) **CLAIM**

The ornamental design for a cookware handle with split flange, as shown and described.

DESCRIPTION

FIG. 1 is a perspective view from above of the “cookware handle with split flange”, showing my new design;

FIG. 2 is a top plan view thereof;

FIG. 3 is a front elevation view thereof;

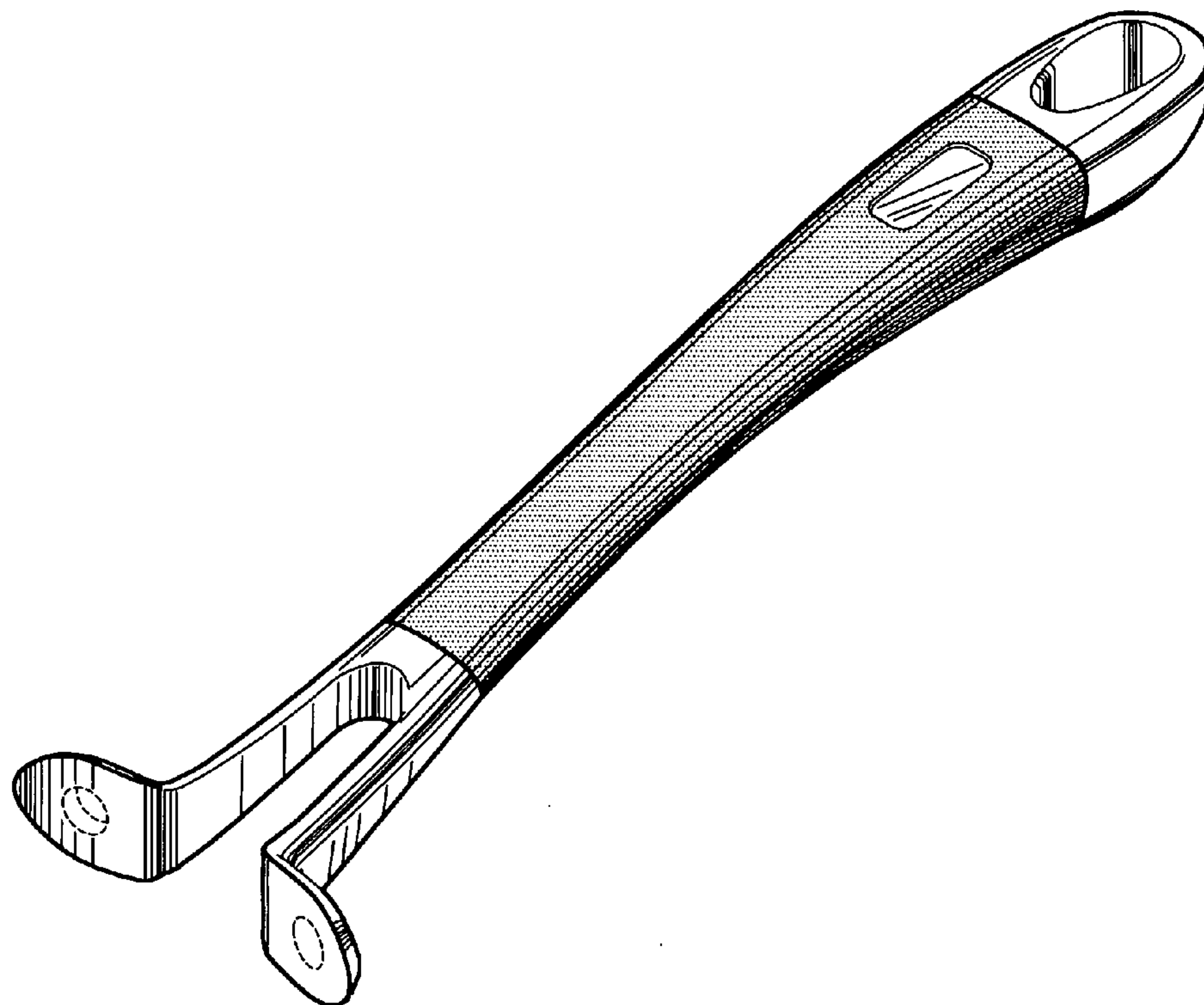
FIG. 4 is a side elevation view thereof;

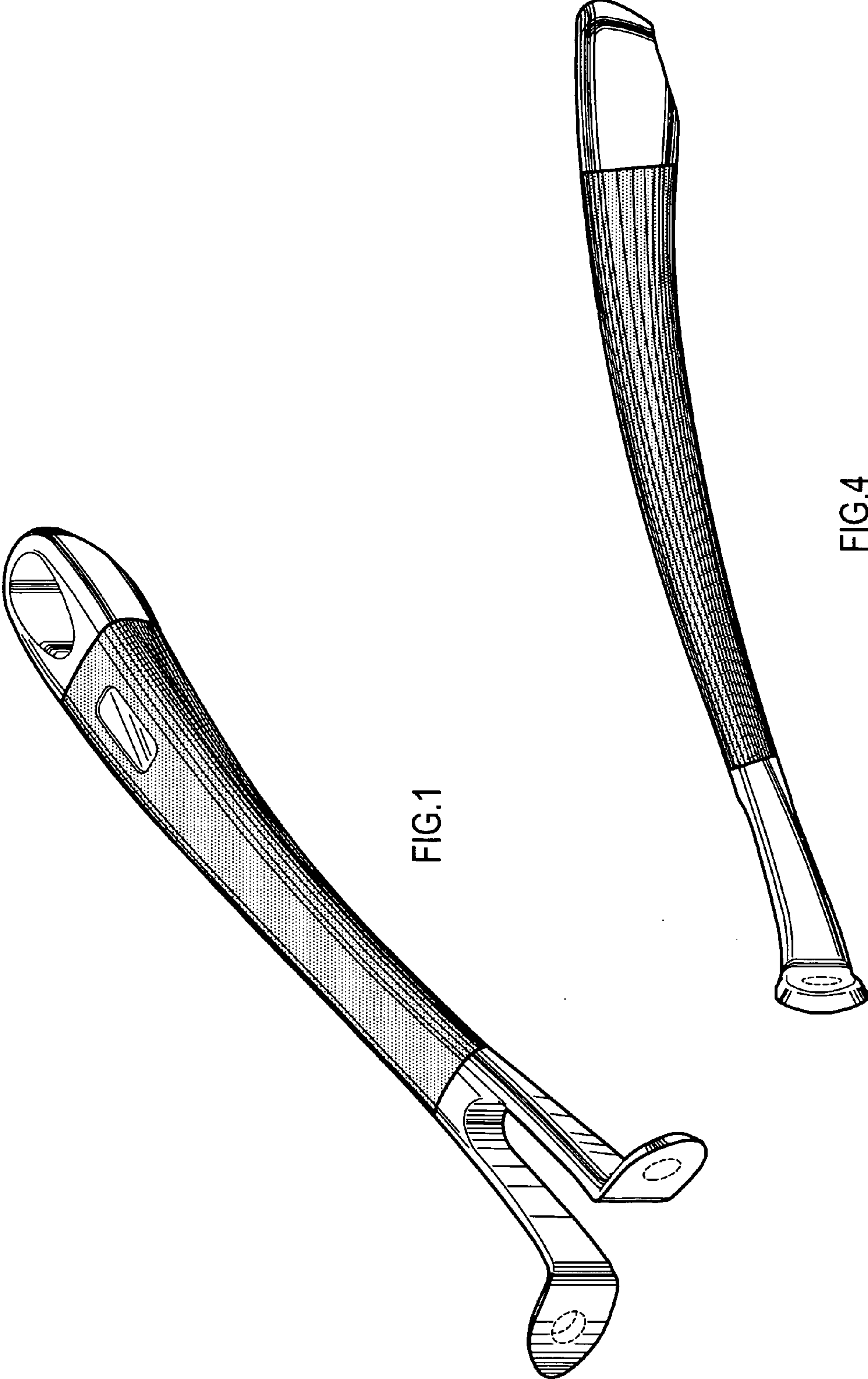
FIG. 5 is a bottom plan view thereof; and,

FIG. 6 is a back elevation view.

The broken lines in FIGS. 1, 3, 4, and 6, are for illustrative purposes only, depicting the environment of the new design, forming no part thereof as claimed.

1 Claim, 3 Drawing Sheets





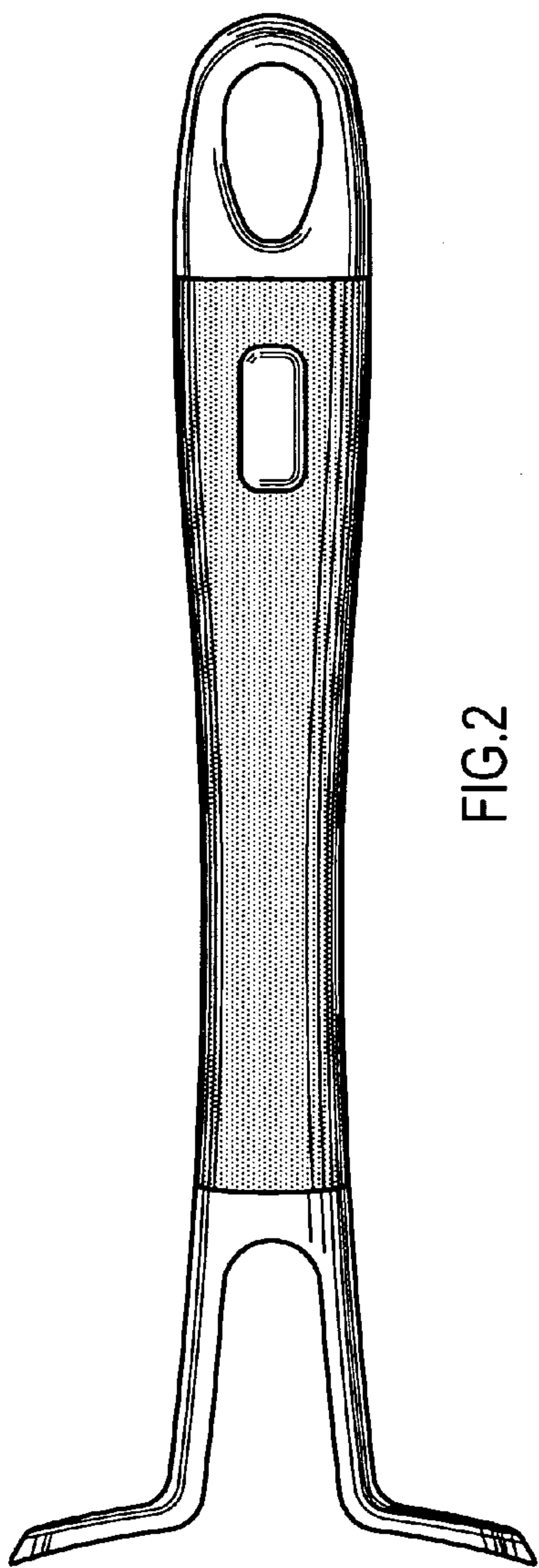


FIG. 2

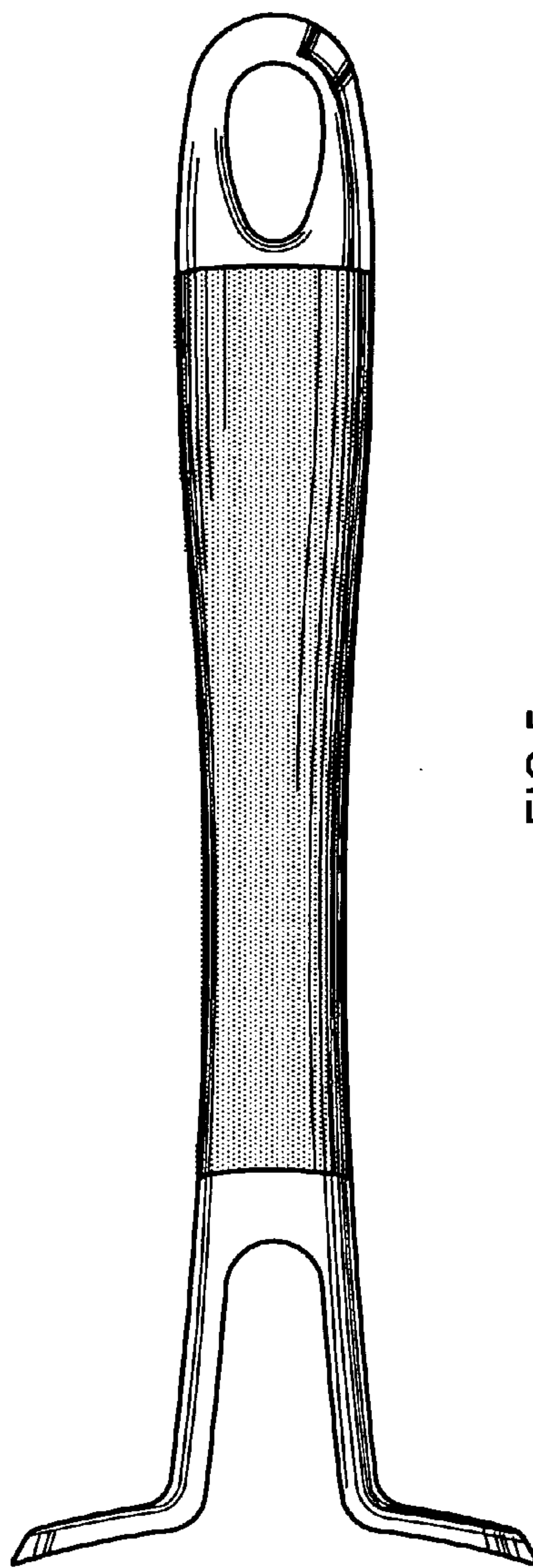


FIG. 5

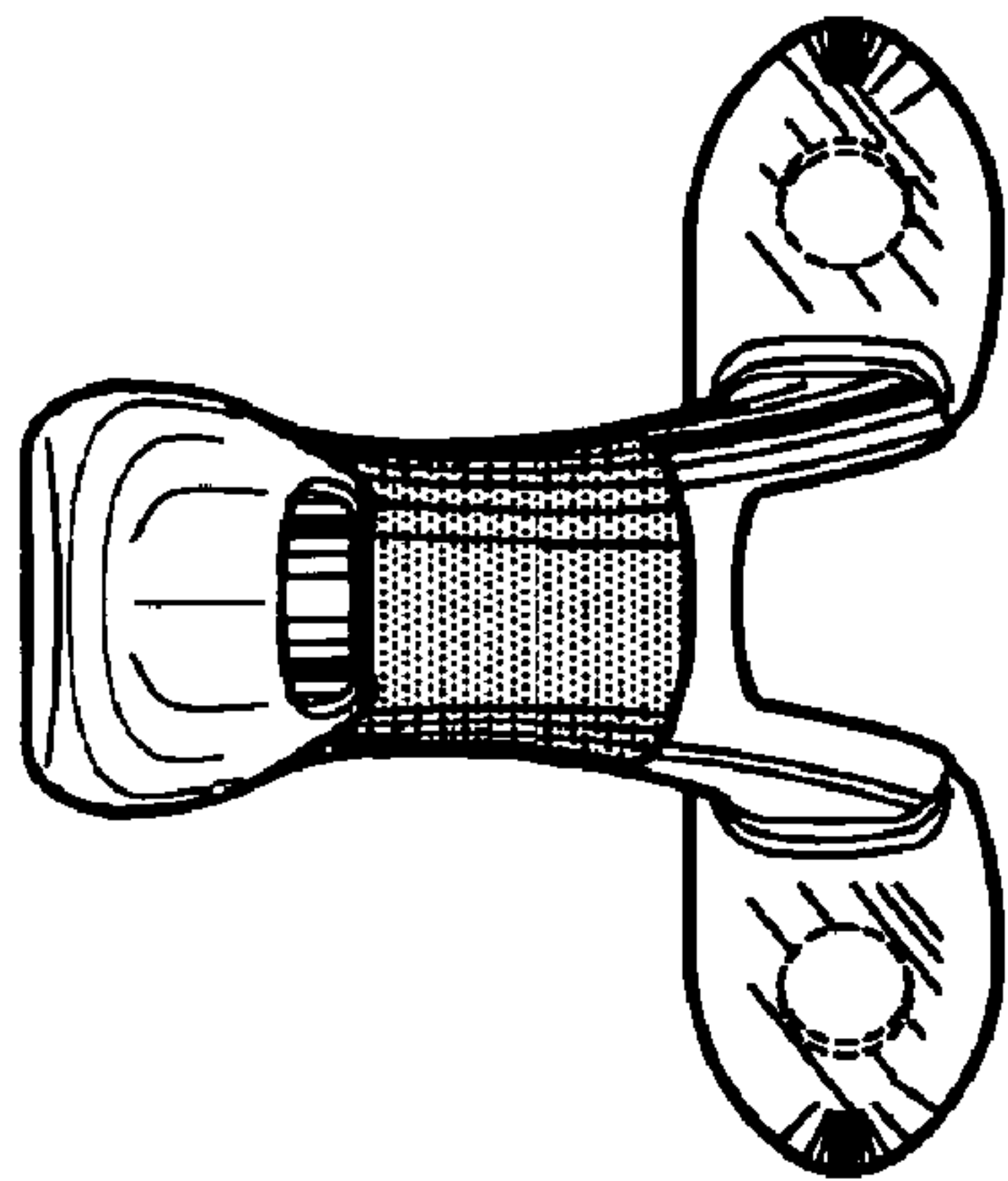


FIG.6

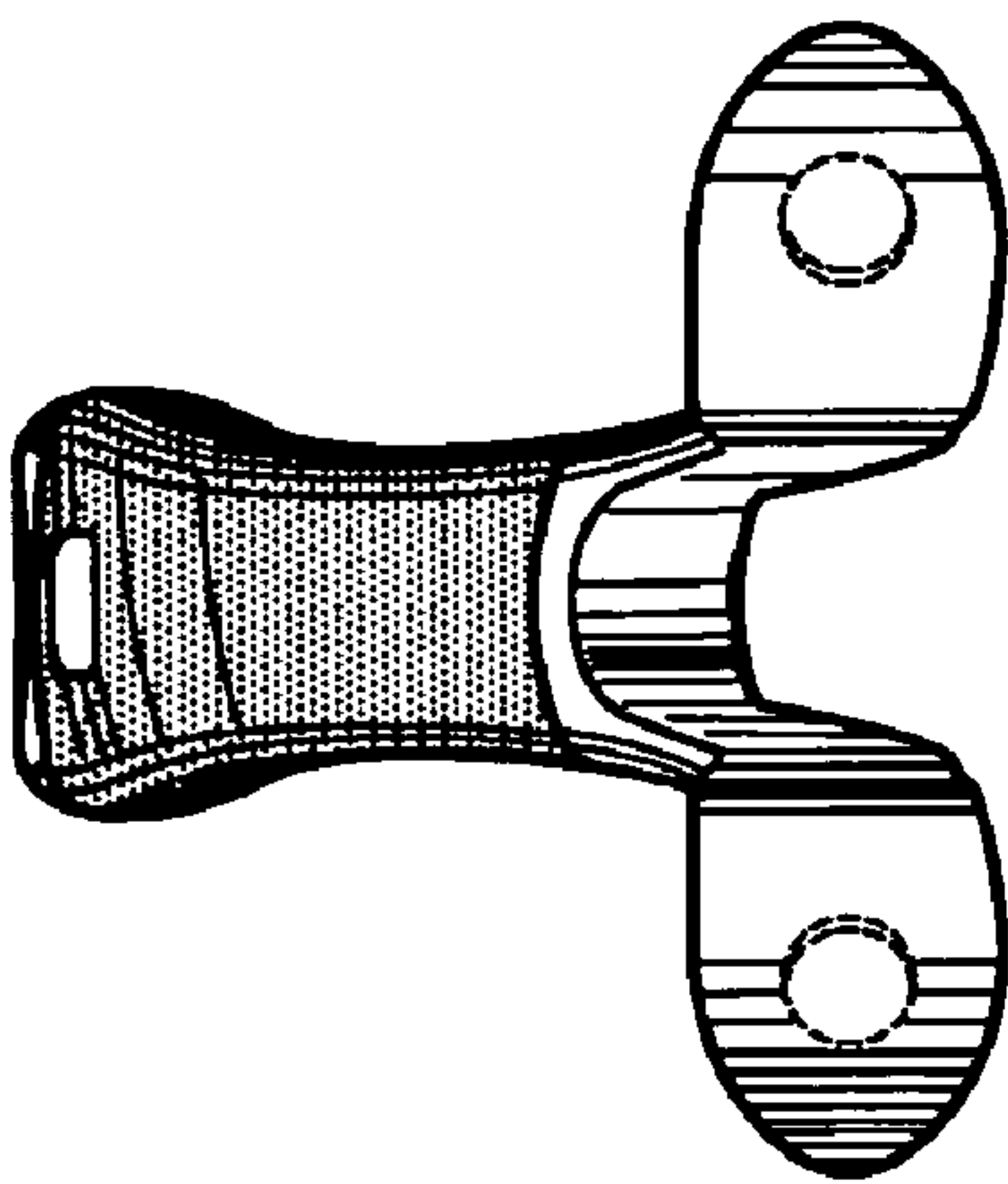


FIG.3