



US00D630888S

(12) **United States Design Patent**
Bodum

(10) **Patent No.:** **US D630,888 S**
(45) **Date of Patent:** **** Jan. 18, 2011**

(54) **KITCHEN GADGET HANDLE**
(75) Inventor: **Jorgen Bodum**, Meggen (CH)
(73) Assignee: **PI-Design AG**, Triengen (CH)
(**) Term: **14 Years**
(21) Appl. No.: **29/346,392**
(22) Filed: **Oct. 30, 2009**

(30) **Foreign Application Priority Data**
May 15, 2009 (WO) DM/071 811
Jun. 25, 2009 (WO) DM/071 905

(51) **LOC (9) Cl.** **07-02**
(52) **U.S. Cl.** **D7/395; D7/401.2**
(58) **Field of Classification Search** D7/354-361,
D7/393, 395, 401.2, 642-648, 664, 682-688,
D7/692, 691, 693, 694; D8/80, 83, 94, 107,
D8/300, 303, 307, 313, 321; D4/138, 129;
16/421, 430, 431, 110.1, 407; 220/573.1-573.5,
220/752, 753, 755, 756, 759, 767, 771, 912;
D24/133, 144; 30/640; D29/119
See application file for complete search history.

(56) **References Cited**
U.S. PATENT DOCUMENTS
293,752 A * 2/1884 Krahenbeihl et al. ... 16/DIG. 12
D100,267 S * 7/1936 Iannelli D7/395
D109,355 S * 4/1938 Temple D8/107
2,140,157 A 12/1938 Hoffman
D166,574 S * 4/1952 Potchen D7/393
4,197,611 A 4/1980 Bell et al.

D258,861 S * 4/1981 Bratton et al. D7/395
4,941,232 A * 7/1990 Decker et al. 16/421
D330,321 S * 10/1992 Berti D8/107
D360,346 S * 7/1995 Huttner D8/321
D360,987 S * 8/1995 Sorenson D4/138
D378,186 S * 2/1997 Braun D8/83
5,664,520 A * 9/1997 Latimer, III 16/421
D401,473 S * 11/1998 Swinford et al. D7/395
D414,610 S * 10/1999 Davila D4/138
D524,098 S * 7/2006 Minutillo et al. D7/395
D536,835 S * 2/2007 Kwan D29/119

* cited by examiner

Primary Examiner—Cynthia M Chin
(74) *Attorney, Agent, or Firm*—Sughrue Mion, PLLC

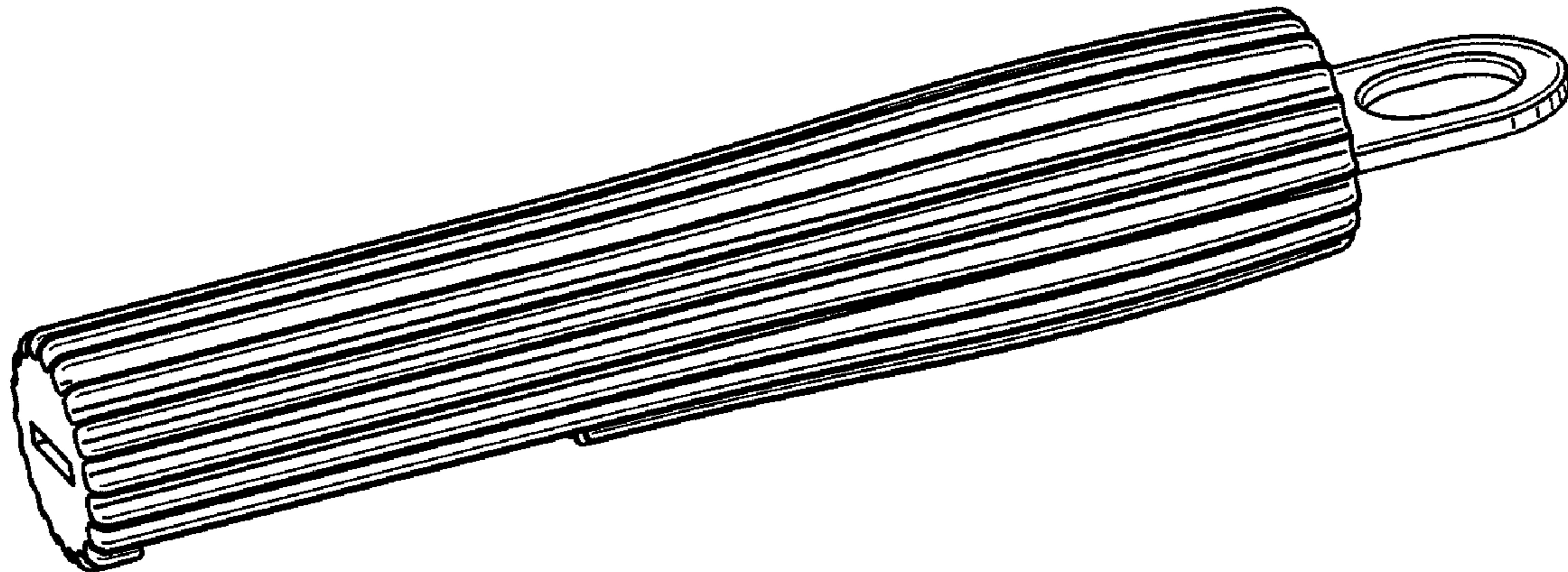
(57) **CLAIM**

The ornamental design for a kitchen gadget handle, as shown and described.

DESCRIPTION

FIG. 1 is a perspective view of a kitchen gadget handle showing my new design;
FIG. 2 is a right side elevation view thereof
FIG. 3 is a left side elevation view thereof;
FIG. 4 is a front elevation view thereof;
FIG. 5 is a rear elevation view thereof;
FIG. 6 is a top view thereof;
FIG. 7 is a bottom view thereof; and,
FIG. 8 is a section view thereof taken along line 8—8 in FIG. 2.

1 Claim, 8 Drawing Sheets



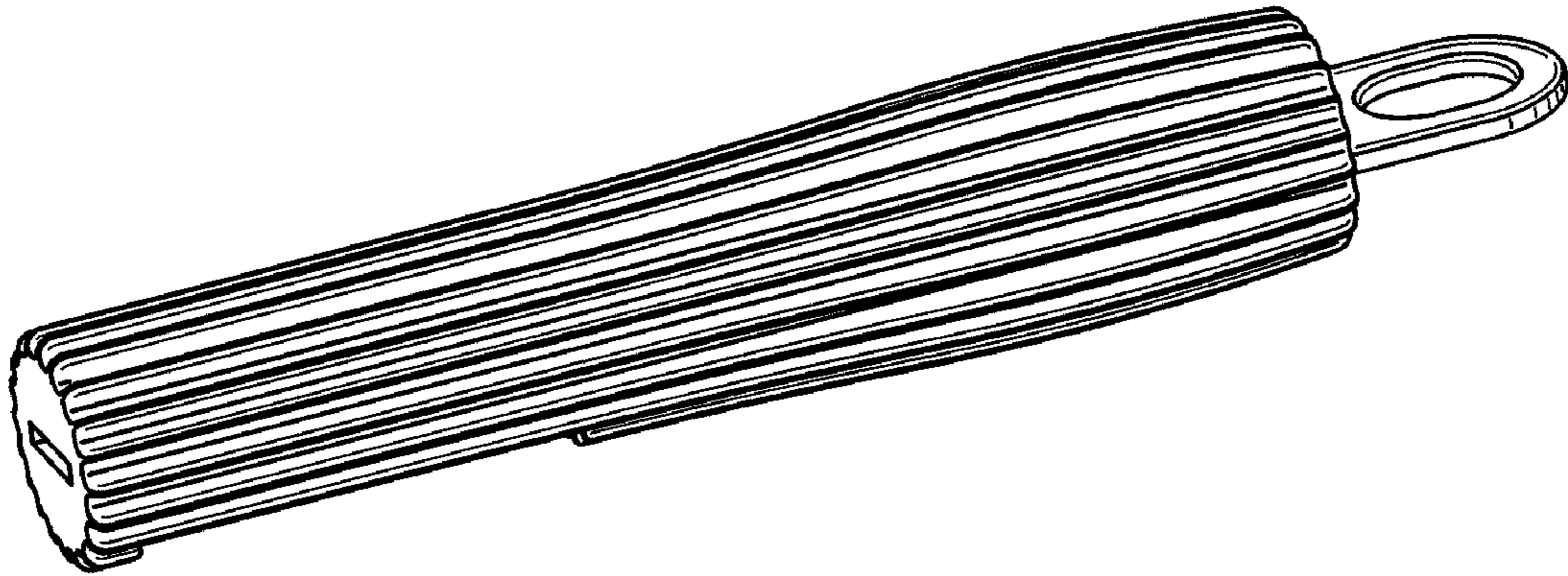


FIGURE 1



FIGURE 2



FIGURE 3



FIGURE 4



FIGURE 5

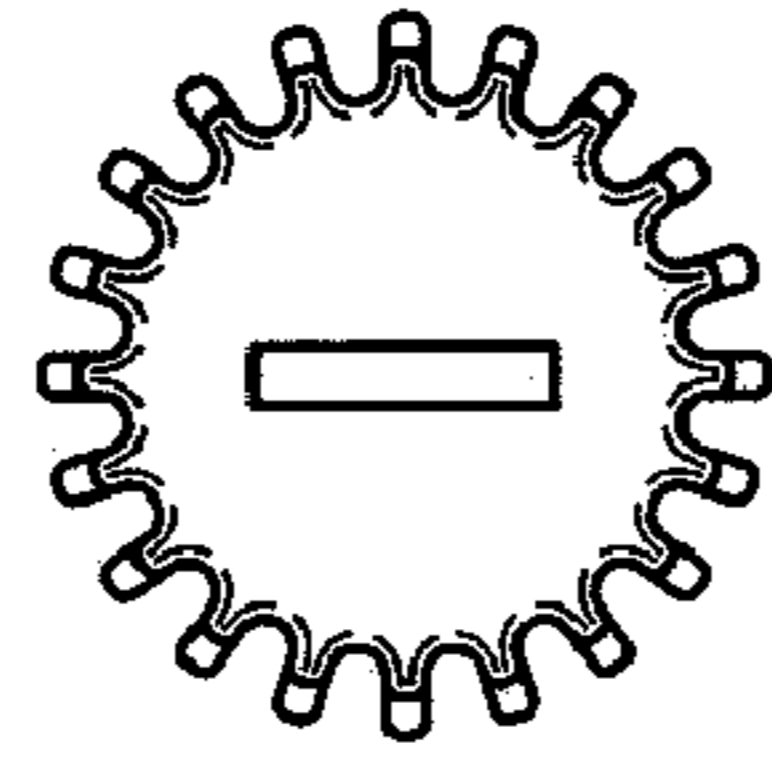


FIGURE 6

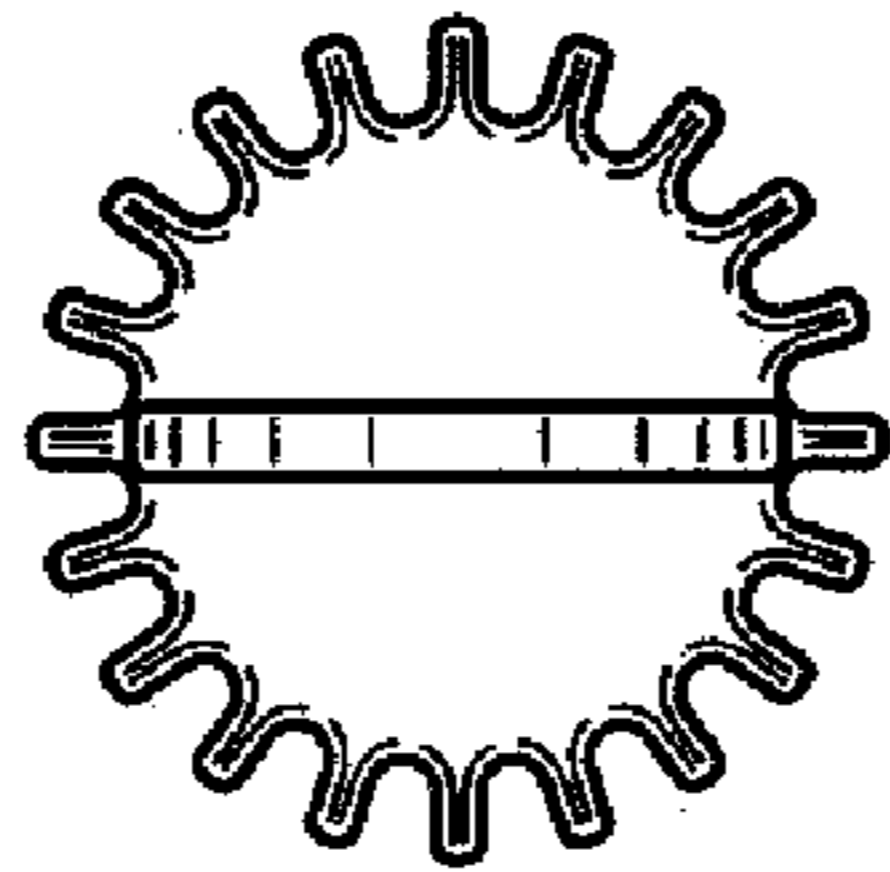


FIGURE 7

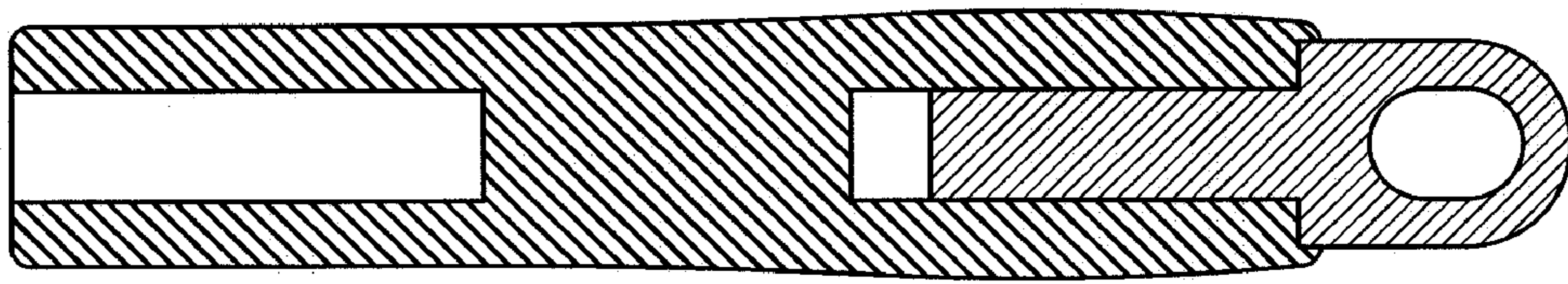


FIGURE 8