



US00D630886S

(12) **United States Design Patent**
Thanasouk

(10) **Patent No.:** **US D630,886 S**
(45) **Date of Patent:** **** Jan. 18, 2011**

(54) **COOKING TRAY AND RACK COMBINATION**

(76) **Inventor:** **Sayaphone Thanasouk**, 7305 SW. 191st St., Beaverton, OR (US) 97007

(**) **Term:** **14 Years**

(21) **Appl. No.:** **29/362,705**

(22) **Filed:** **May 28, 2010**

(51) **LOC (9) Cl.** **07-02**

(52) **U.S. Cl.** **D7/360; D7/354**

(58) **Field of Classification Search** D3/201, D3/304, 307-314; D7/323, 354-363, 402, D7/408-409, 505, 543-546, 554.1-554.4, D7/560, 584-588, 629; D9/414, 425, 430-434, D9/452, 456, 755, 760-761, 781-783; D24/226-230; D32/53; 99/340, 425-426, 430, 433, 450; 126/369; 219/728-730; 220/23.2, 534, 543, 220/573.1-573.3, 756, 769, 912; 229/5.82, 229/407; 249/53 R, 117, 136

See application file for complete search history.

(56) **References Cited**

U.S. PATENT DOCUMENTS

162,617	A *	4/1875	Brightman	220/756
527,252	A *	10/1894	Stroud	126/369
D50,818	S *	5/1917	Miller	D32/53
3,804,965	A	4/1974	Peters		
3,828,759	A	8/1974	Cooper		
4,971,216	A *	11/1990	Fortune	220/756
5,029,721	A *	7/1991	Timpe	220/769

D340,614	S *	10/1993	Kaeding	D7/360
5,511,467	A *	4/1996	Motley et al.	99/426
5,572,924	A	11/1996	Crnjanski		
D395,548	S *	6/1998	Morissette	D3/307
6,131,506	A *	10/2000	Kemper	99/425
6,173,644	B1 *	1/2001	Krall	99/340
6,213,005	B1 *	4/2001	Sherman et al.	99/426
D472,423	S *	4/2003	Swinford et al.	D7/359
6,823,773	B2	11/2004	Swinford et al.		
6,952,991	B2	10/2005	Siegel et al.		
D609,961	S *	2/2010	Bodum	D7/354

* cited by examiner

Primary Examiner—Ricky Pham

(74) *Attorney, Agent, or Firm*—Crossley Patent Law; Mark A. Crossley

(57) **CLAIM**

The ornamental design for a cooking tray and rack combination, as shown and described.

DESCRIPTION

FIG. 1 is a front elevation view of a cooking tray and rack combination showing my new design with a rack removed for clarity, the rear being a mirror image of the shown;

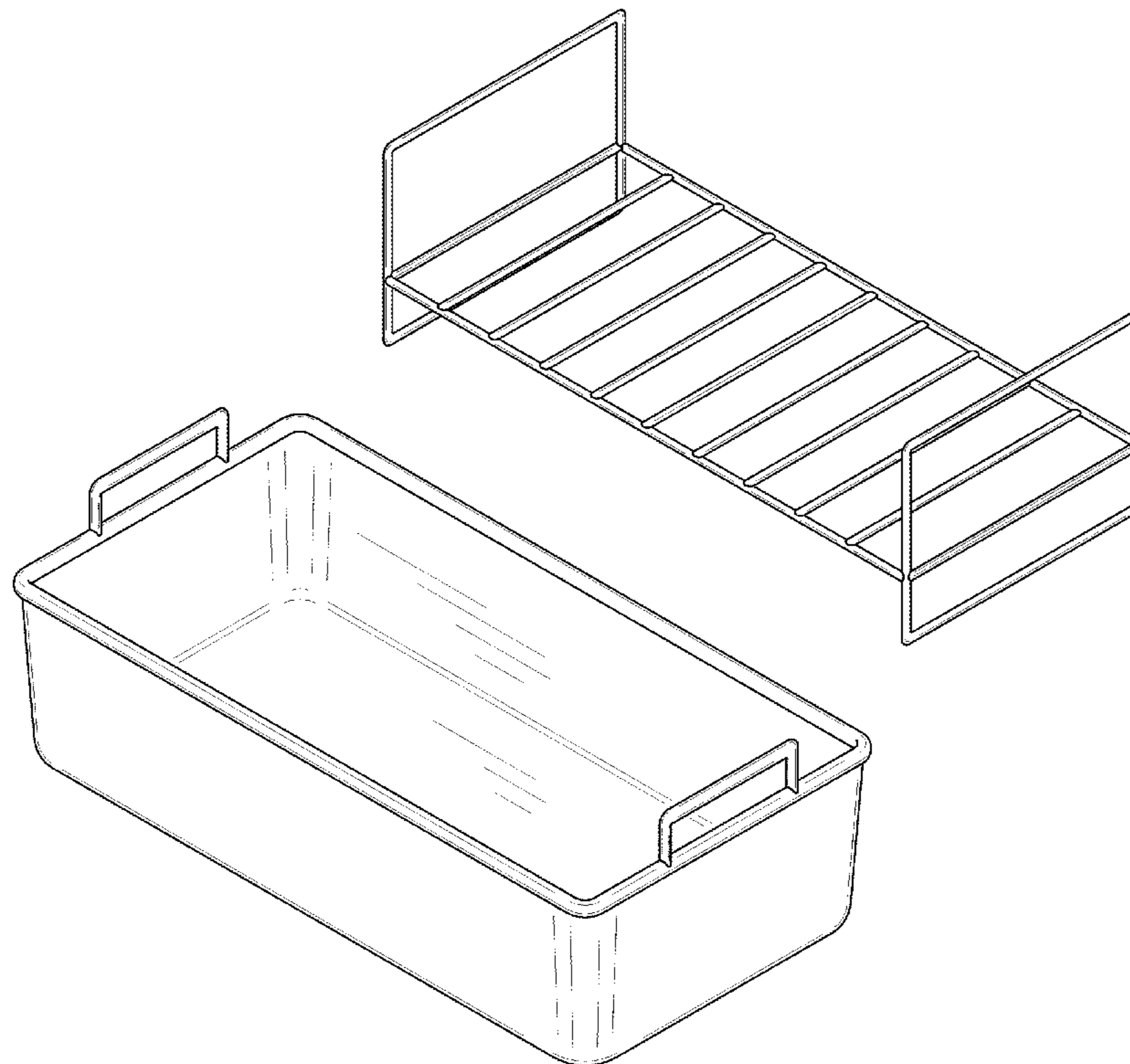
FIG. 2 is a right elevation view thereof, the opposite side being a mirror image of the shown;

FIG. 3 is a top plan view thereof;

FIG. 4 is a bottom plan view thereof; and,

FIG. 5 is an isometric view thereof.

1 Claim, 5 Drawing Sheets



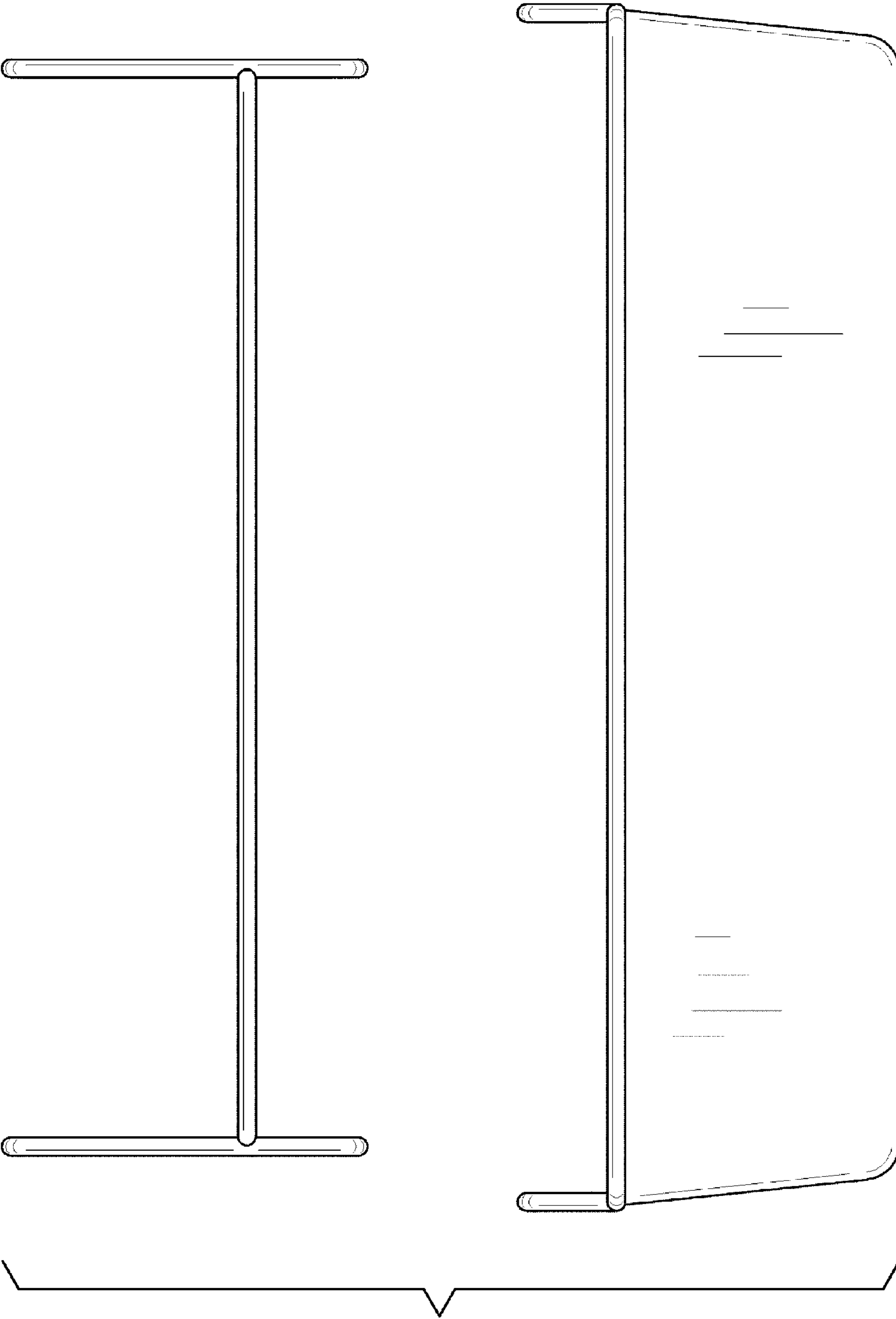


FIG. 1

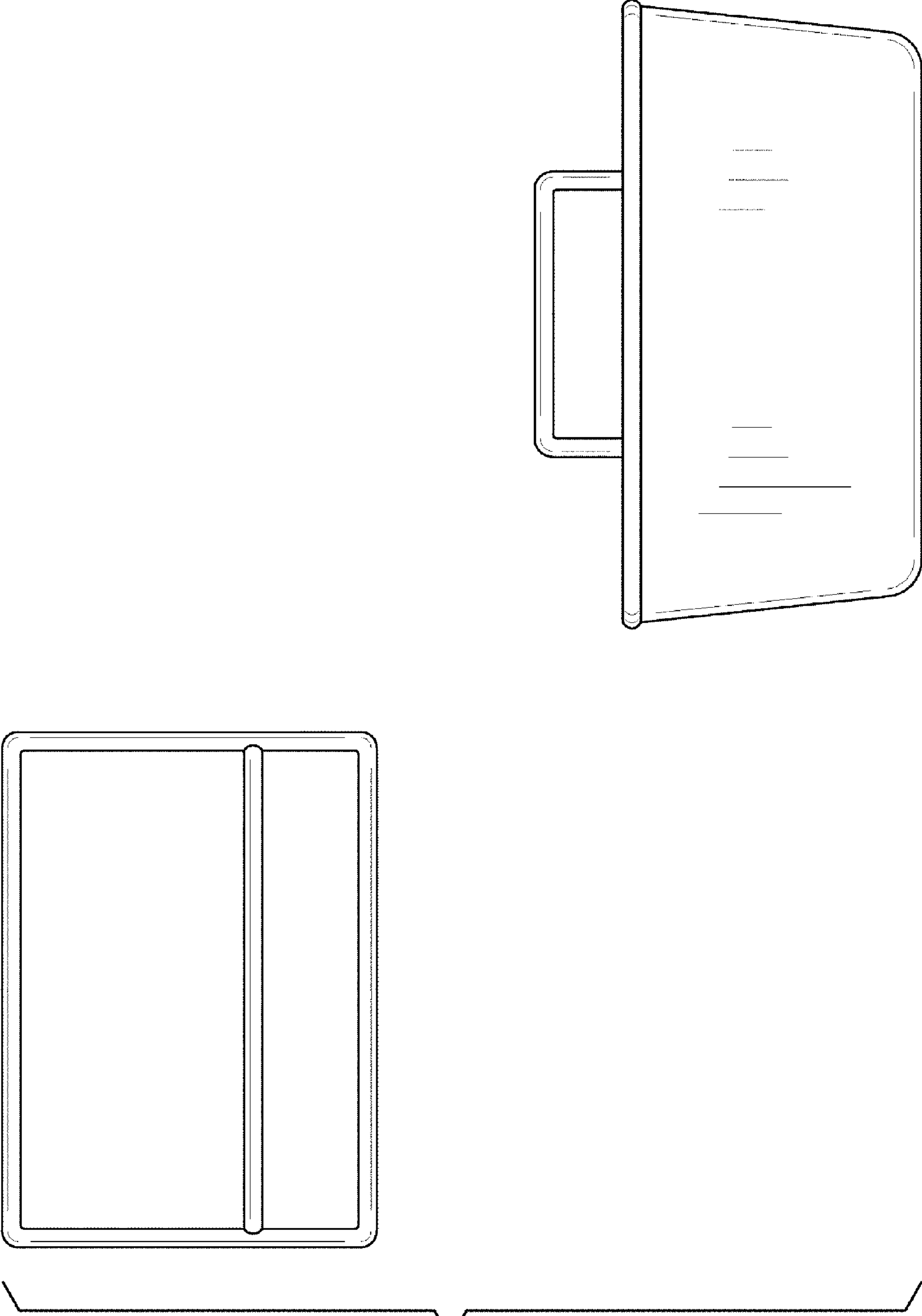


FIG. 2

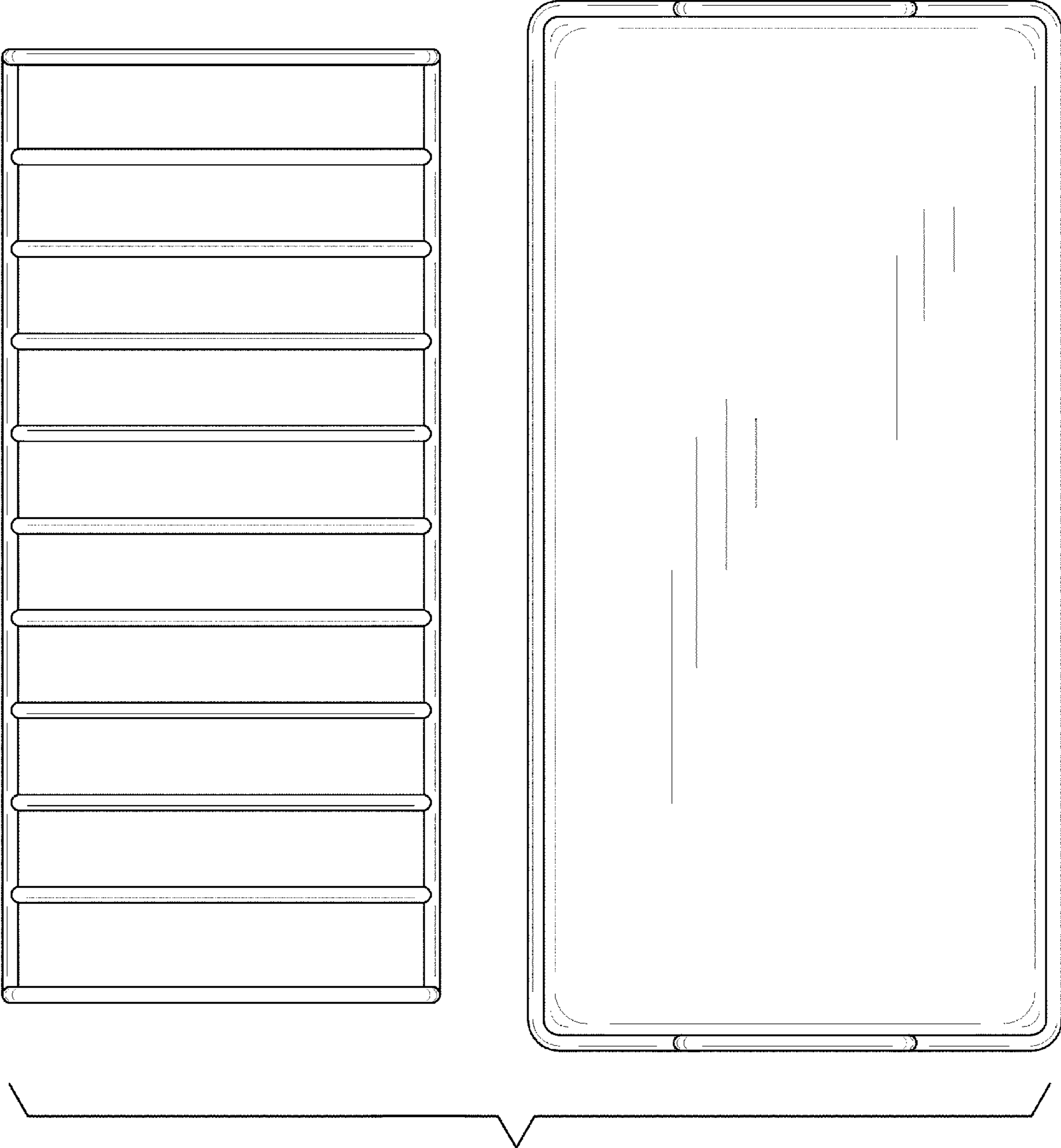


FIG. 3

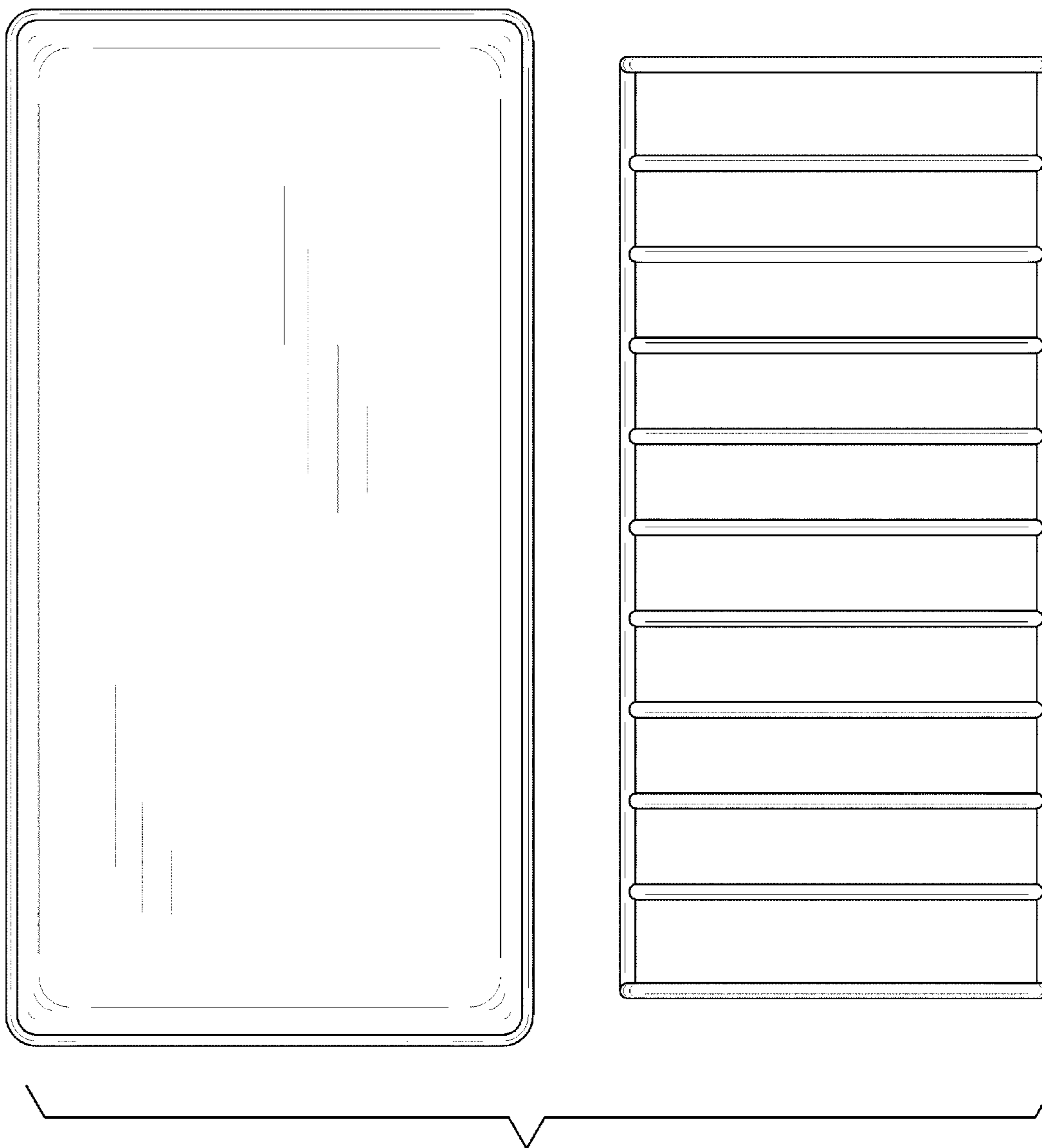


FIG. 4

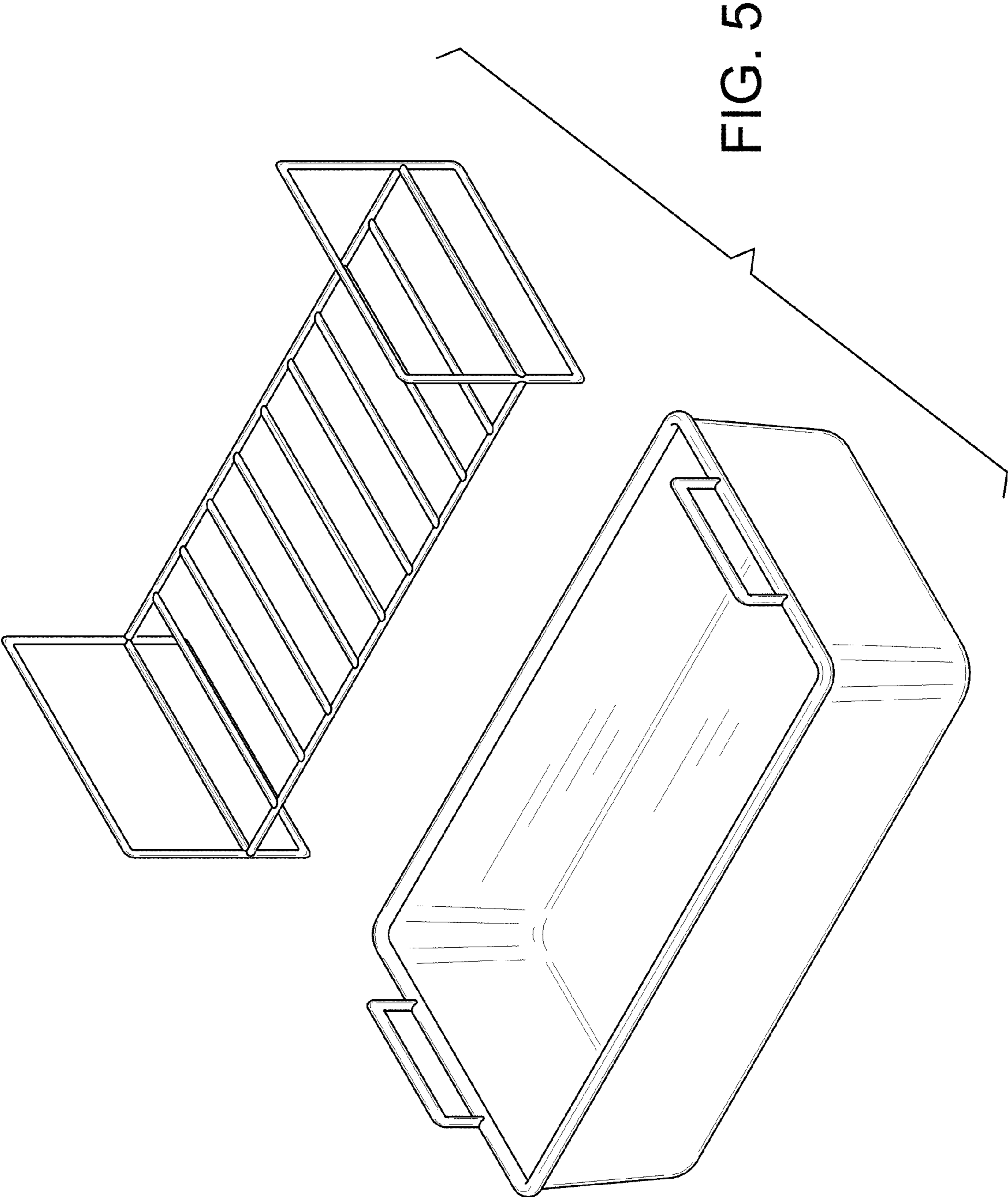


FIG. 5