



US00D630883S

(12) **United States Design Patent**
Pang et al.

(10) **Patent No.:** **US D630,883 S**

(45) **Date of Patent:** **** Jan. 18, 2011**

(54) **GRILL**

(75) Inventors: **Zhenze Pang**, Zhangzhou (CN); **Ta Chi Liu**, Tainan (TW)

(73) Assignee: **Tsann Kuen (Zhangzhou) Enterprise Co., Ltd.**, Zhangzhou (CN)

(**) Term: **14 Years**

(21) Appl. No.: **29/368,327**

(22) Filed: **Aug. 23, 2010**

(30) **Foreign Application Priority Data**

Apr. 30, 2010 (CN) 2010 3 0153820

(51) **LOC (9) Cl.** **07-02**

(52) **U.S. Cl.** **D7/352**

(58) **Field of Classification Search** D7/309,
D7/323, 328-332, 334-341, 347-348, 350.1,
D7/350.4, 351-363; 99/324-327, 331, 339-341,
99/349, 353, 369, 372-377, 385-393, 425,
99/444; 126/30, 41 R; 219/524-525, 620-622,
219/732-734

See application file for complete search history.

(56) **References Cited**

U.S. PATENT DOCUMENTS

D119,282 S * 3/1940 Reinecke et. al. D7/352

D467,766 S * 12/2002 Wanat et al. D7/352
D509,989 S * 9/2005 Steinberg et al. D7/352
D522,306 S * 6/2006 Wilgus et al. D7/337
D543,410 S * 5/2007 Cohen et al. D7/352
D575,576 S * 8/2008 Chao D7/352
D580,210 S * 11/2008 Chen D7/337
D594,693 S * 6/2009 Hsu D7/354

* cited by examiner

Primary Examiner—Ricky Pham

(74) *Attorney, Agent, or Firm*—Rabin & Berdo, P.C.

(57) **CLAIM**

The ornamental design for a grill, as shown and described.

DESCRIPTION

FIG. 1 is a front view of a grill showing our new design;

FIG. 2 is a rear view thereof;

FIG. 3 is a left side view thereof;

FIG. 4 is a right side view thereof;

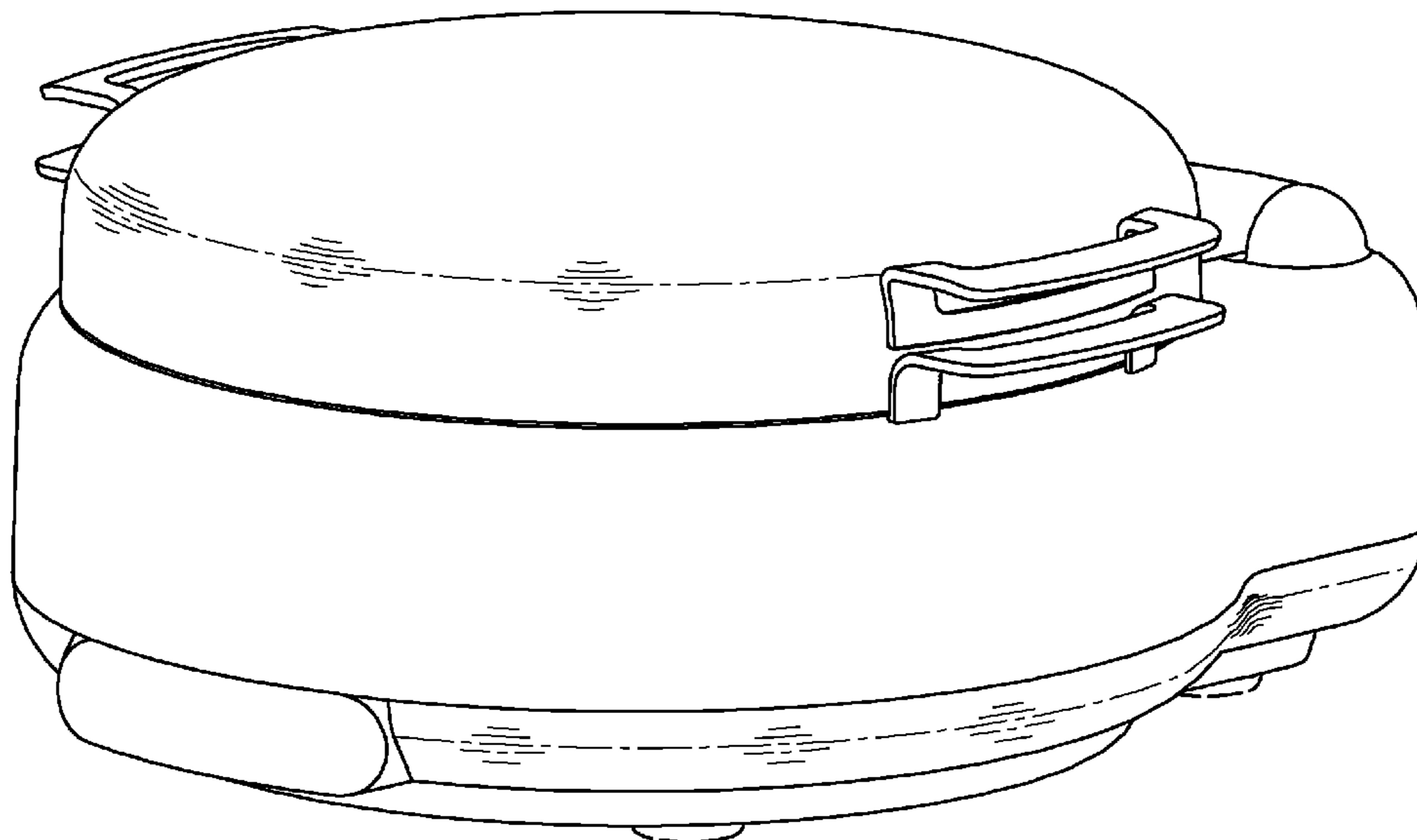
FIG. 5 is a top plan view thereof;

FIG. 6 is a bottom plan view thereof; and,

FIG. 7 is a perspective view thereof.

The broken lines in the Figures are for illustrative purposes only and form no part of the claimed design.

1 Claim, 7 Drawing Sheets



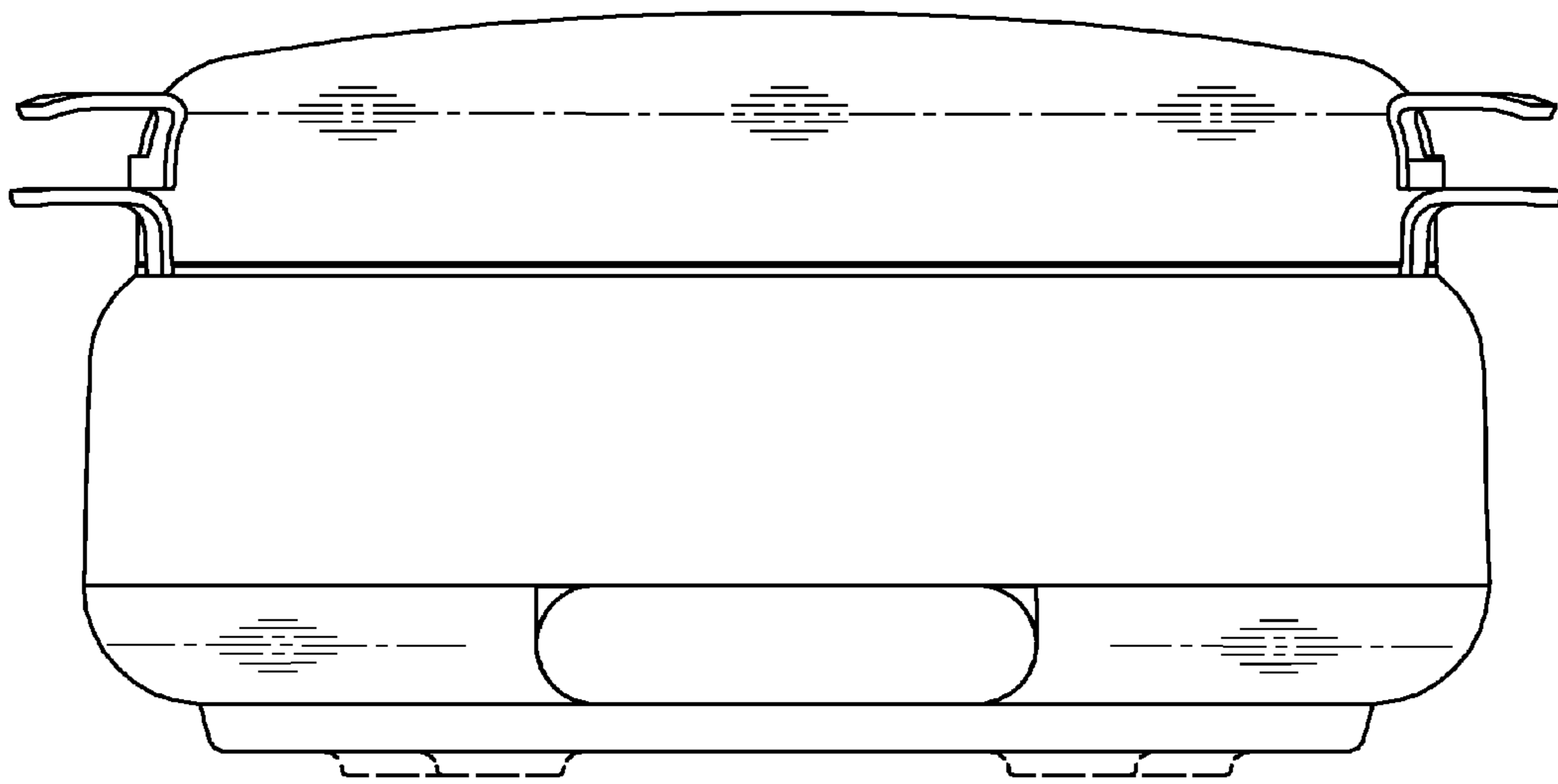


FIG.1

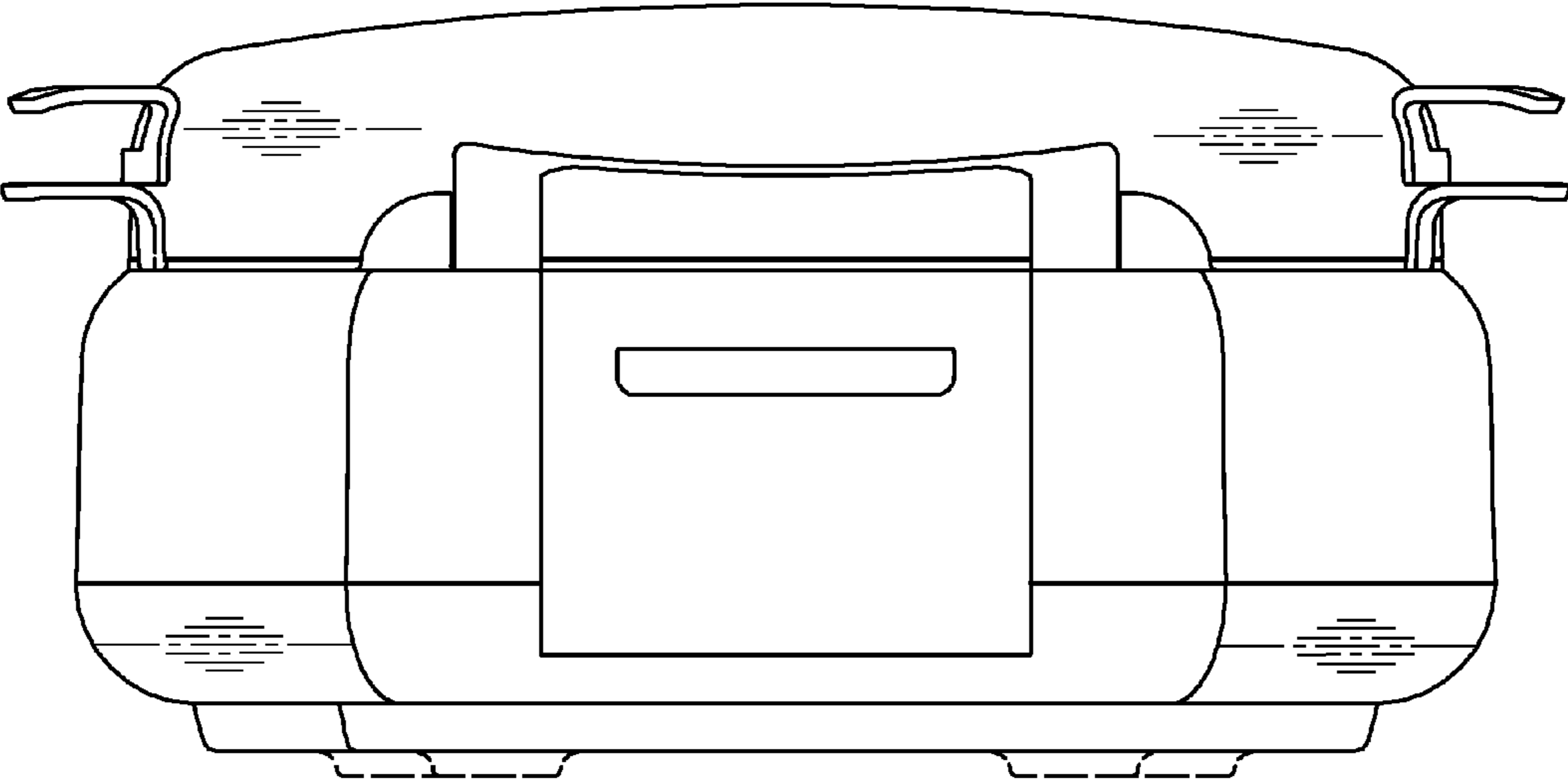


FIG.2

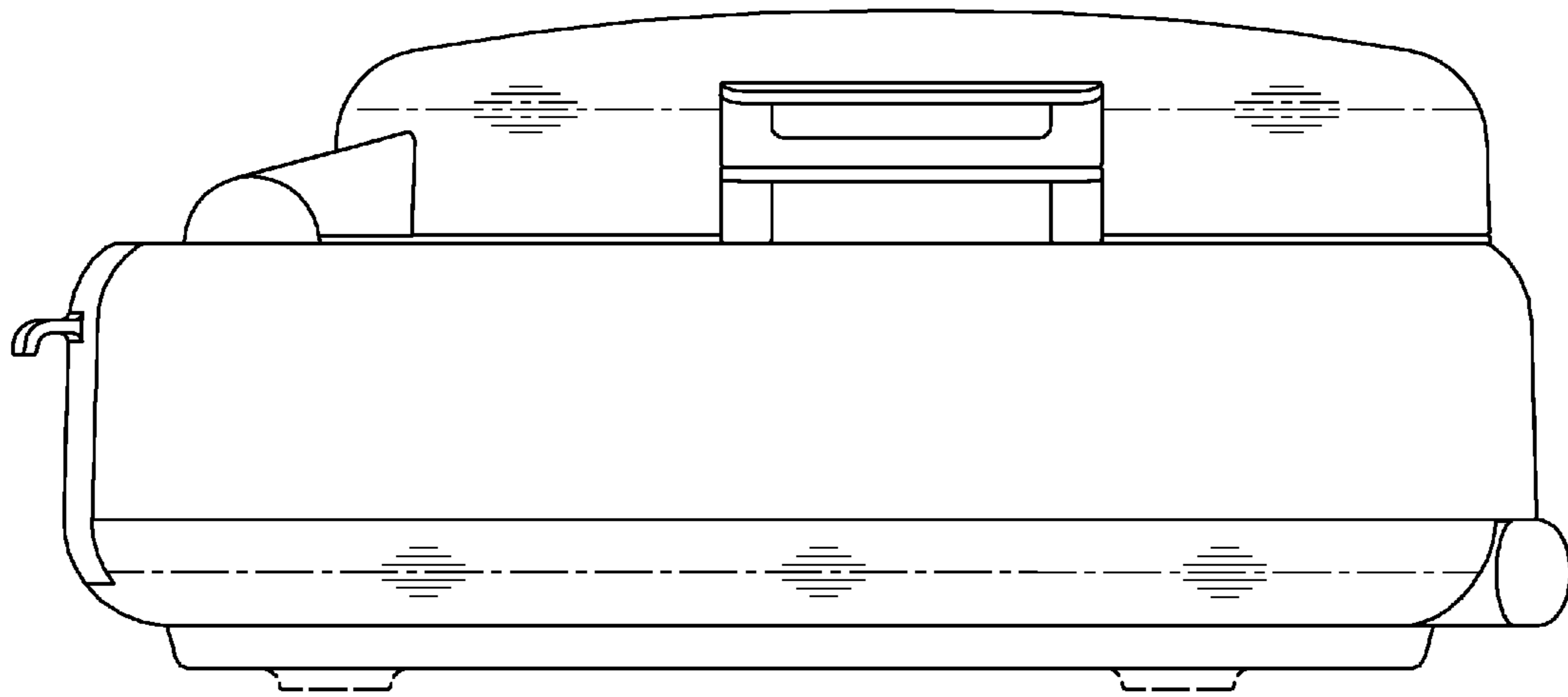


FIG.3

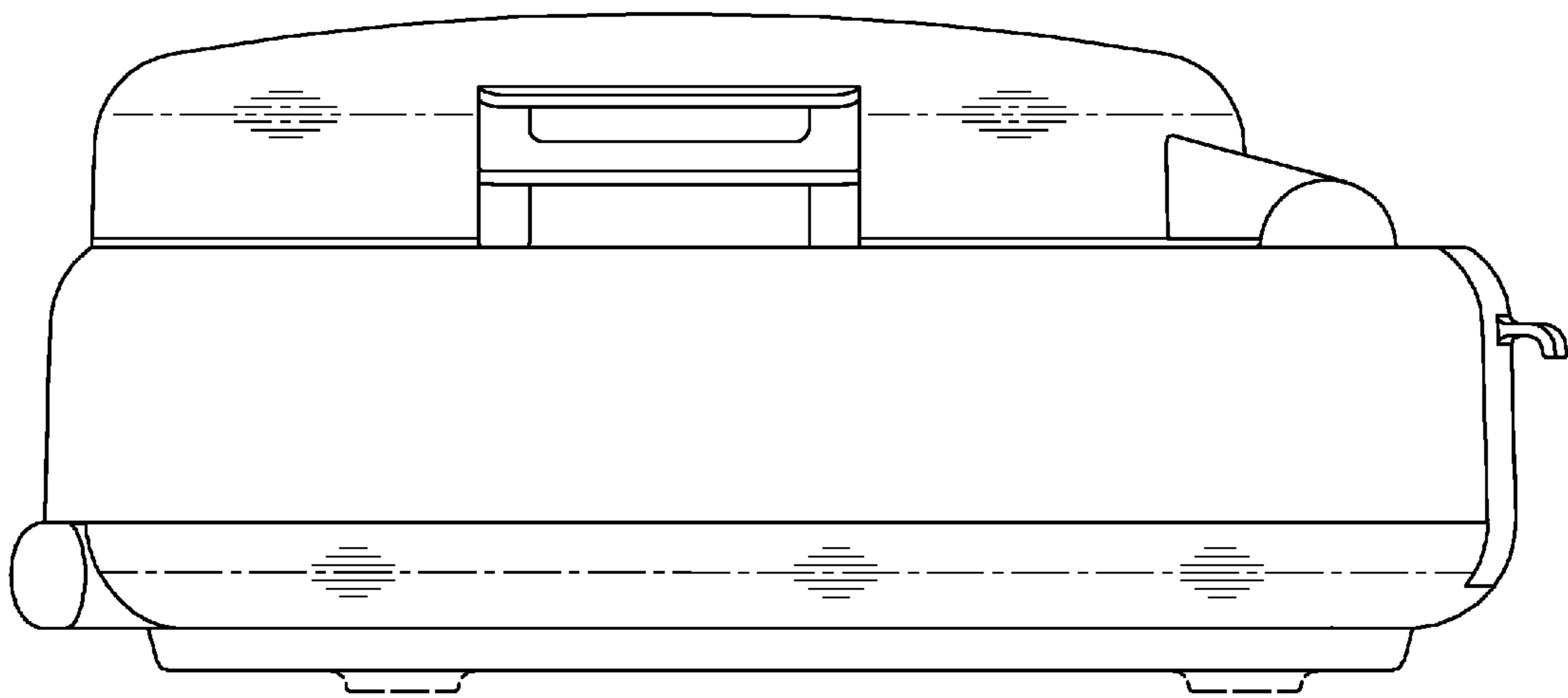


FIG.4

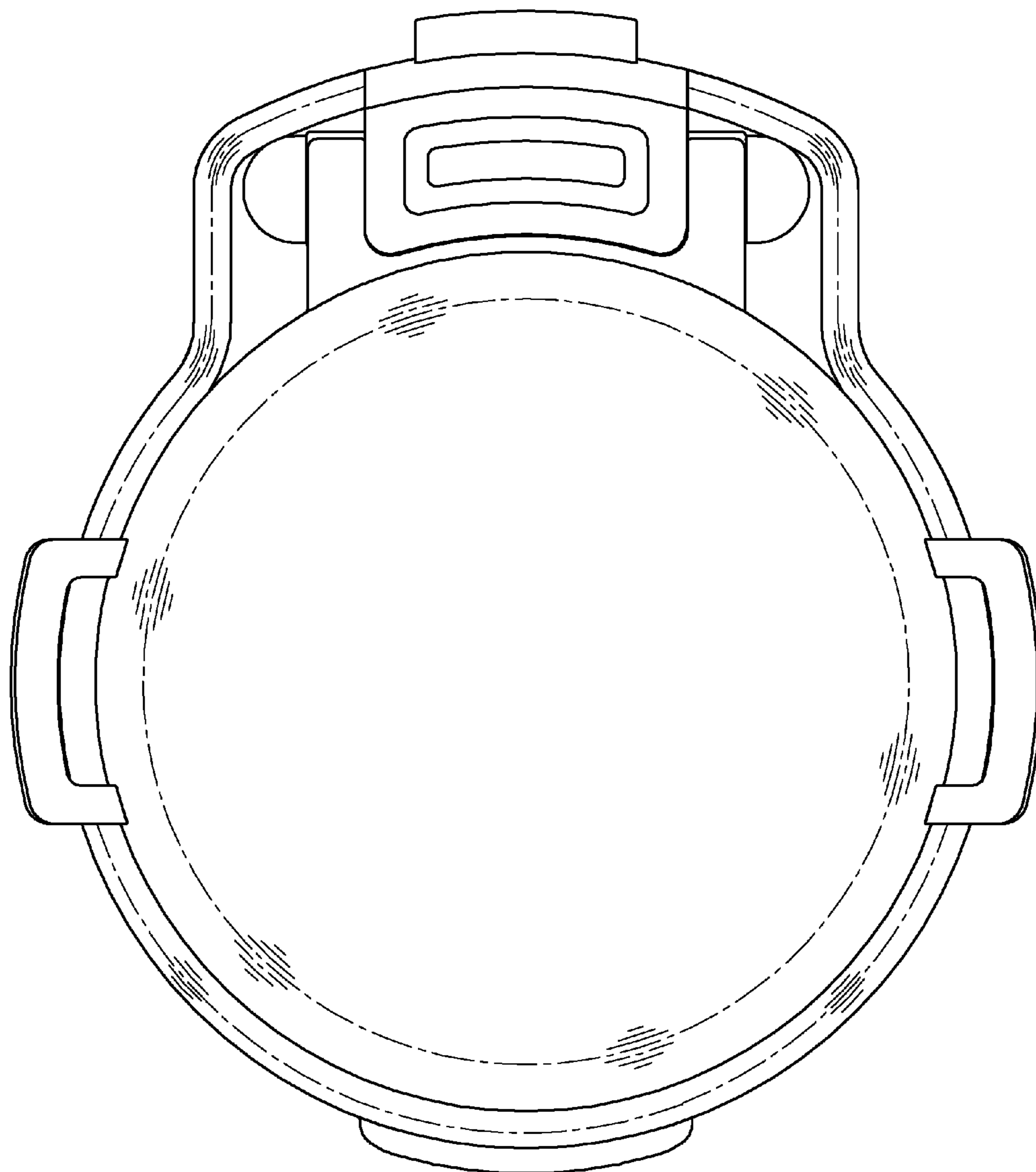


FIG.5

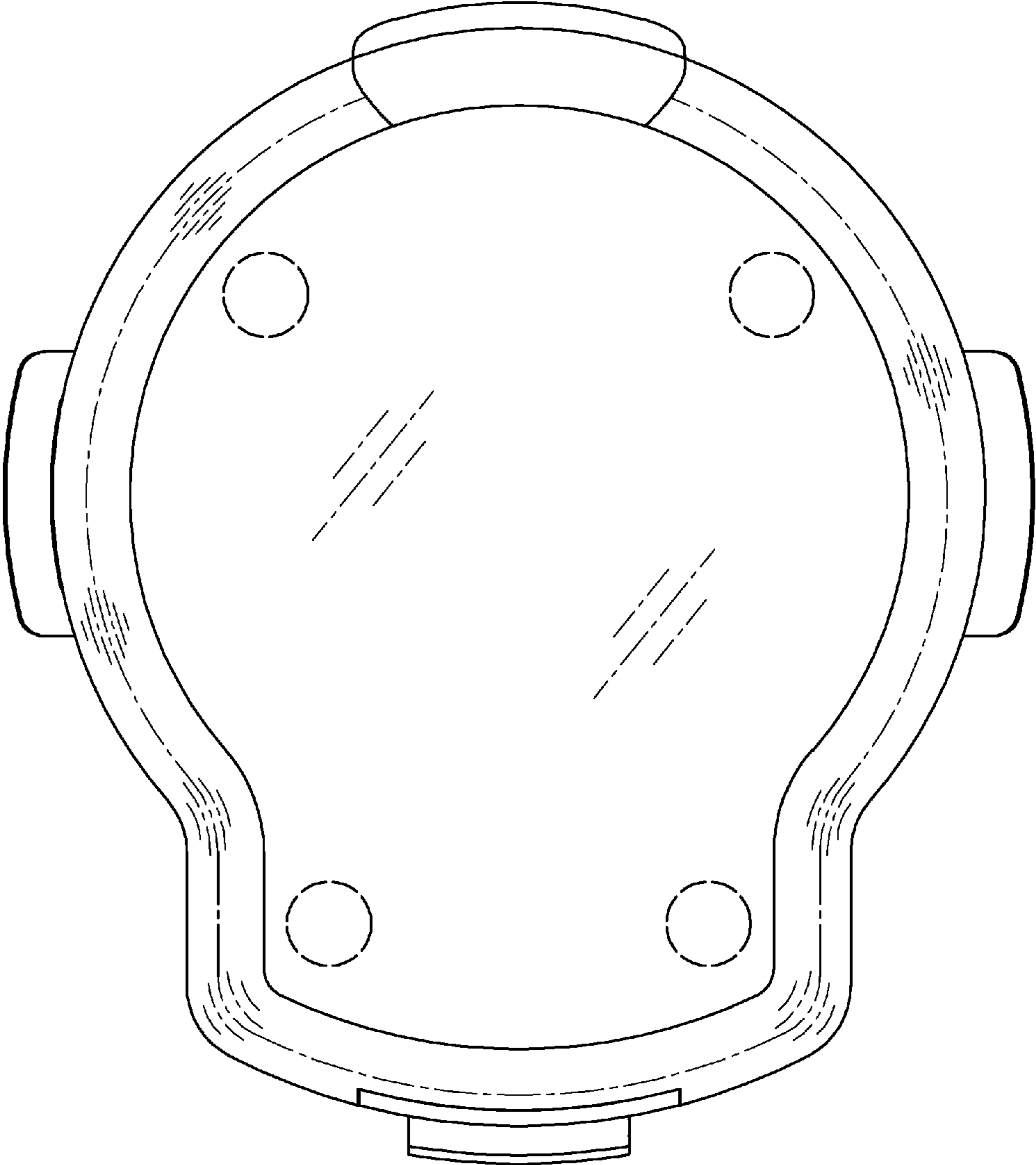


FIG.6

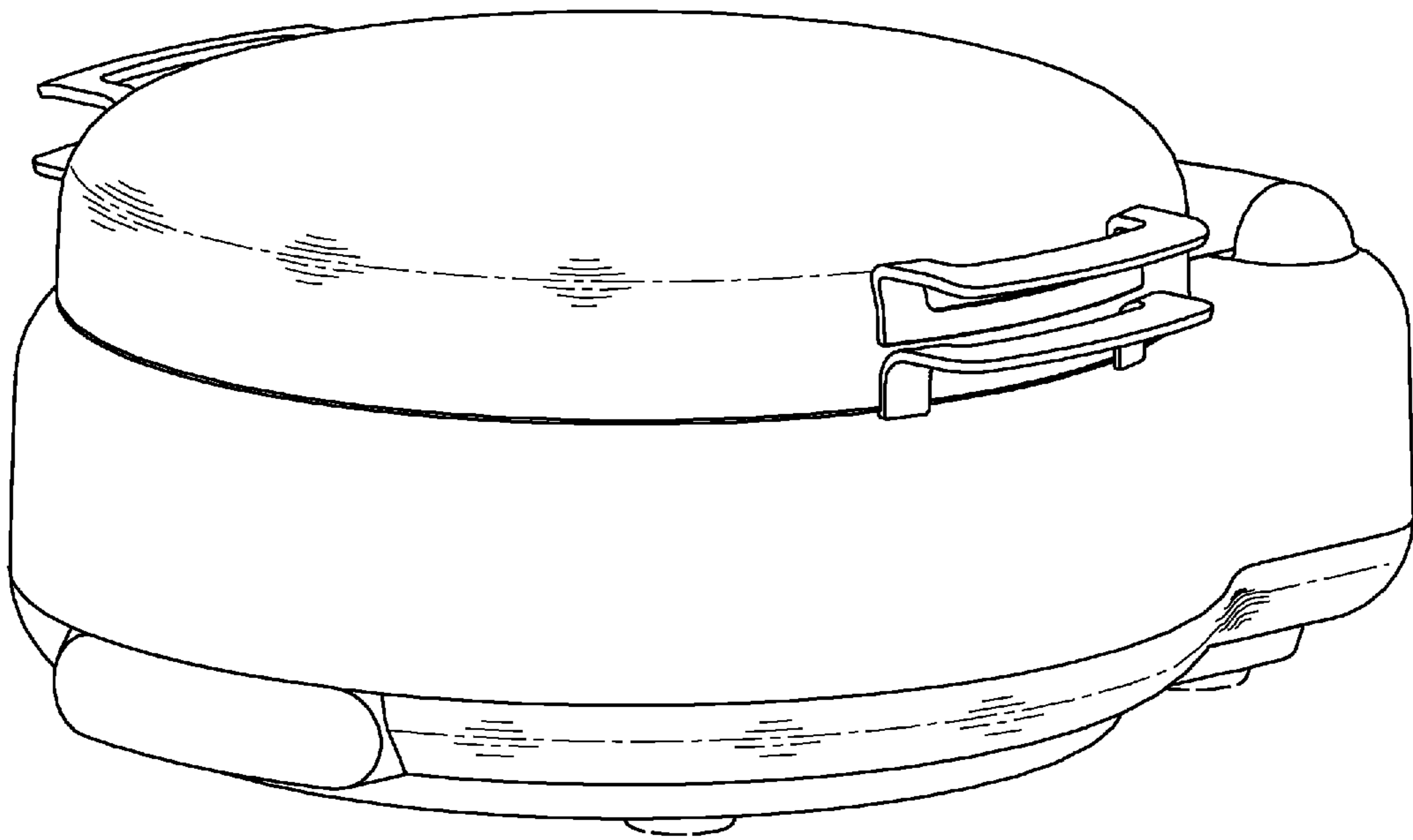


FIG.7