



US00D630882S

(12) **United States Design Patent**
Cohen

(10) **Patent No.:** **US D630,882 S**
(45) **Date of Patent:** **** Jan. 18, 2011**

(54) **KETTLE FOR BASE**

(75) Inventor: **Paul Cohen**, Watsons Bay (AU)

(73) Assignee: **Breville Pty Limited**, Botany, New South Wales (AU)

(**) Term: **14 Years**

(21) Appl. No.: **29/329,376**

(22) Filed: **Dec. 15, 2008**

(30) **Foreign Application Priority Data**

Jun. 17, 2008 (AU) 12861/2008
Jun. 17, 2008 (AU) 12862/2008
Jun. 17, 2008 (AU) 12863/2008

(51) **LOC (9) Cl.** **07-01**

(52) **U.S. Cl.** **D7/318; D7/317**

(58) **Field of Classification Search** D7/300,
D7/316-319, 605; 210/143; 222/146.6;
215/13.1; 219/429

See application file for complete search history.

(56) **References Cited**

U.S. PATENT DOCUMENTS

D203,852 S * 2/1966 Douglas D7/317
D427,478 S * 7/2000 Littmann et al. D7/318
D439,466 S * 3/2001 Bouhuys D7/319
D445,628 S * 7/2001 McGroary D7/318
D463,706 S * 10/2002 Lecerf D7/317
D475,233 S * 6/2003 De Visser D7/317

D490,640 S * 6/2004 De Visser D7/319
D498,384 S * 11/2004 McWilliam D7/319
D498,638 S * 11/2004 Morrison D7/319
D527,940 S * 9/2006 Cohen D7/318
D545,111 S * 6/2007 Brown D7/317
D554,425 S * 11/2007 Schwamkrug D7/318
D600,064 S * 9/2009 Beckman et al. D7/319
D611,288 S * 3/2010 Bodum D7/305

* cited by examiner

Primary Examiner—Marianne Pandozzi

(74) *Attorney, Agent, or Firm*—Molins & Co

(57) **CLAIM**

The ornamental design for a kettle for base, as shown and described.

DESCRIPTION

FIG. 1 is a front view of a kettle for base showing my new design;

FIG. 2 is a back view thereof;

FIG. 3 is a left side view thereof;

FIG. 4 is a right side view thereof;

FIG. 5 is a top plan view thereof;

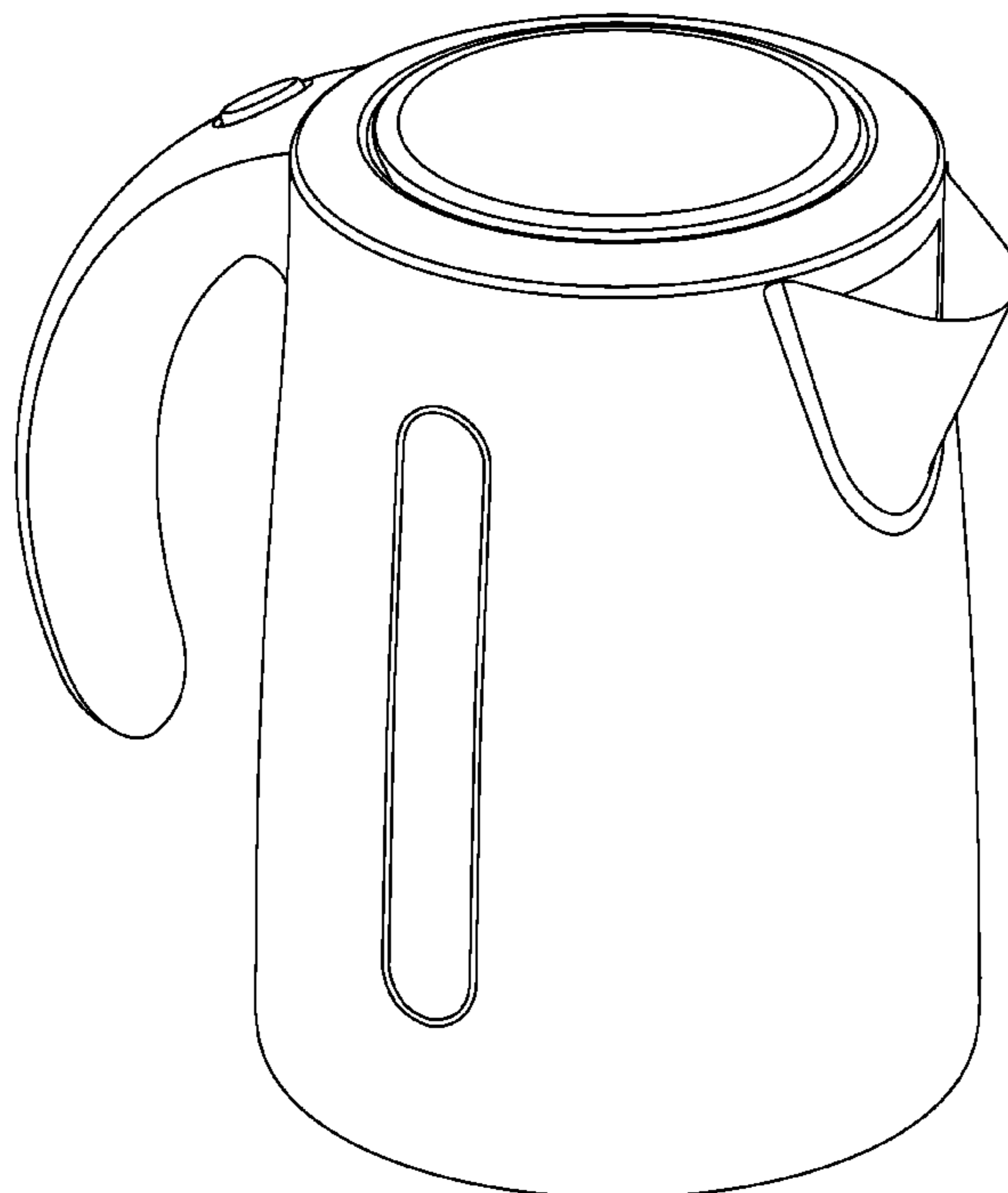
FIG. 6 is a bottom plan view thereof;

FIG. 7 is a front perspective view thereof; and,

FIG. 8 is a back perspective view thereof.

The broken lines in the drawings are included for the purpose of illustration and form no part of the claimed design.

1 Claim, 8 Drawing Sheets



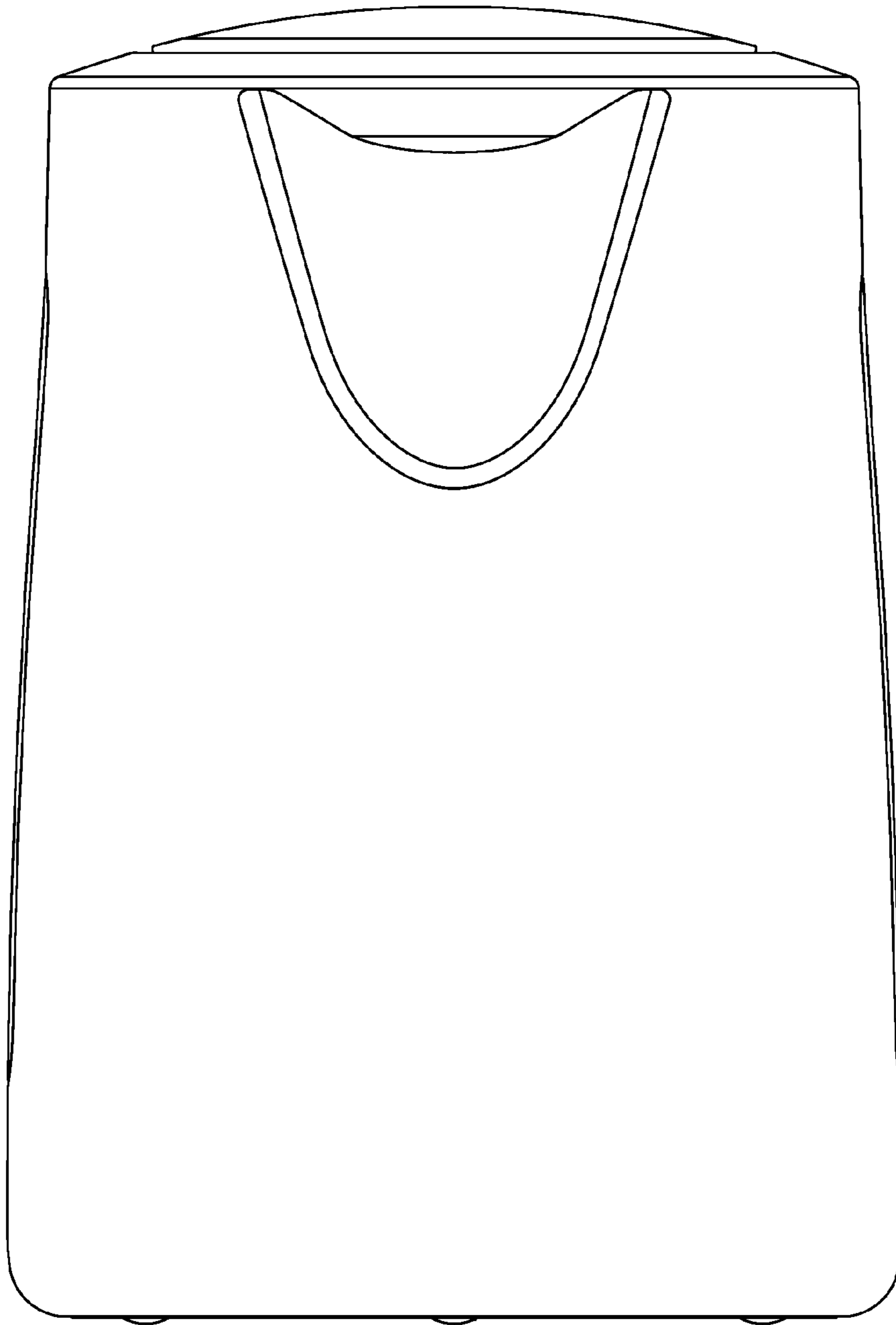


Figure 1

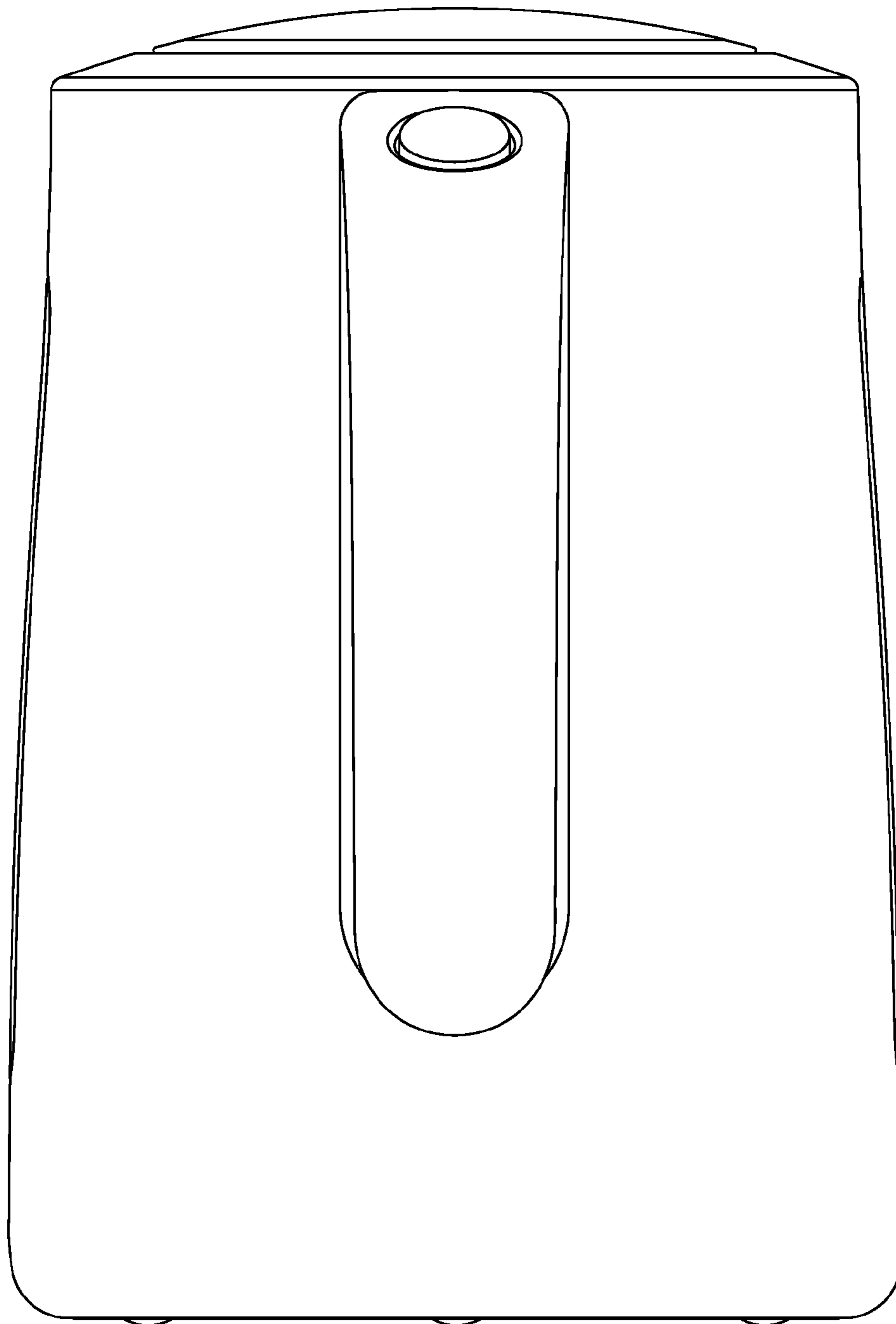


Figure 2

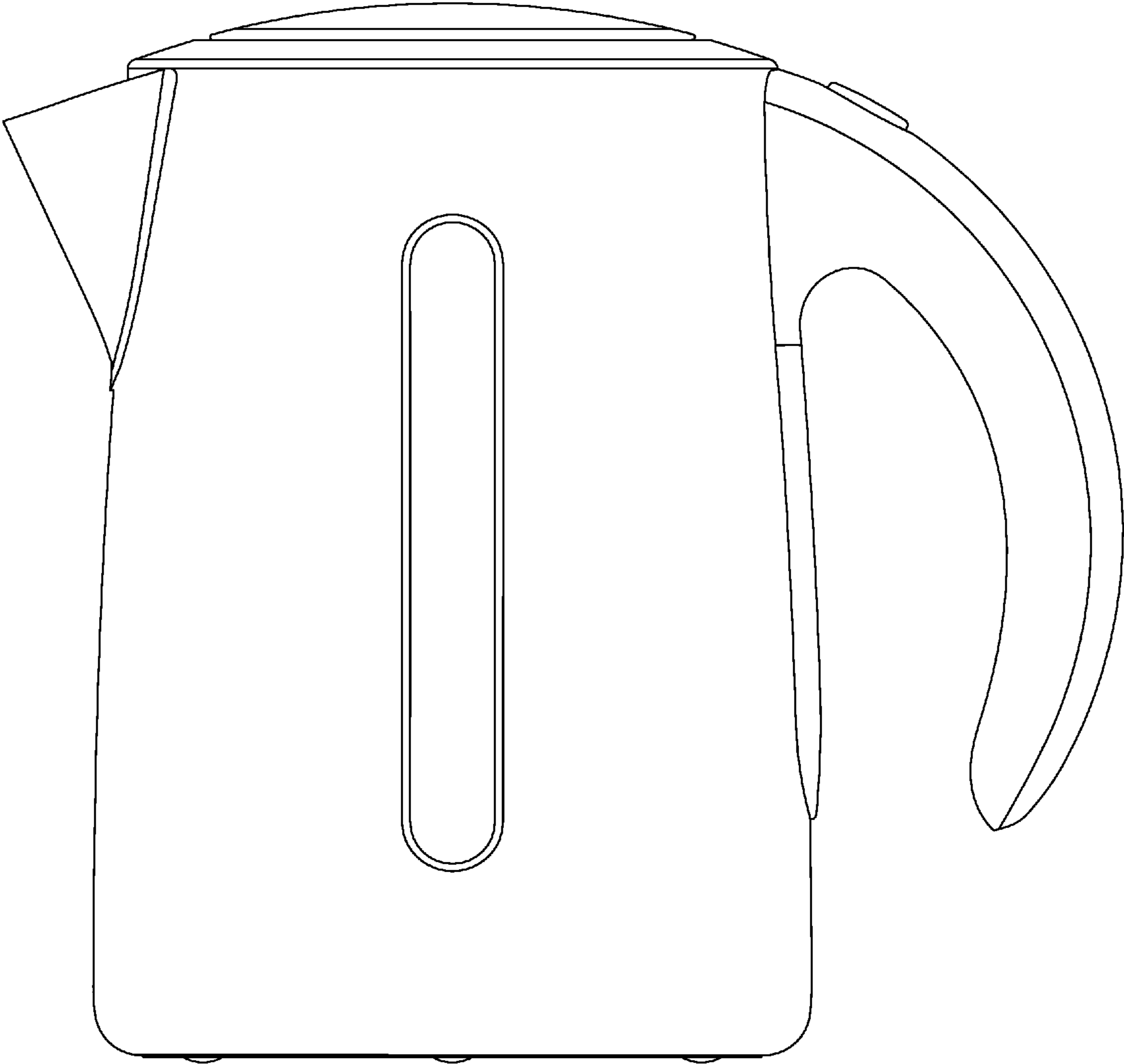


Figure 3

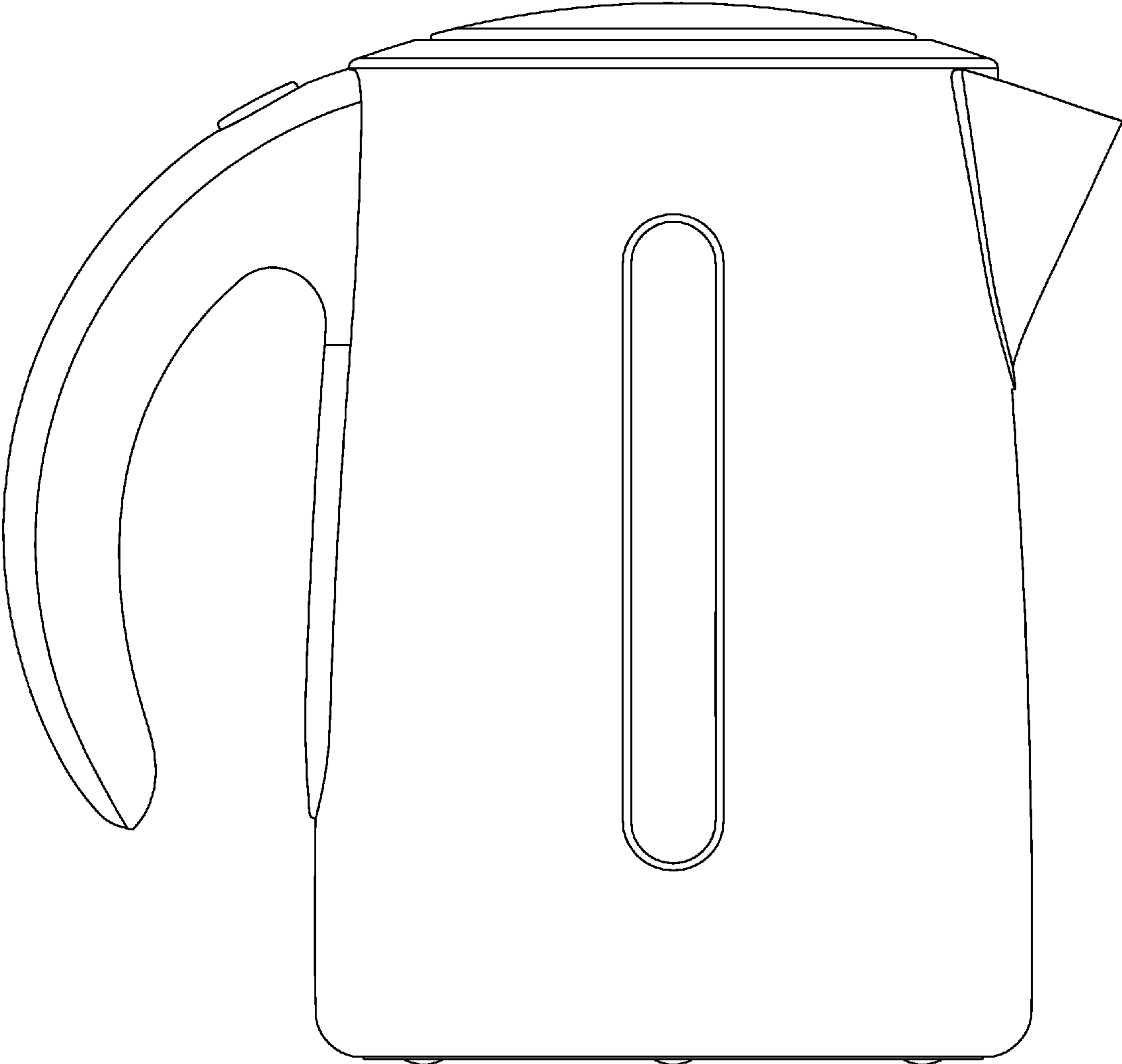


Figure 4

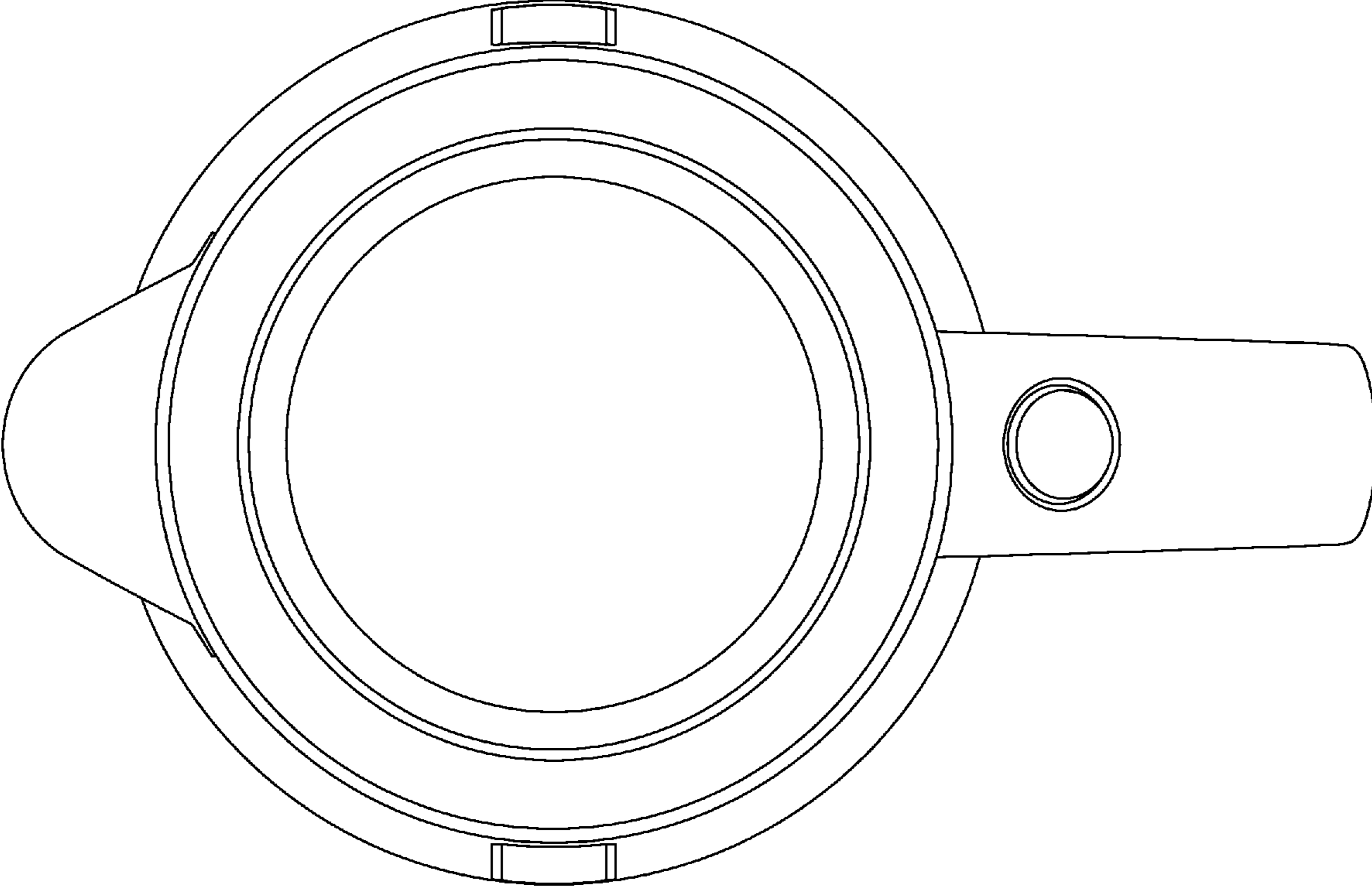


Figure 5

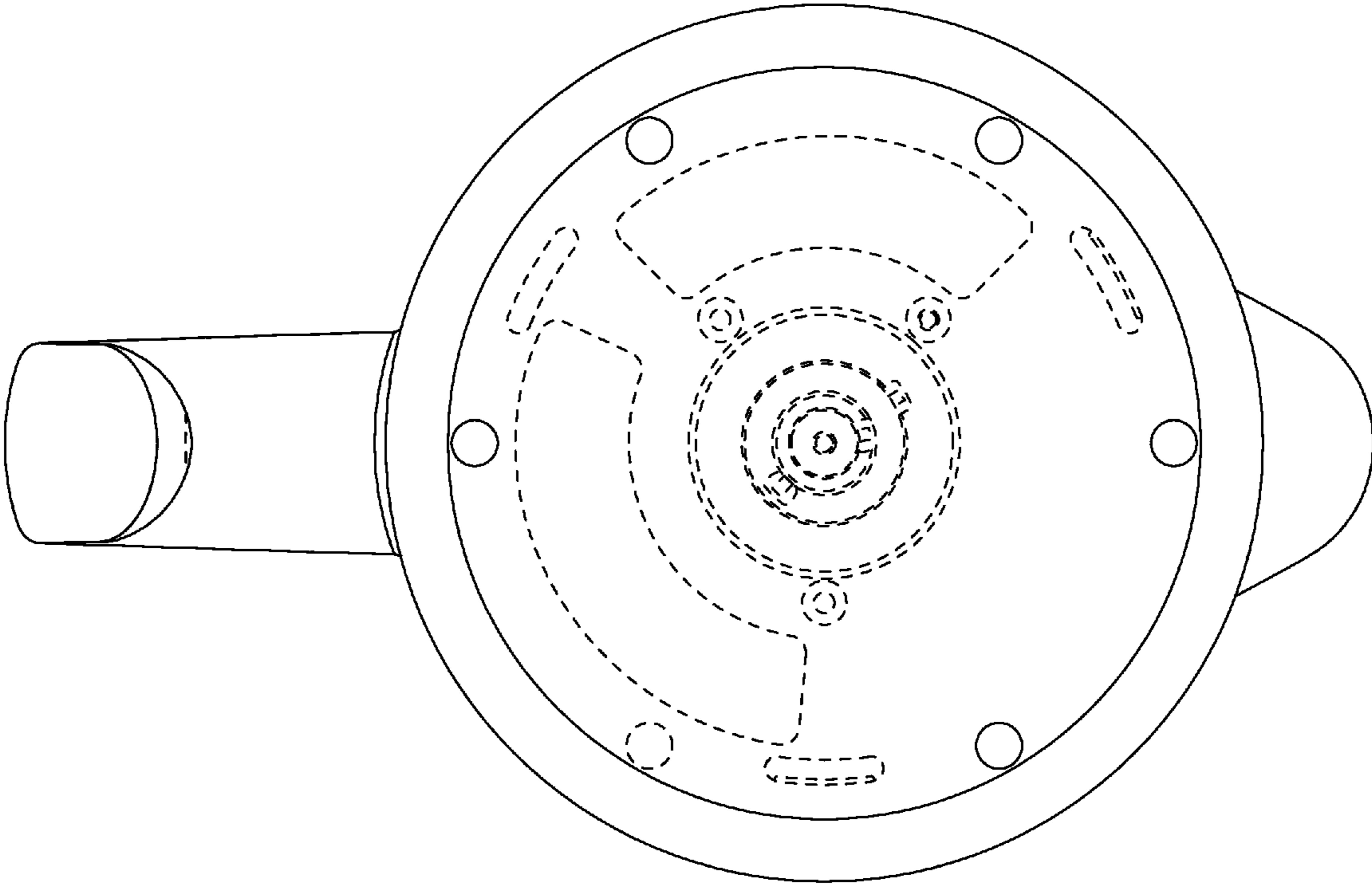


Figure 6

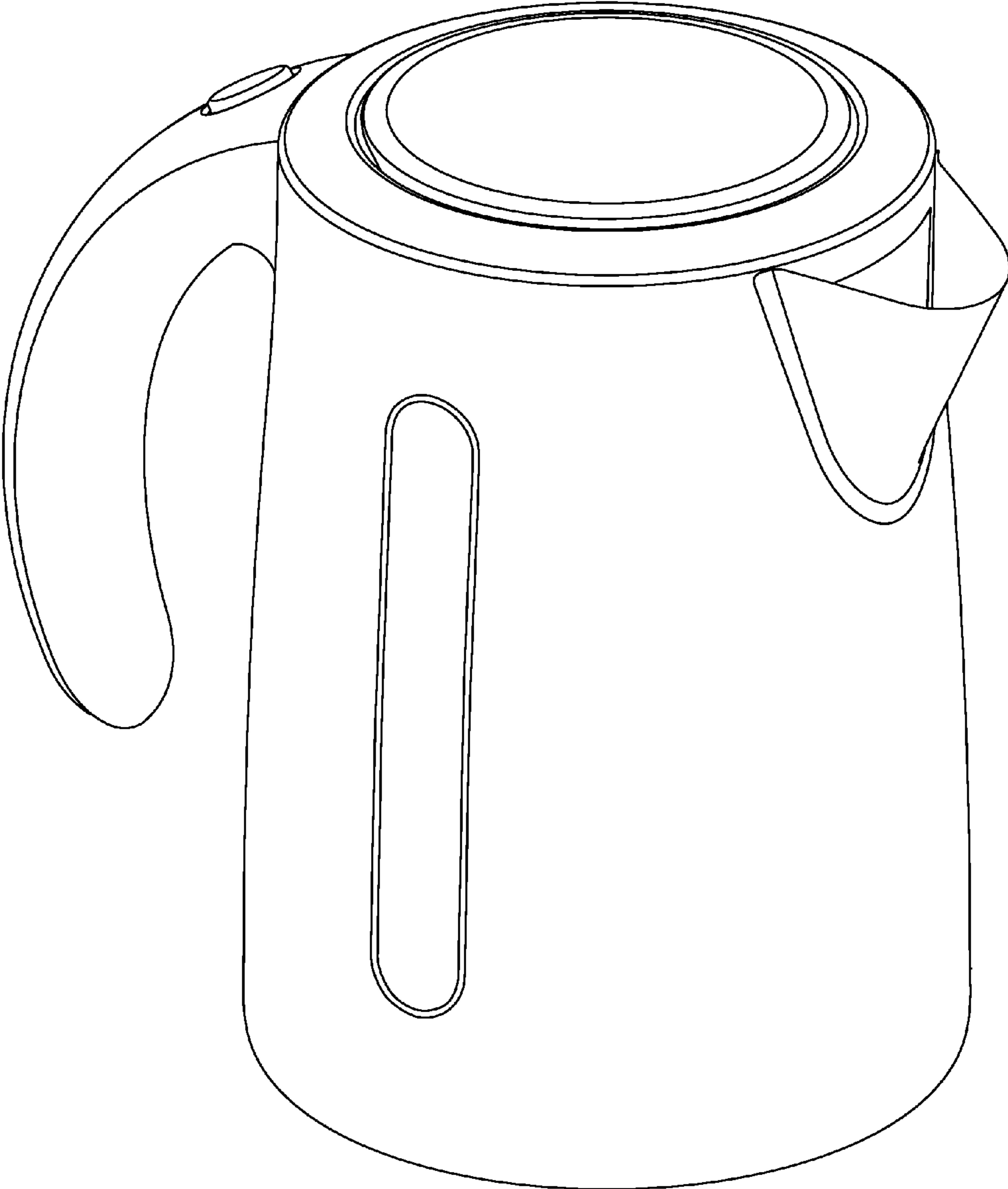


Figure 7

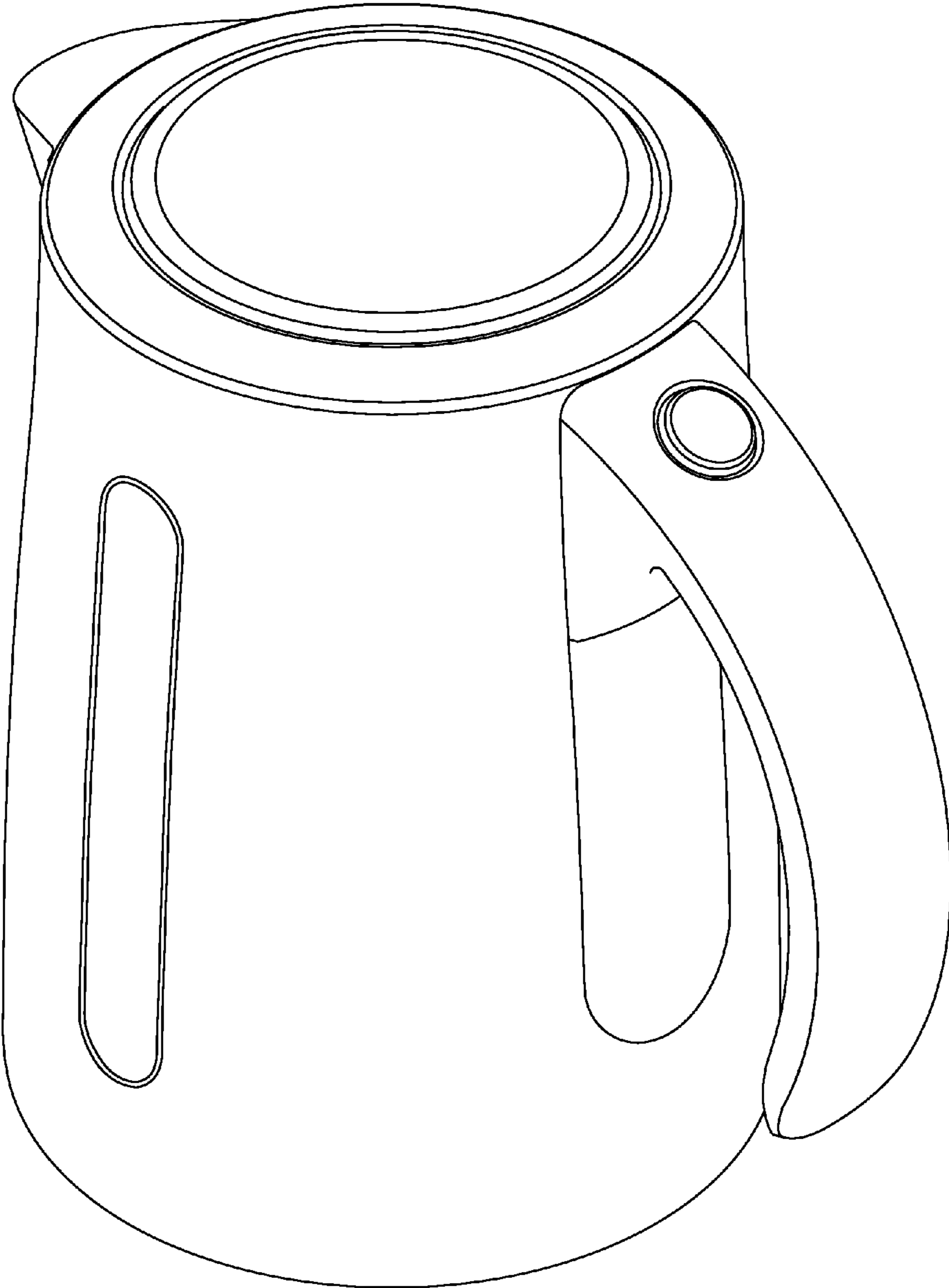


Figure 8