



US00D630881S

(12) **United States Design Patent**  
**Rezzonico**

(10) **Patent No.:** **US D630,881 S**

(45) **Date of Patent:** **\*\* Jan. 18, 2011**

(54) **COFFEE MACHINE**

(75) Inventor: **Fabio Rezzonico**, Como (IT)

(73) Assignee: **Illycaffè Spa**, Trieste (IT)

(\*\*) Term: **14 Years**

(21) Appl. No.: **29/361,523**

(22) Filed: **May 12, 2010**

(30) **Foreign Application Priority Data**

Nov. 13, 2009 (EP) ..... 11177653-0003

(51) **LOC (9) Cl.** ..... **07-01**

(52) **U.S. Cl.** ..... **D7/309; D7/311**

(58) **Field of Classification Search** ..... D7/306-311,  
D7/300; 99/295, 279

See application file for complete search history.

(56) **References Cited**

**U.S. PATENT DOCUMENTS**

D399,089 S *	10/1998	Cortese	.....	D7/309
D523,279 S *	6/2006	Zemp	.....	D7/309
D540,608 S *	4/2007	Cahen	.....	D7/309
D547,175 S *	7/2007	Berg	.....	D9/423
D556,496 S *	12/2007	Fung	.....	D7/309
D562,051 S *	2/2008	Hulett et al.	.....	D7/306
D563,145 S *	3/2008	Henry	.....	D7/334

D587,511 S *	3/2009	Buttler	.....	D7/309
D598,695 S *	8/2009	Currie	.....	D7/311
D602,727 S *	10/2009	Nicolini	.....	D7/307
D622,534 S *	8/2010	Zimmermann	.....	D7/307
D623,462 S *	9/2010	Ashbridge	.....	D7/306

\* cited by examiner

*Primary Examiner*—Marianne Pandozzi

(74) *Attorney, Agent, or Firm*—Hamre, Schumann, Mueller & Larson, P.C.

(57) **CLAIM**

The ornamental design for coffee machine, as shown and described.

**DESCRIPTION**

FIG. 1 is a front left perspective view of a coffee machine showing my new design;

FIG. 2 is a front view thereof;

FIG. 3 is a left side view thereof;

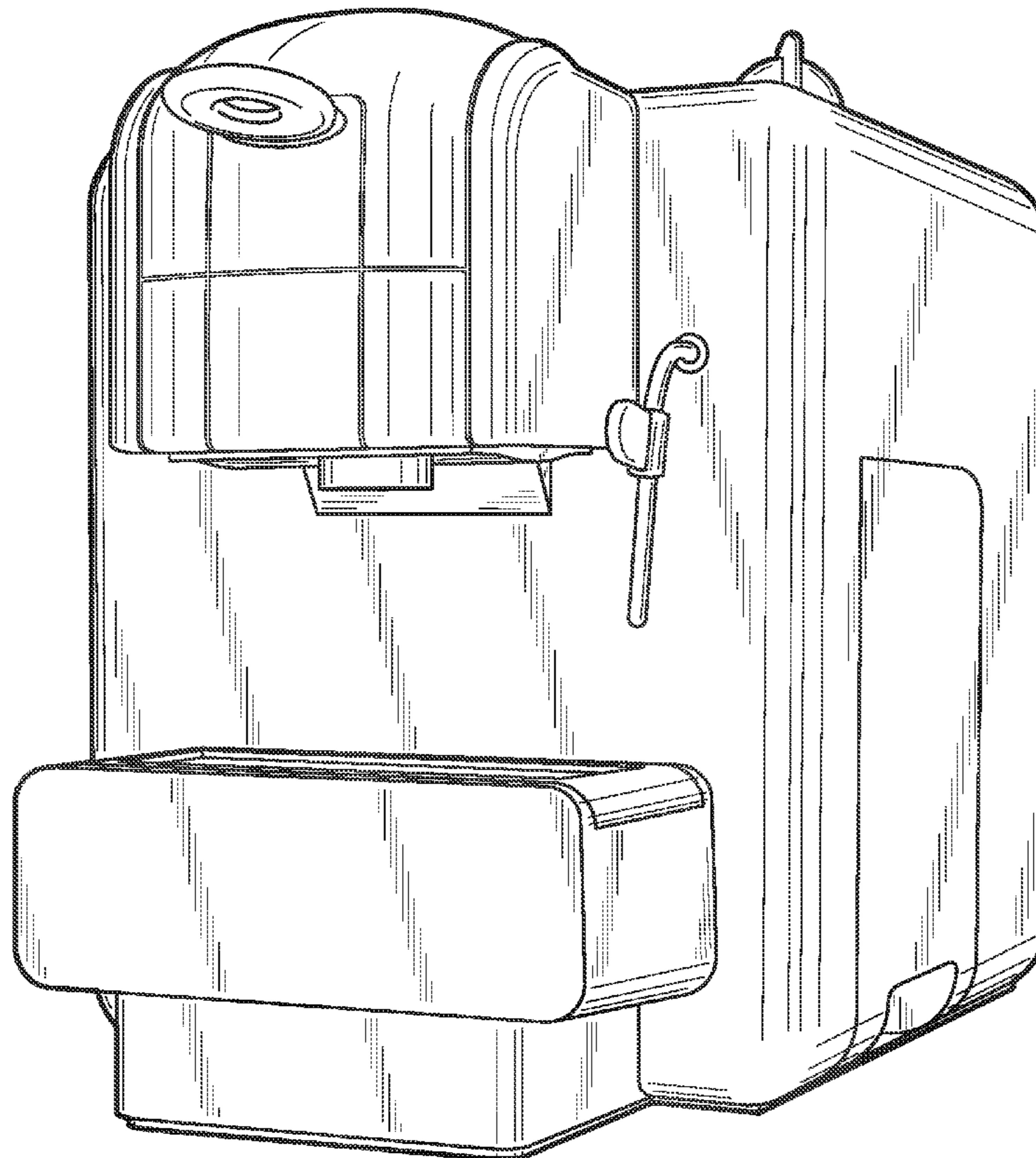
FIG. 4 is a right side view thereof;

FIG. 5 is a top view thereof; and,

FIG. 6 is a bottom view thereof.

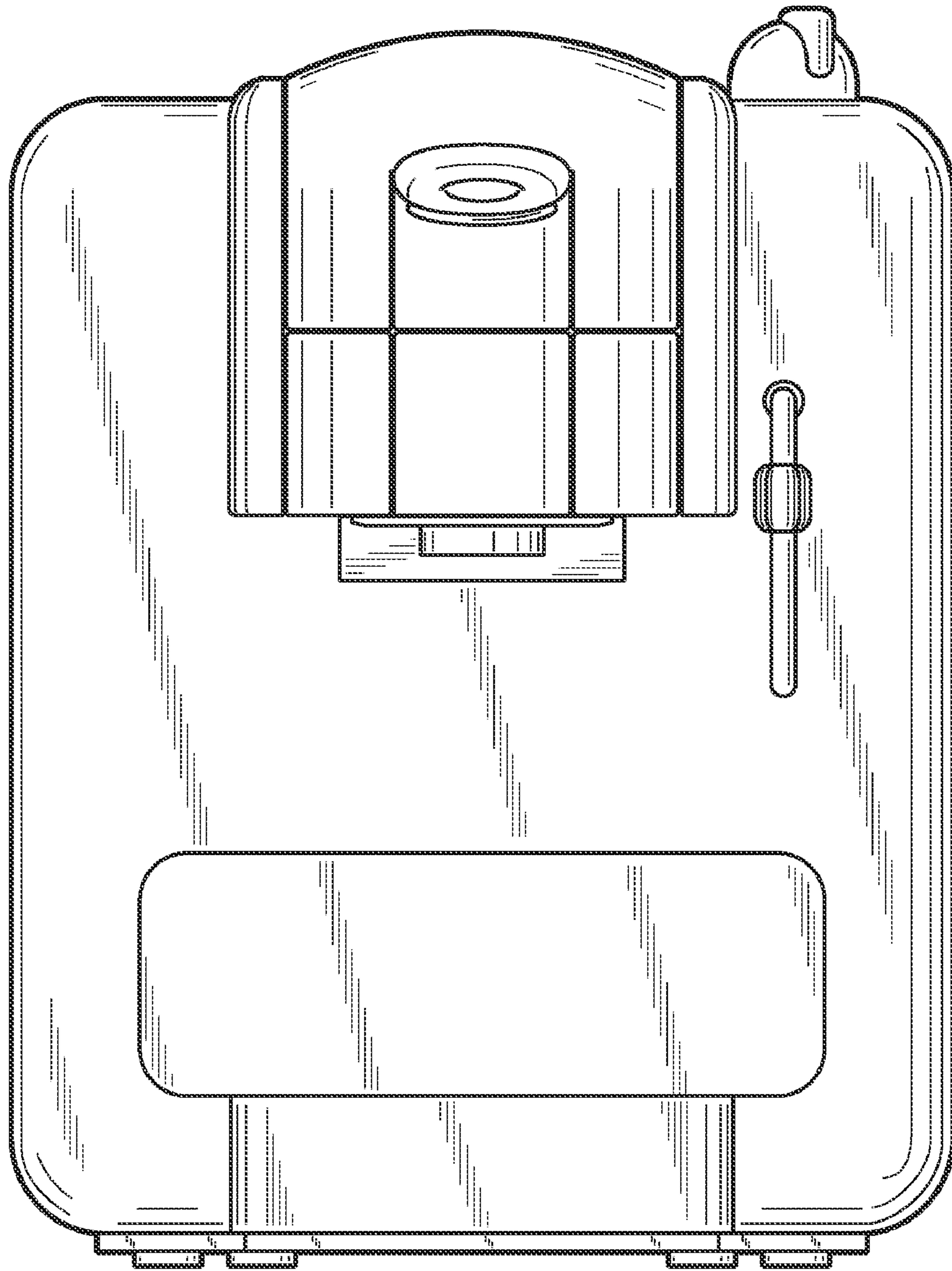
A back view of coffee machine is omitted as the back is flat and unornamented.

**1 Claim, 6 Drawing Sheets**





**FIG. 1**



**FIG. 2**

FIG. 3

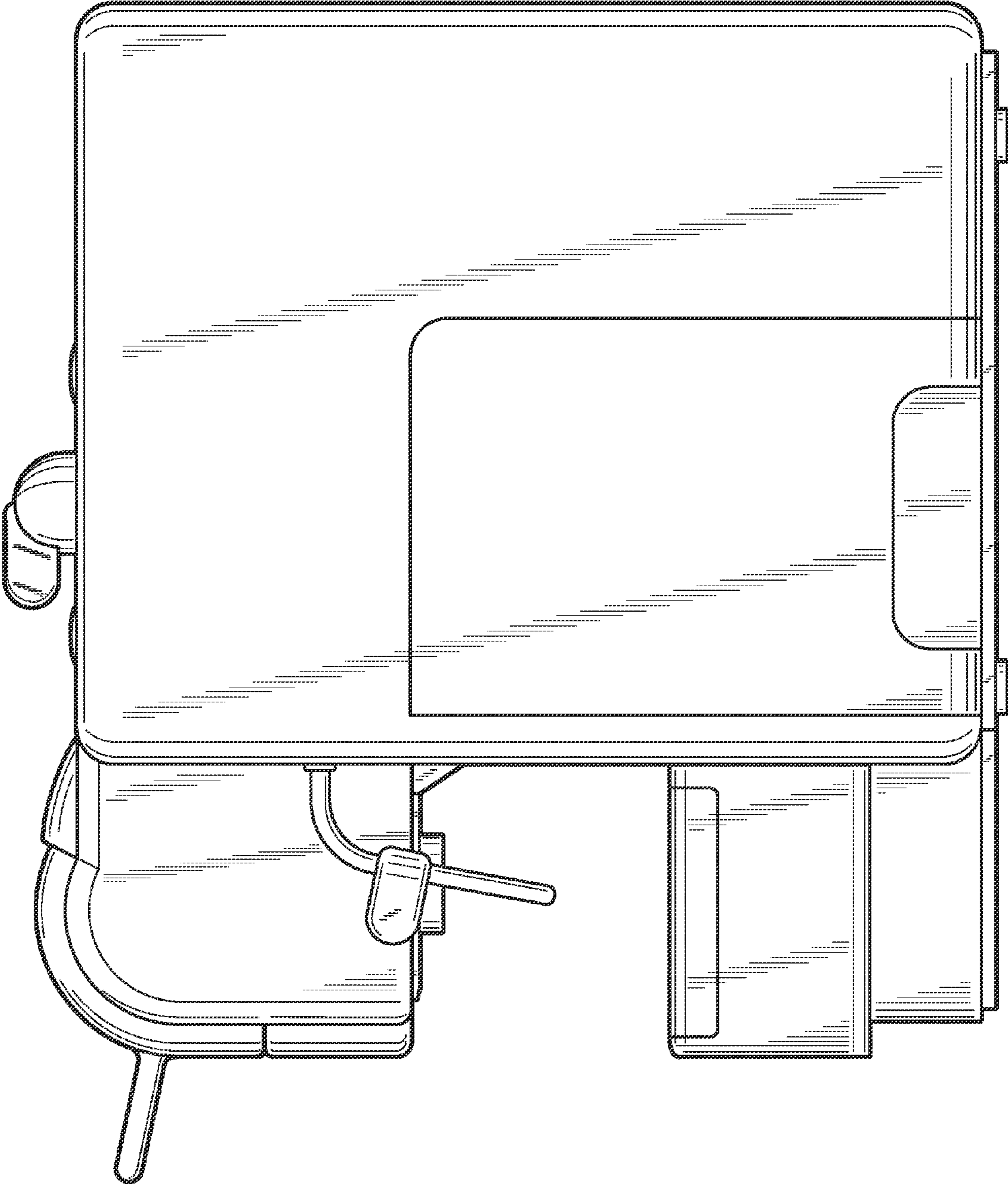
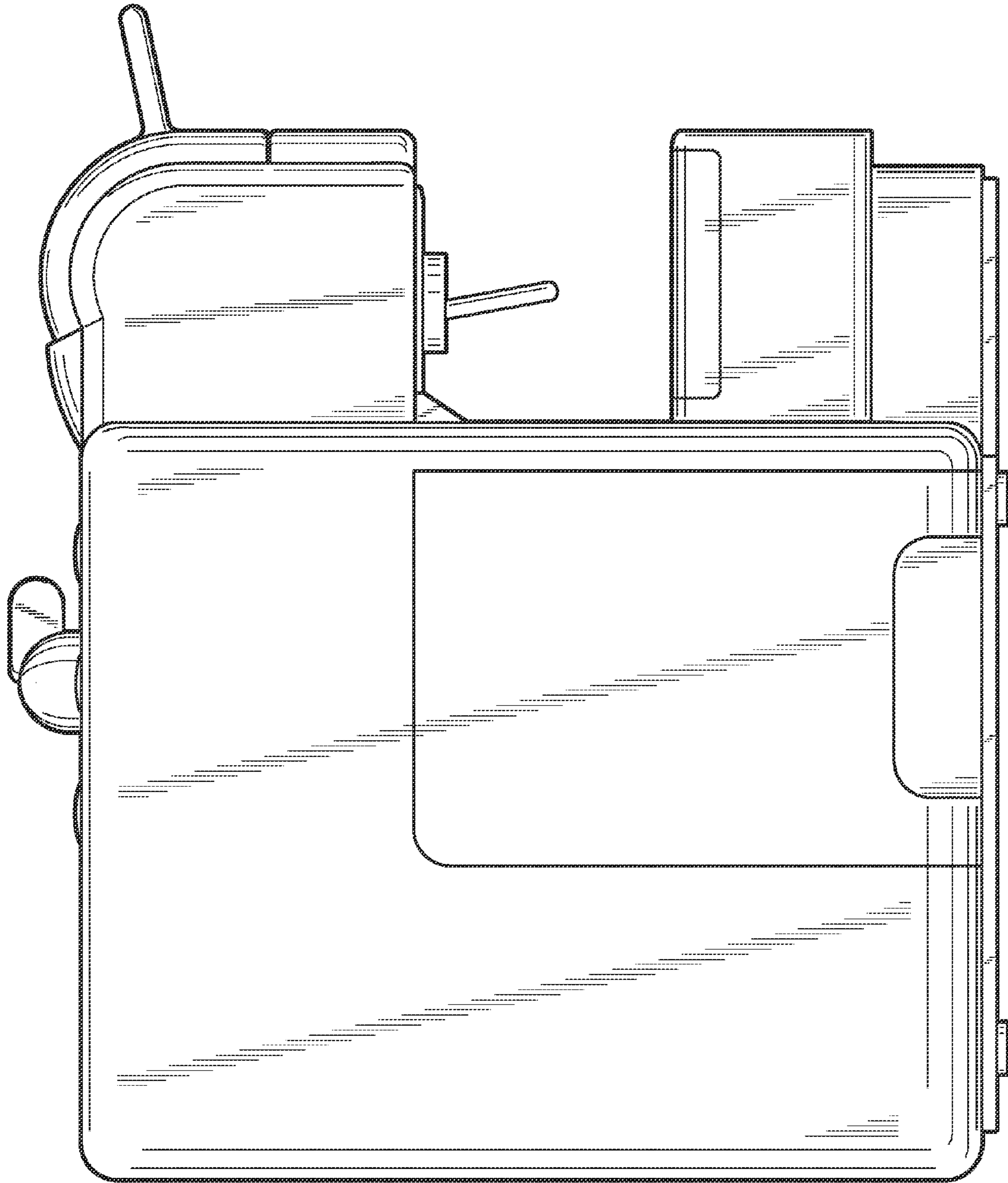
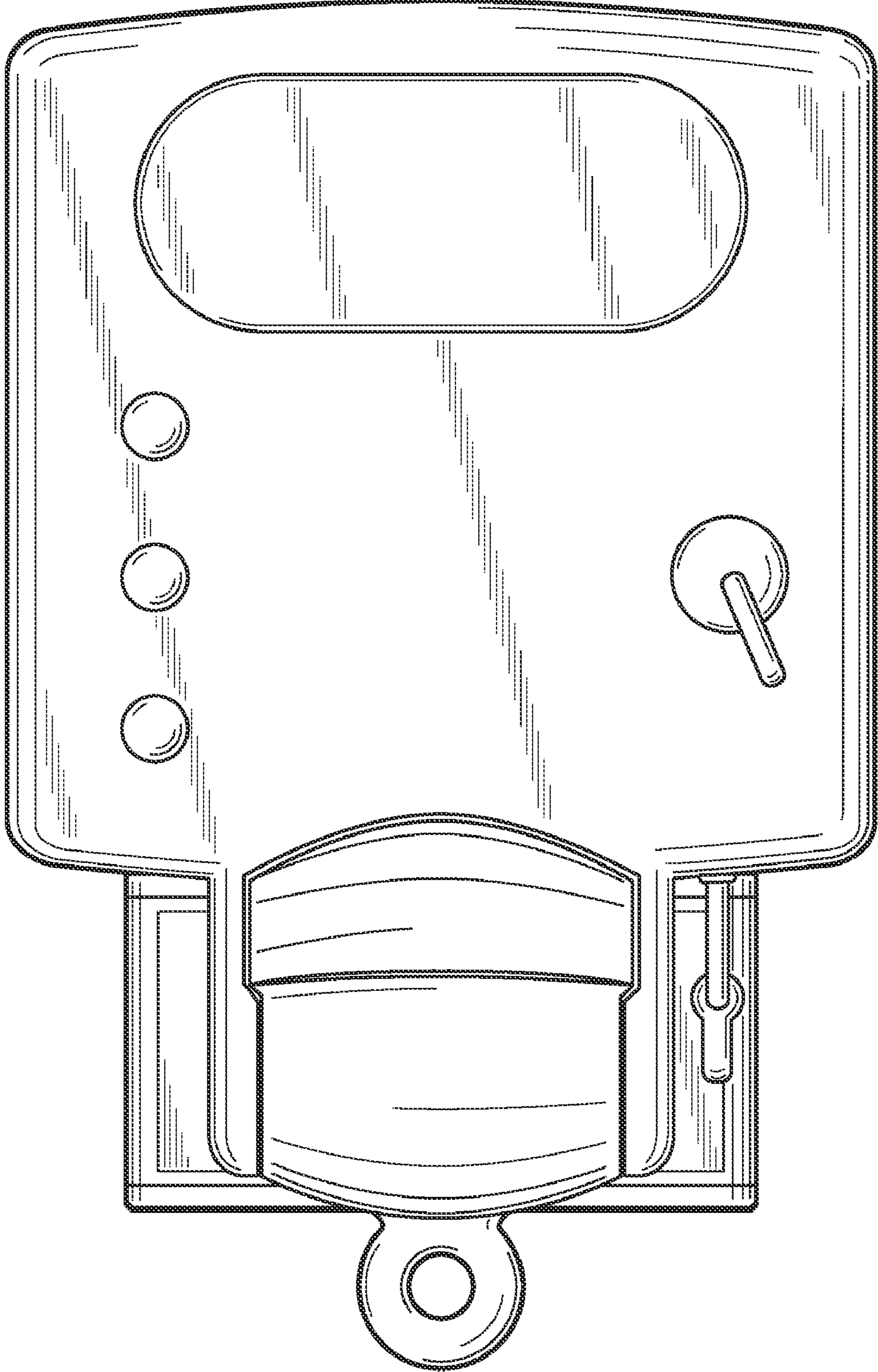
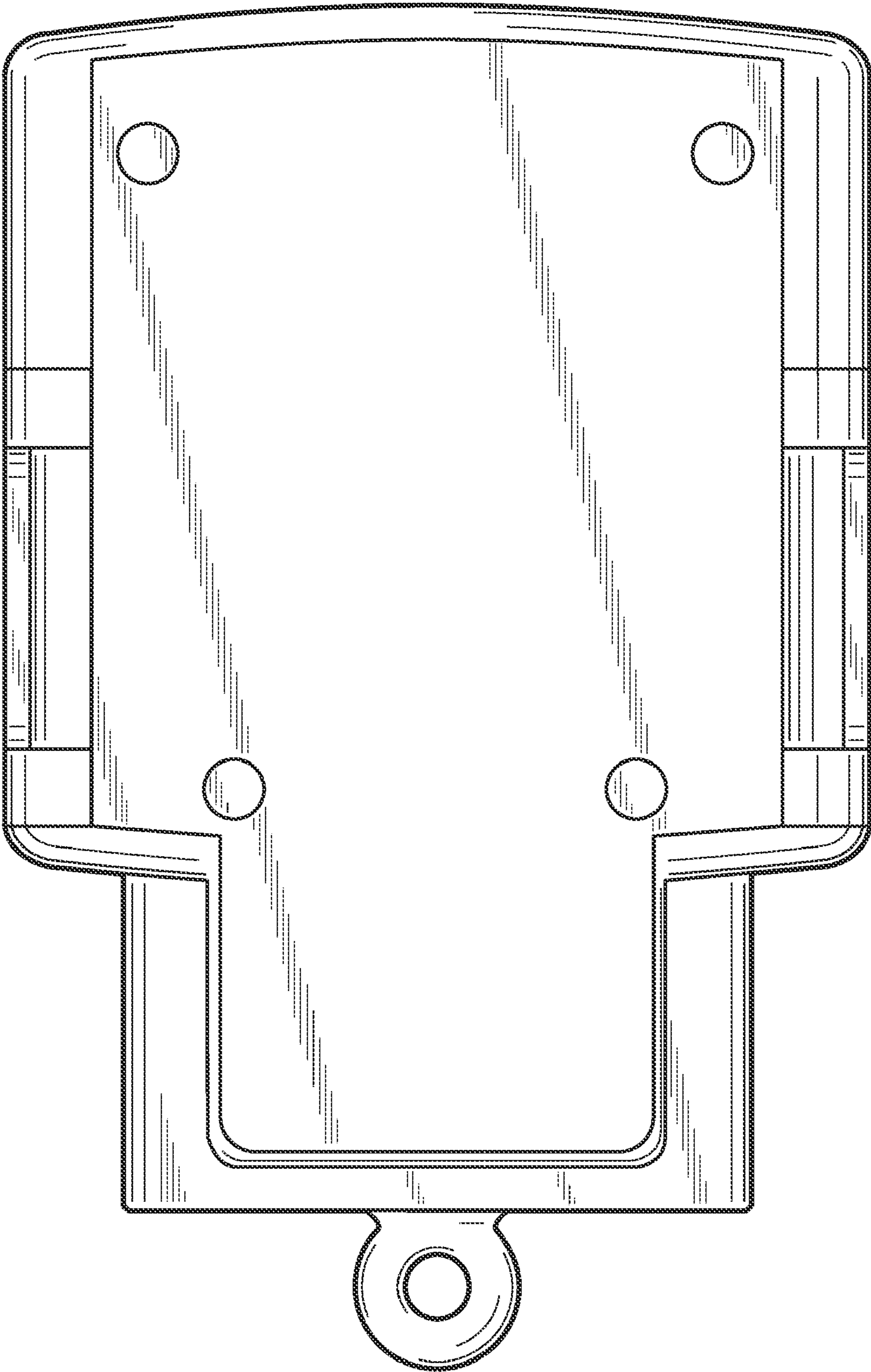


FIG. 4





**FIG. 5**



**FIG. 6**