



US00D630880S

(12) **United States Design Patent**  
**Zimmermann**

(10) **Patent No.:** **US D630,880 S**

(45) **Date of Patent:** **\*\* Jan. 18, 2011**

(54) **COFFEE MACHINE**

(75) Inventor: **Dirk Hagen Zimmermann**, Düsseldorf (DE)

(73) Assignee: **Wik Far East Ltd.**, North Point, Hong Kong (CN)

(\*\*) Term: **14 Years**

(21) Appl. No.: **29/358,732**

(22) Filed: **Mar. 31, 2010**

(30) **Foreign Application Priority Data**

Oct. 7, 2009 (DE) ..... 40 2009 004 817

(51) **LOC (9) Cl.** ..... **07-01**

(52) **U.S. Cl.** ..... **D7/309; D7/311**

(58) **Field of Classification Search** ..... D7/306-311,  
D7/300; 99/295, 279

See application file for complete search history.

(56) **References Cited**

**U.S. PATENT DOCUMENTS**

4,644,856 A	2/1987	Borgmann	
D355,562 S	2/1995	DeFelip	
D360,555 S	7/1995	Gil De Miguel	
D385,455 S	10/1997	Cortese	
D390,060 S	2/1998	Seiffert	
D449,198 S	10/2001	Cahen	
D535,513 S *	1/2007	Zimmermann	D7/309
D540,608 S *	4/2007	Cahen	D7/309
D552,915 S	10/2007	Yeh	
D555,412 S *	11/2007	Van Elk et al.	D7/309
D556,496 S *	12/2007	Fung	D7/309
D595,991 S	7/2009	Zimmermann	
D600,062 S *	9/2009	Lavy	D7/309
D613,107 S *	4/2010	Hausner et al.	D7/306

**OTHER PUBLICATIONS**

U.S. Appl. No. 29/359,126, filed Apr. 6, 2010; First Named Inventor: Dirk Hagen Zimmermann.

\* cited by examiner

*Primary Examiner*—Marianne Pandozzi

(74) *Attorney, Agent, or Firm*—Margaret Polson; Oppedahl Patent Law Firm LLC

(57) **CLAIM**

The ornamental design for a coffee machine, as shown and described.

**DESCRIPTION**

FIG. 1 is a front perspective view of my new design for a coffee machine.

FIG. 2 is a front side elevation view

FIG. 3 is a back side elevation view of FIG. 1.

FIG. 4 is a right side elevation view of FIG. 1.

FIG. 5 is a left side elevation view of FIG. 1.

FIG. 6 is a top side plan view of FIG. 1.

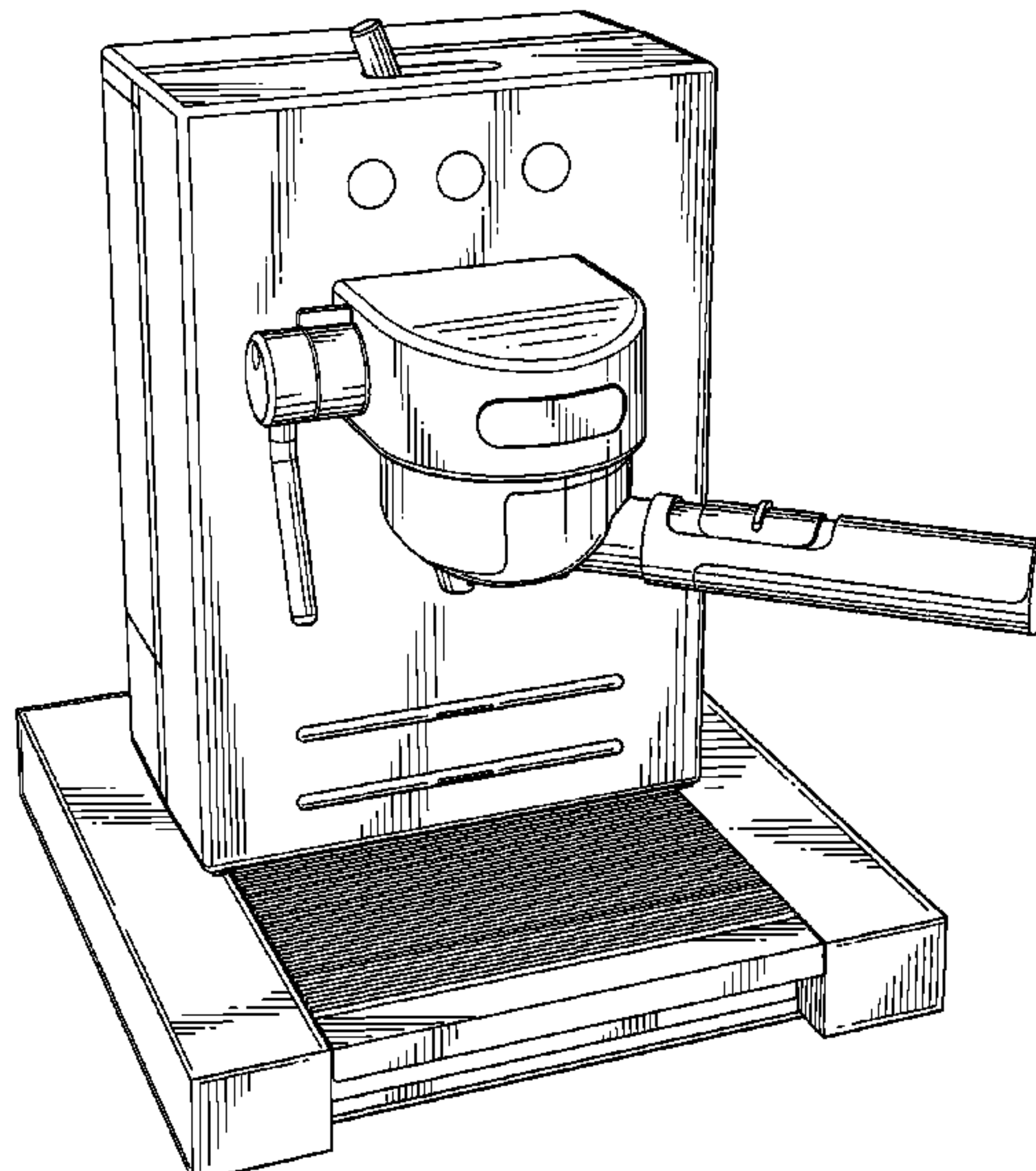
FIG. 7 is a bottom side plan view of FIG. 1.

FIG. 8 is a front perspective view of a second embodiment of FIG. 1, the only difference being the trays are movable, with the bottom tray fully retracted, it being understood that all other surfaces are the same as those of the first embodiment.

FIG. 9 is a front perspective view of FIG. 8, where the top tray is fully extended and the bottom tray is partially retracted, it being understood that all other surfaces are the same as those of the first embodiment; and,

FIG. 10 is a front perspective view of FIG. 8, where the middle tray is fully extended and the bottom tray is fully retracted, it being understood that all other surfaces are the same as those of the first embodiment.

**1 Claim, 7 Drawing Sheets**



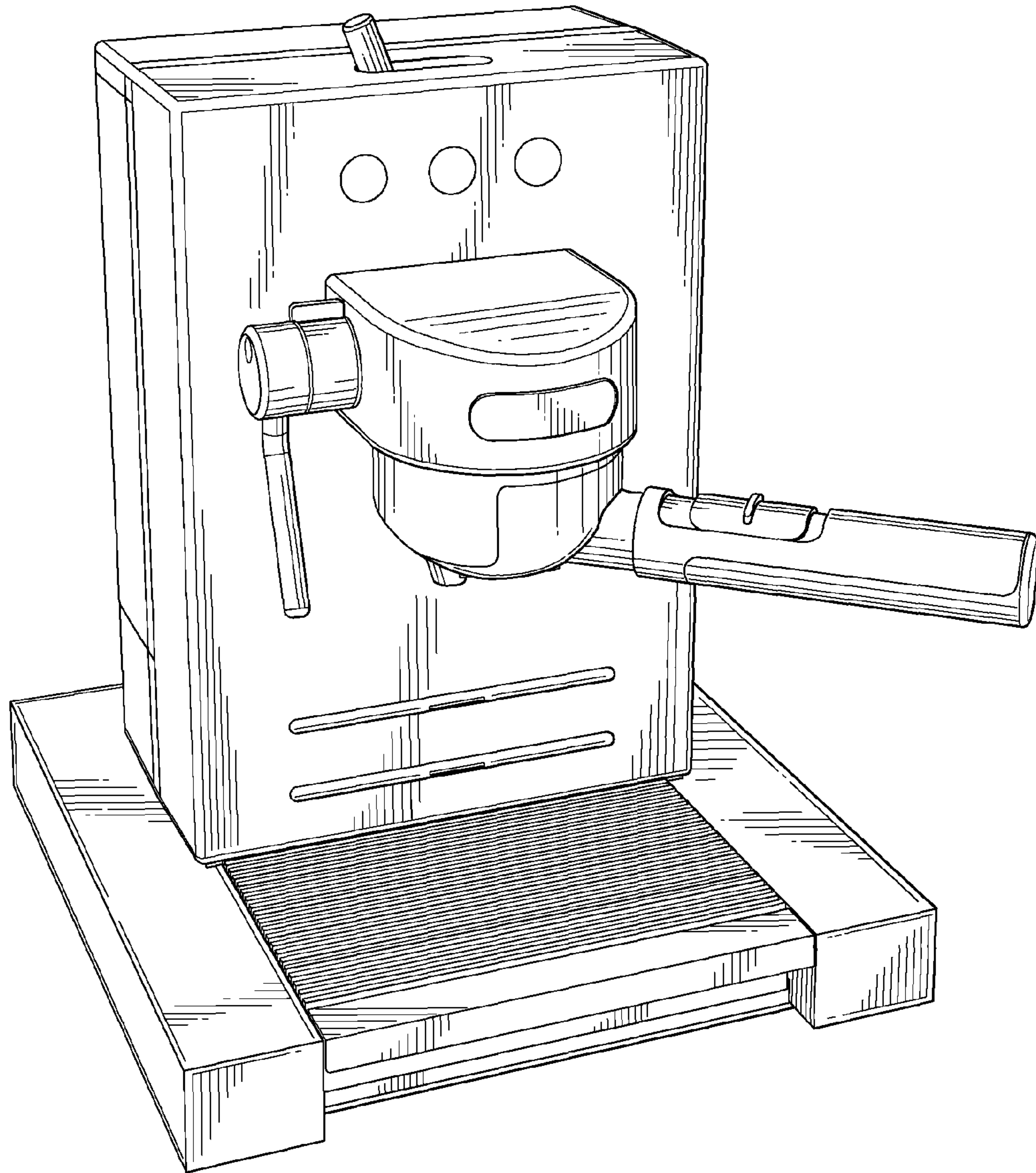


FIG. 1

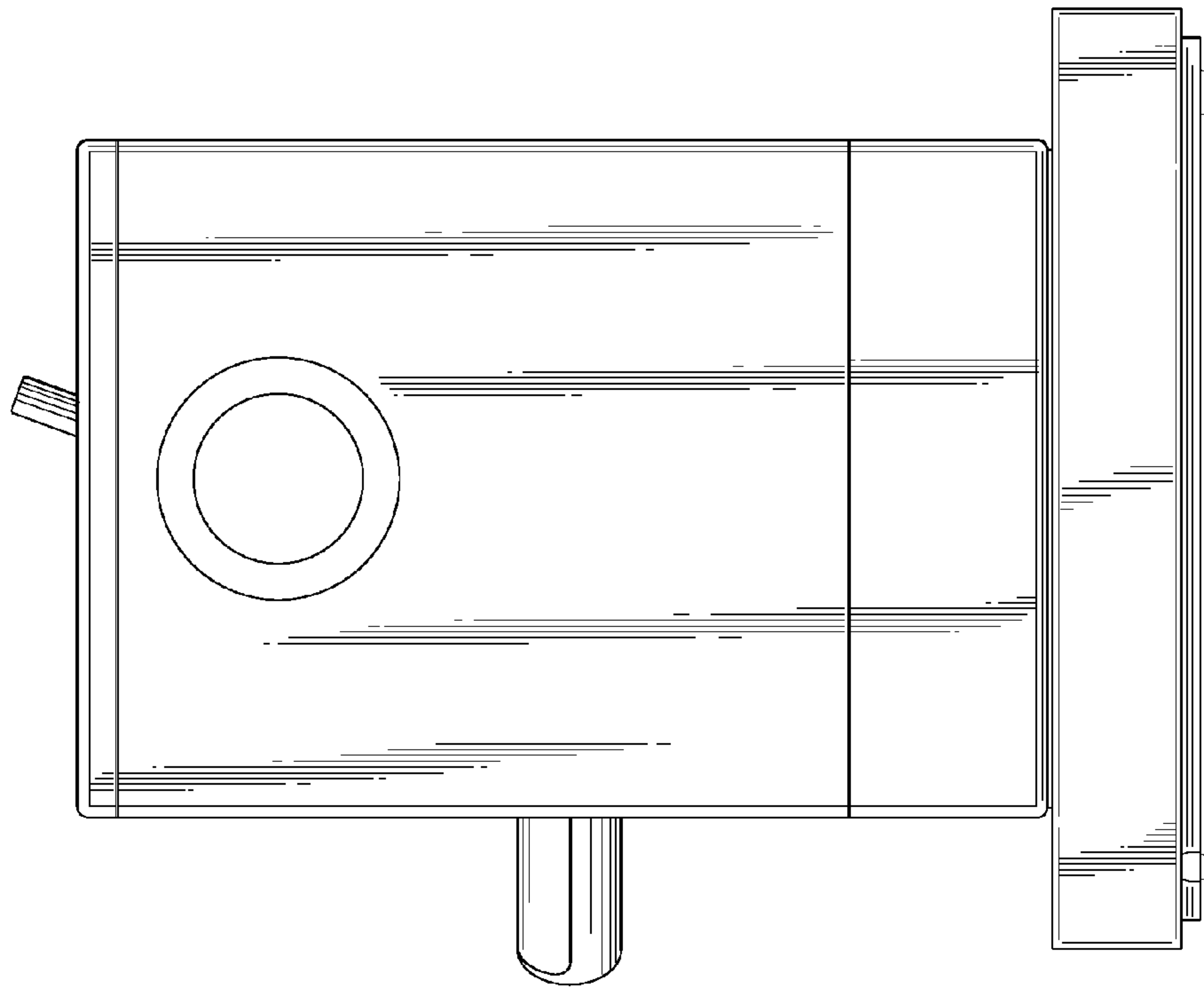


FIG.3

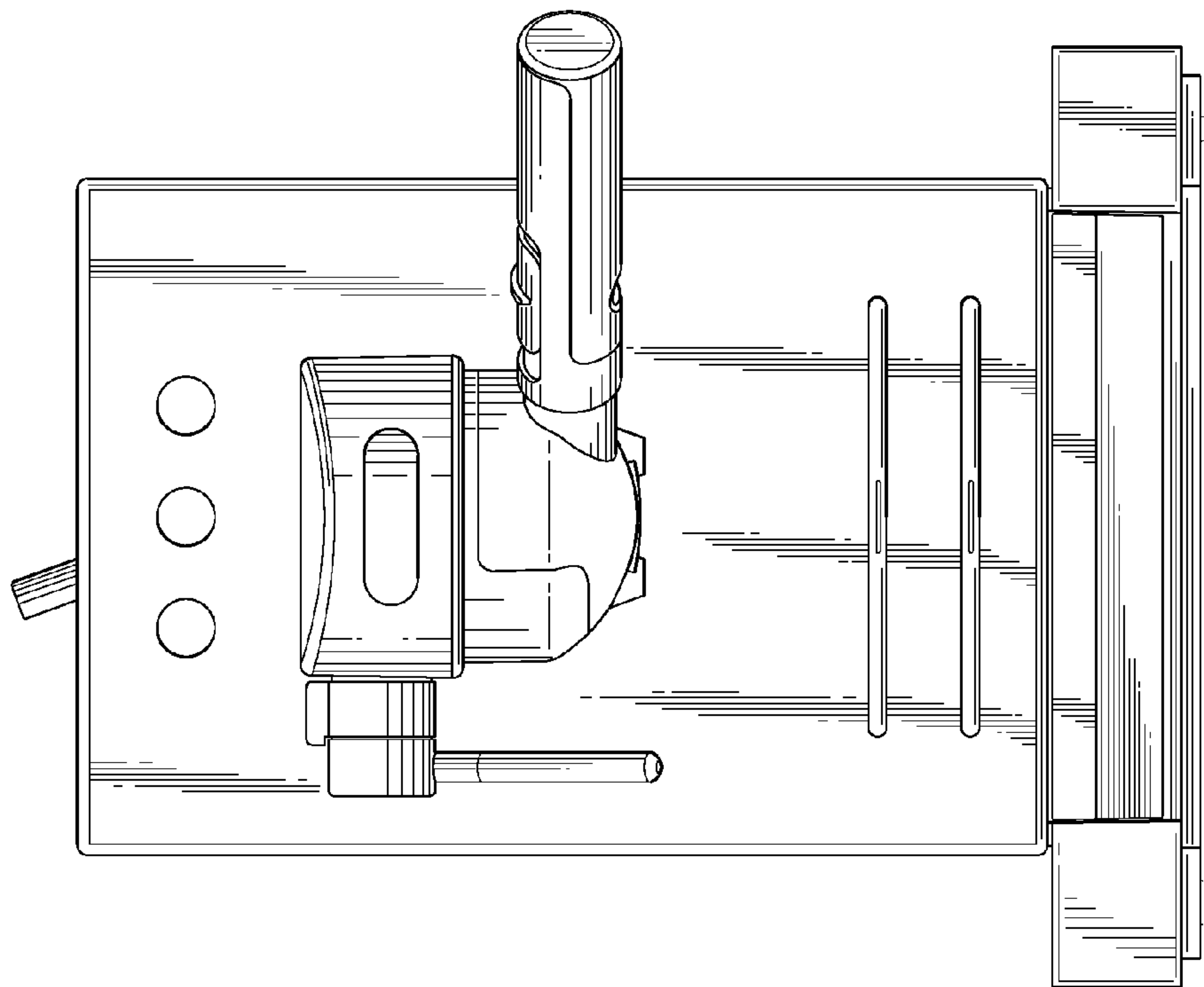


FIG.2

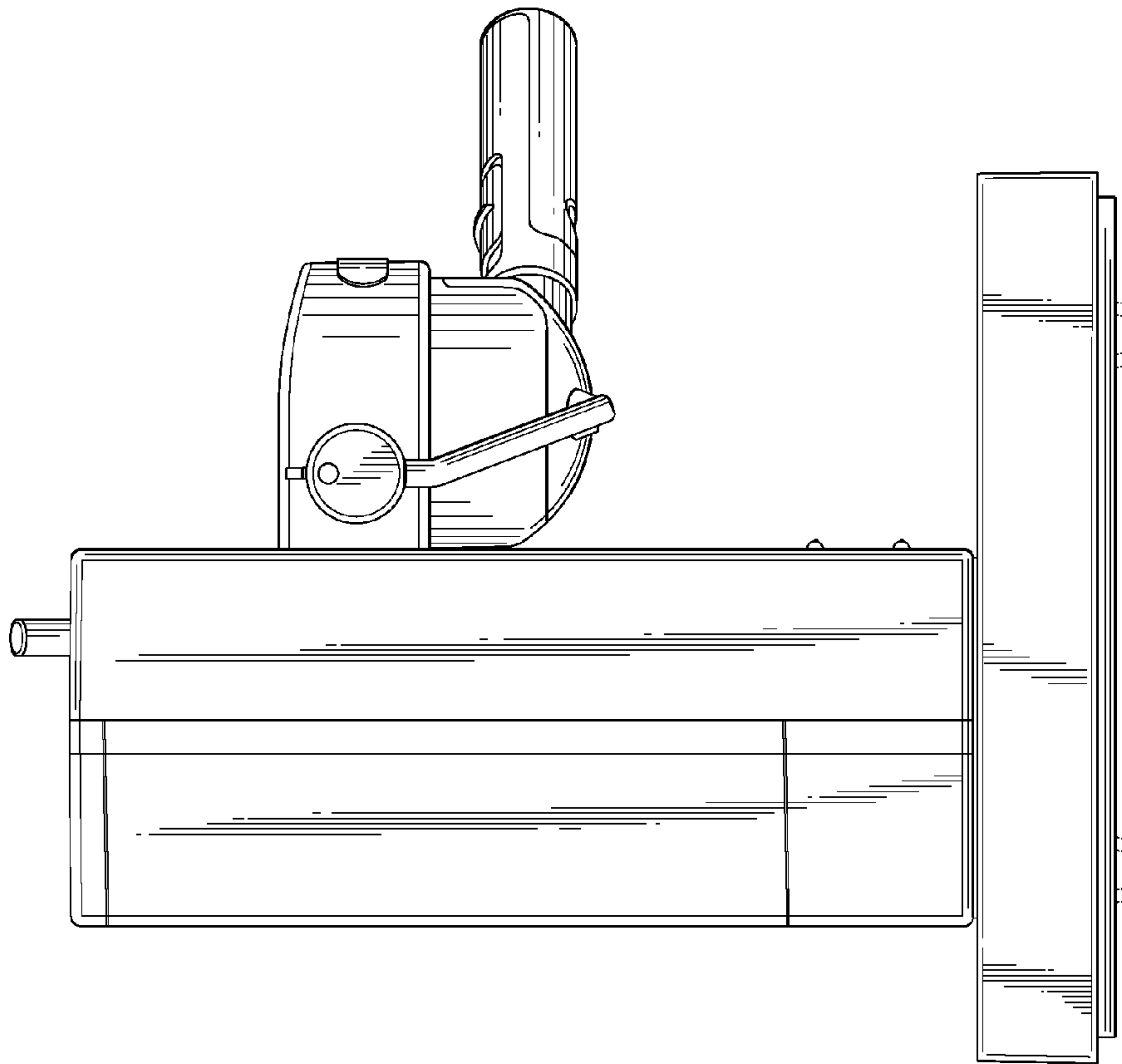


FIG.5

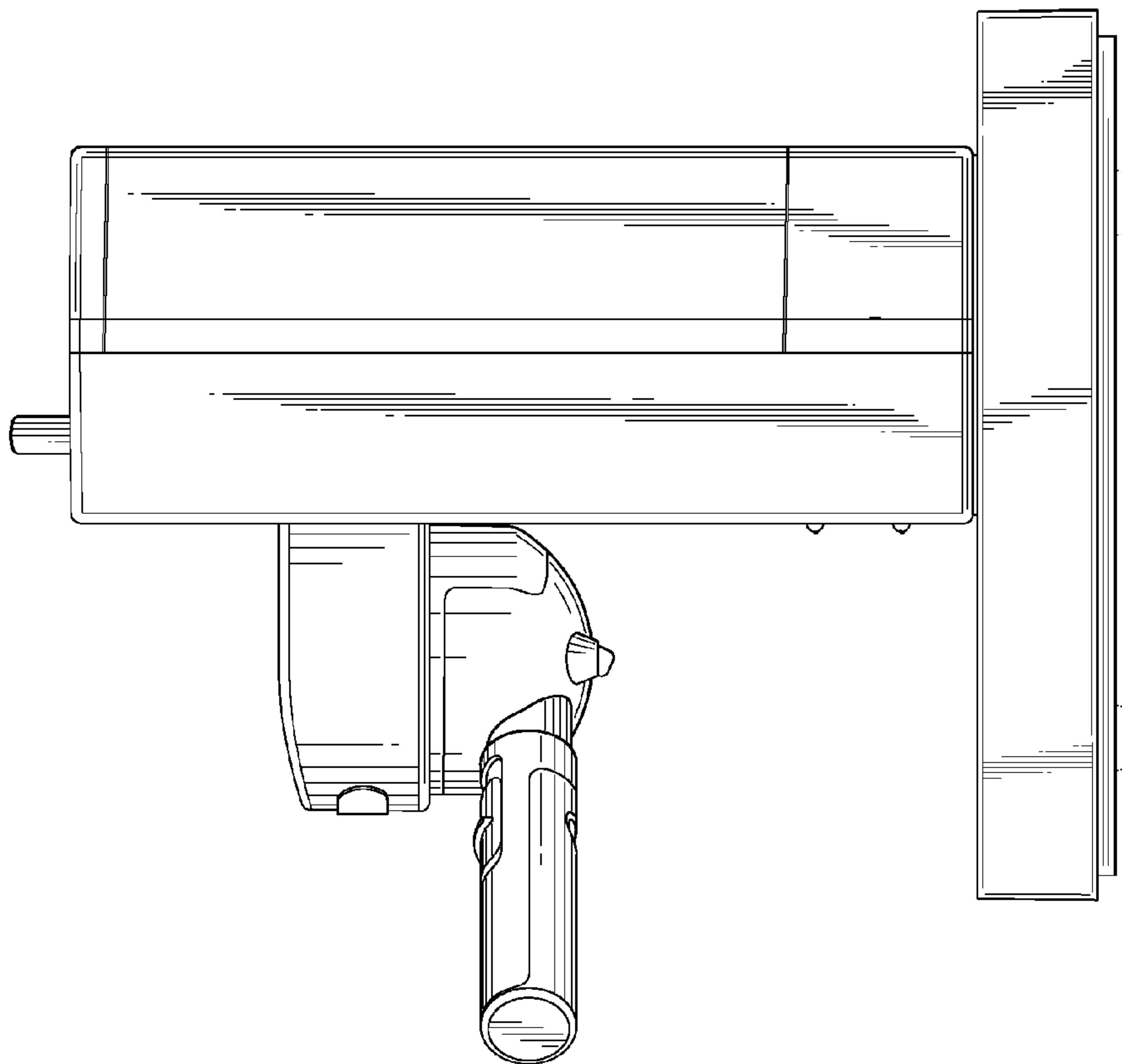


FIG.4

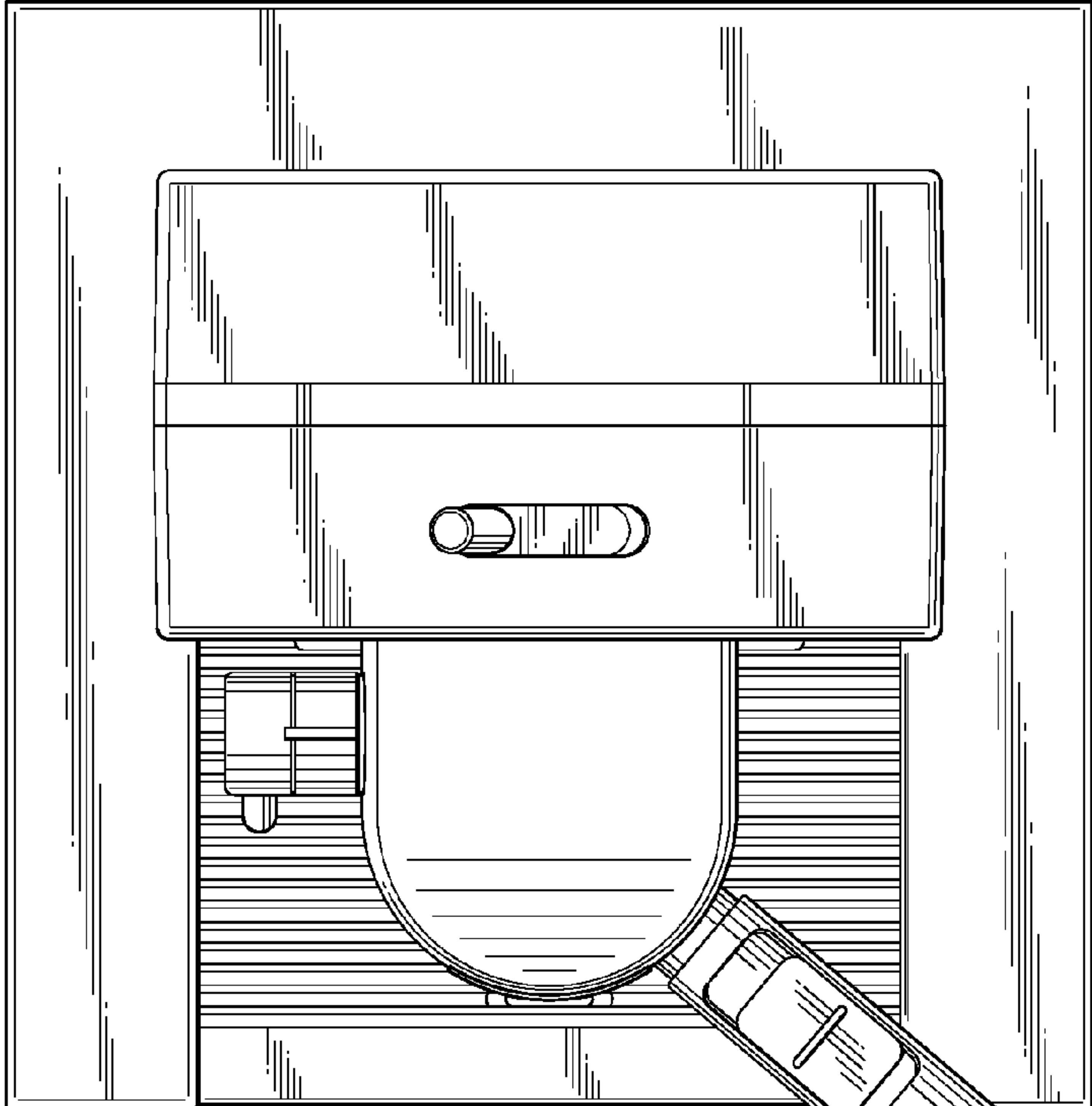


FIG. 6

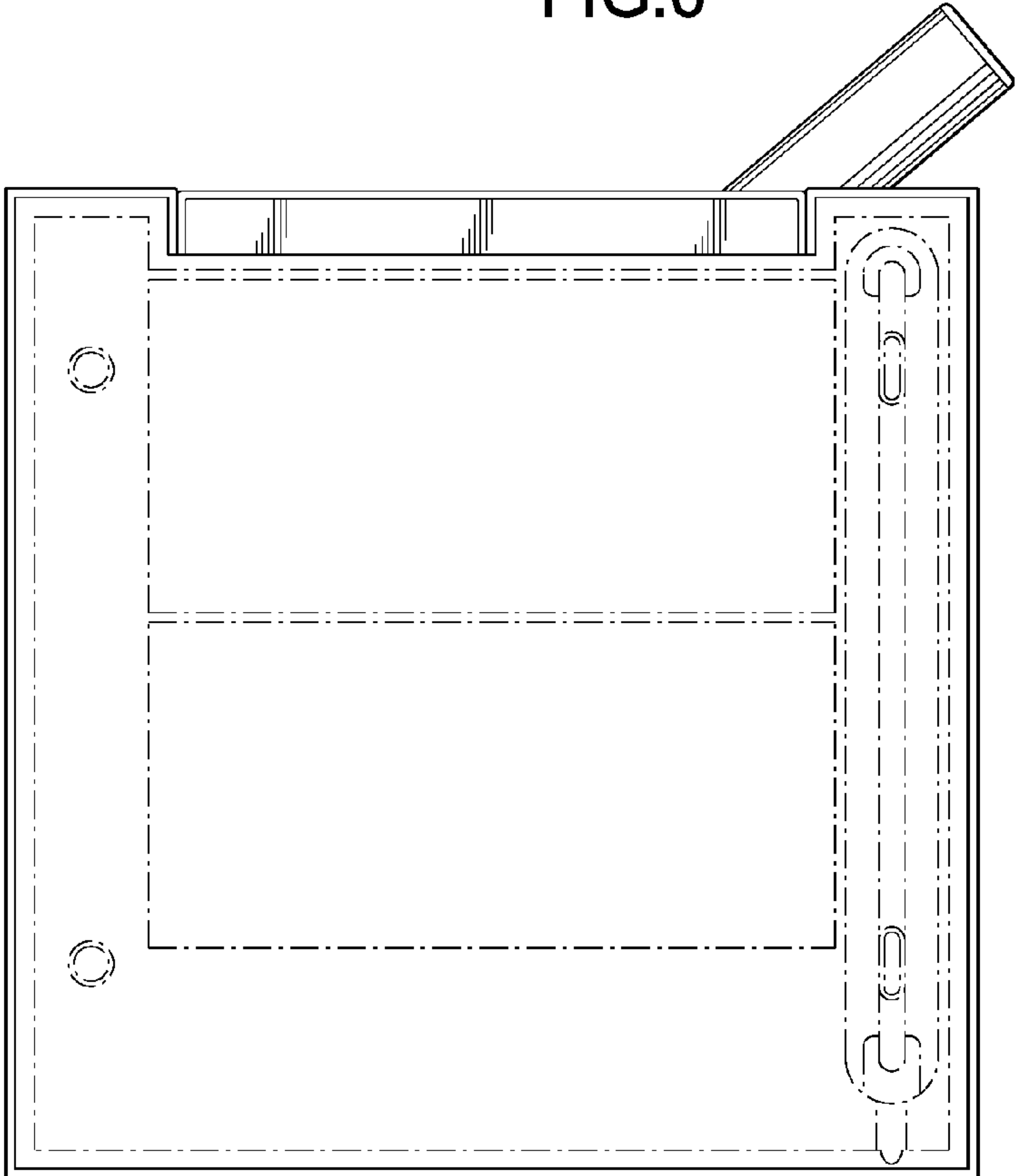


FIG. 7



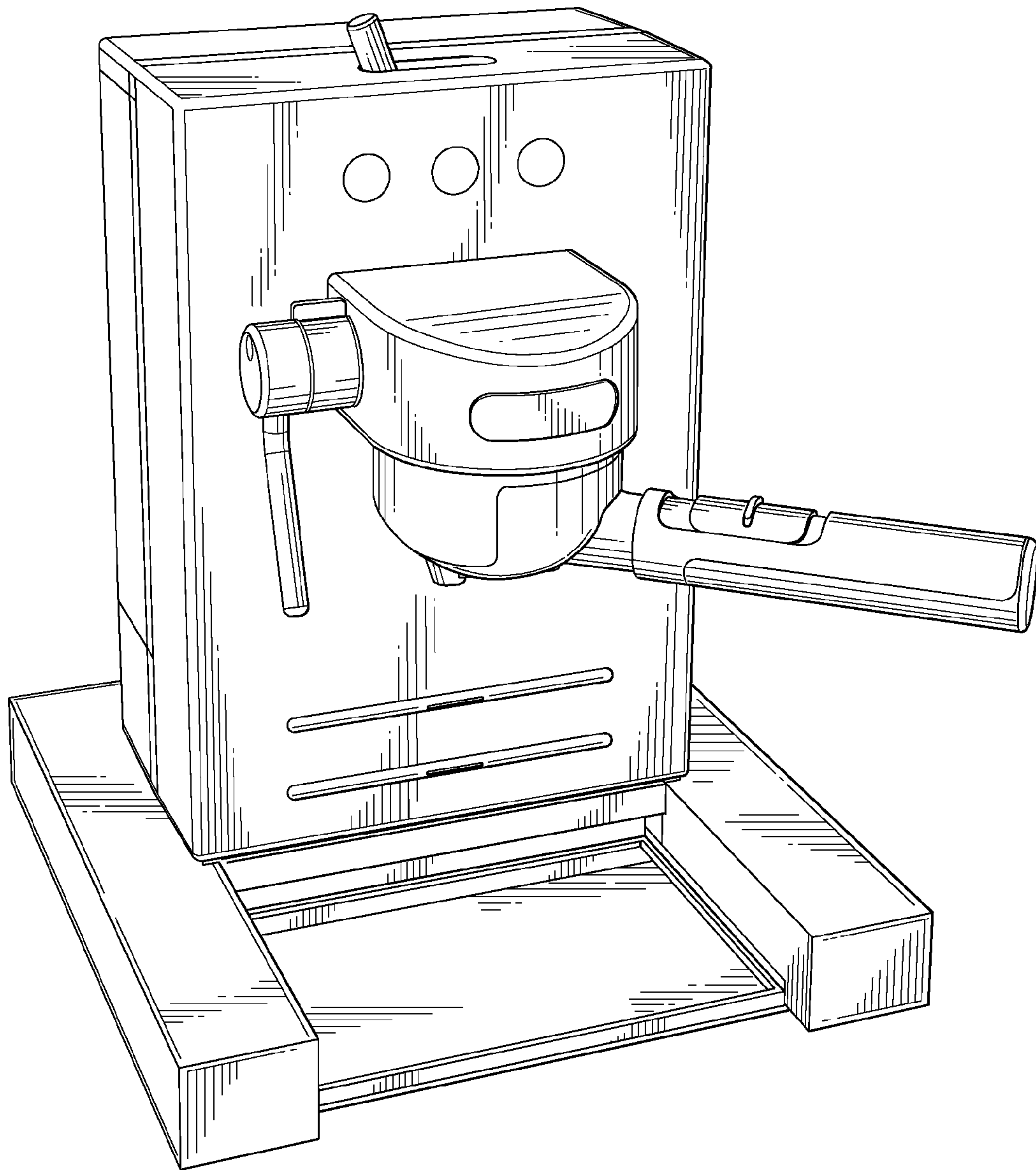


FIG.8

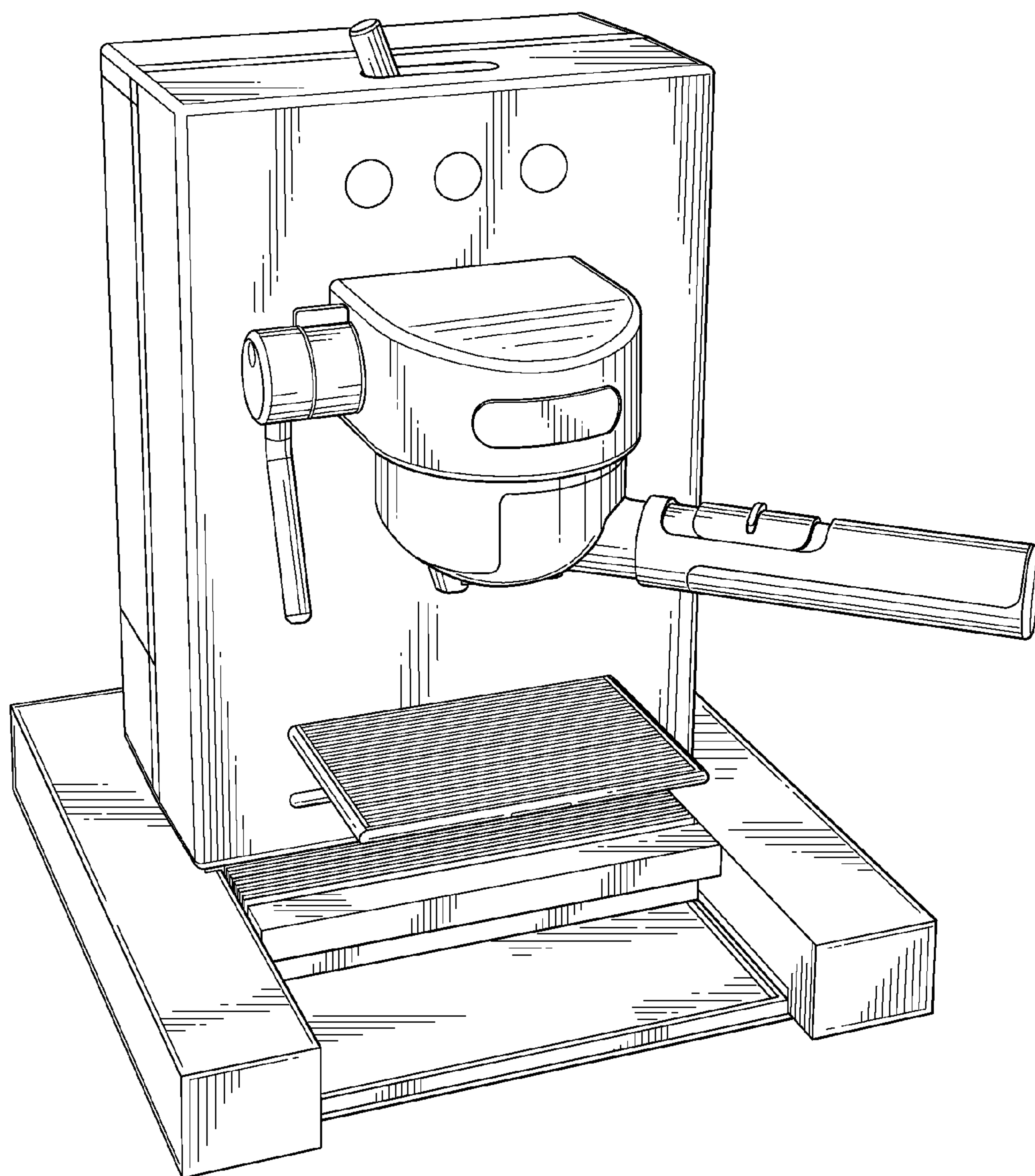


FIG.9

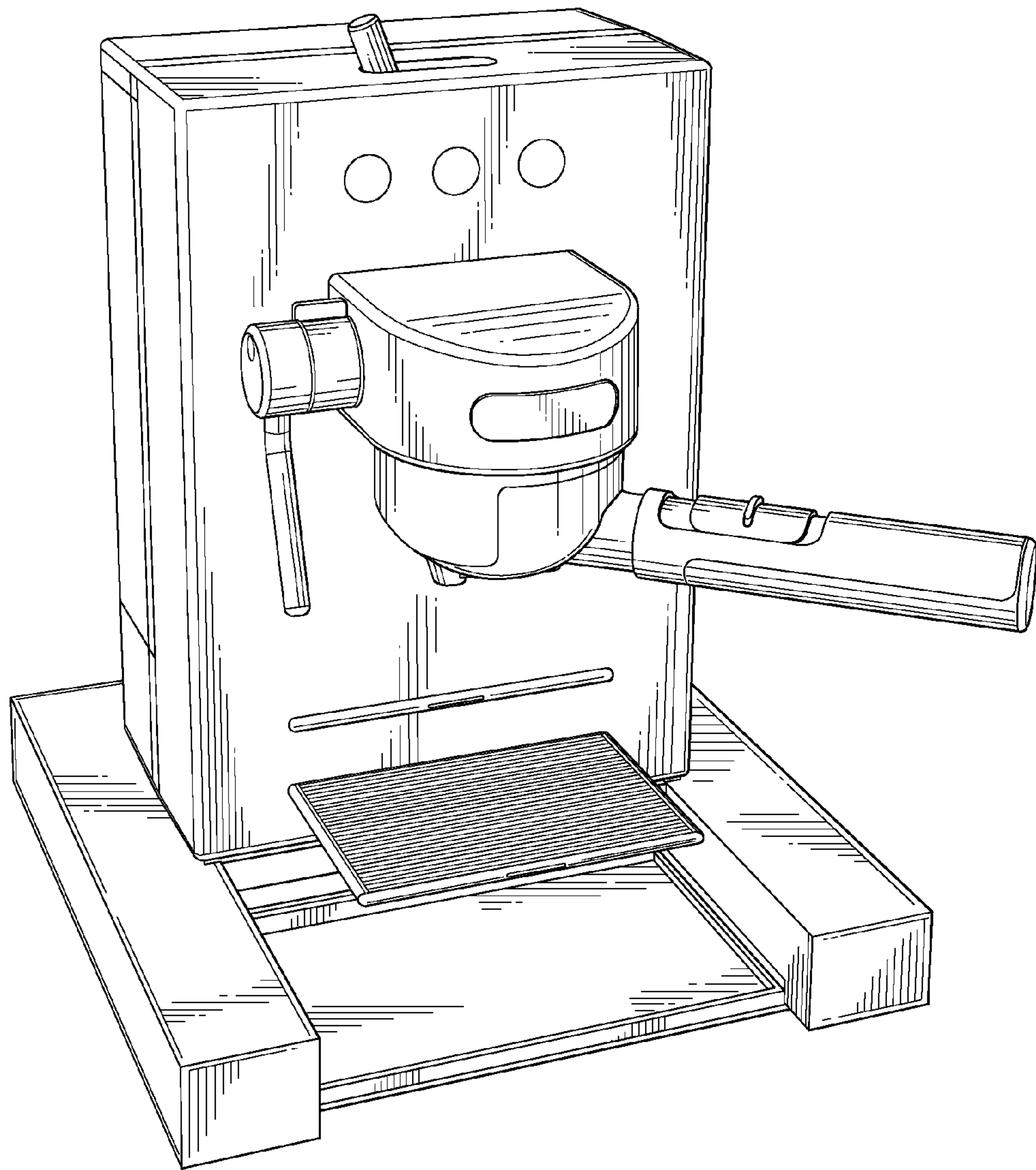


FIG.10