



US00D630879S

(12) **United States Design Patent**
Inui et al.

(10) **Patent No.:** **US D630,879 S**
(45) **Date of Patent:** **** Jan. 18, 2011**

(54) **ELECTRIC LAP ROBE**
(75) Inventors: **Hiromi Inui**, Osaka (JP); **Seiichi Kawakami**, Osaka (JP); **Shinji Oda**, Osaka (JP)
(73) Assignee: **Sanyo Electric Co., Ltd.**, Osaka (JP)
(**) Term: **14 Years**

Primary Examiner—Janice E Seeger
(74) *Attorney, Agent, or Firm*—Rabin & Berdo, PC

(21) Appl. No.: **29/347,326**

(22) Filed: **Dec. 7, 2009**

(30) **Foreign Application Priority Data**

Jul. 30, 2009 (JP) 2009-017425

(51) **LOC (9) Cl.** **06-09**

(52) **U.S. Cl.** **D6/603**

(58) **Field of Classification Search** D6/595,
D6/596, 601, 602, 603, 605; 5/482, 485,
5/488-491, 494-502, 907; 219/212

See application file for complete search history.

(56) **References Cited**

U.S. PATENT DOCUMENTS

2,530,003 A * 11/1950 Crowley 219/500
3,739,142 A * 6/1973 Johns 219/212
D551,891 S * 10/2007 Kaiser et al. D6/603
D589,735 S * 4/2009 Kaiser et al. D6/602
2005/0016982 A1* 1/2005 Campf et al. 219/212
2010/0089898 A1* 4/2010 Lee 219/212

* cited by examiner

(57) **CLAIM**

The ornamental design for an electric lap robe, as shown and described.

DESCRIPTION

FIG. 1 is a front elevation view of an electric lap robe showing our new design;

FIG. 2 is a rear elevation view thereof;

FIG. 3 is a right side view thereof;

FIG. 4 is a left side view thereof;

FIG. 5 is a top plan view thereof;

FIG. 6 is a bottom plan view thereof;

FIG. 7 is a referential rear elevation view thereof showing a state with a flap being turn over;

FIG. 8 is a referential view thereof showing a state with a controller being connected and bound by the flap; and,

FIG. 9 is a referential view thereof showing a state folded and fastened by a band.

The broken lines shown in FIG. 4 are for environmental purposes only and form no part of the claimed invention, and the controller and code thereof in FIG. 8 shown in broken lines and the band in FIG. 9 shown in broken lines form no part of the claimed design.

1 Claim, 4 Drawing Sheets

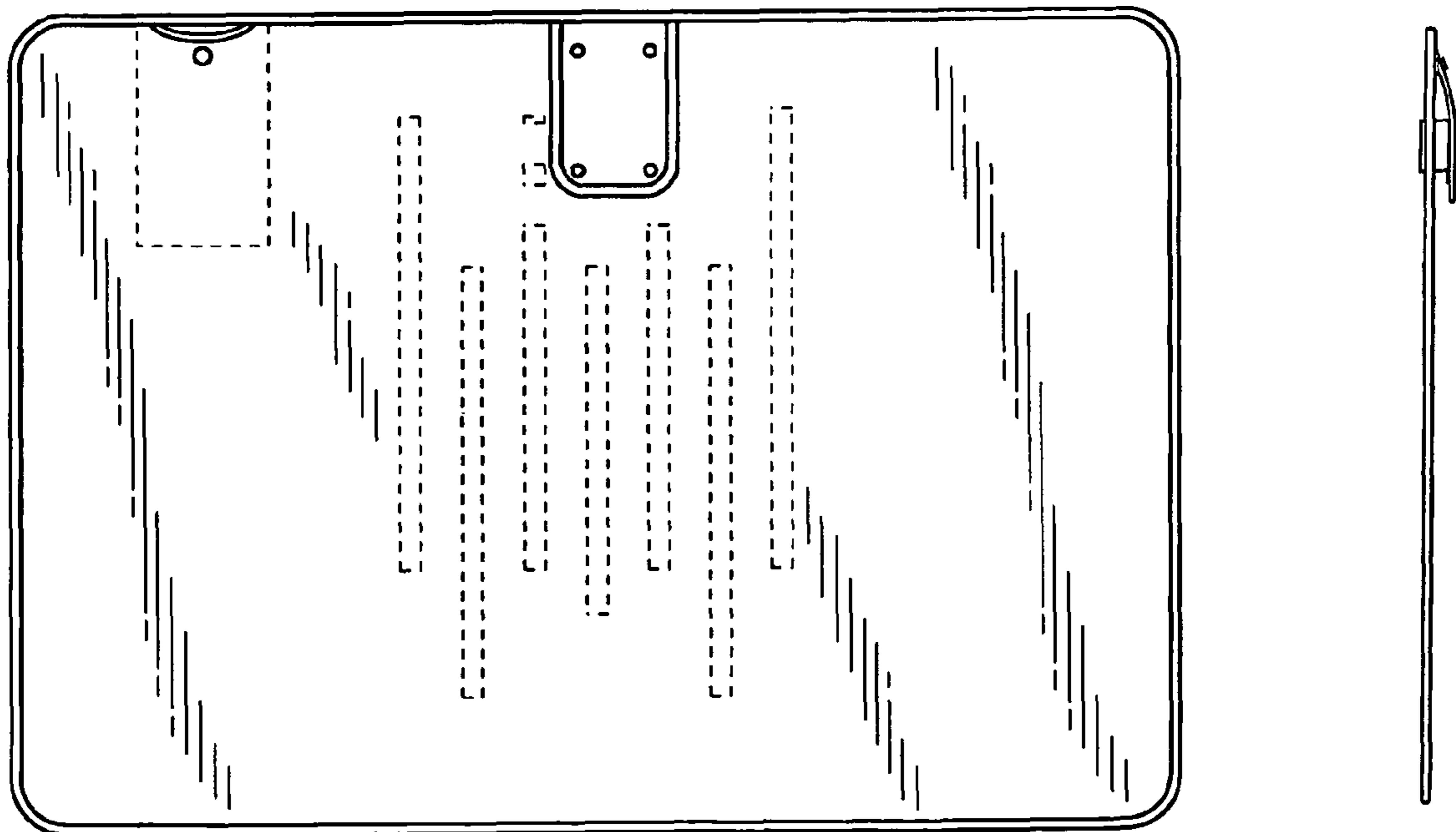


FIG. 1

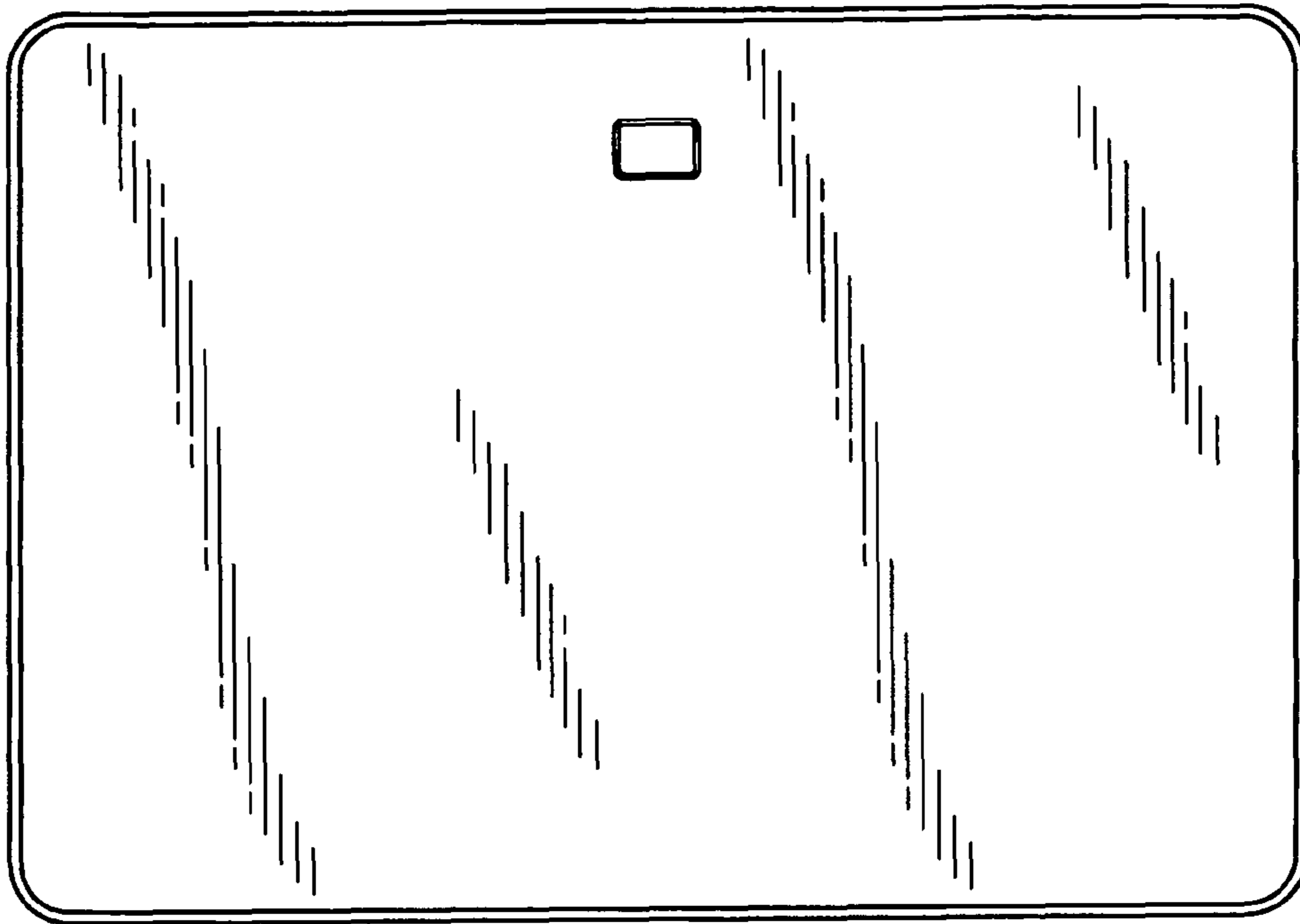


FIG. 2

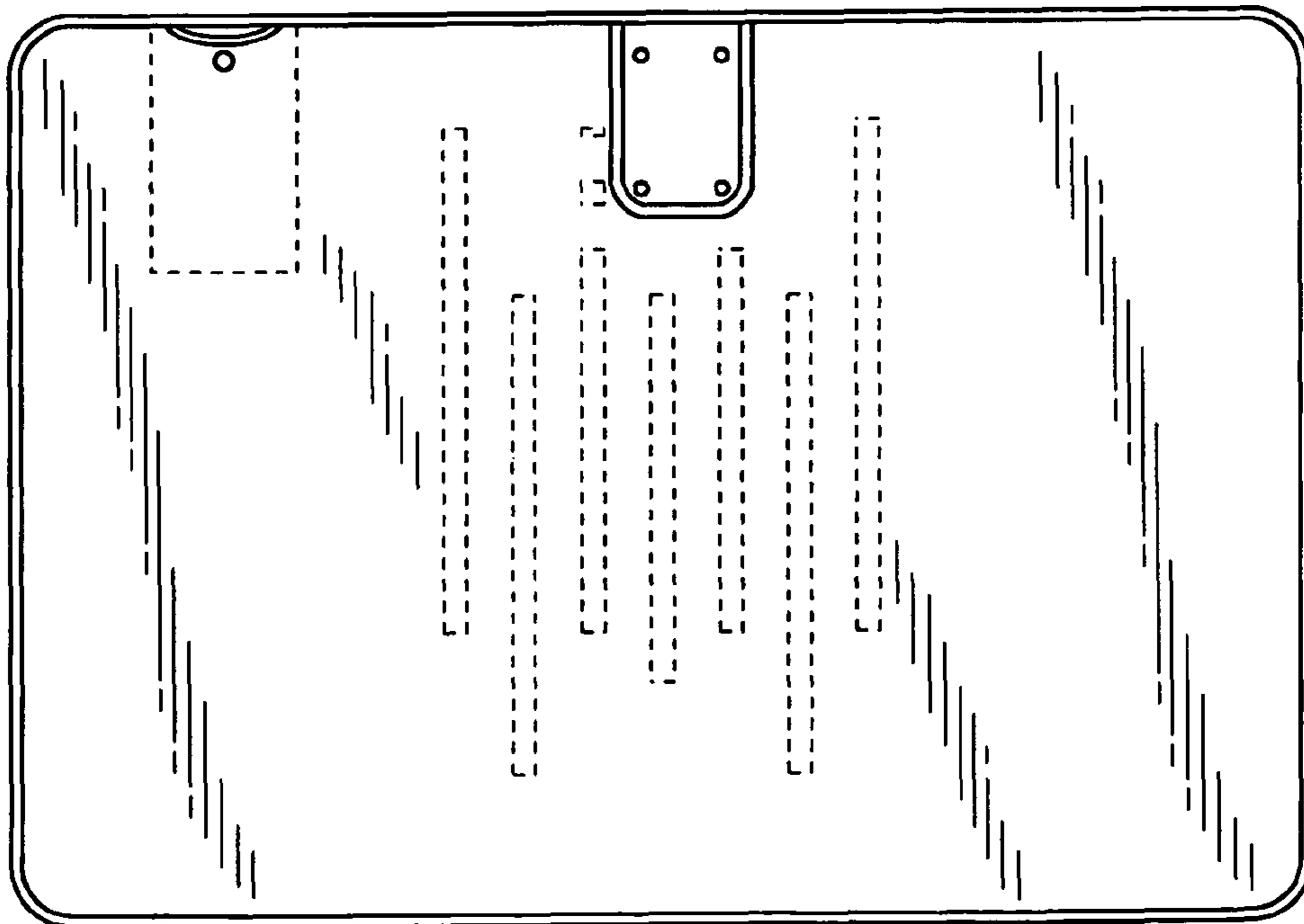


FIG. 3



FIG. 4



FIG. 5



FIG. 6

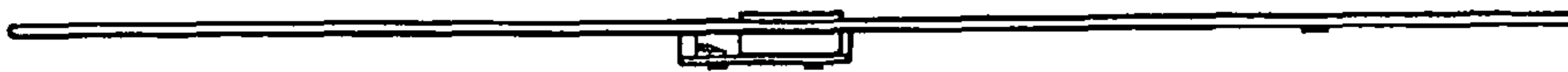


FIG. 7

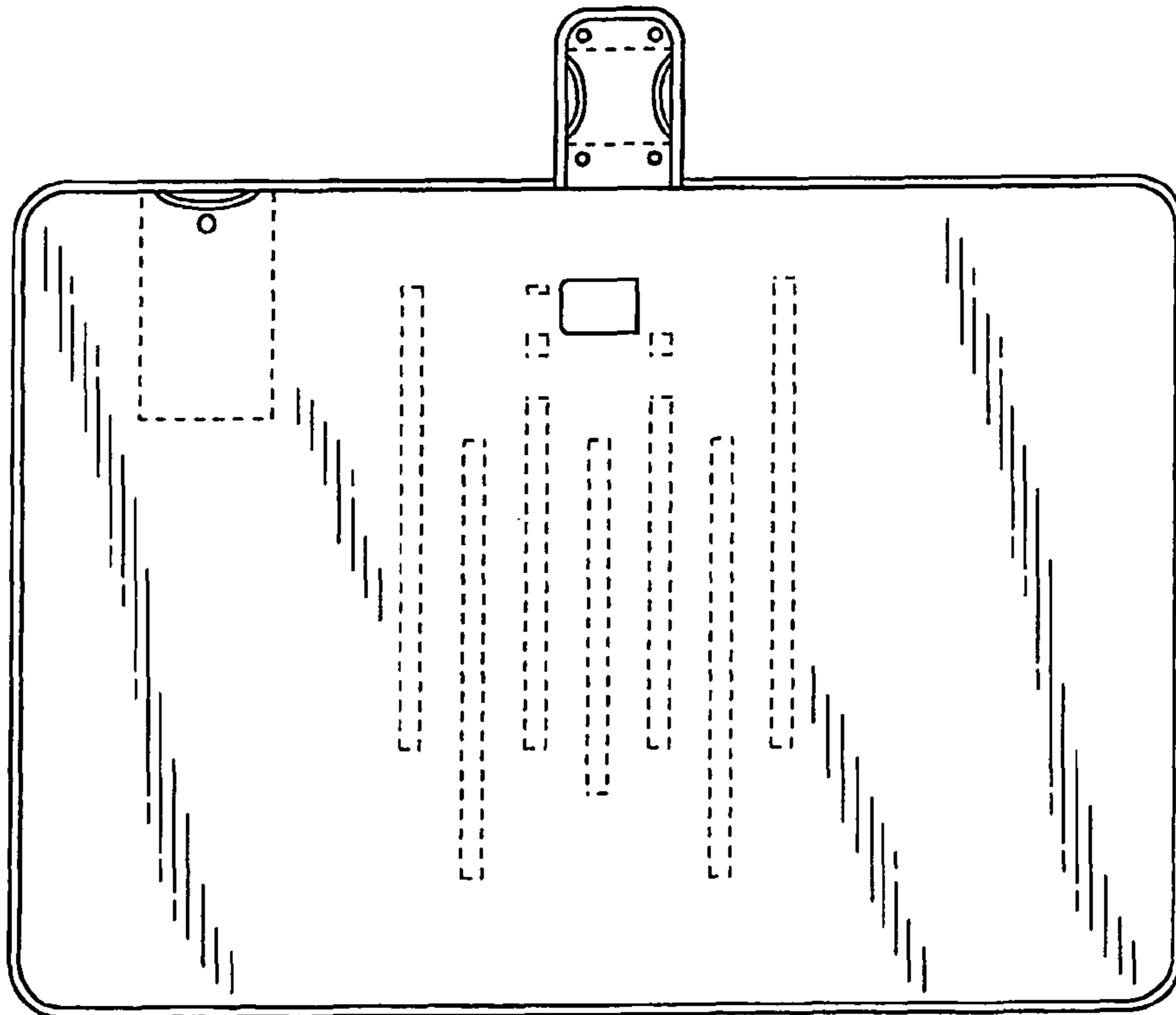


FIG. 8

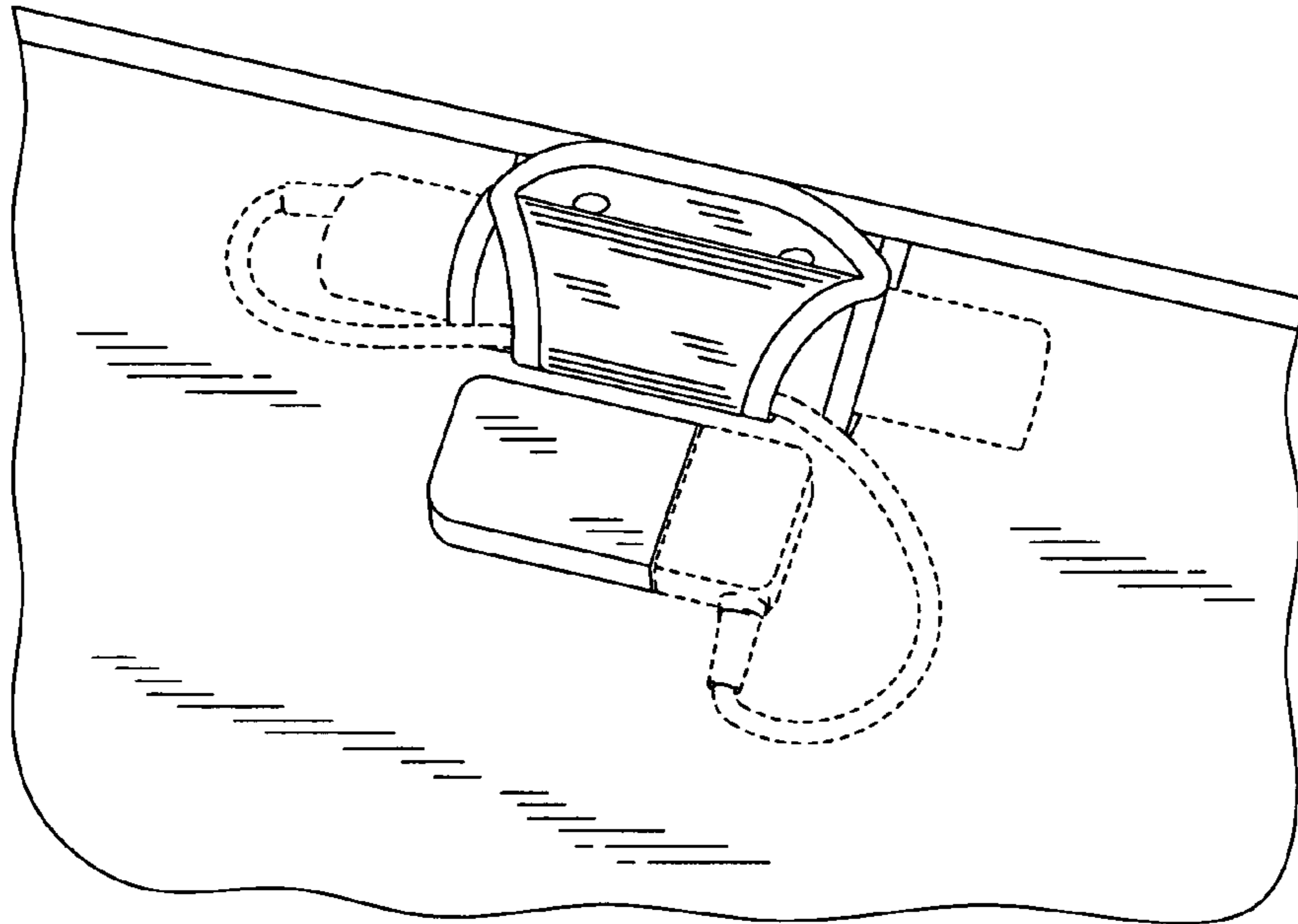


FIG. 9

