



US00D630878S

(12) **United States Design Patent**
Kennett

(10) **Patent No.:** **US D630,878 S**

(45) **Date of Patent:** **** Jan. 18, 2011**

(54) **BED VALANCE**

(75) Inventor: **Rosemary Anne Kennett**, Burnside (AU)

(73) Assignee: **Intide Pty Ltd**, Burnside (AU)

(**) Term: **14 Years**

(21) Appl. No.: **29/325,086**

(22) Filed: **Sep. 25, 2008**

(30) **Foreign Application Priority Data**

Mar. 27, 2008 (AU) 11481/2008

(51) **LOC (9) Cl.** **06-09**

(52) **U.S. Cl.** **D6/603**

(58) **Field of Classification Search** D6/602,
D6/603, 595, 596; 5/493, 495, 496, 501
See application file for complete search history.

(56) **References Cited**

U.S. PATENT DOCUMENTS

3,144,666	A *	8/1964	Ragsdale et al.	5/493
4,141,097	A *	2/1979	Levinsohn et al.	5/493
5,003,655	A *	4/1991	Kafai	5/496
5,715,553	A *	2/1998	Baron et al.	5/493
6,971,129	B2 *	12/2005	Wootten et al.	5/493

7,207,078	B1 *	4/2007	Lakic	5/493
2004/0154102	A1 *	8/2004	Cohen	5/493
2007/0251006	A1 *	11/2007	Kennett	5/493

* cited by examiner

Primary Examiner—Janice E Seeger

(74) *Attorney, Agent, or Firm*—Young & Thompson

(57) **CLAIM**

The ornamental design for a bed valance, as shown and described.

DESCRIPTION

FIG. 1 is a bottom perspective view of a valance showing my new design;

FIG. 2 is a top perspective view thereof;

FIG. 3 is a top plan view thereof;

FIG. 4 is a bottom plan view thereof;

FIG. 5 is a view thereof from the top of FIG. 3;

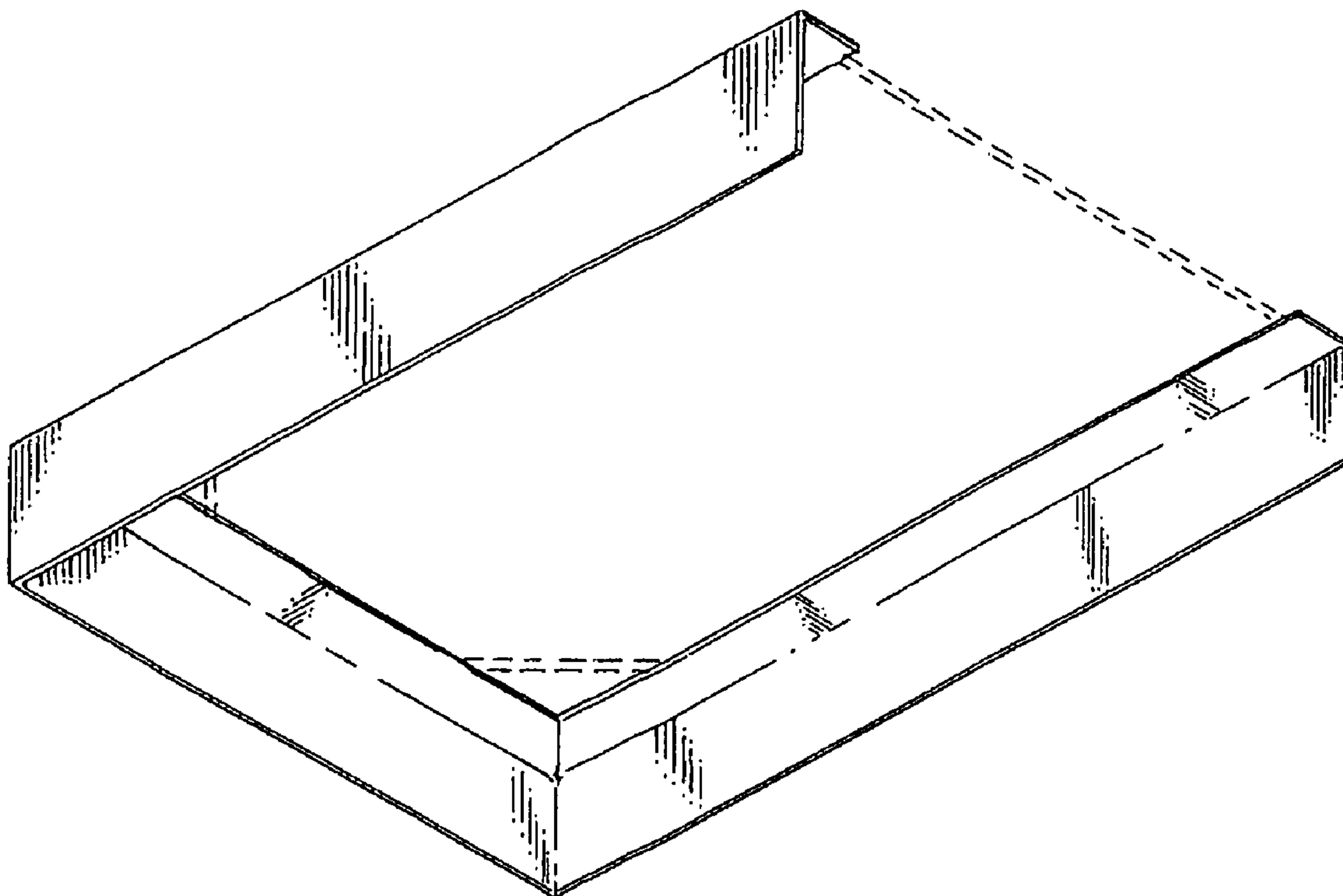
FIG. 6 is a view thereof from the bottom of FIG. 3;

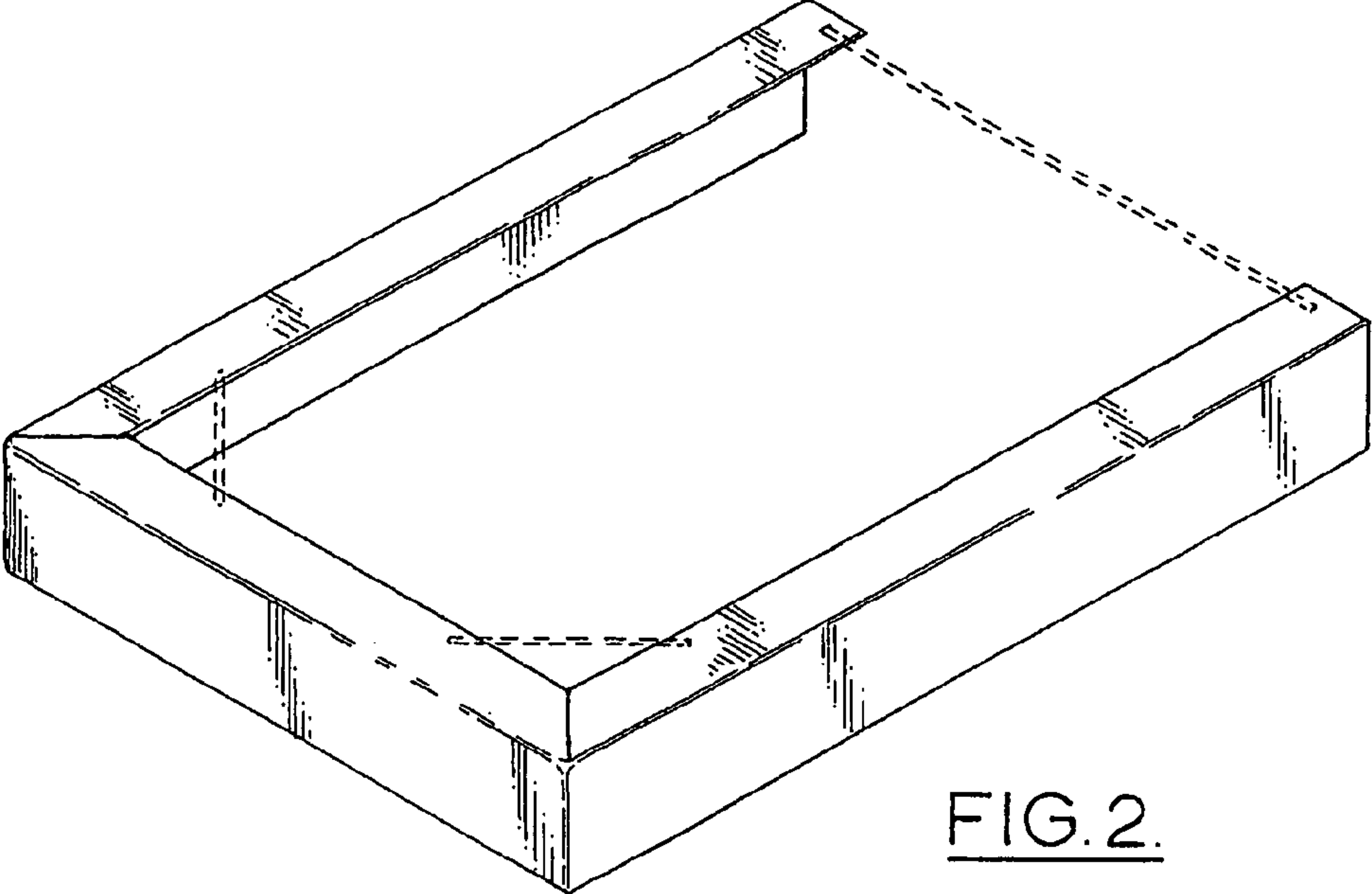
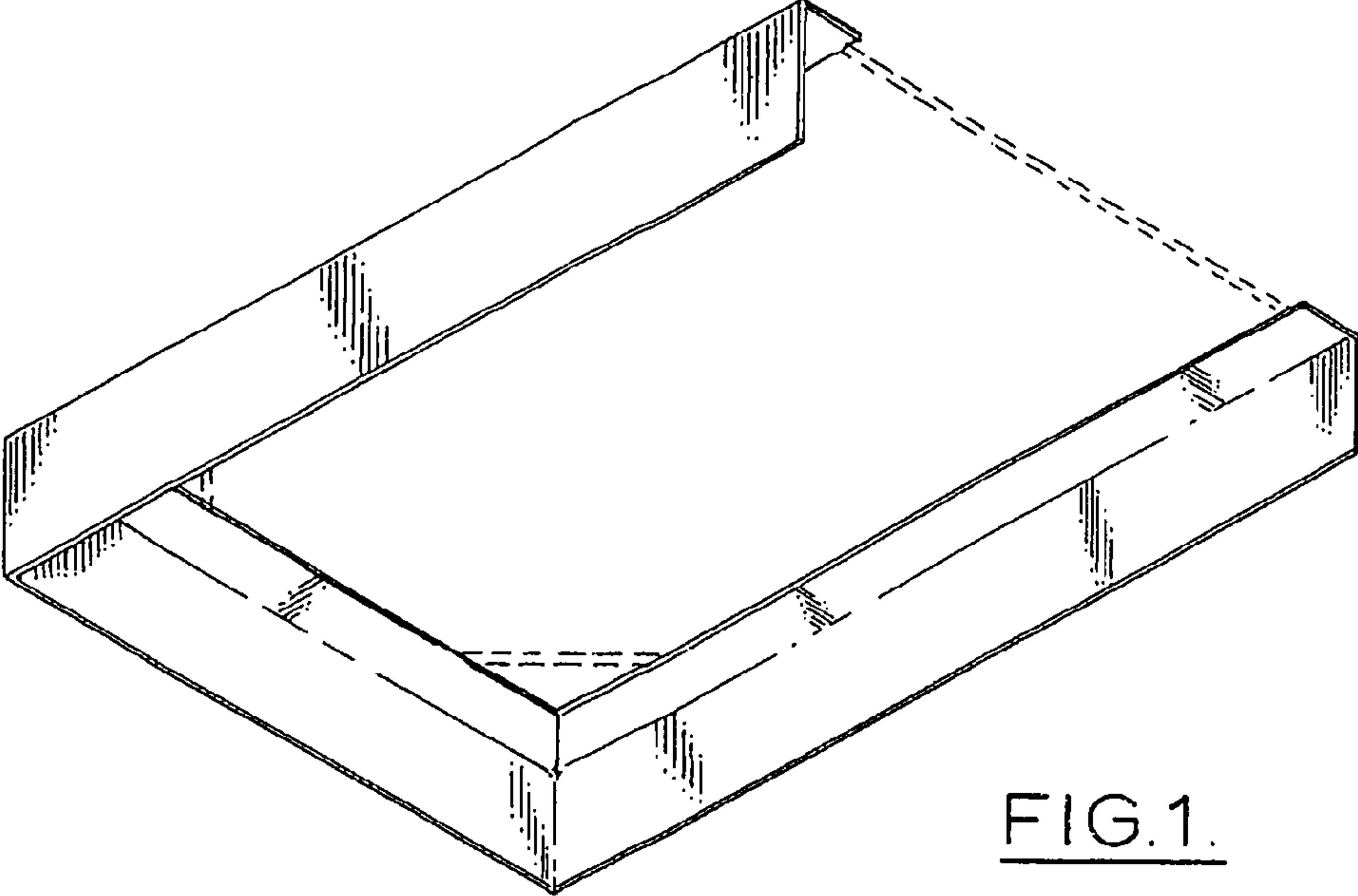
FIG. 7 is a view thereof from the left of FIG. 3; and,

FIG. 8 is a view thereof from the right of FIG. 3.

The portions shown in broken line are for illustrative purposes only and form no part of the claimed design.

1 Claim, 3 Drawing Sheets





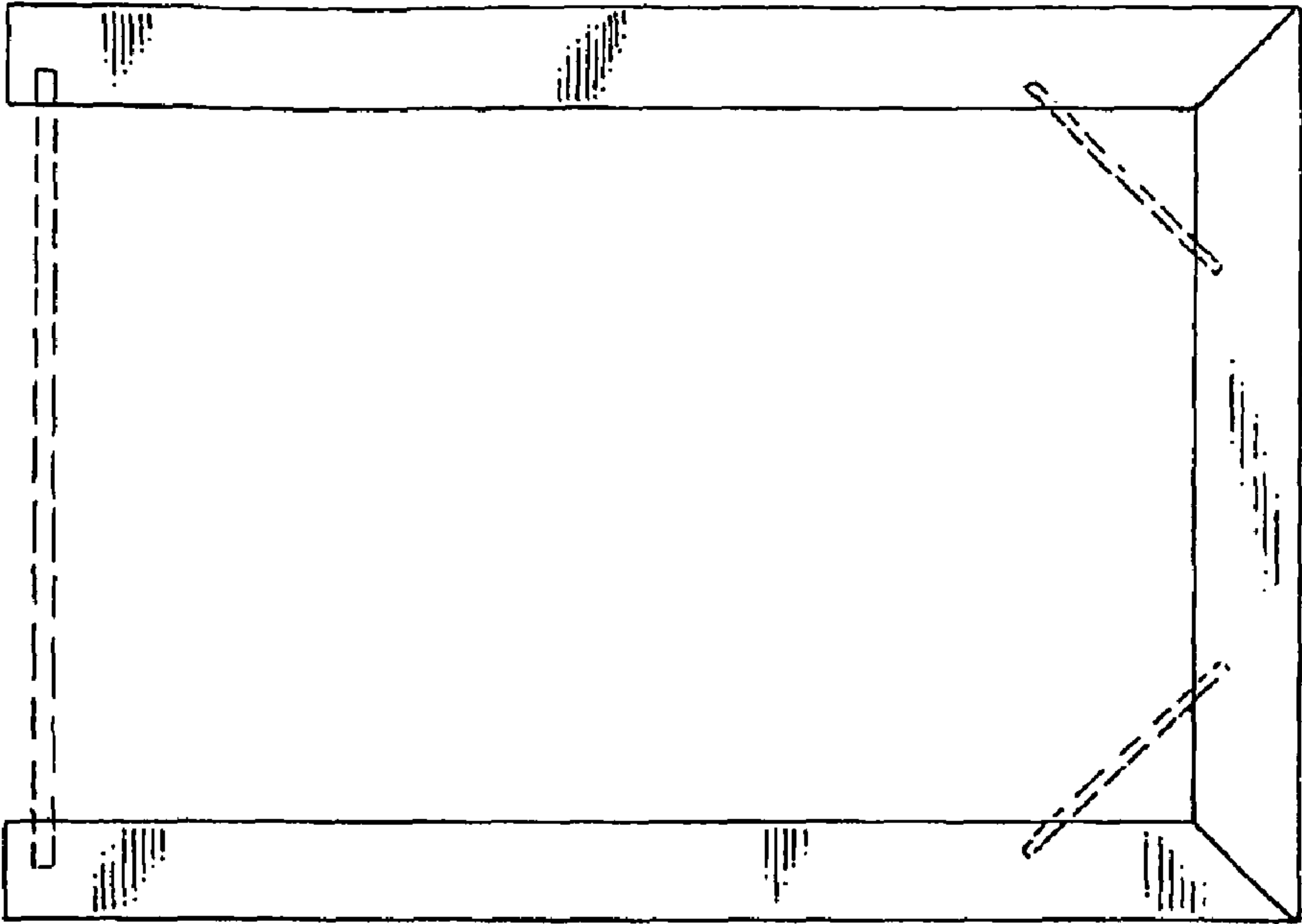


FIG. 3.

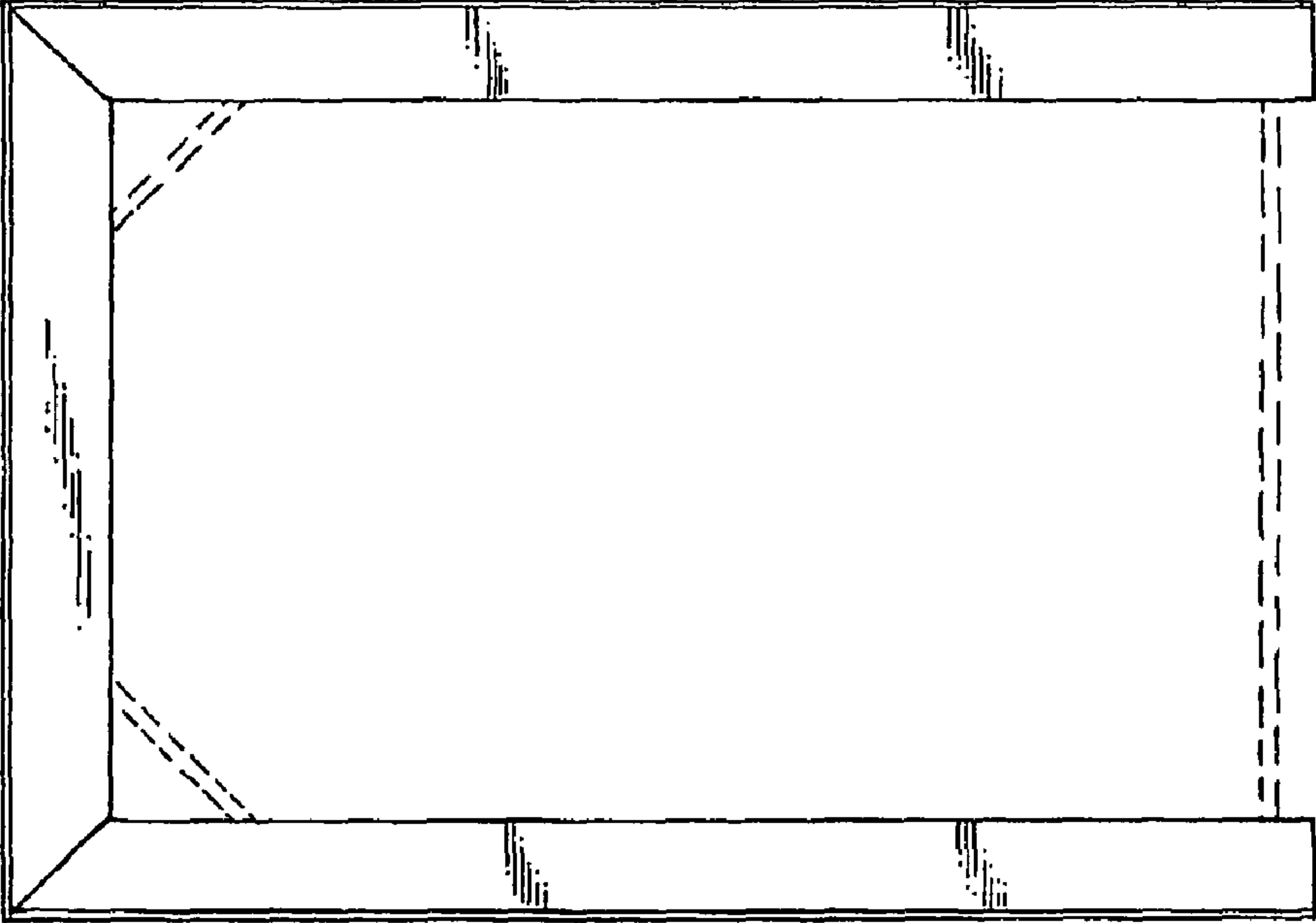


FIG. 4.



FIG. 5.



FIG. 6.



FIG. 7.

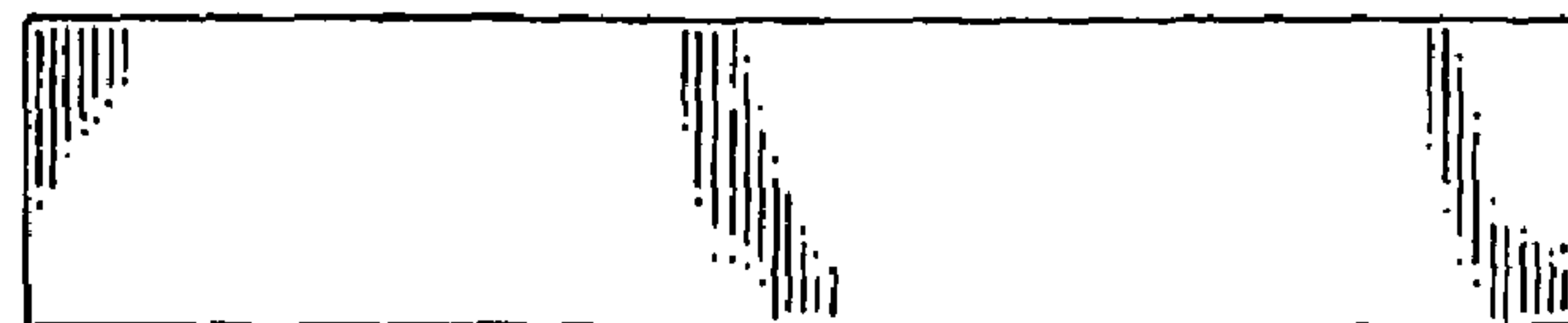


FIG. 8.