



US00D630875S

(12) **United States Design Patent**
Leung

(10) **Patent No.:** **US D630,875 S**
(45) **Date of Patent:** **** Jan. 18, 2011**

(54) **RACK FOR GUNS**

(76) Inventor: **David Leung**, 2242 Northwest Pkwy.,
Atlanta, GA (US) 30067

(**) Term: **14 Years**

(21) Appl. No.: **29/353,885**

(22) Filed: **Jan. 15, 2010**

(51) **LOC (9) Cl.** **08-08**

(52) **U.S. Cl.** **D6/552**

(58) **Field of Classification Search** D6/552;
D21/573; 248/96; 211/13.1, 64; 224/483,
224/539, 566, 568, 571; 280/13, 652

See application file for complete search history.

(56) **References Cited**

U.S. PATENT DOCUMENTS

2,452,929	A *	11/1948	Holcomb	248/96
3,266,633	A	8/1966	Graebner		
3,876,078	A	4/1975	Gomes et al.		
4,852,780	A *	8/1989	Woodbury	224/539
D324,951	S *	3/1992	Narramore	D6/552
D365,717	S *	1/1996	Cardenas	D6/552
5,626,379	A	5/1997	Scott		
D381,852	S *	8/1997	Cardenas	D6/552
D394,291	S *	5/1998	Beltran et al.	D6/552

(Continued)

Primary Examiner—Brian N Vinson

(74) *Attorney, Agent, or Firm*—Michael L. Greenberg, Esq.;
Greenberg & Lieberman, LLC

(57) **CLAIM**

The ornamental design of a gun rack, as shown and described.

DESCRIPTION

FIG. 1 is a front view of the present invention when unfolded.

FIG. 2 is a back view of the present invention when unfolded.

FIG. 3 is a top view of the present invention when unfolded.

FIG. 4 is a bottom view of the present invention when unfolded.

FIG. 5 is an environmental perspective of the present invention when unfolded.

FIG. 6 is a right side view of the present invention when unfolded.

FIG. 7 is a left side view of the present invention when unfolded.

FIG. 8 is a front view of the present invention with the bottom open and barrel rest collapsed.

FIG. 9 is a back view of the present invention with the bottom open and barrel rest collapsed.

FIG. 10 is a top view of the present invention with the bottom open and barrel rest collapsed.

FIG. 11 is a bottom view of the present invention with the bottom open and barrel rest collapsed.

FIG. 12 is an environmental perspective of the present invention with the bottom open and barrel rest collapsed.

FIG. 13 is a right side view of the present invention with the bottom open and barrel rest collapsed.

FIG. 14 is a left side view of the present invention with the bottom open and barrel rest collapsed.

FIG. 15 is a front view of the present invention when folded.

FIG. 16 is a bottom view of the present invention when folded.

FIG. 17 is a top view of the present invention when folded.

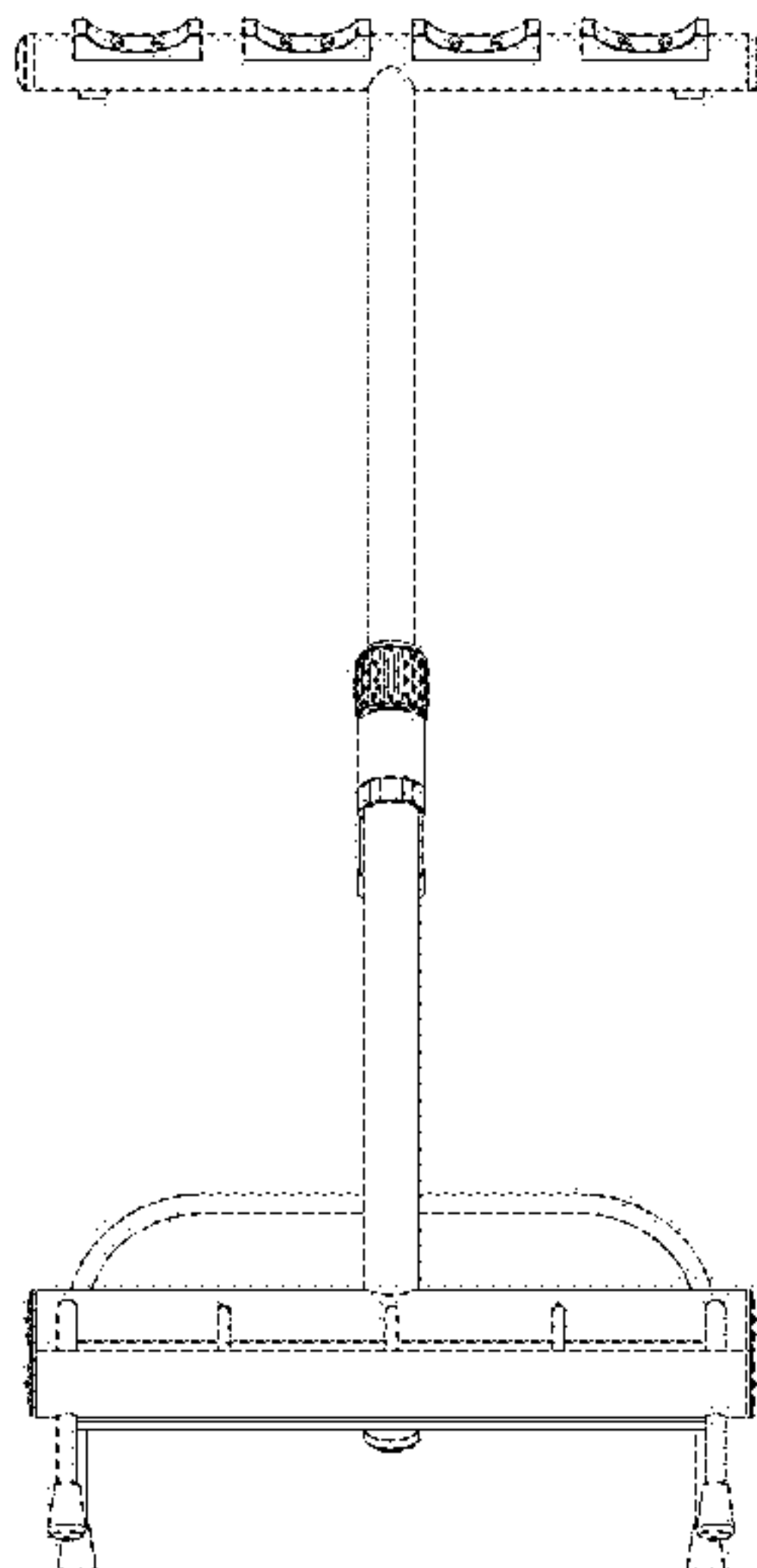
FIG. 18 is a back view of the present invention when folded.

FIG. 19 is an environmental perspective of the present invention when folded.

FIG. 20 is a right view of the present invention when folded; and,

FIG. 21 is a left view of the present invention when folded.

1 Claim, 21 Drawing Sheets



US D630,875 S

Page 2

U.S. PATENT DOCUMENTS

5,755,342 A	5/1998	Hoffman					
D409,033 S *	5/1999	Wittek, Sr.	D6/552			
D424,141 S *	5/2000	Eckmann	D6/552			
					D459,625 S *	7/2002	Zebbedies D6/552
					6,793,184 B2	9/2004	Dougal et al.
					7,124,530 B1	10/2006	Clark
					D622,086 S *	8/2010	Leung D6/552
							* cited by examiner

FIG. 1

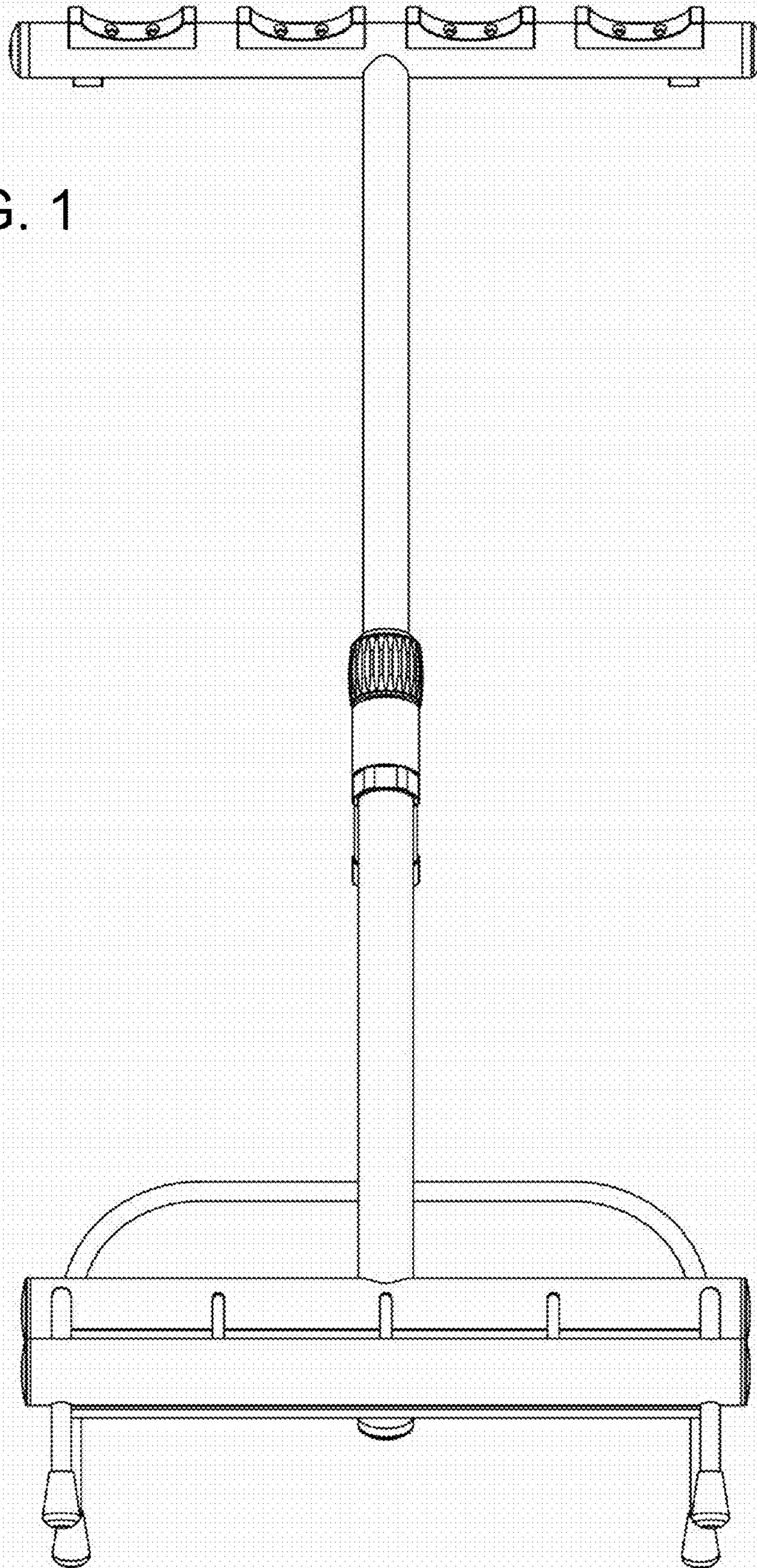


FIG.2

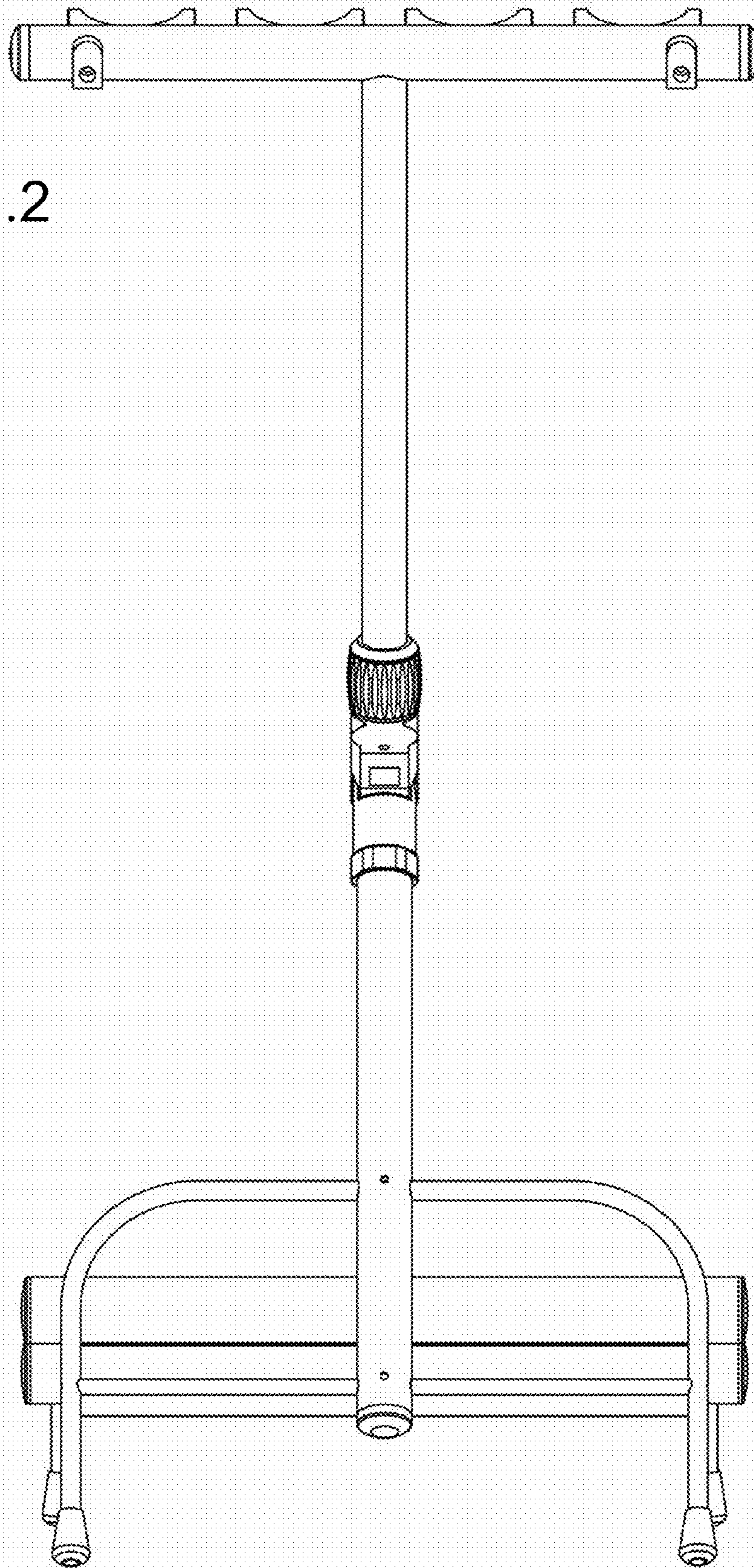


FIG. 3

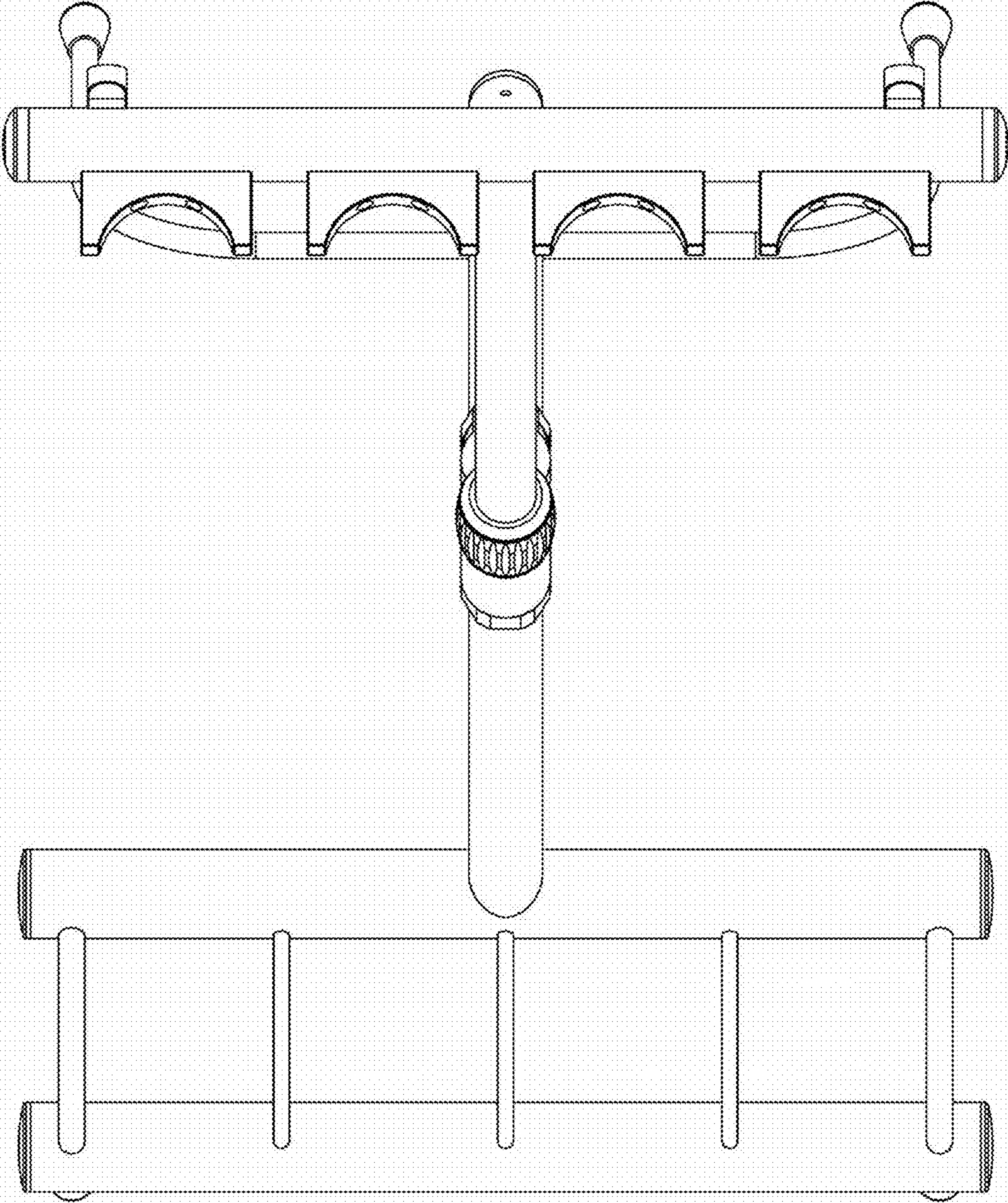


FIG. 4

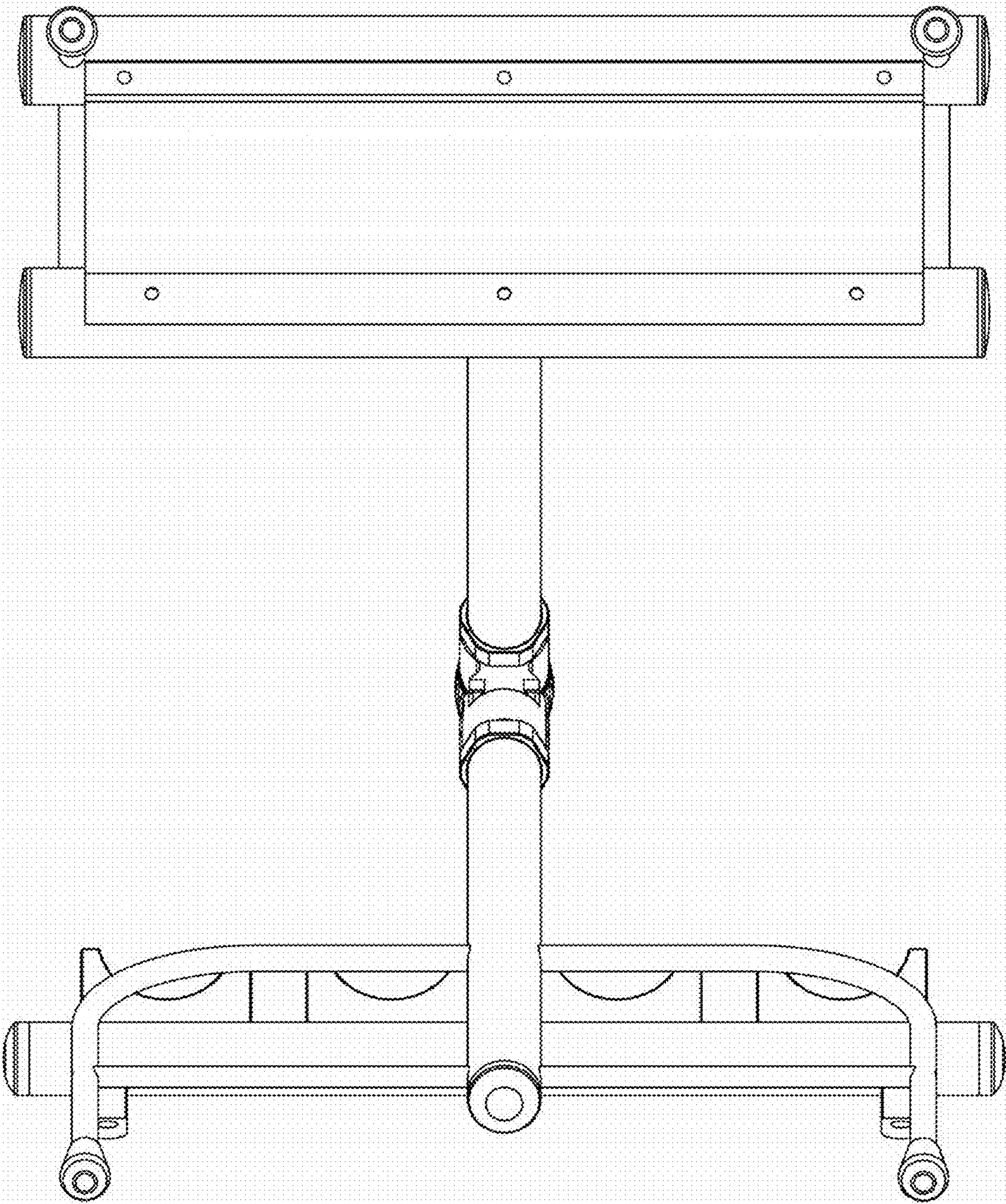
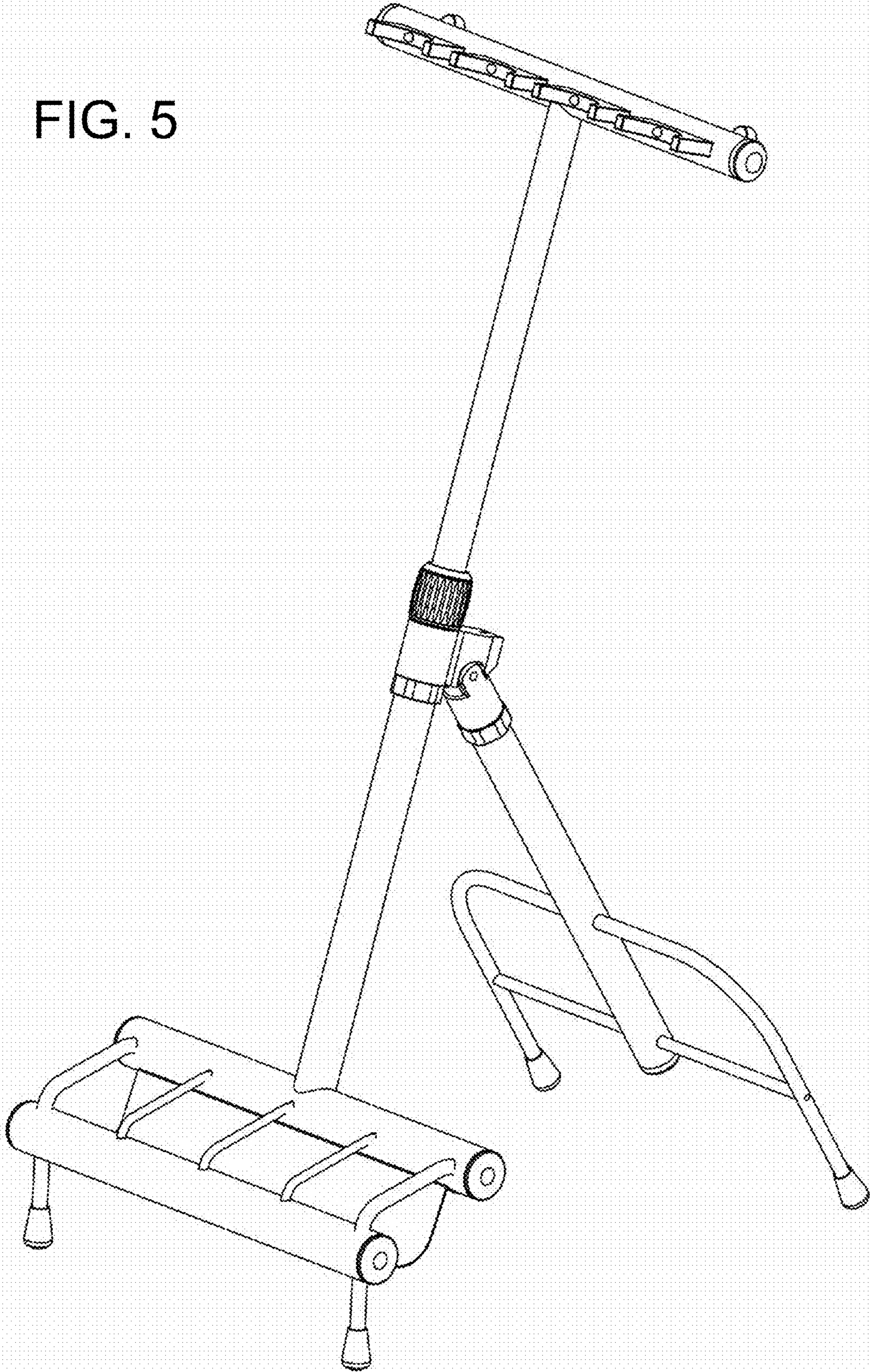
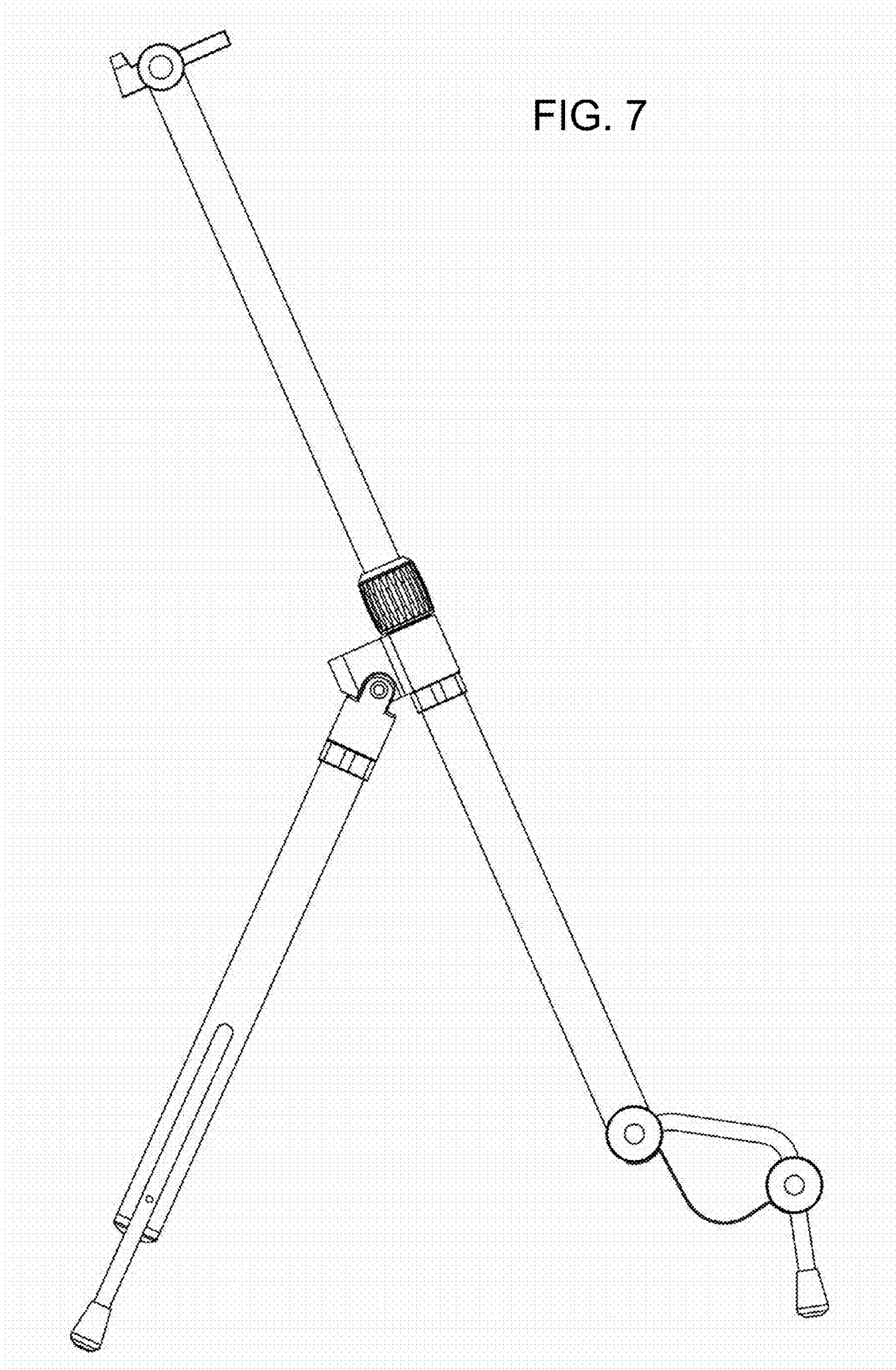
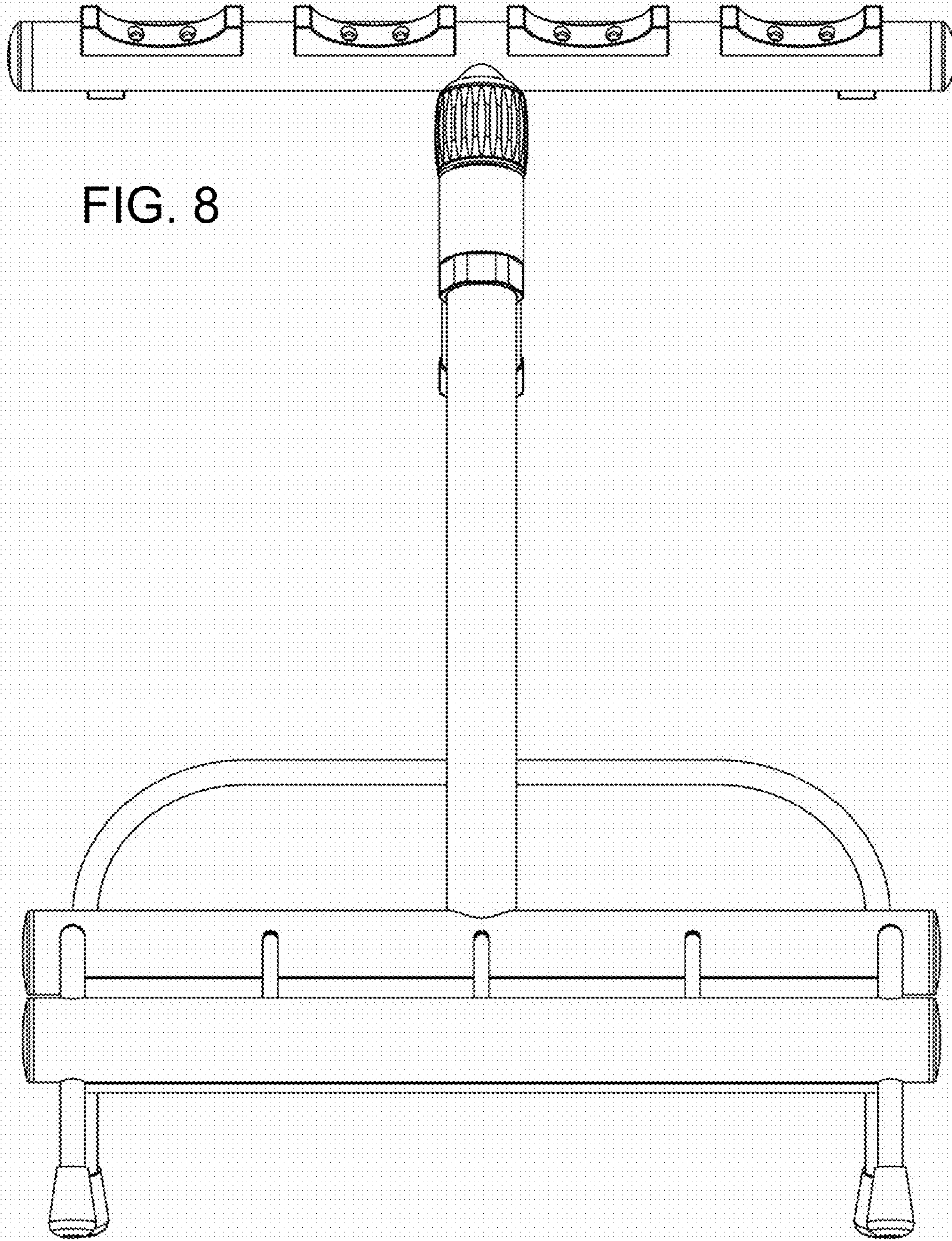


FIG. 5







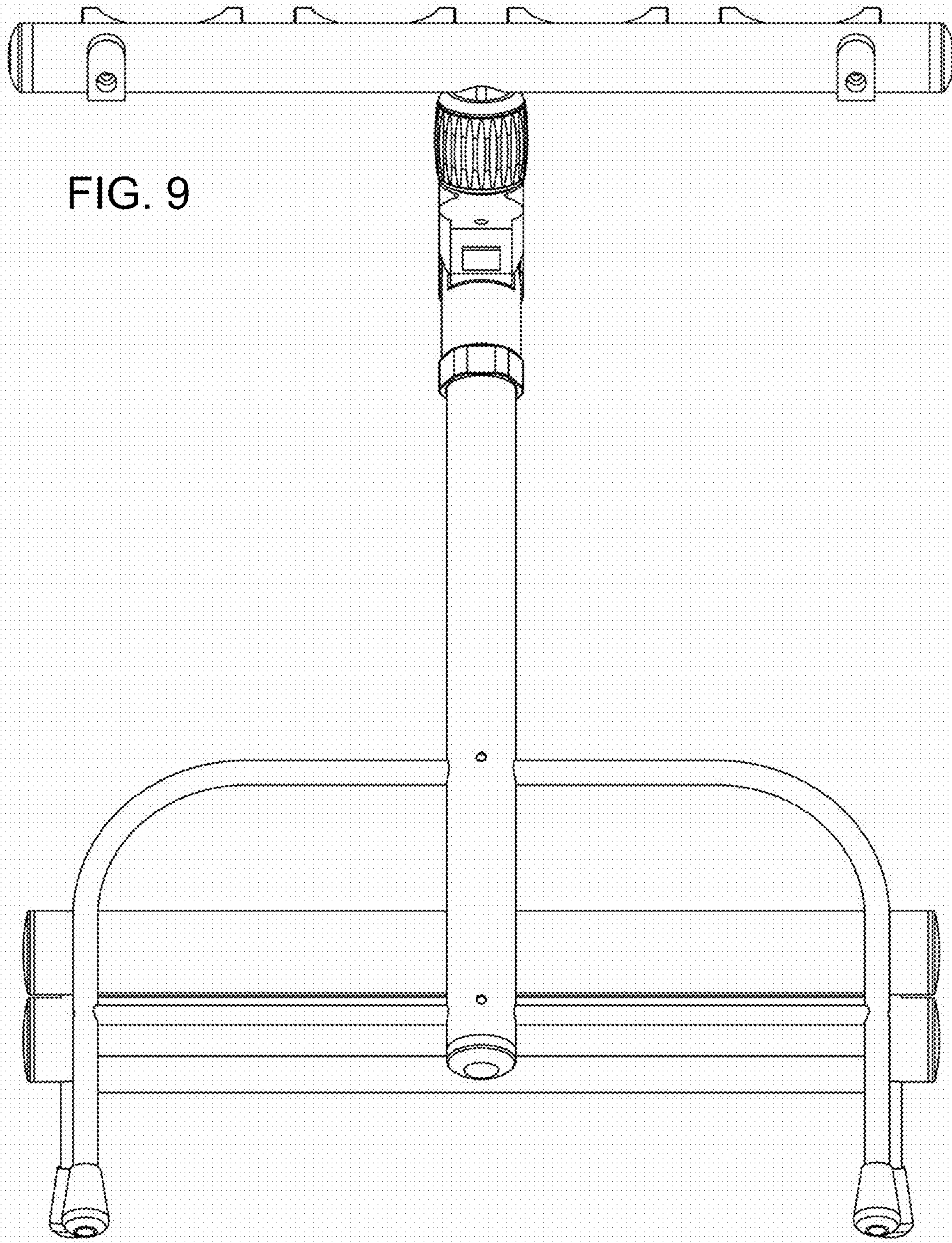


FIG. 10

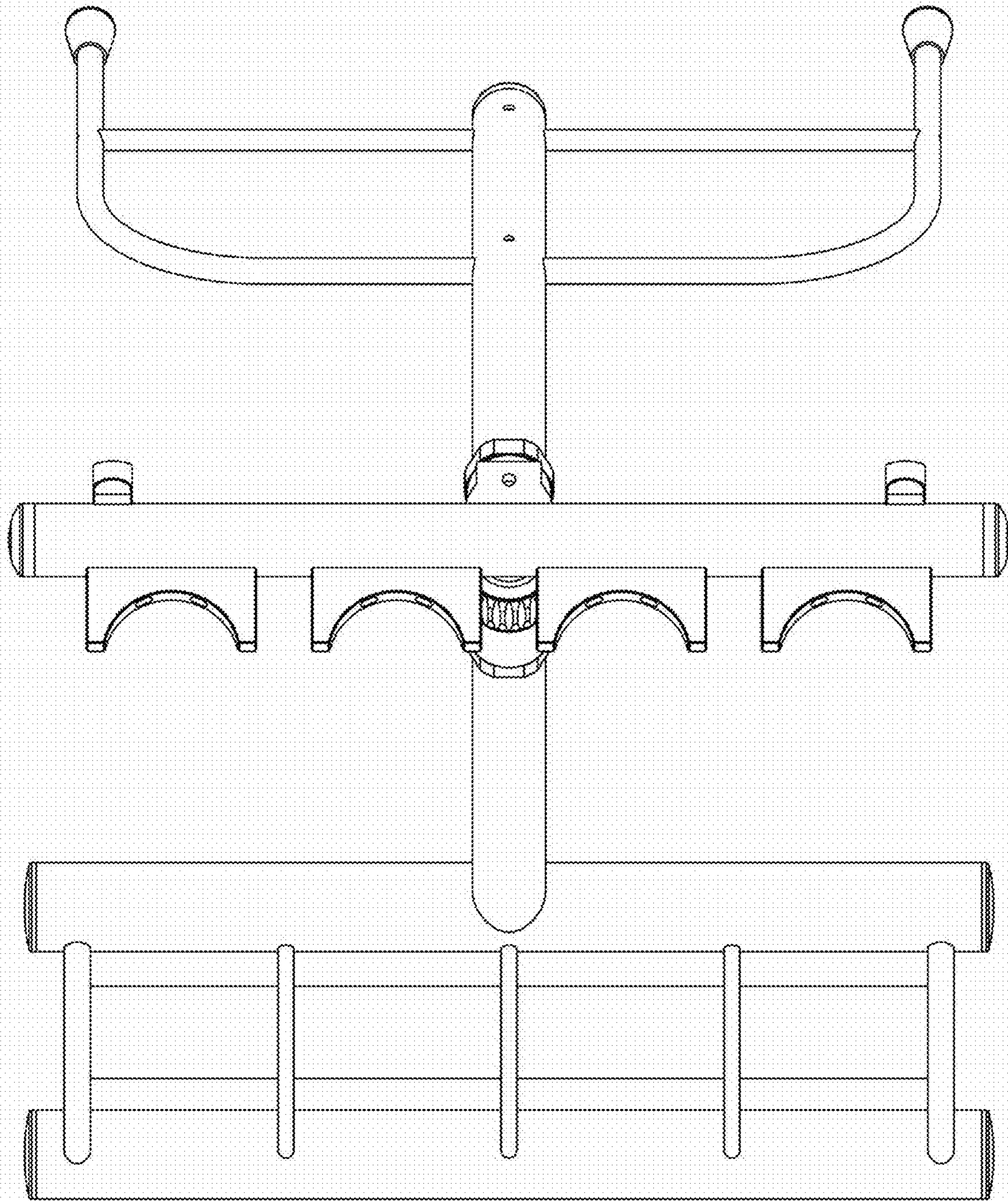


FIG.11

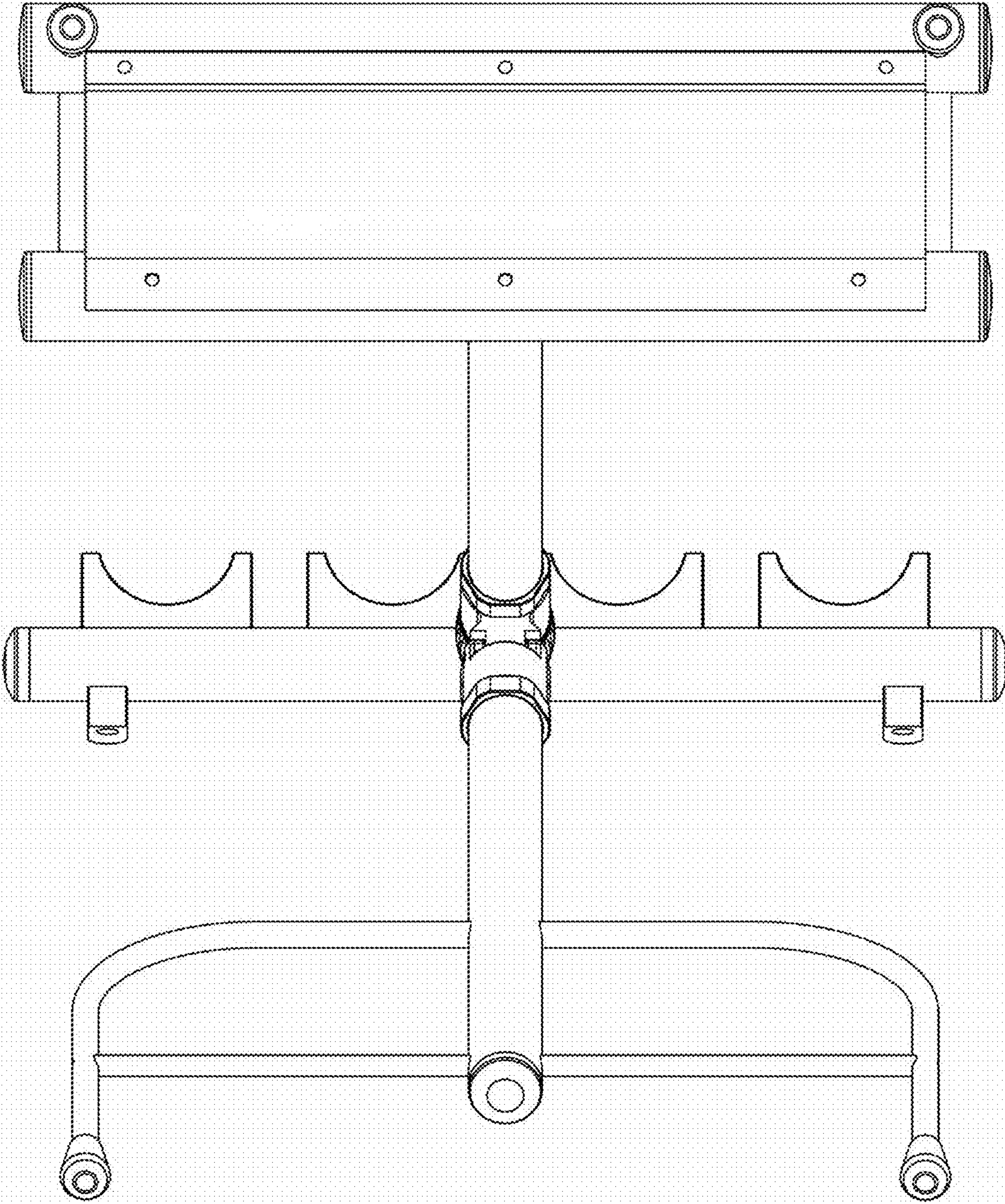


FIG. 12

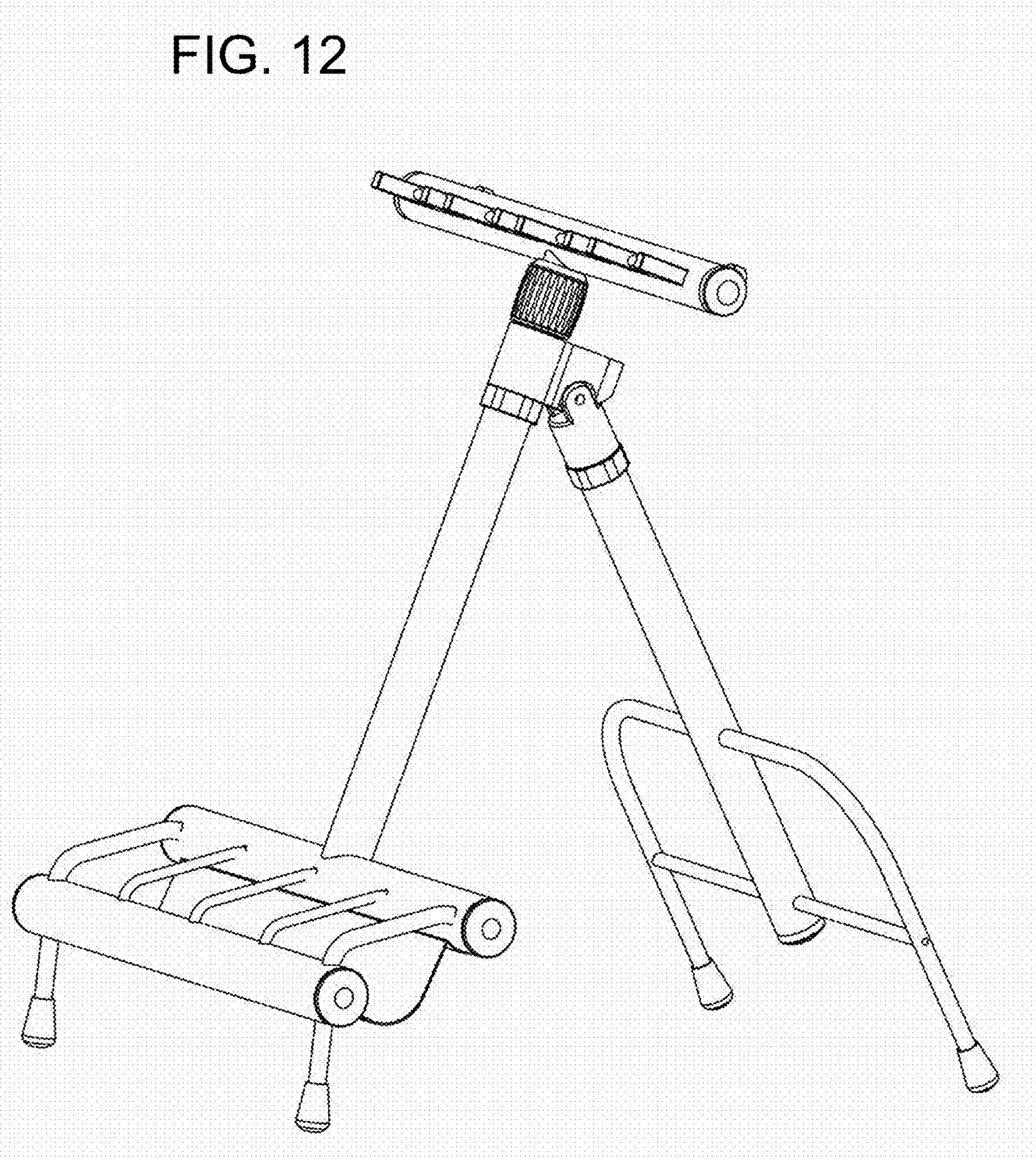


FIG. 13

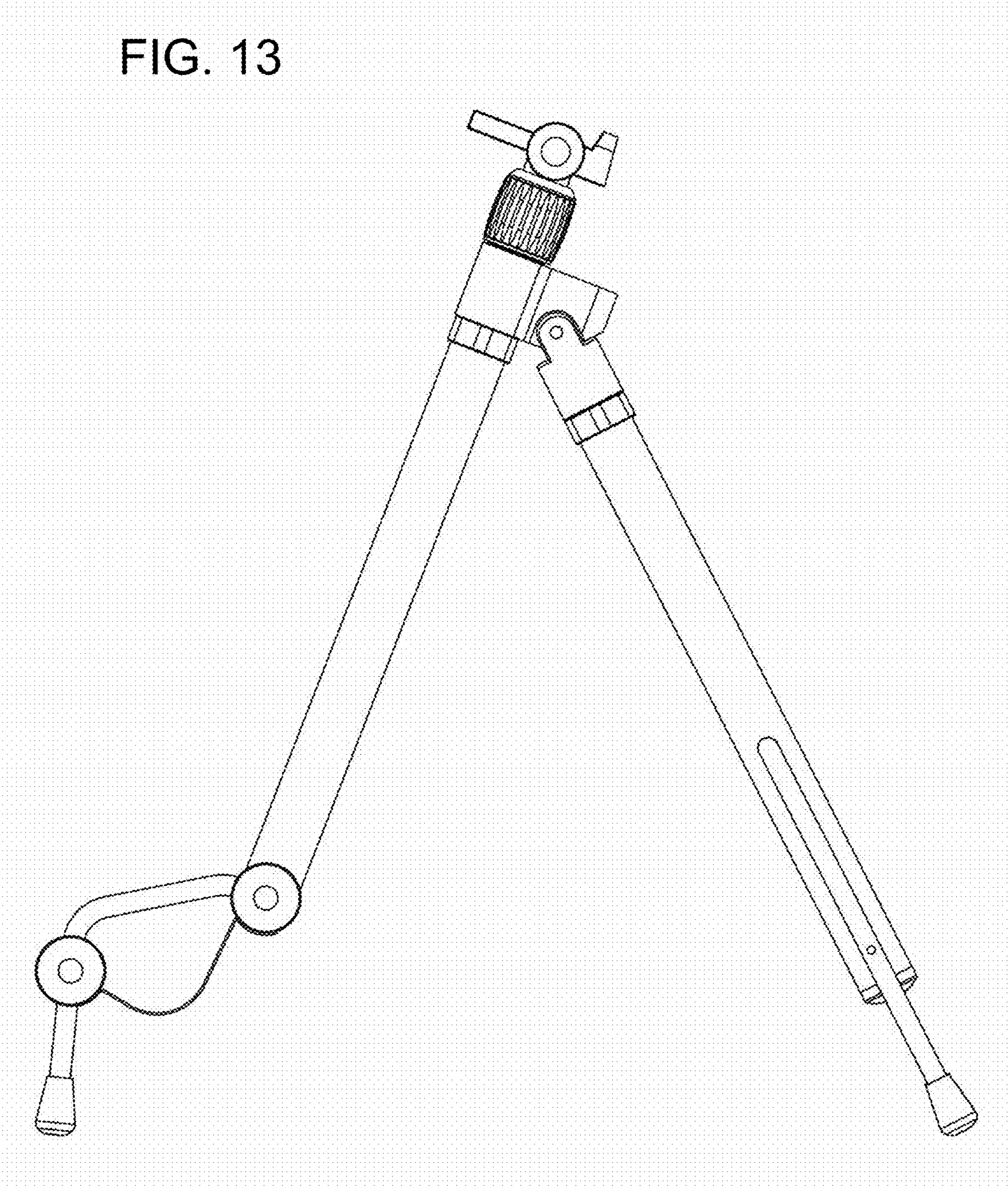
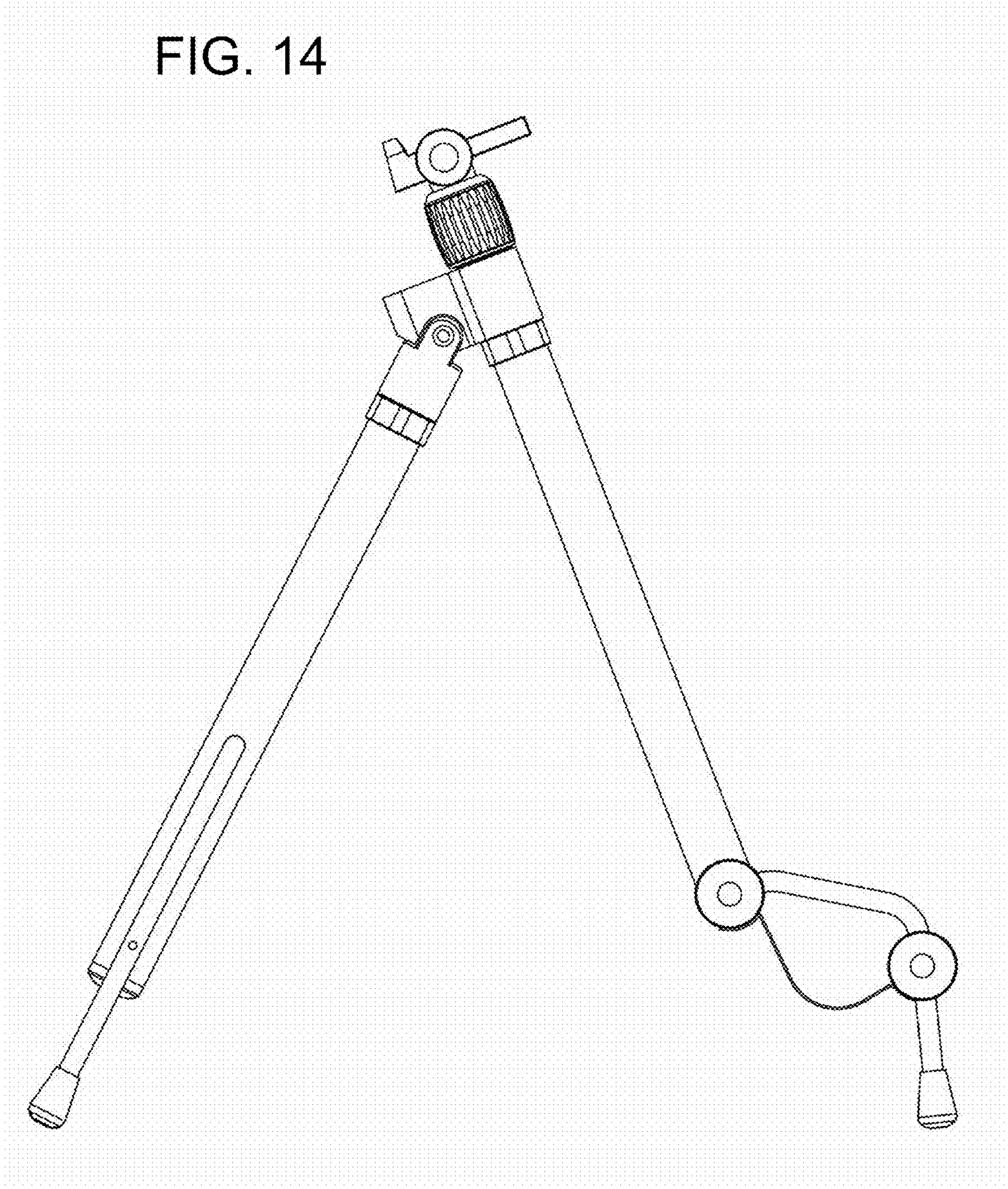


FIG. 14



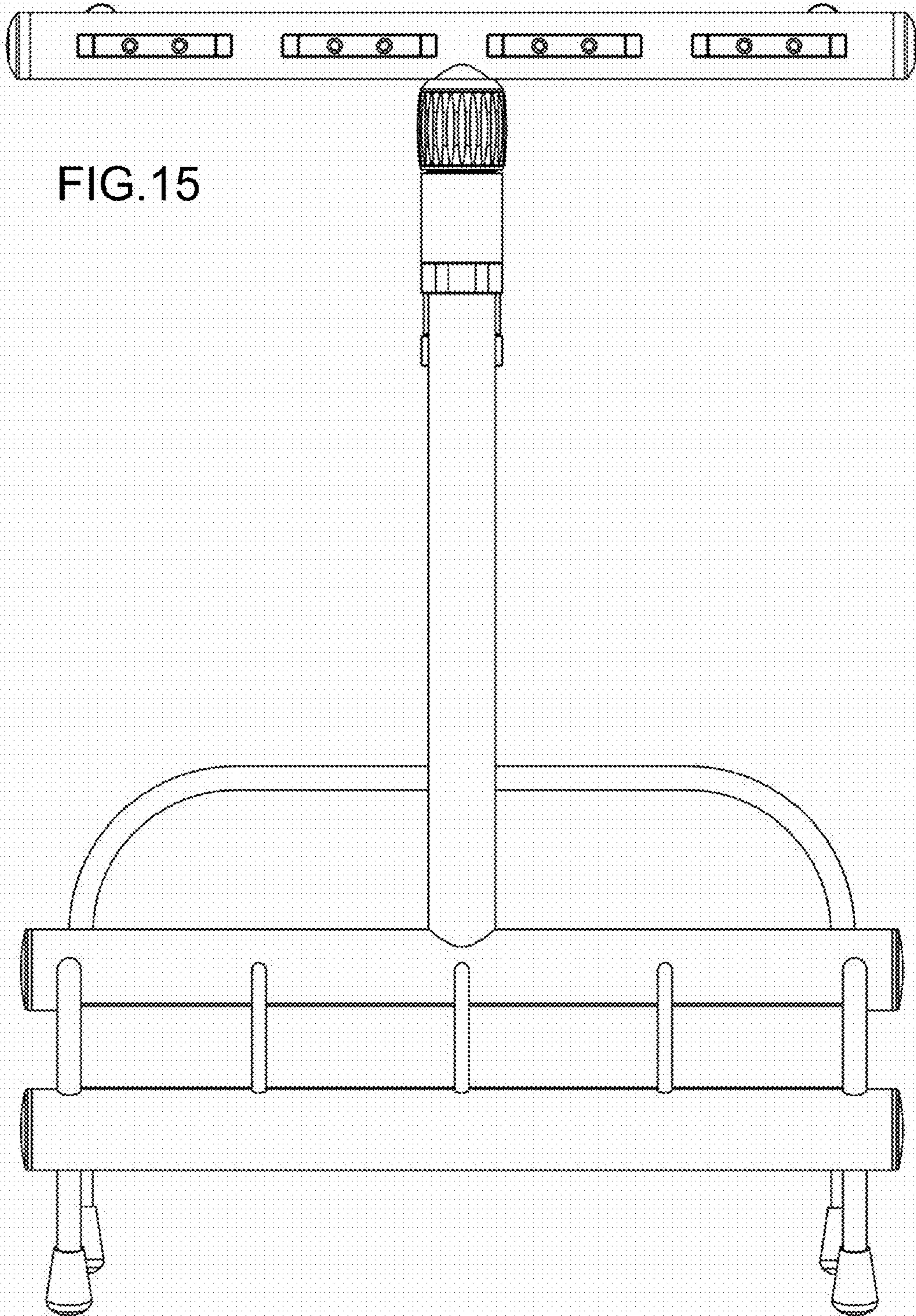


FIG. 16

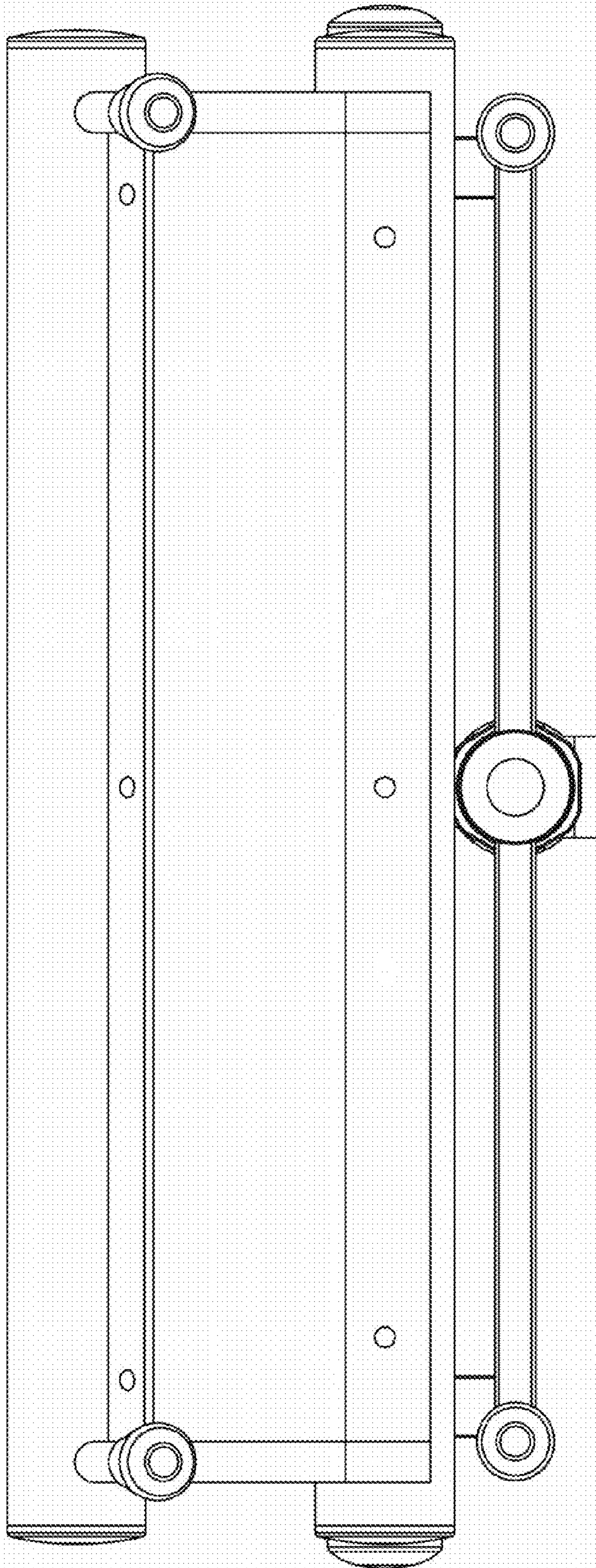


FIG. 17

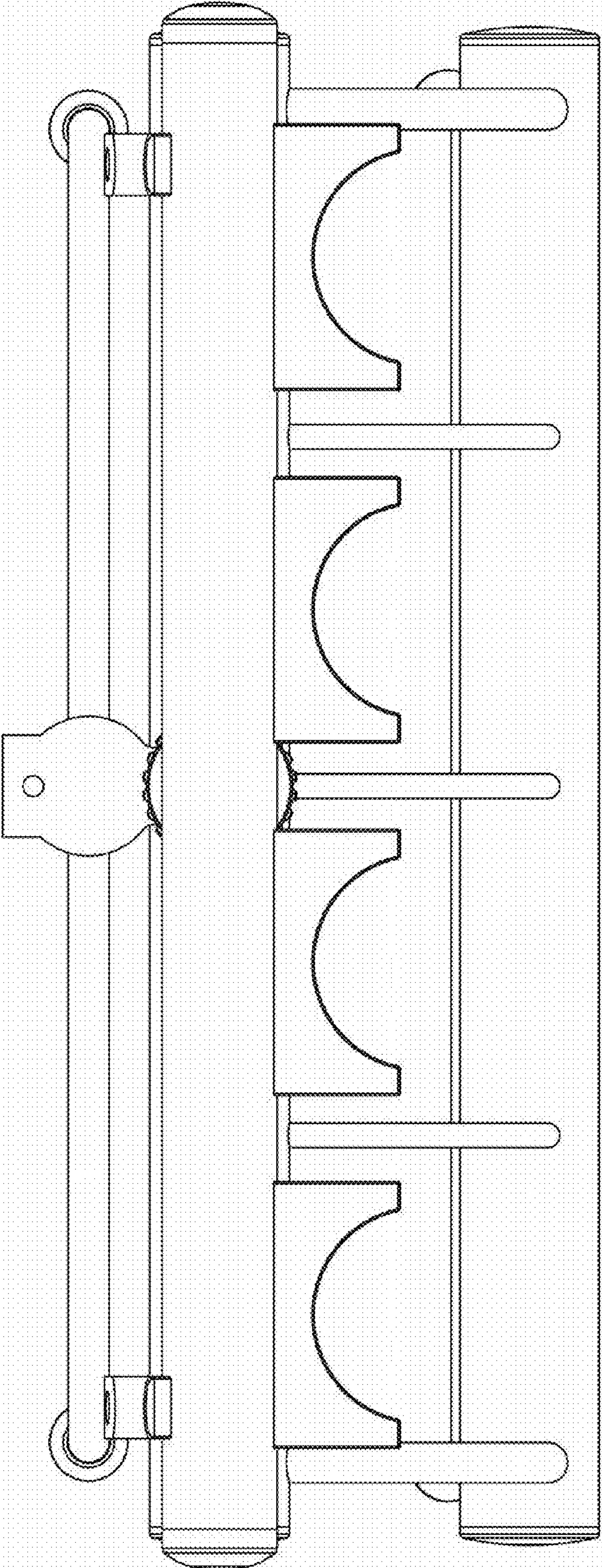


FIG. 18

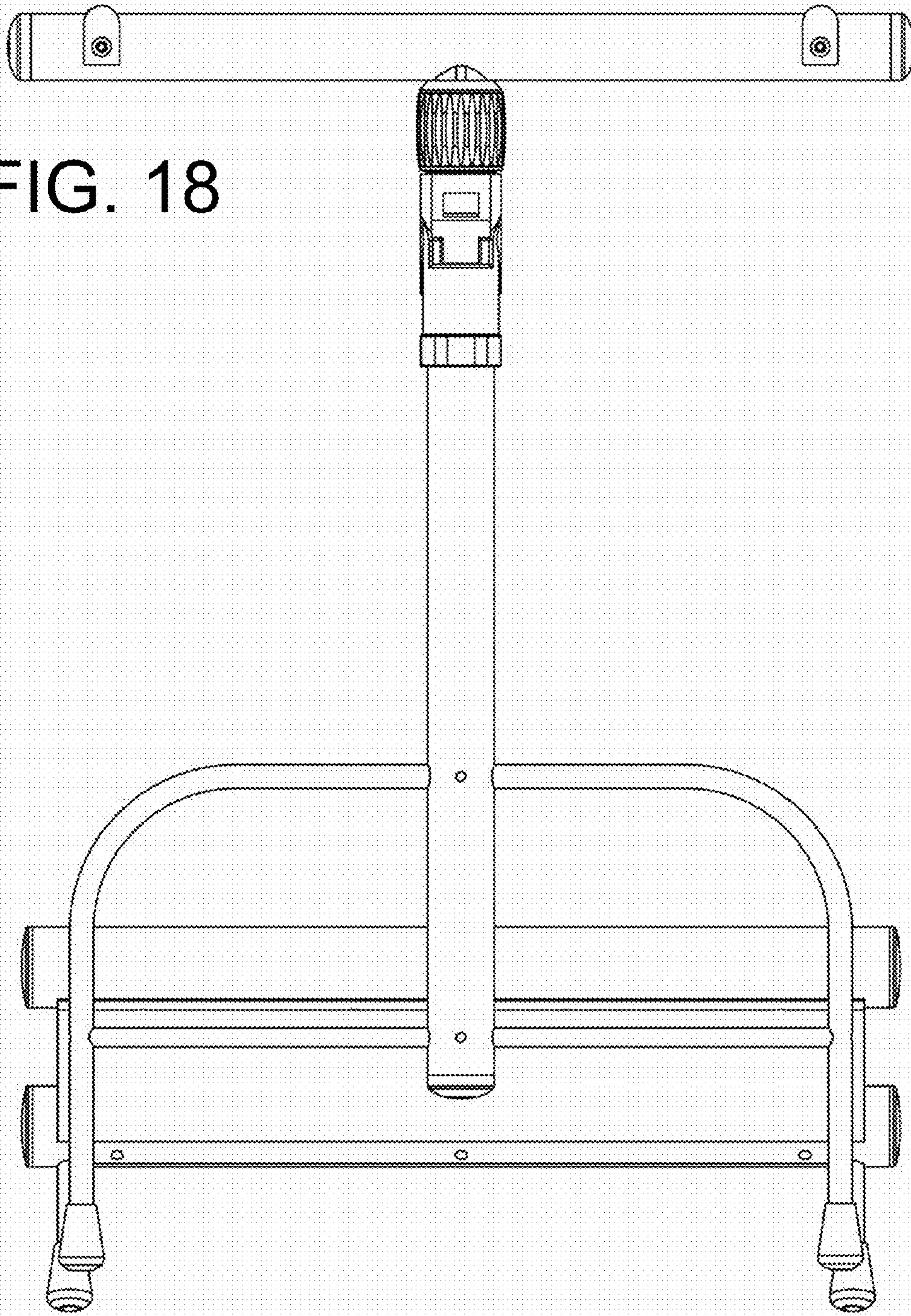


FIG. 19

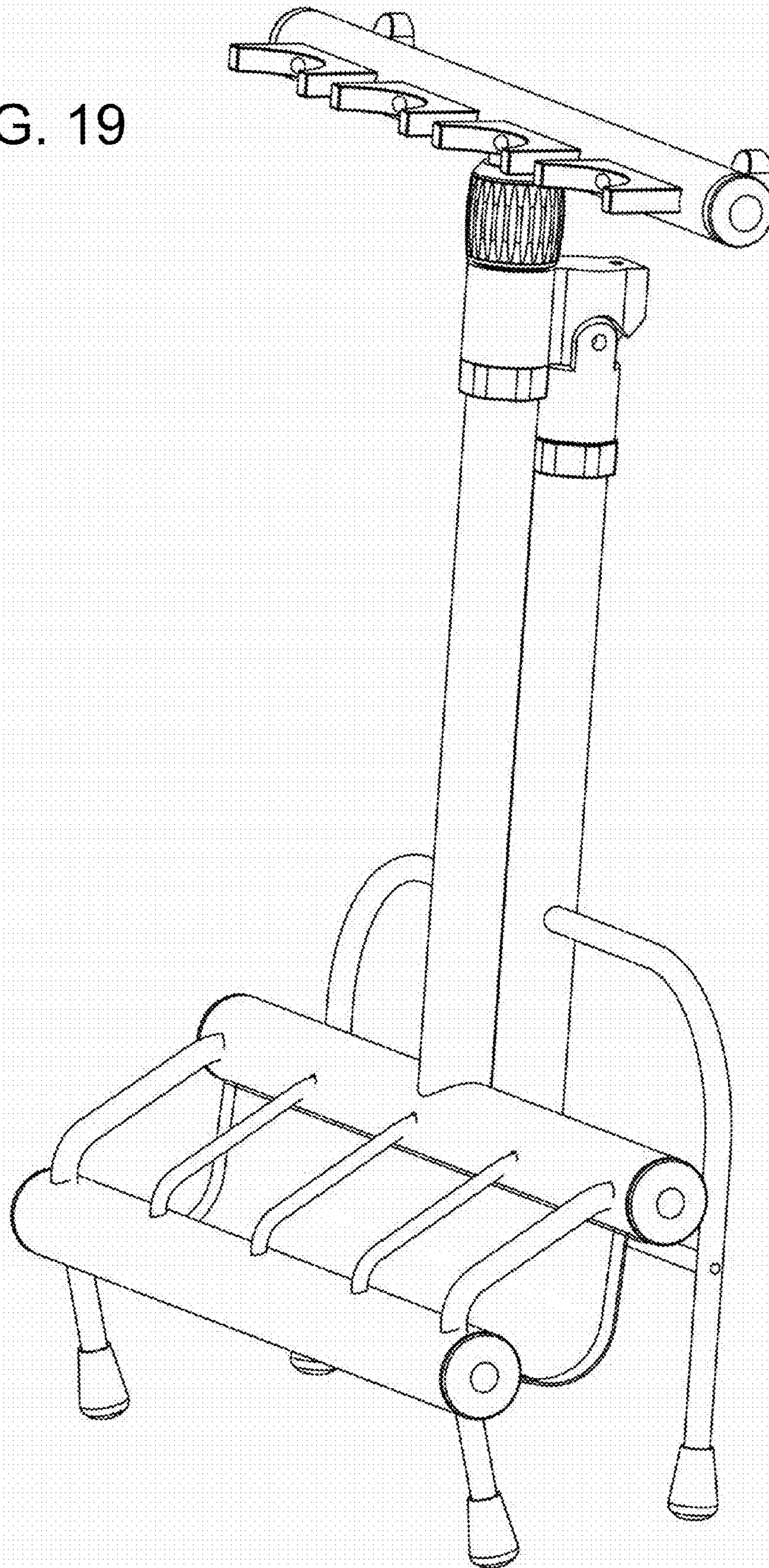


FIG. 20

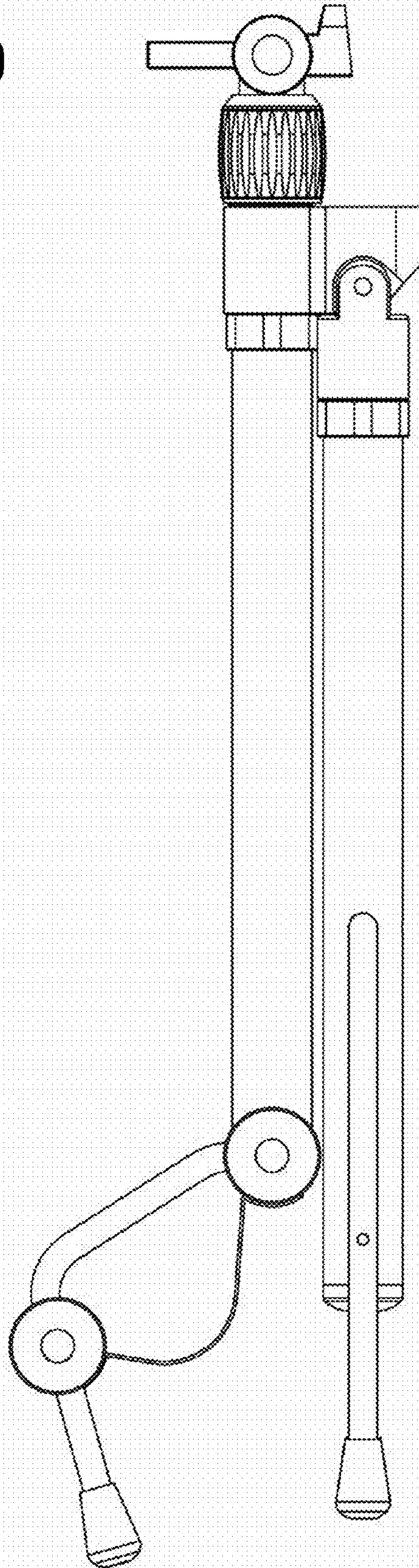


FIG. 21

