



US00D630874S

(12) **United States Design Patent**
Möller et al.

(10) **Patent No.:** **US D630,874 S**
(45) **Date of Patent:** **** Jan. 18, 2011**

(54) **PLUG**

(75) Inventors: **Per Möller**, Leksand (SE); **Erik Hjort**,
Säter (SE); **Allan Salåker**,
Vikmannshyttan (SE)

(73) Assignee: **SCA Hygiene Products AB**, Gothenburg
(SE)

(**) Term: **14 Years**

(21) Appl. No.: **29/338,112**

(22) Filed: **Jun. 4, 2009**

(30) **Foreign Application Priority Data**

Apr. 12, 2008 (EM) 001056063-0001/0003

(51) **LOC (9) Cl.** **20-02**

(52) **U.S. Cl.** **D6/518**

(58) **Field of Classification Search** D6/515,
D6/518-523; D3/201; 206/389, 391, 407,
206/409; 312/34.1, 34.8; 211/16, 85.5, 59.2;
221/92, 97, 185, 282, 284; 242/159, 160.2,
242/550, 560, 590, 595, 588, 598, 598.3,
242/598.6, 599.1; 248/309.2

See application file for complete search history.

(56) **References Cited**

U.S. PATENT DOCUMENTS

2,522,109 A 9/1950 Foltis
3,627,220 A 12/1971 Vogel
D296,963 S 8/1988 Smallwood
D324,618 S * 3/1992 Morand D6/523
5,340,047 A * 8/1994 Heller 242/599.1
5,402,978 A * 4/1995 Larson 248/309.2
D362,773 S * 10/1995 Kartchner D6/523

(Continued)

FOREIGN PATENT DOCUMENTS

WO WO 2008/004919 A1 1/2008

(Continued)

Primary Examiner—Brian N Vinson

(74) *Attorney, Agent, or Firm*—Young & Thompson

(57) **CLAIM**

The ornamental design for a plug, as shown and described.

DESCRIPTION

FIG. 1 is a top and side perspective view of a first embodiment of a plug showing our new design;

FIG. 2 is a bottom plan view thereof;

FIG. 3 is a side elevational view thereof, the side opposite being identical thereto;

FIG. 4 is a side elevational view thereof from the left of FIG. 3, the side opposite being identical thereto;

FIG. 5 is a top plan view thereof;

FIG. 6 is a top and side perspective view of a second embodiment of a plug showing our new design;

FIG. 7 is a bottom plan view thereof;

FIG. 8 is a side elevational view thereof, the side opposite being identical thereto;

FIG. 9 is a side elevational view thereof from the left of FIG. 8, the side opposite being identical thereto;

FIG. 10 is a top plan view thereof;

FIG. 11 is a top and side perspective view of a third embodiment of a plug showing our new design;

FIG. 12 is a bottom plan view thereof;

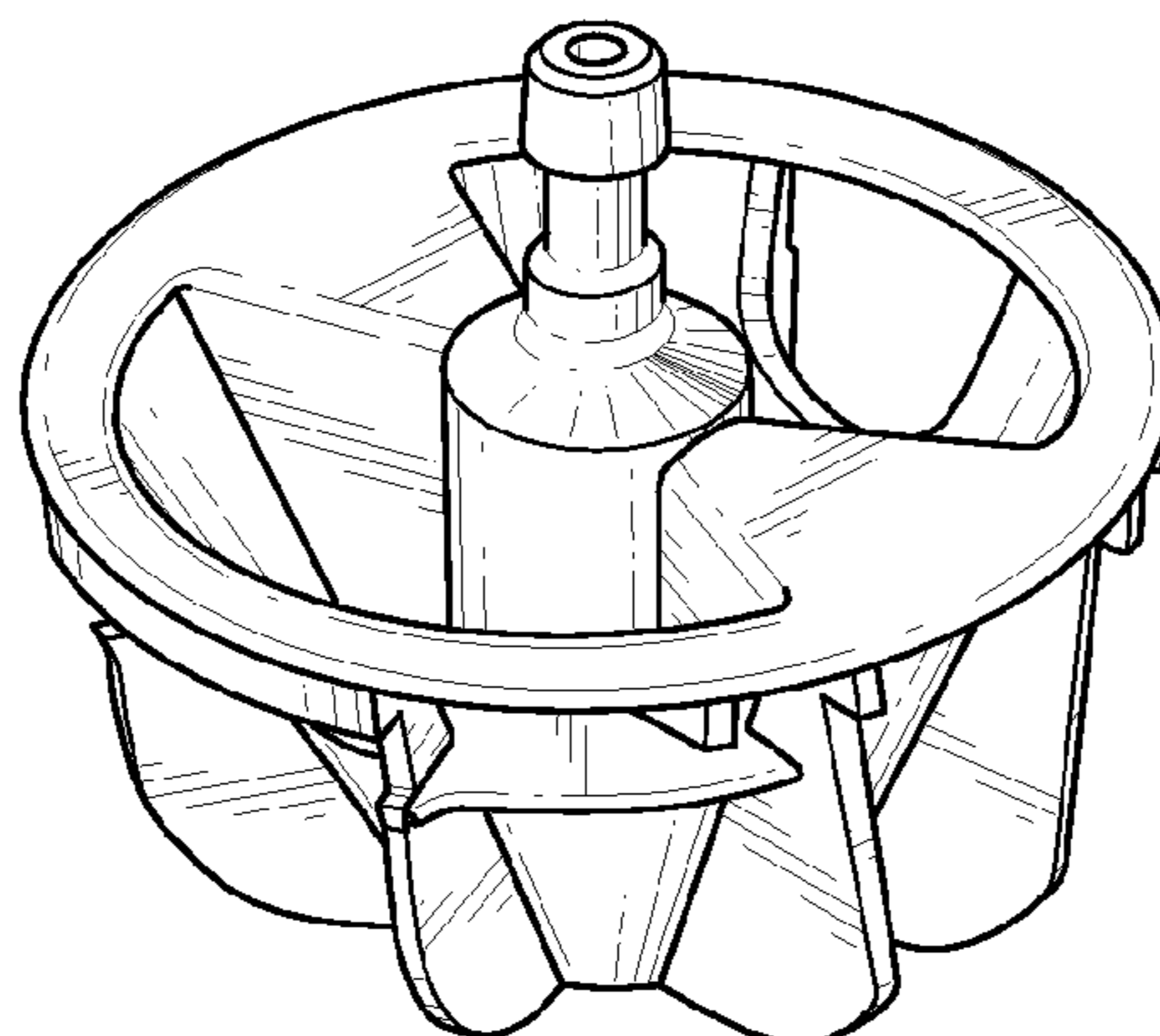
FIG. 13 is a side elevational view thereof, the side opposite being identical thereto;

FIG. 14 is a side elevational view thereof from the left of FIG. 13, the side opposite being identical thereto; and,

FIG. 15 is a top plan view thereof.

The broken-line disclosure in the views is understood to represent portions of the article in which the claimed design is embodied, but which form no part of the claimed design.

1 Claim, 6 Drawing Sheets



US D630,874 S

Page 2

U.S. PATENT DOCUMENTS

D405,305 S 2/1999 Hobgood
D422,819 S 4/2000 Fong
D427,828 S 7/2000 Senecal, Jr.
D509,690 S * 9/2005 Wolpert et al. D6/523
D513,985 S 1/2006 Erdie
D532,229 S * 11/2006 Hoernig et al. D6/523

D555,956 S * 11/2007 Salaker D6/523
7,364,112 B1 4/2008 Formon
D609,948 S * 2/2010 Seehoff et al. D6/518

FOREIGN PATENT DOCUMENTS

WO WO 2008/004920 A1 1/2008

* cited by examiner

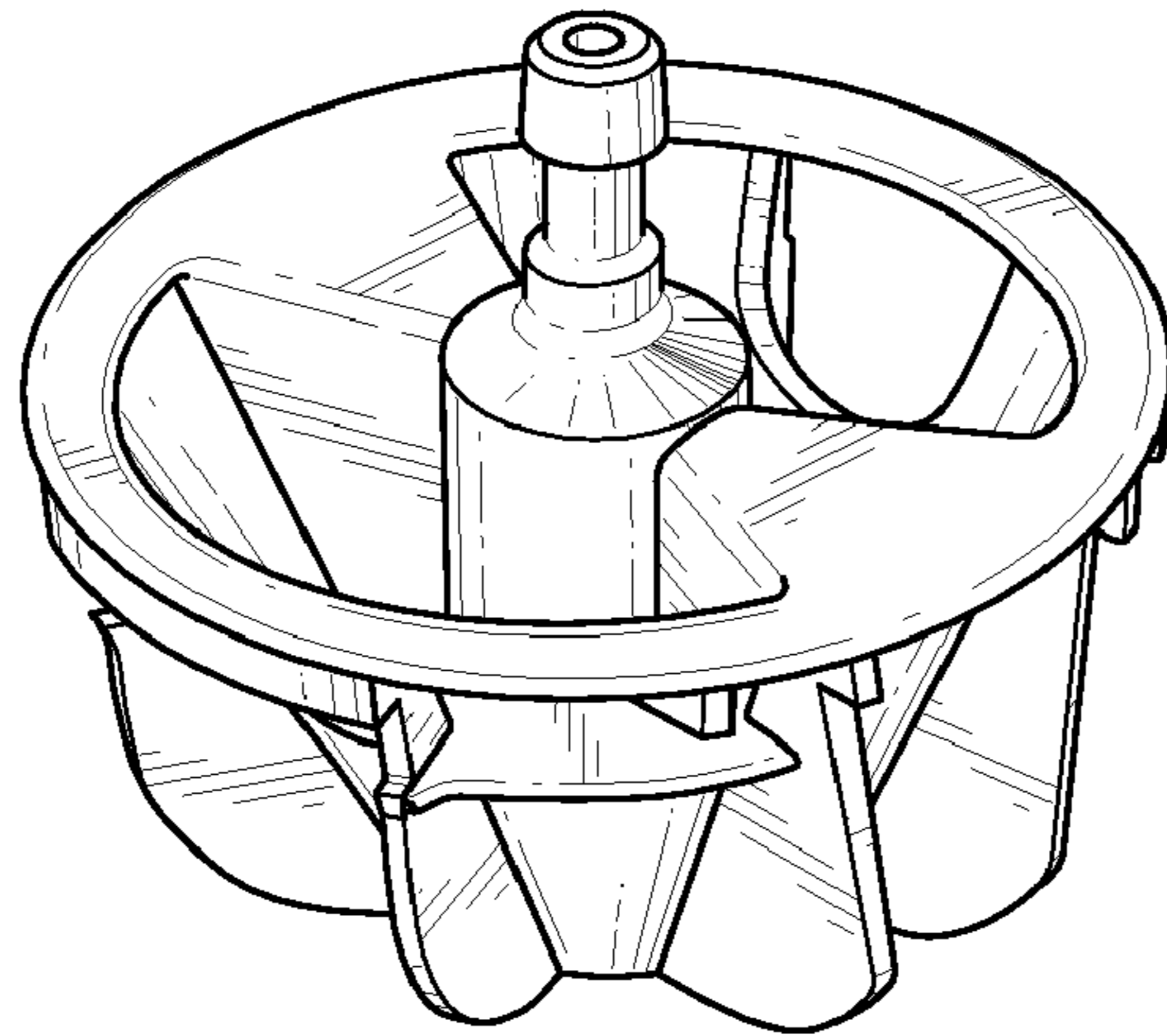


FIG. 1

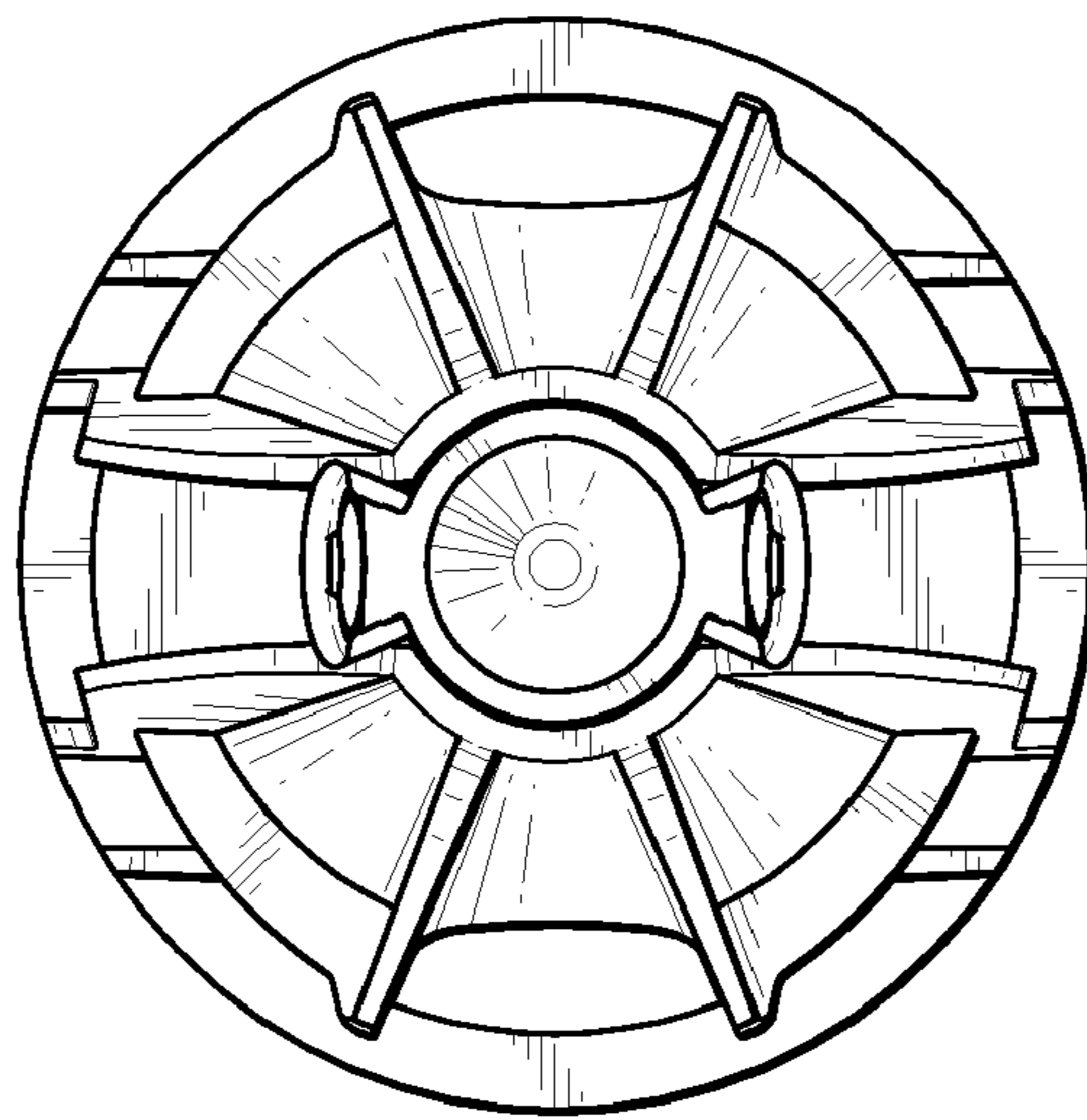


FIG. 2

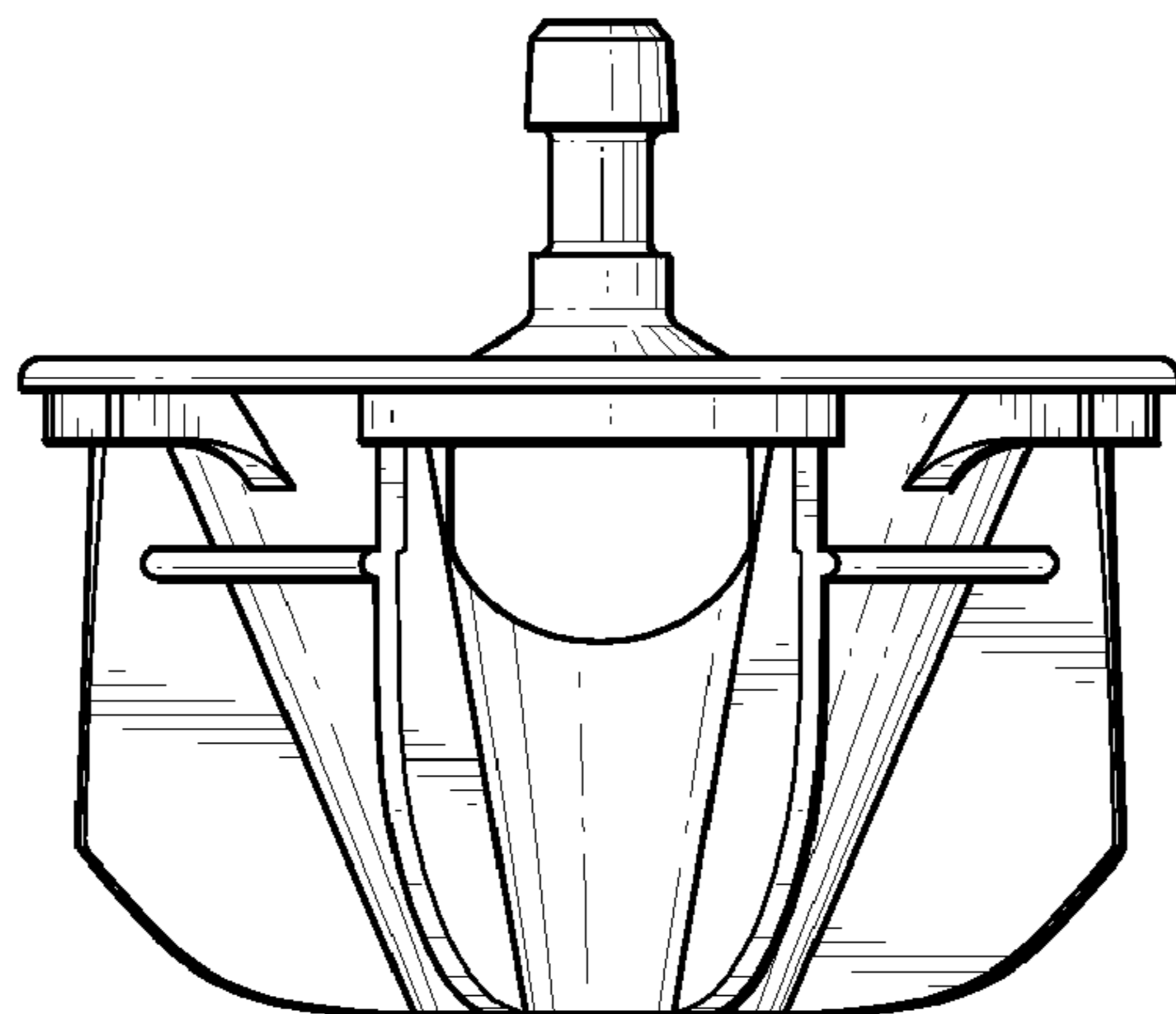


FIG. 3

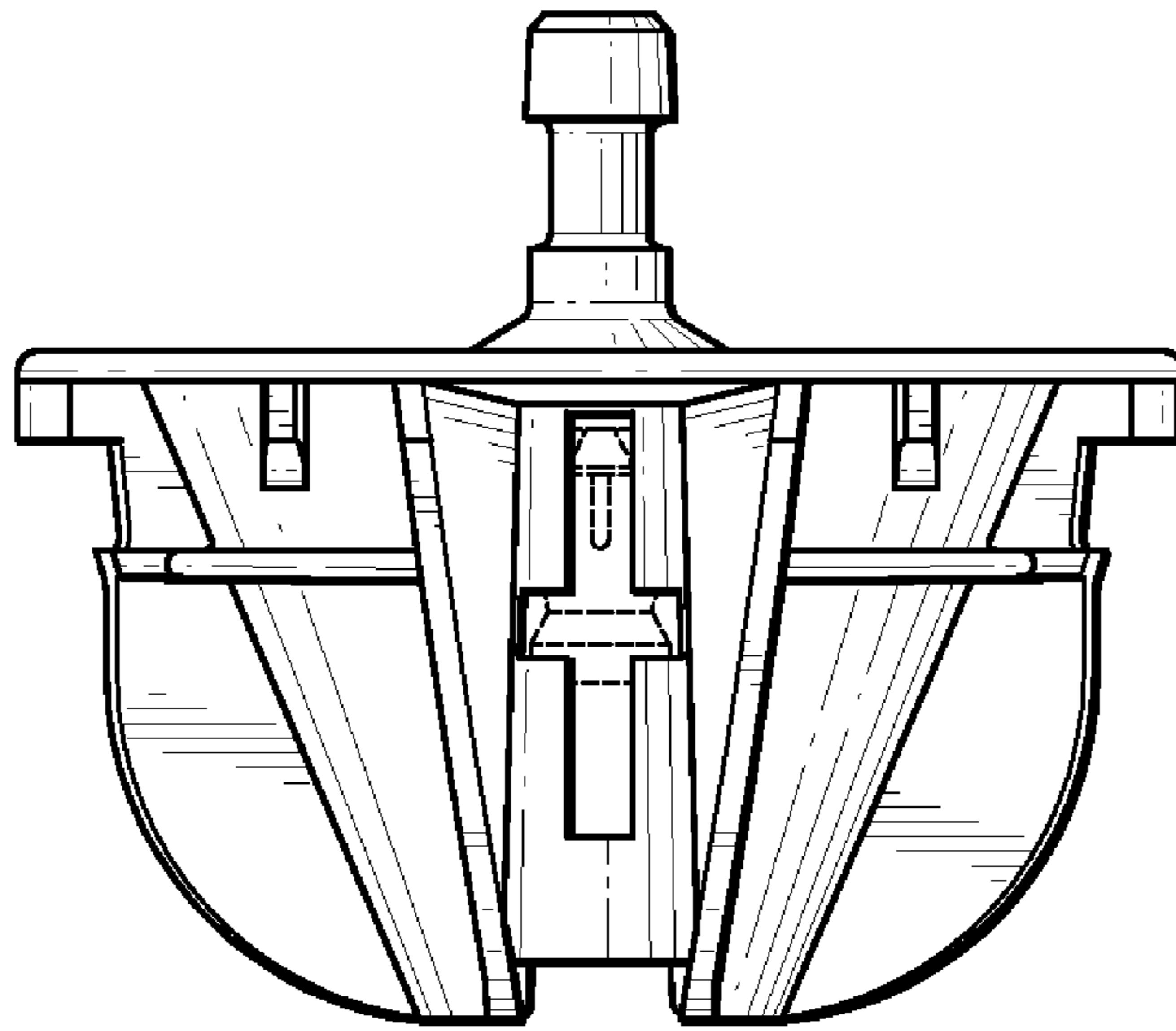


FIG. 4

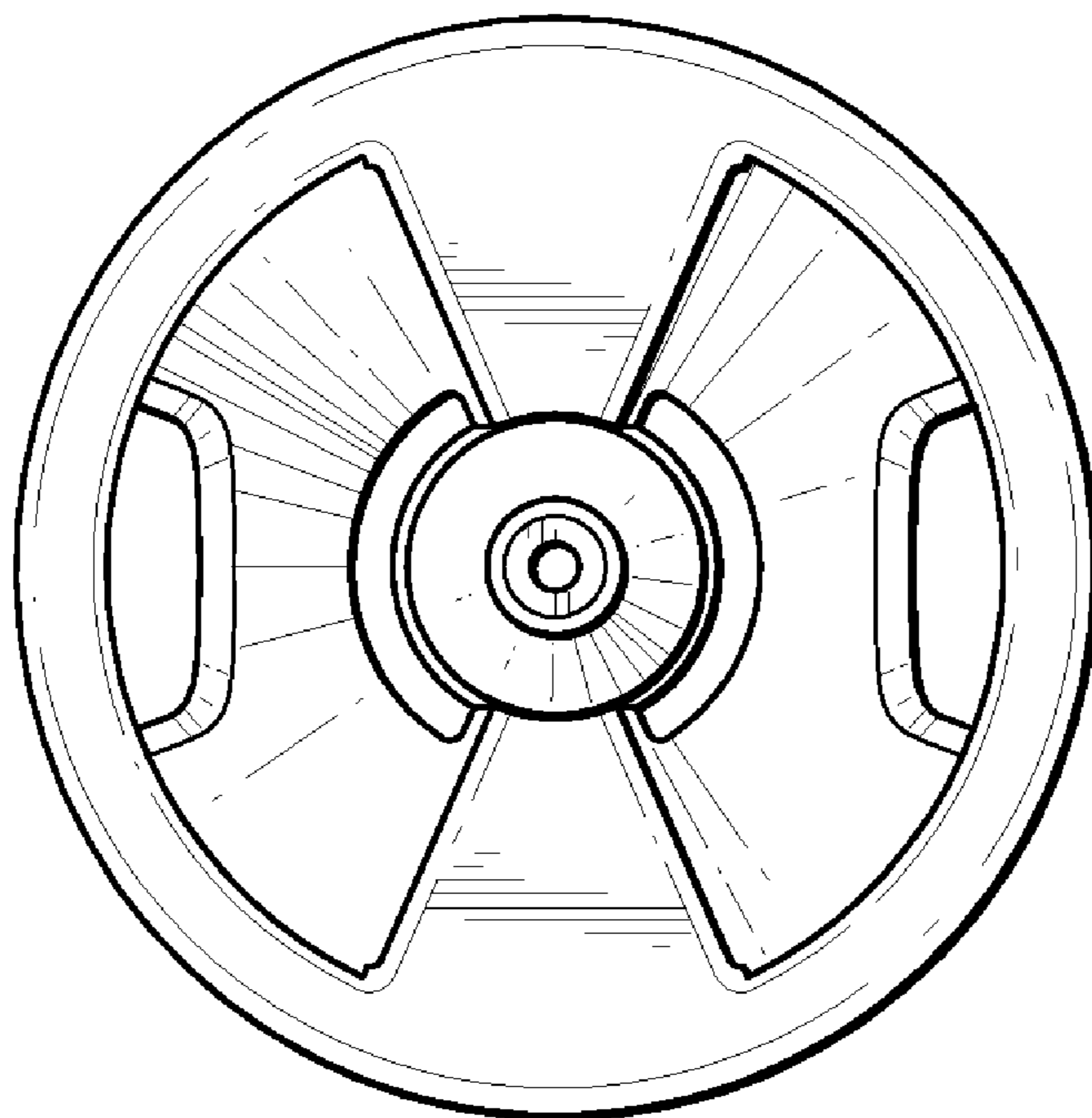


FIG. 5

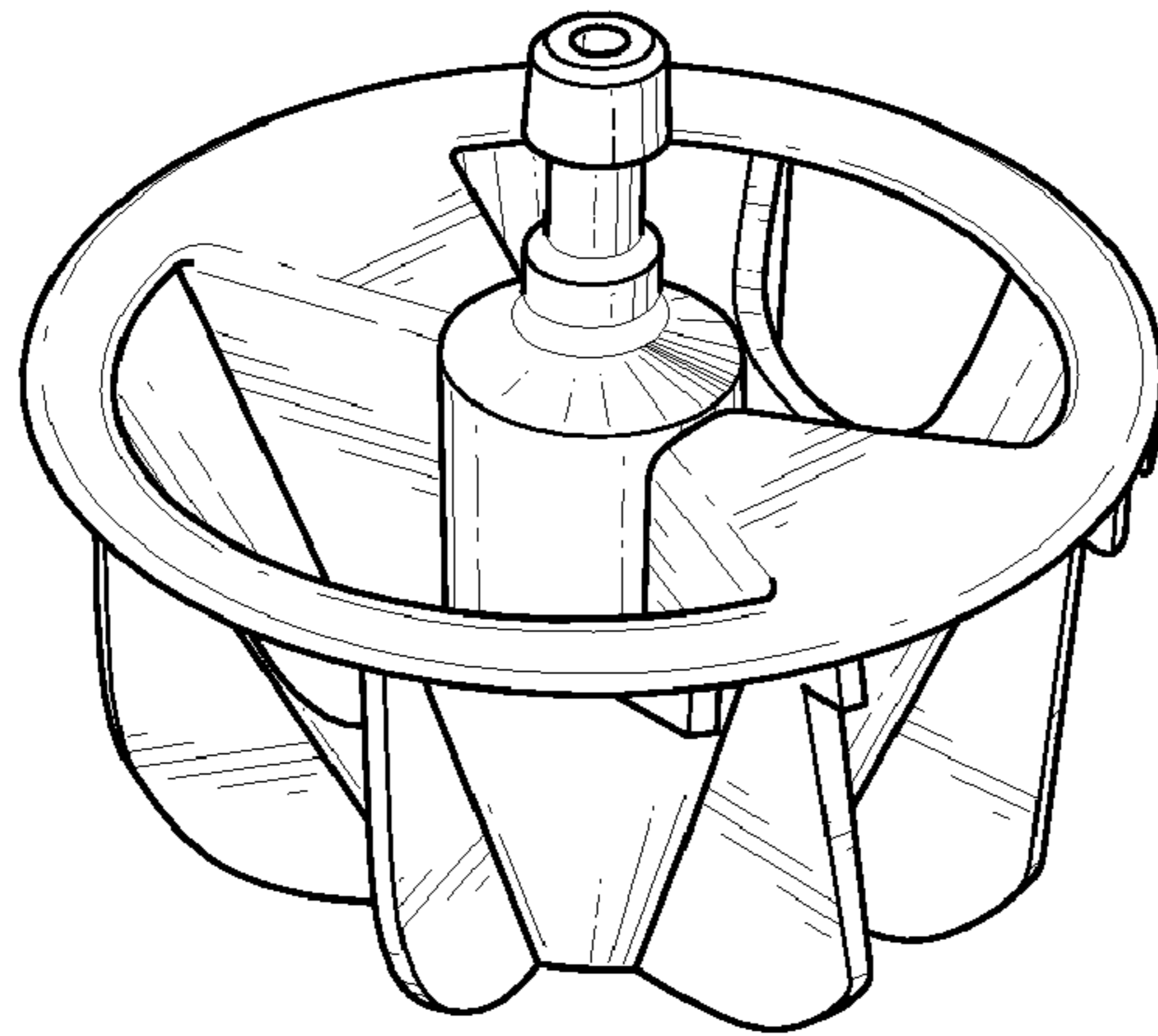


FIG. 6

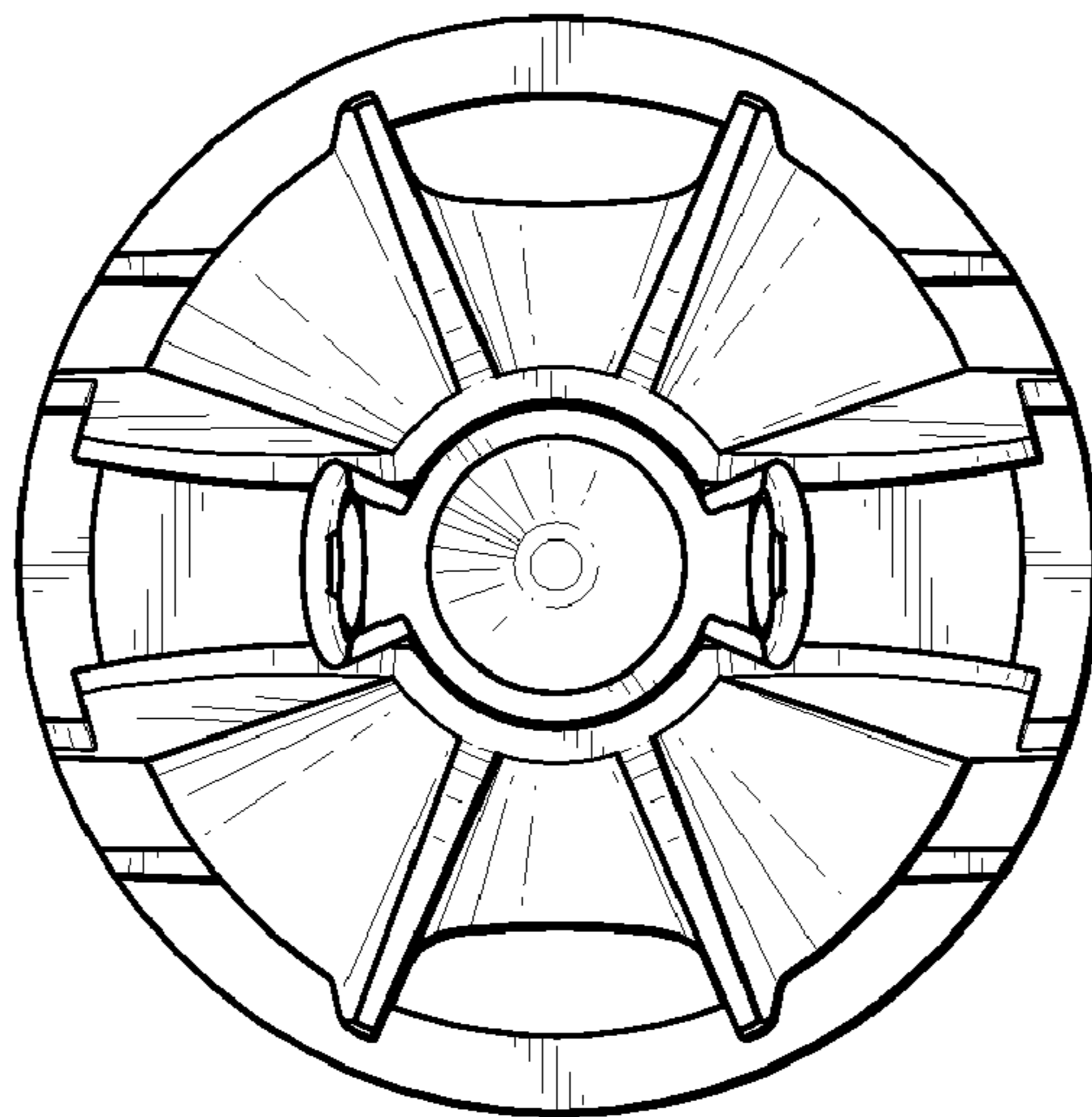


FIG. 7

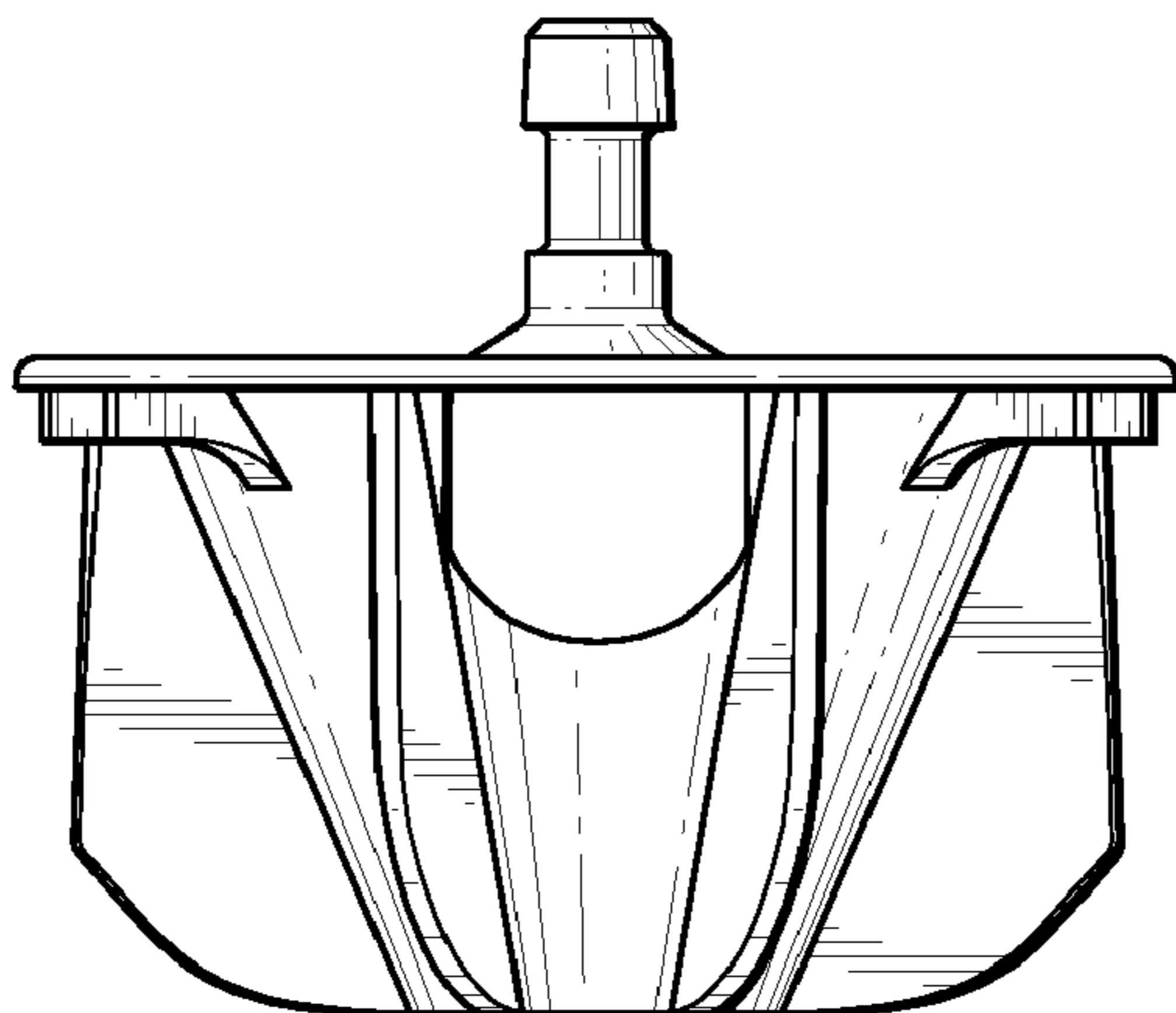


FIG. 8

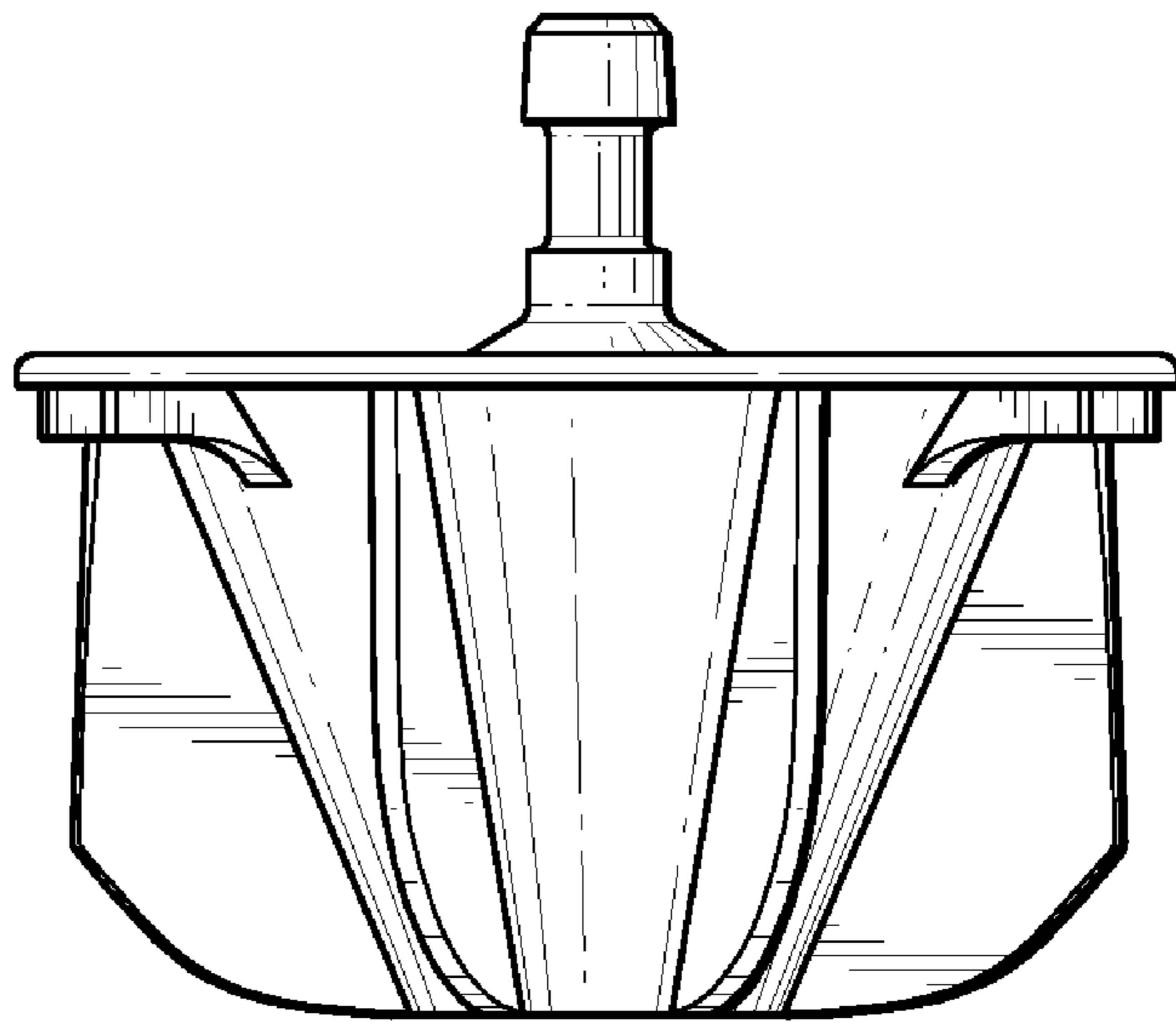


FIG. 9

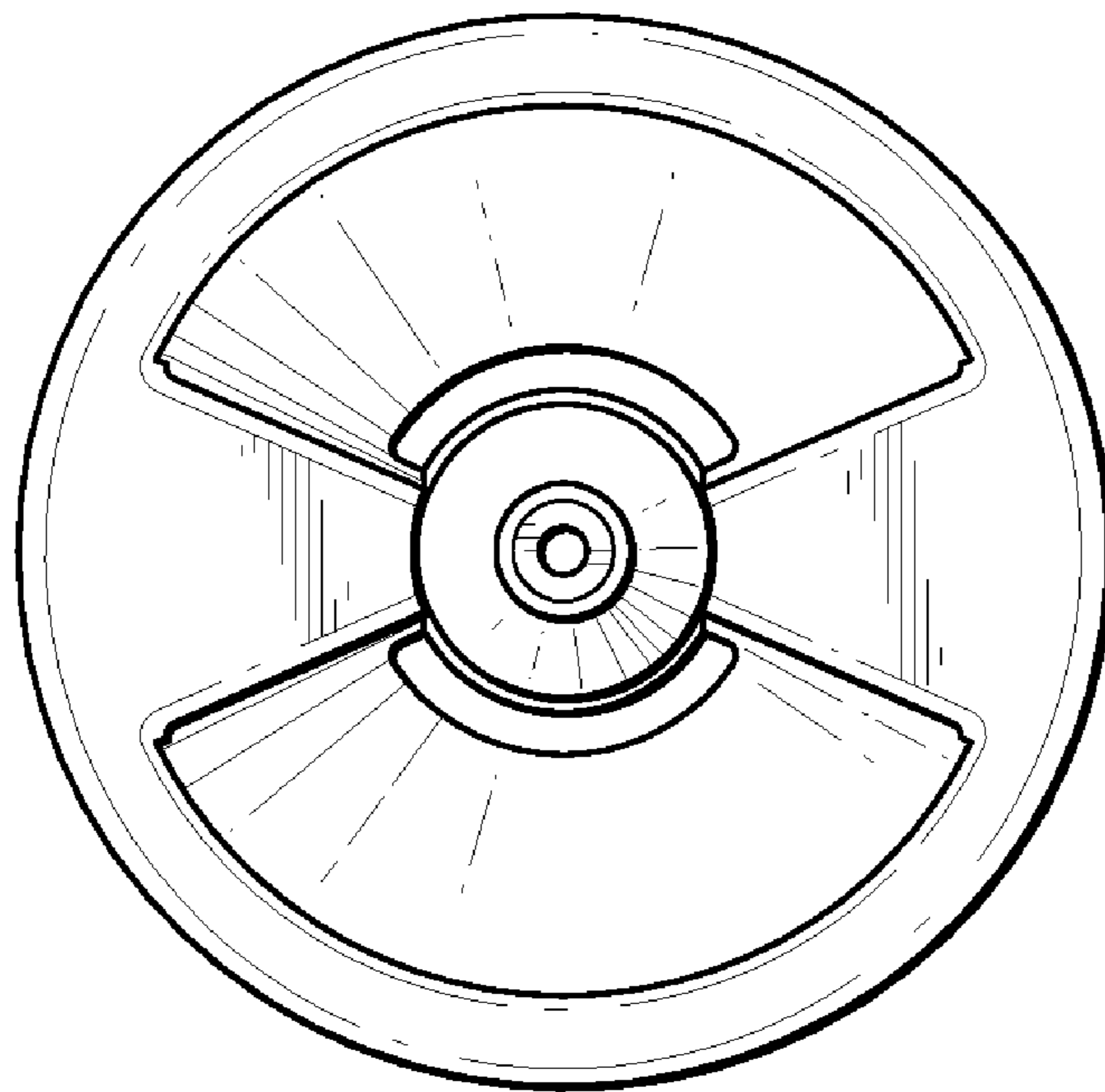


FIG. 10

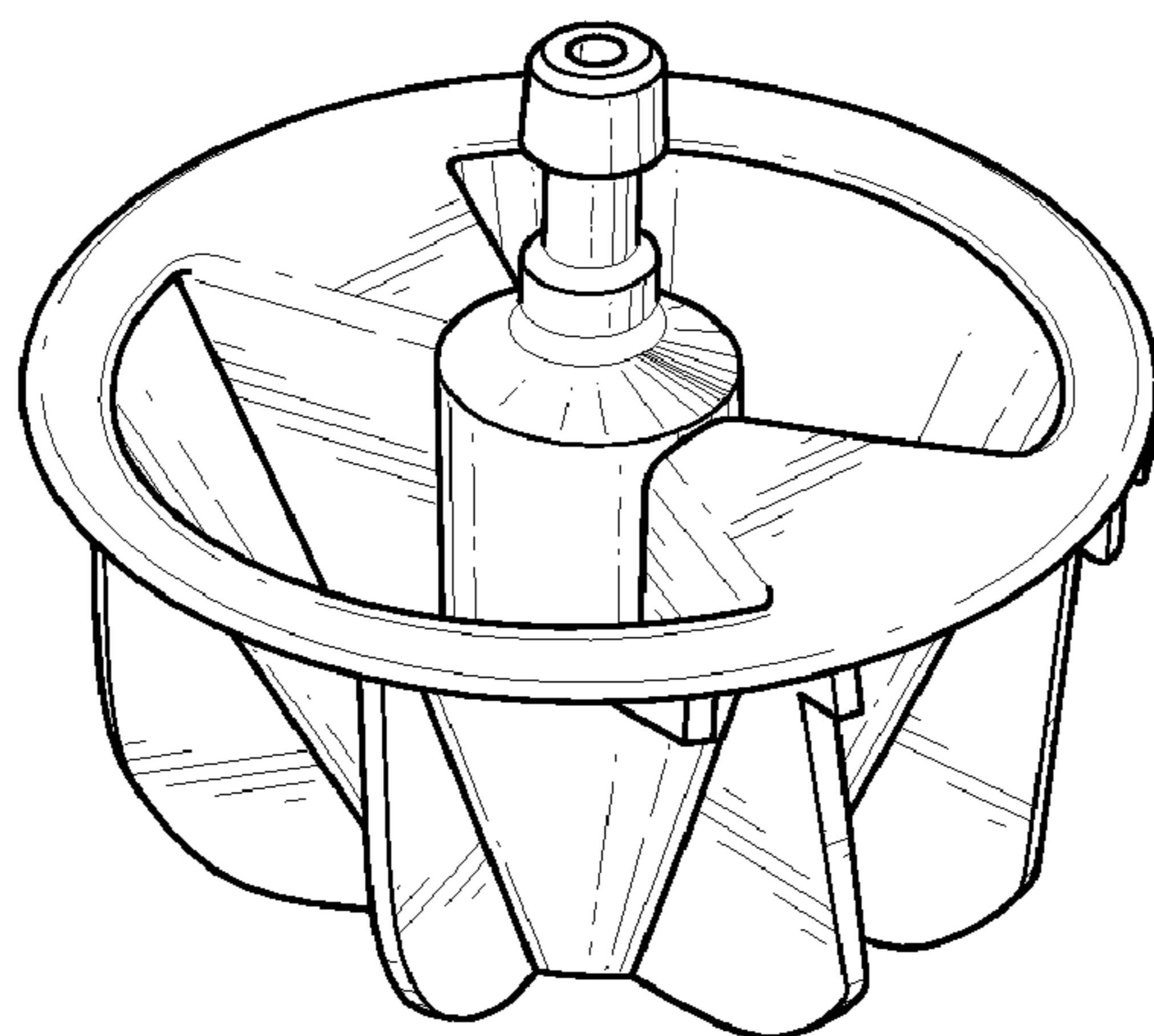


FIG. 11

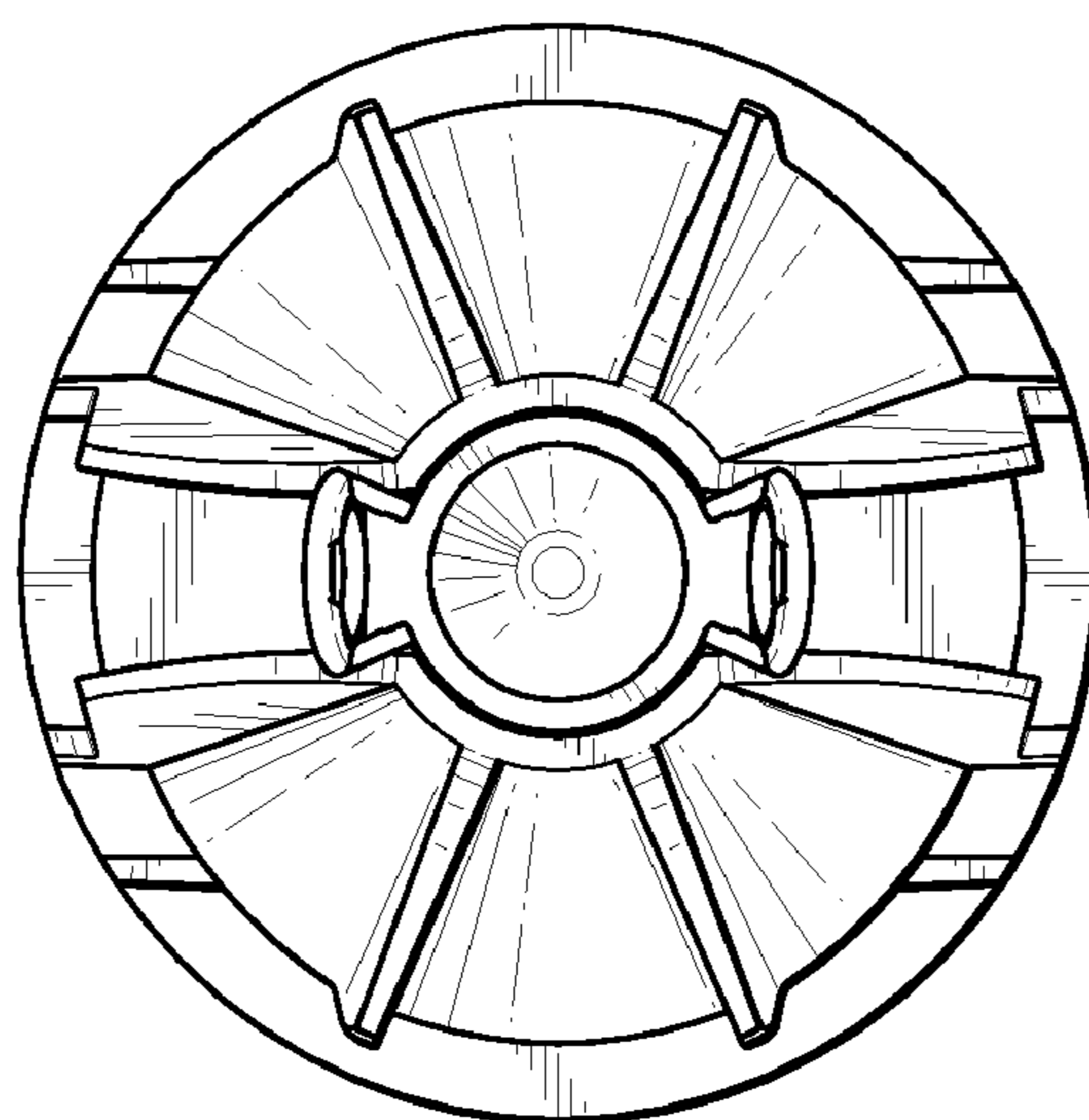


FIG. 12

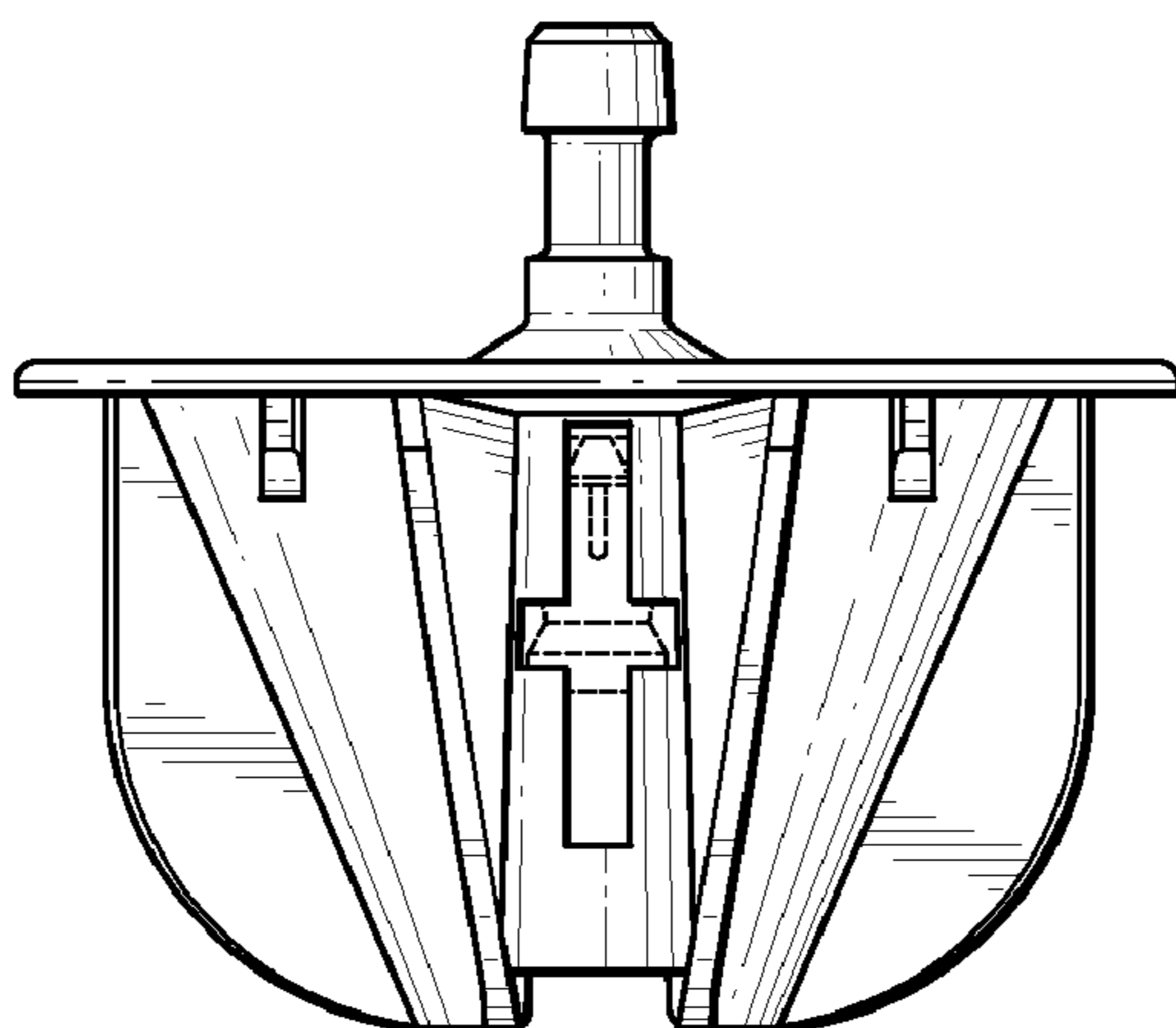


FIG. 13

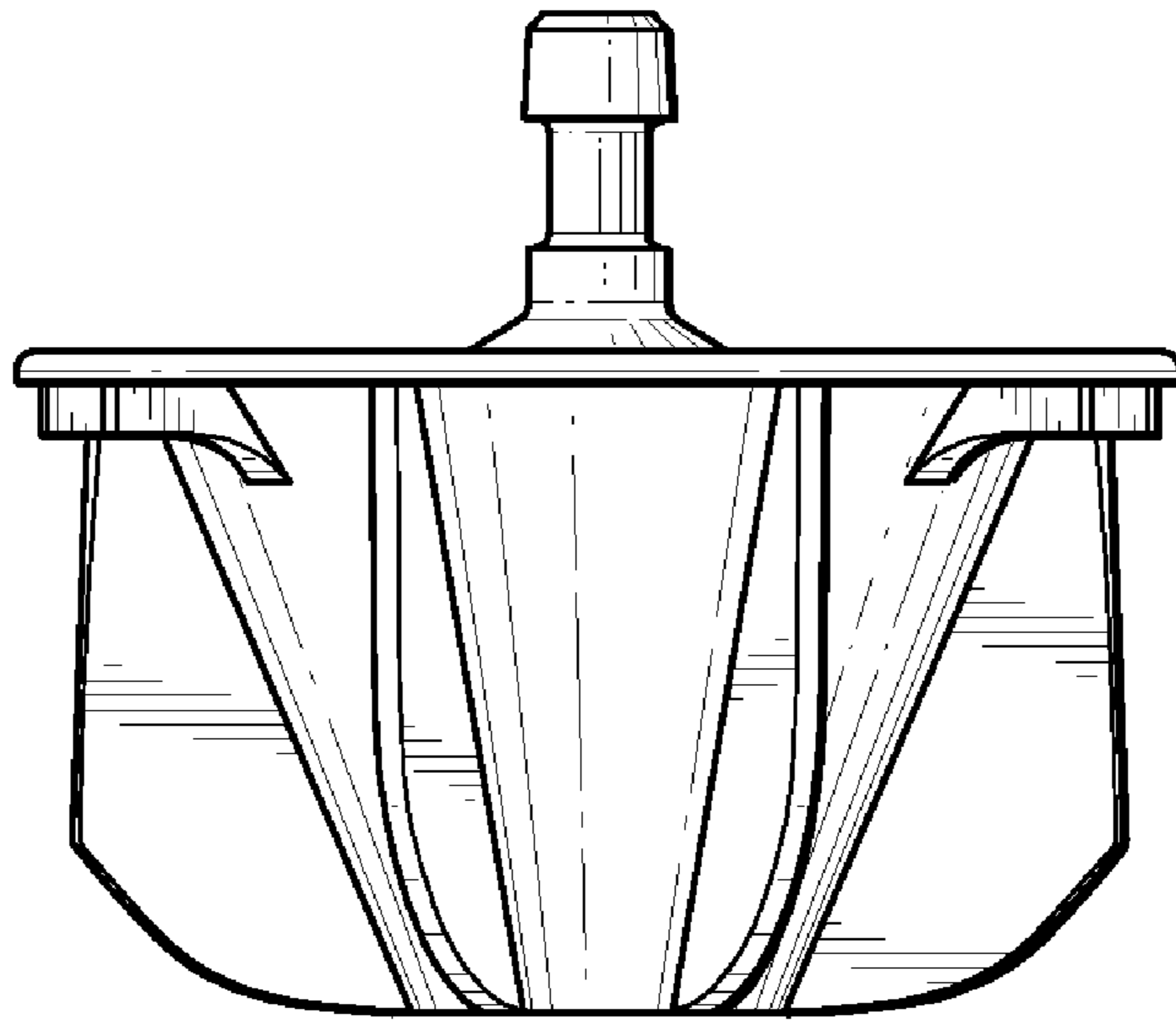


FIG. 14

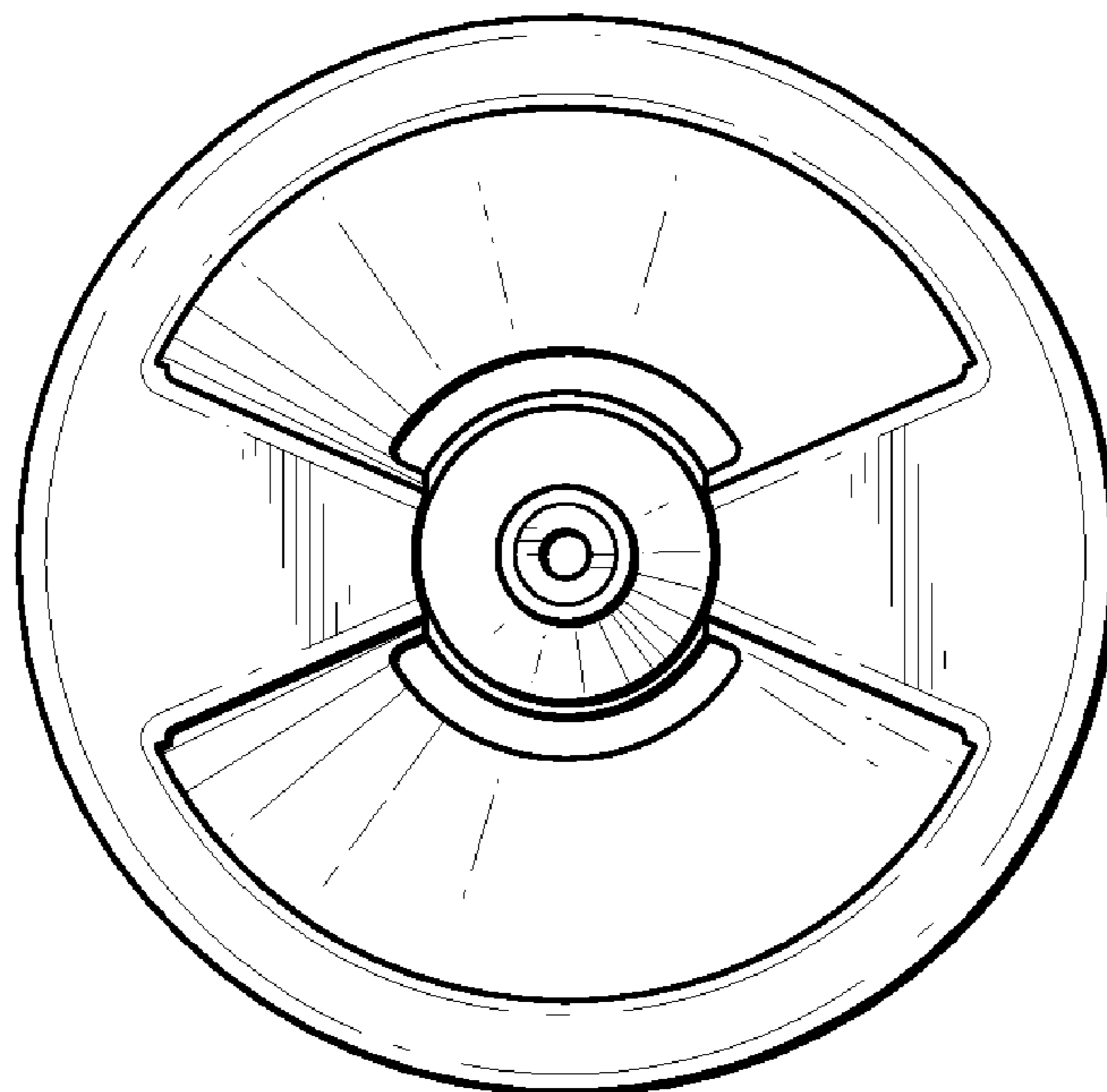


FIG. 15