

US00D630871S

(12) **United States Design Patent**
Sexton

(10) **Patent No.:** **US D630,871 S**
(45) **Date of Patent:** **** Jan. 18, 2011**

(54) **TV MOUNT SYSTEM**

(75) Inventor: **James S. Sexton**, San Ramon, CA (US)

(73) Assignee: **Z-Line Designs, Inc.**, San Ramon, CA (US)

(**) Term: **14 Years**

(21) Appl. No.: **29/366,614**

(22) Filed: **Jul. 27, 2010**

(51) **LOC (9) Cl.** **06-04**

(52) **U.S. Cl.** **D6/477**

(58) **Field of Classification Search** D6/477-479,
D6/474, 460-461, 466, 468, 511; 108/59,
108/91-92, 96; 211/40, 41.12, 42, 49.1,
211/50, 85.2, 187, 190; 312/9.1, 7.2, 107,
312/204, 238

See application file for complete search history.

(56) **References Cited**

U.S. PATENT DOCUMENTS

- D454,731 S * 3/2002 Niitsu D6/479
- D491,385 S 6/2004 Sexton
- D491,750 S * 6/2004 Bertoncini D6/474
- D497,740 S 11/2004 Sexton
- D497,741 S 11/2004 Sexton
- D498,946 S 11/2004 Sexton
- D501,740 S 2/2005 Sexton
- D502,027 S 2/2005 Sexton
- D502,341 S 3/2005 Sexton
- D505,573 S * 5/2005 Malizia D6/474
- D506,329 S 6/2005 Sexton
- D507,128 S * 7/2005 Choo D6/477
- D507,900 S 8/2005 Sexton
- D508,800 S 8/2005 Sexton
- D509,083 S 9/2005 Sexton
- D516,838 S * 3/2006 Portnoy D6/477
- D517,350 S 3/2006 Sexton
- D519,756 S 5/2006 Sexton
- D525,052 S * 7/2006 Malizia D6/474
- D525,054 S * 7/2006 Stenhouse et al. D6/479
- D539,565 S 4/2007 Sexton

- D564,260 S * 3/2008 deCarolis D6/477
- D566,992 S * 4/2008 Ongor D6/479
- D572,944 S 7/2008 Sexton
- D575,557 S 8/2008 Sexton
- D580,684 S 11/2008 Sexton
- D591,089 S 4/2009 Sexton
- D592,428 S * 5/2009 Zambelli D6/477
- D593,776 S 6/2009 Sexton
- D594,001 S 6/2009 Sexton
- D604,962 S * 12/2009 Daud D6/477
- D607,671 S 1/2010 Sexton
- D609,942 S 2/2010 Sexton
- D612,172 S * 3/2010 Portnoy D6/477
- D616,672 S * 6/2010 Sculler et al. D6/477
- D618,015 S 6/2010 Sexton
- D619,828 S * 7/2010 Connor et al. D6/477
- D620,285 S * 7/2010 Sculler et al. D6/477

* cited by examiner

Primary Examiner—Elizabeth A Albert

Assistant Examiner—Kelley A Donnelly

(74) *Attorney, Agent, or Firm*—Townsend and Townsend and Crew LLP

(57) **CLAIM**

The ornamental design for a TV mount system, as shown and described.

DESCRIPTION

FIG. 1 is a perspective view of a TV mount stand showing my new design;

FIG. 2 is a front elevational view thereof;

FIG. 3 is a rear elevational view thereof;

FIG. 4 is a right side elevational view thereof;

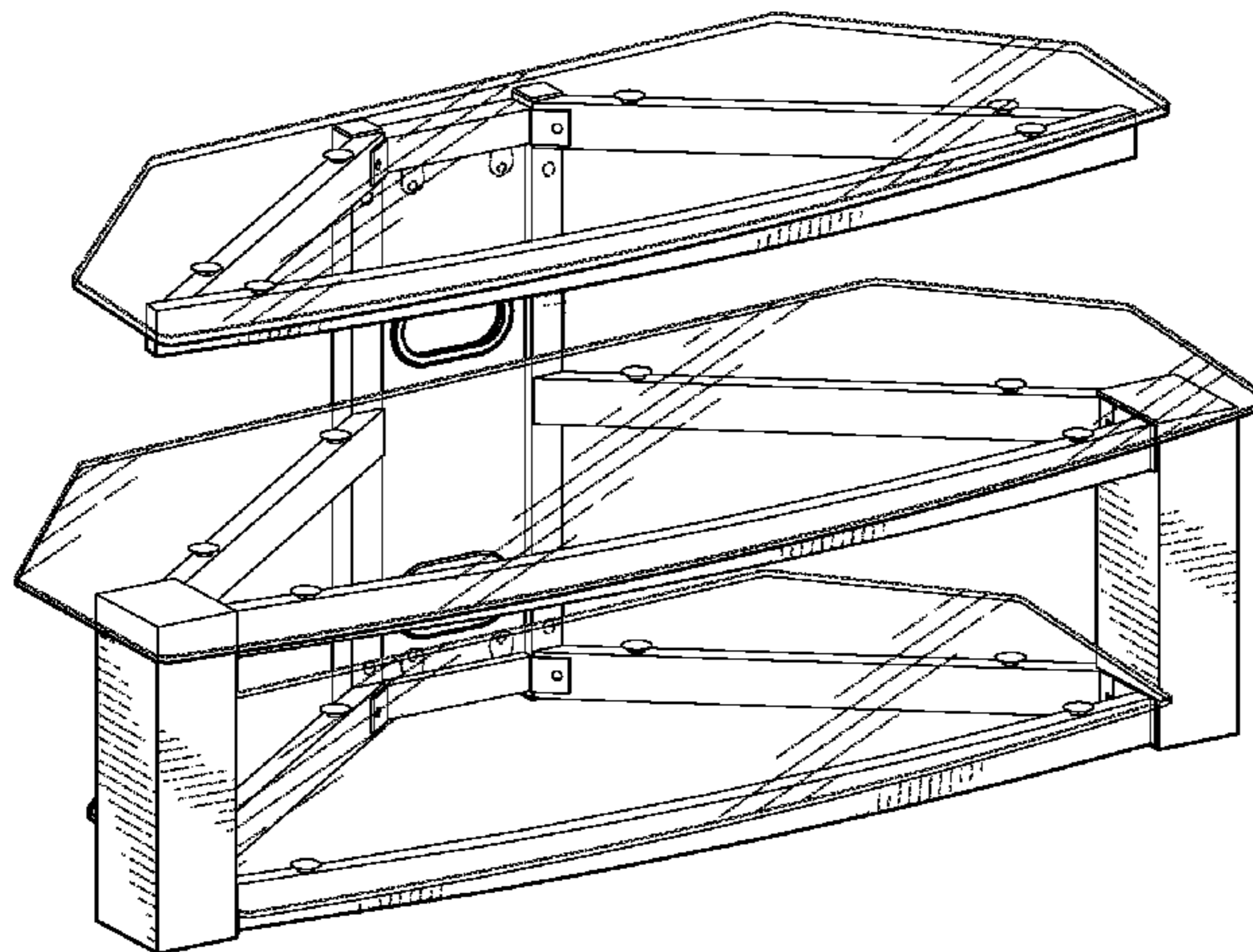
FIG. 5 is a left side elevational view thereof;

FIG. 6 is a top plan view thereof; and,

FIG. 7 is a bottom plan view thereof.

The broken lines are for the purpose of illustrating the environment of the design only and form no part of the claimed design.

1 Claim, 4 Drawing Sheets



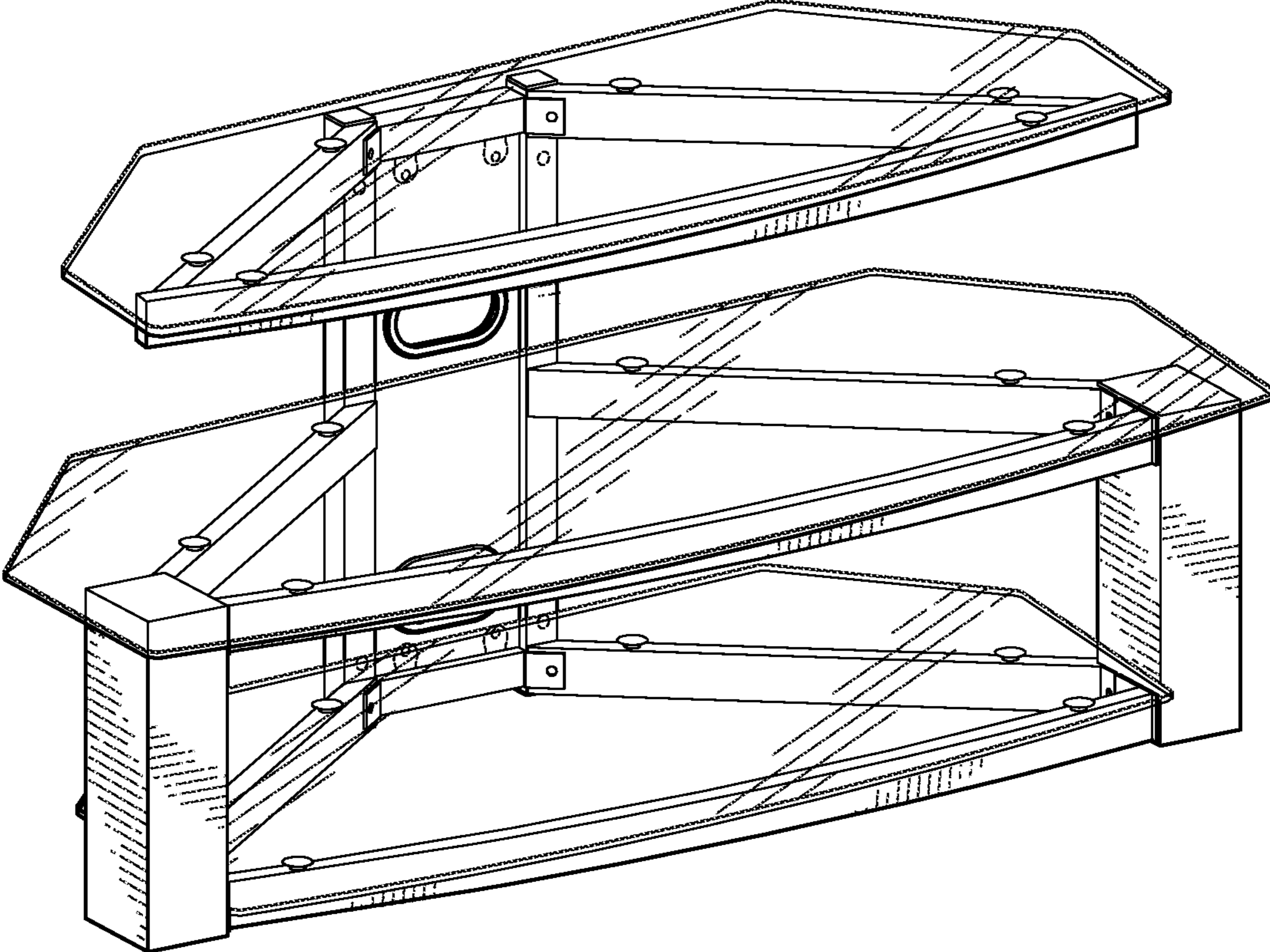


FIG. 1

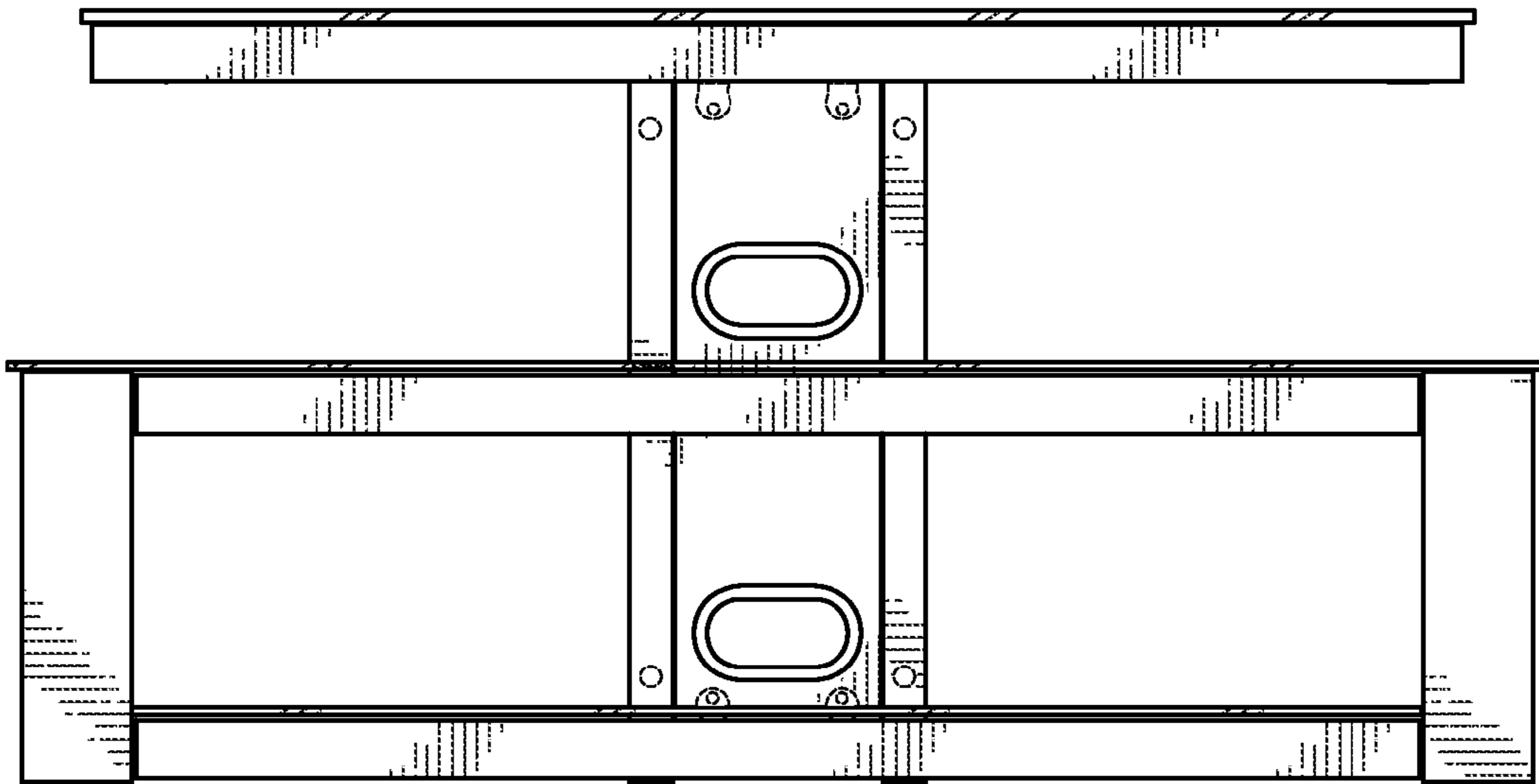


FIG. 2

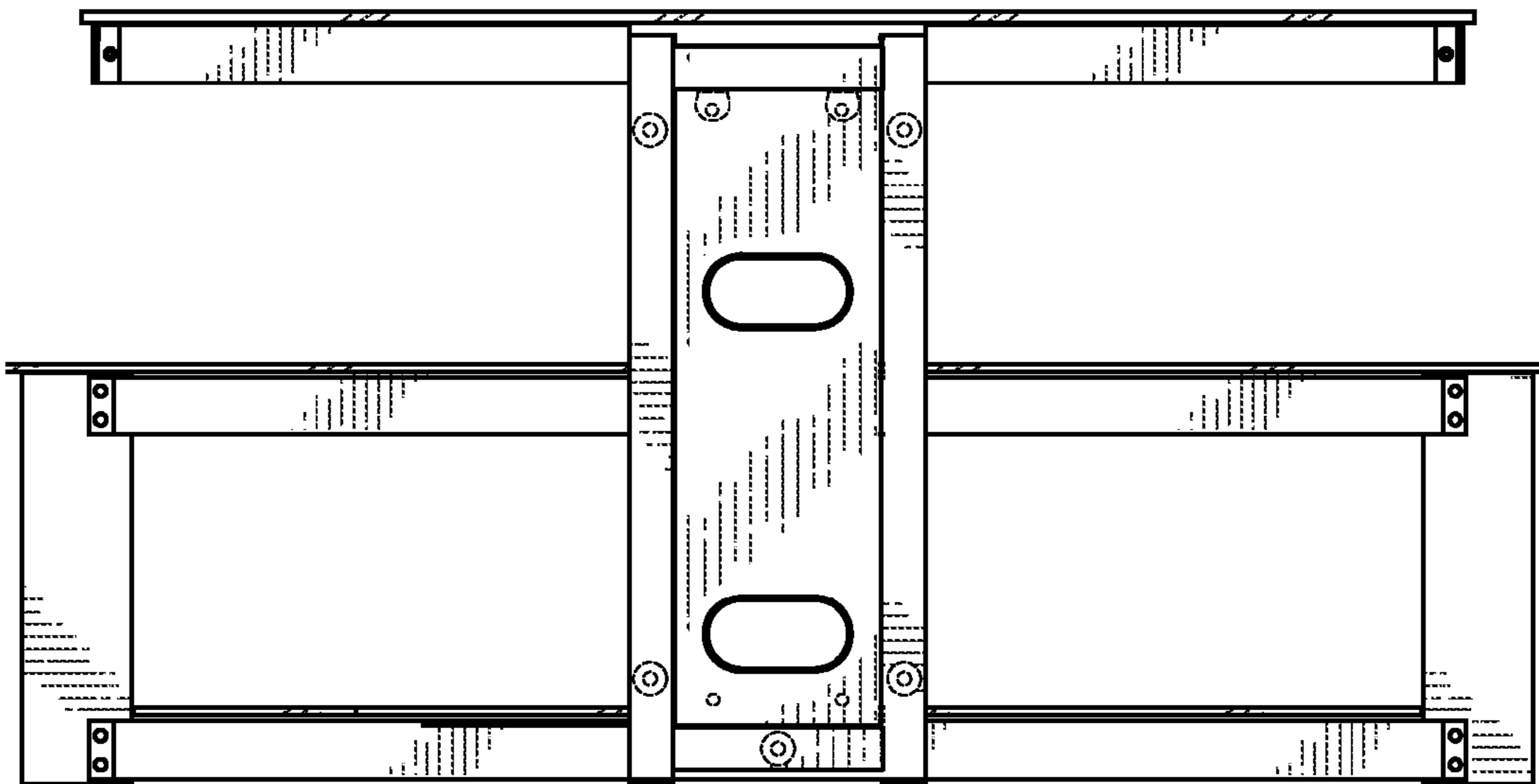


FIG. 3

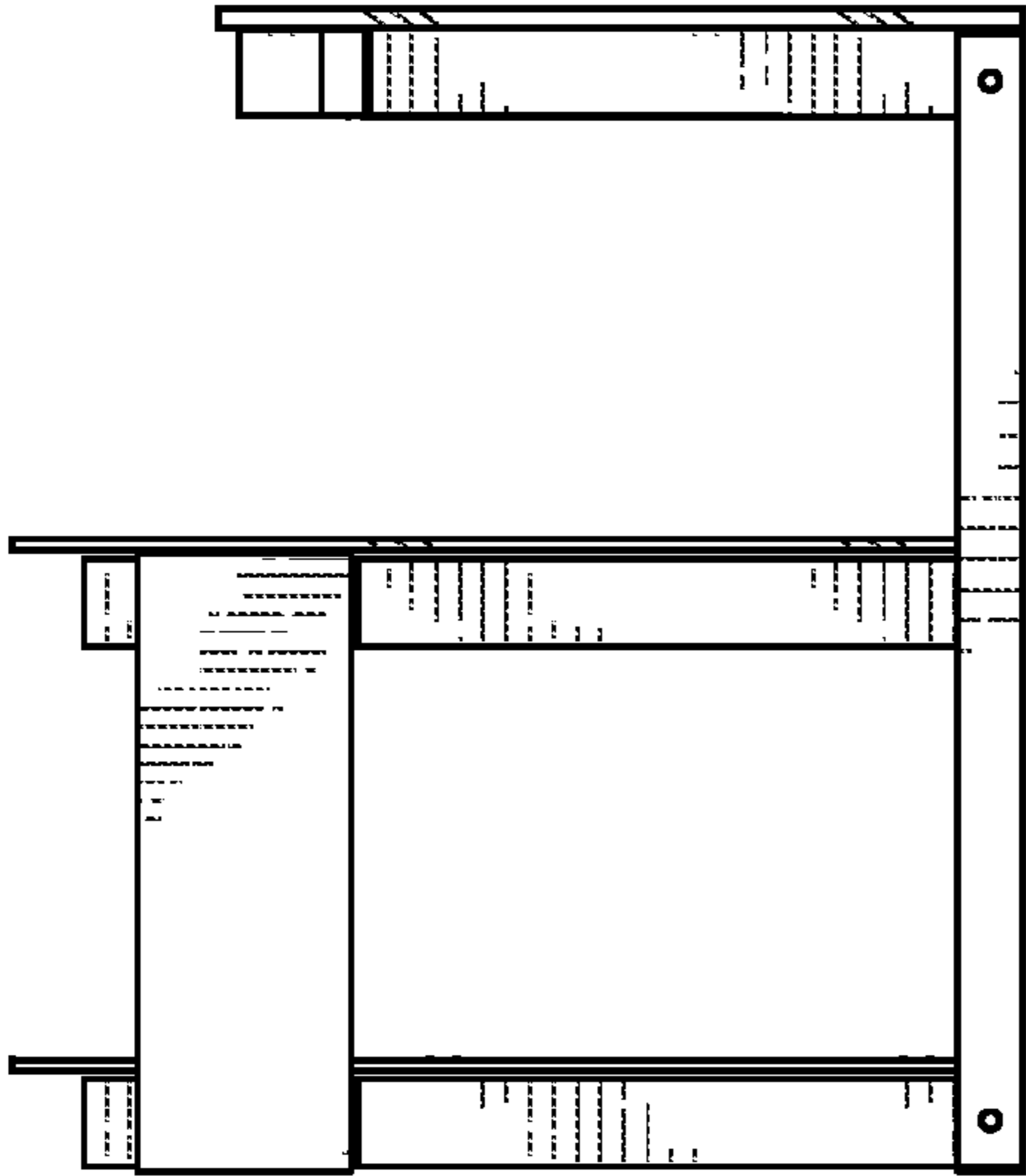


FIG. 4

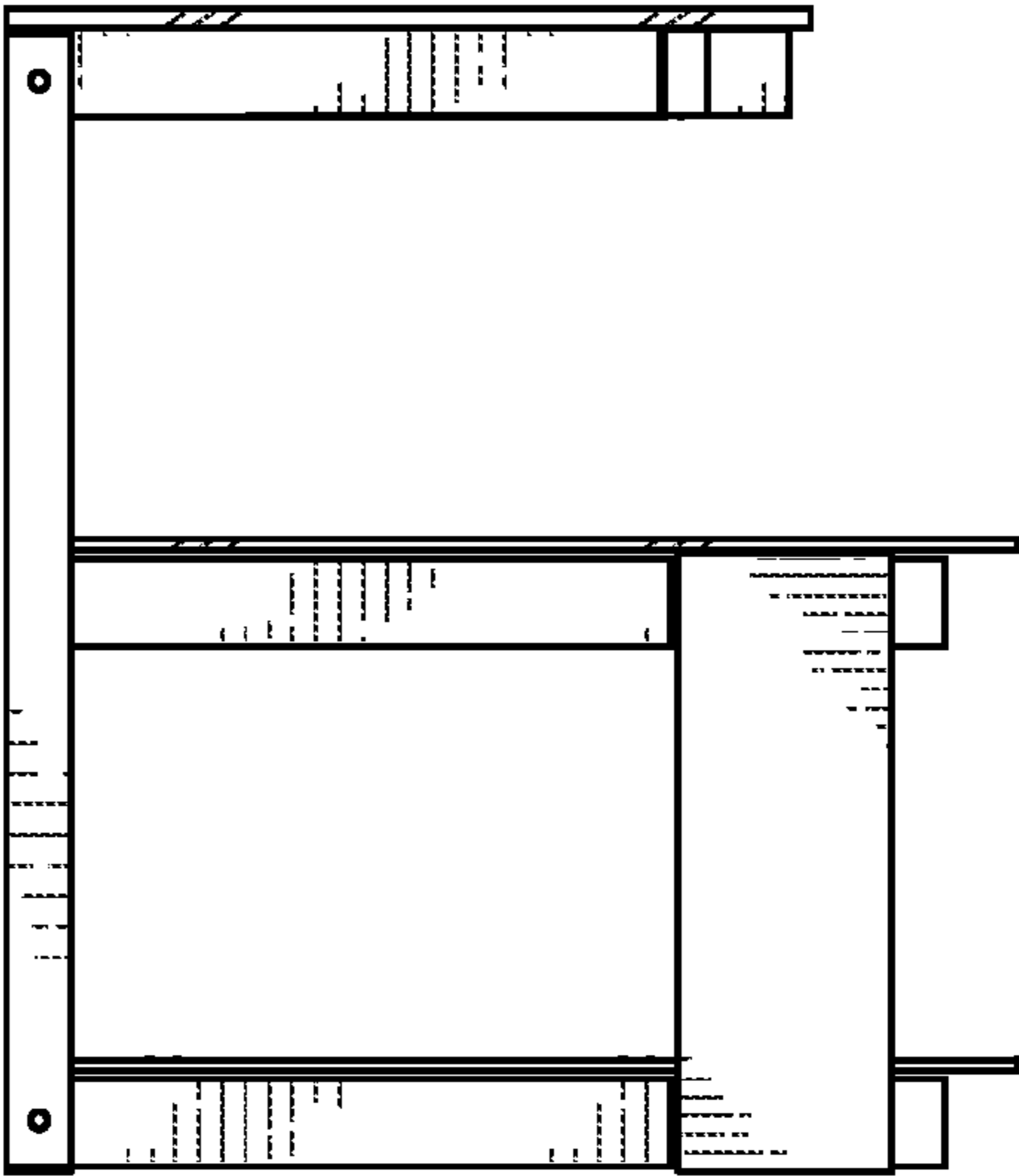


FIG. 5

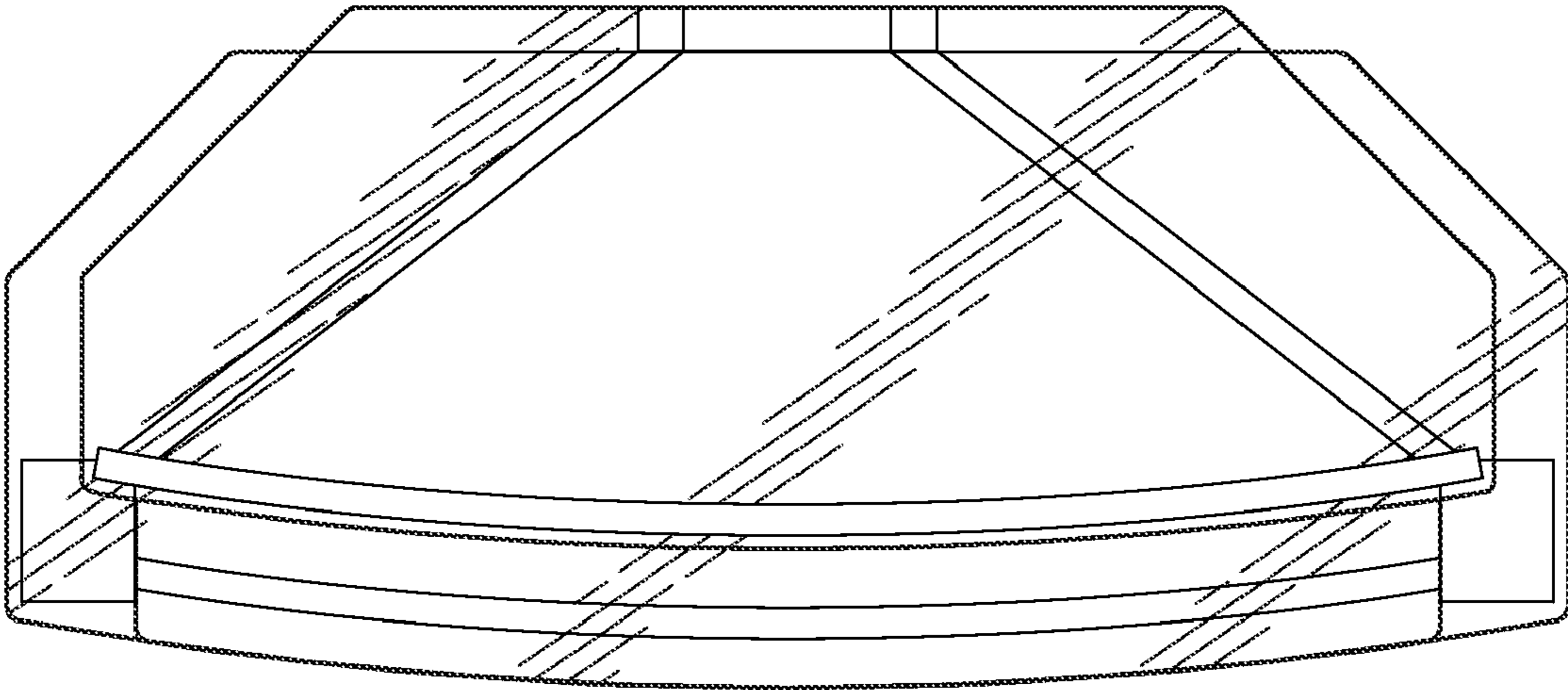


FIG. 6

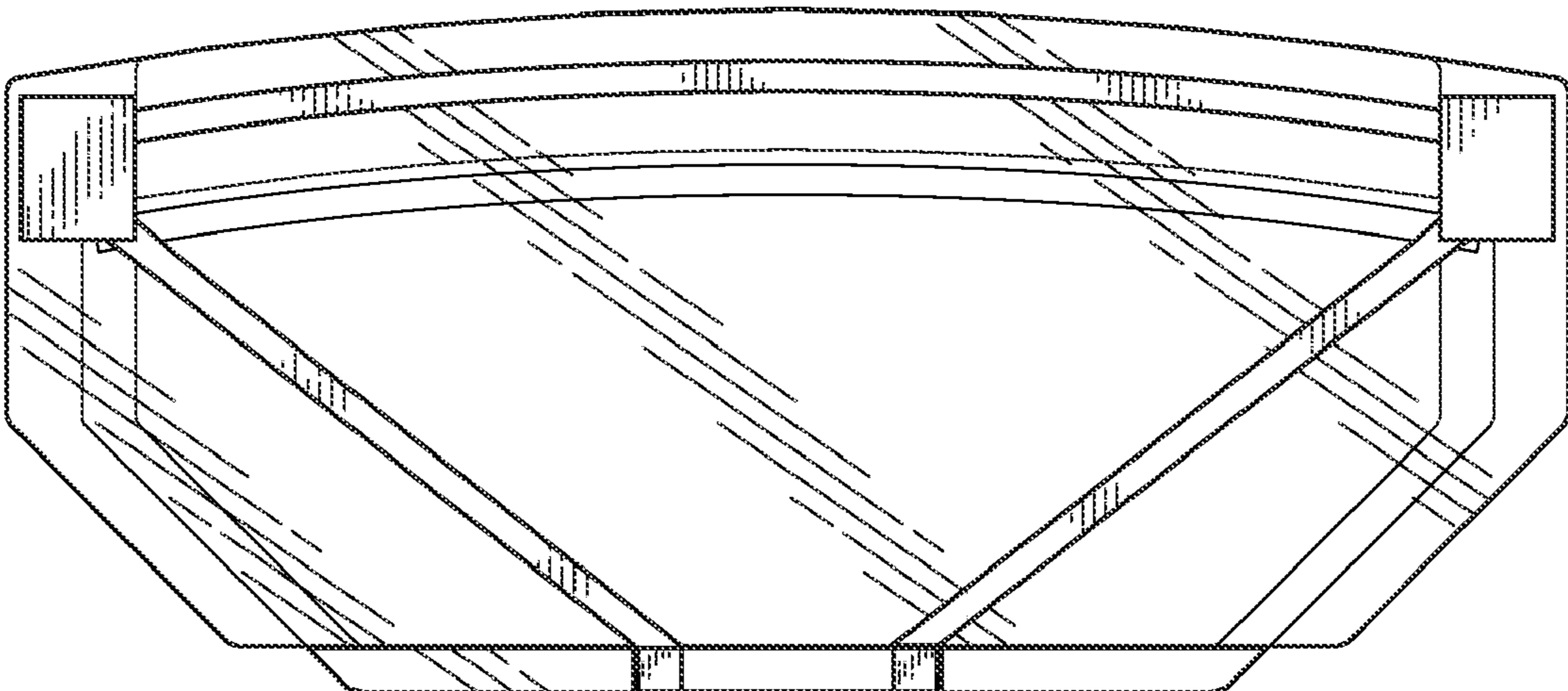


FIG. 7